



**VF1200 & VF1700**

WOOD STOVES & WOOD FIREPLACE INSERT

**VISTAFLAME**   
HEARTH PRODUCTS



VF 1700 Wood Fireplace Insert

## Specifications

	1200 FS	1700 FS	1700 FPI
Heat Output*	67,000 BTU	74,000 BTU	74,000 BTU
Heating Area	2,200 ft <sup>2</sup>	3,000 ft <sup>2</sup>	3,000 ft <sup>2</sup>
Burn Times	6–10 hours	8–12 hours	8–12 hours
Maximum Log Size	18"	20"	20"
Efficiency	82.6%	84.7%	84.7%
EPA Emissions per hour	3.3 g	4.5 g	4.5 g
Glass Size	177 in <sup>2</sup>	177 in <sup>2</sup>	177 in <sup>2</sup>
Firebox Capacity	1.85 cu ft	2.5 cu ft	2.5 cu ft
Variable Speed Fan	150 CFM	150 CFM	150 CFM

\* Output based on seasoned cord wood

## Clearance to Combustibles

(single wall / double wall / double wall with heat shield)

Side of wall to unit	13" / 13" / 13"	20" / 13" / 13"	10"
Rear wall to back of unit	11" / 10" / 8"	12" / 10" / 7"	—
Adjacent wall to corner	6" / 8" / 6.5"	10" / 8.5" / 6"	—
Floor to an 8" wide mantle	—	—	24"
Top to max ¾ combustibile facing	—	—	19.5"

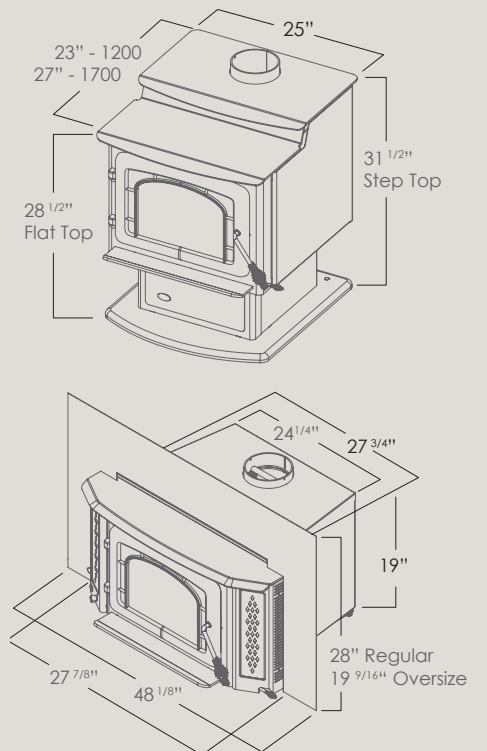
\* Figures vary considerably with floor plan, house layout and heat loss of house. product appearances and specifications are subject to change without notice. Efficiency and area heated will vary according to location and fuel.

## Features

- **Clean Burning** – EPA tested as low as 3.3 g/hr.
- **Twin pilot injection ports** – Tuned to deliver a fast start-up.
- **Air Wash** – Ultra strong air wash helps to keep the glass clean.
- **Up to 20" log length** – Loaded North/South on a 1700 firebox.
- **Convection Heat** – The optional convection fan moves the heat further into your home.
- **Easy-to-use air control** – Adjusts the heat output and regulates the fire

## Options

- **Step Top / Flat Top** – VF1700 Freestanding Configuration
- **Pedestal / Legs** – Choose a pedestal or legs for your Freestanding wood Stove
- **Filigree Door** – Painted black & brushed nickel.
- **FS Fan Kit** – Standard on FPI.
- **Fresh Air Kit** – Available for FS and FPI.
- **Oversize Panel** – Available for the FPI.



More detailed measurements available in product manual



Manufactured by Sherwood Industries Ltd  
Victoria, BC, Canada • [vistafllame.ca](http://vistafllame.ca)

Printed in Canada, January 2013