

OWNER'S MANUAL

PEDESTAL PLATE HEATER



MODEL
APS1100B



US ENVIRONMENTAL PROTECTION
AGENCY PHASE II CERTIFIED
WOODSTOVE

TESTED TO
UL 1482

Please read this entire manual before you install and use your new room heater. Failure to follow these instructions may result in property damage, bodily injury, or even death. Improper installation could void your warranty.

SAFETY NOTICE:

If this heater is not properly installed, a house fire may result. For your safety, follow the installation instructions. Contract local building or fire officials about restrictions and installation requirements in your area.

**DO NOT USE THIS HEATER
IN A MOBILE HOME OR TRAILER**

SAVE THIS MANUAL FOR FUTURE REFERENCE

THIS MANUAL WILL HELP YOU TO OBTAIN EFFICIENT, DEPENDABLE SERVICE FROM THE HEATER, AND ENABLE YOU TO ORDER REPAIR PARTS CORRECTLY. KEEP IN A SAFE PLACE FOR FUTURE REFERENCE.

Manufactured By:
Qingdao Hichanse Group Co., LTD
168 Wenhua Road, Jimo
Qingdao, China



Distributed By:
UNITED STATES STOVE COMPANY
227 Industrial Park Road
P.O. Box 151
South Pittsburg, TN 37380

Pt. No.: 851684

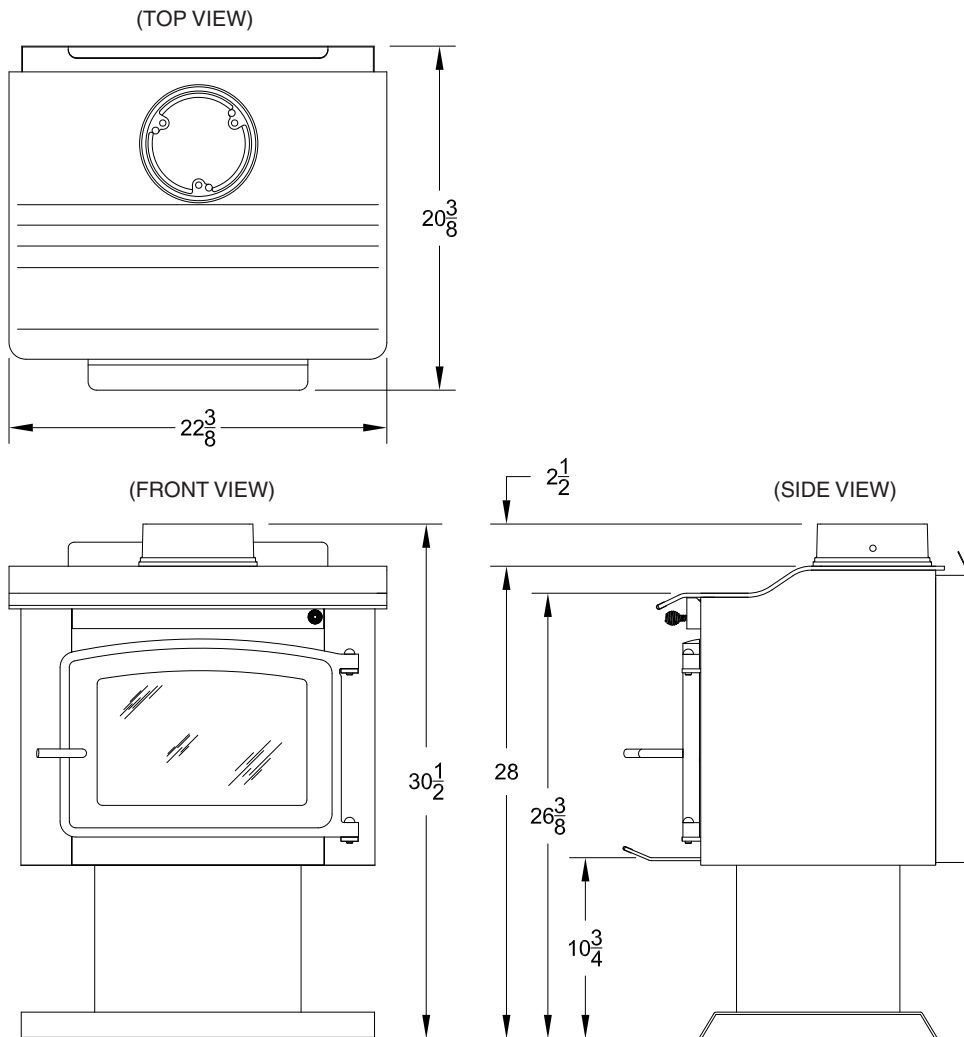
CONGRATULATIONS!

You've purchased a heater from North America's oldest manufacturer of wood burning products.

By heating with wood you're helping to CONSERVE ENERGY!

Wood is our only Renewable Energy Resource. Please do your part to preserve our wood supply. Plant at least one tree each year. Future generations will thank you.

Dimensions



SAFETY RULES

SAFETY NOTICE: If this heater is not properly installed a house fire may result. For your safety, follow the installation directions. Contact local building or fire officials about restrictions and installation inspection requirements in your area.

Read these rules and the instructions carefully.

1. Check with local codes. The installation comply with their rulings. Observe closely the clearances to combustibles.
2. Do not install this heater in a mobile home or trailer.
3. DO NOT connect a wood burning heater to an aluminum Type B gas vent. This is not safe and is prohibited by the National Fire Protection Association Code and Canadian Standards.
4. Always connect this heater to a chimney and vent to the outside. Never vent to another room or inside a building.
5. This heater must be connected to a chimney complying with the requirements for HT type chimneys in the standard for chimneys (6" dia. single wall, 24 Ga. min., black or blued steel chimney connector pipe.), a Factory-Built, Residential Type and Building Heating Appliance, UL 103 or a code-approved masonry chimney with a flue liner.
6. Be sure that your chimney is safely constructed and in good repair. Have the chimney inspected by the Fire Department or a qualified inspector. Your insurance company may be able to recommend a qualified inspector.
7. Make sure the chimney is high enough to give a good draft.
8. Inspect chimney connector and chimney twice monthly during the heating season for any deposit of creosote or soot which must be removed (see Chimney Maintenance in this manual).
9. DO NOT BE ALARMED IF HEATER SMOKES UPON INITIAL FIRING. The special paint used on this heater must be cured during initial firing. This smoking will occur only on initial firing.
10. CAST IRON PARTS MUST BE "SEASONED" TO AVOID CRACKING. BUILD ONLY SMALL FIRES DURING THE FIRST FEW DAYS OF USE.
11. To prevent injury, do not allow anyone to use this heater who is unfamiliar with the correct operation of the heater.
12. For additional information on using your Room Heater safely, obtain a copy of the National Fire Protection Association (NFPA) publication "Chimneys, Fireplaces, and Solid Fuel Burning Appliances" NFPA No. 211(USA).
13. Disposal of Ashes- Place ashes in a metal container with a tight fitting lid. Keep the closed container on a non-combustible floor or on the ground, well away from all combustible materials. Keep the ashes in the closed container until all cinders have thoroughly cooled. The ashes may be buried in the ground or picked up by a refuse collector.
14. Keep the firebox section free of excess ashes.
15. Observe clearances to combustible materials specified in this manual to avoid a fire hazard.
16. CARING FOR PAINTED PARTS- This heater has a painted jacket, which is durable but it will not stand rough handling or abuse. When installing your heater, use care in handling. Clean with soap and warm water when heater is not hot. DO NOT use any acids or scouring soap, as these wear and dull the finish. PAINT DISCOLORATION WILL OCCUR IF THE HEATER IS OVERFIRED. FOLLOW OPERATING INSTRUCTIONS CAREFULLY.
17. The firebox walls in this heater may become slightly distorted over a period of use. The slight distortion does not affect the operation of the unit.
18. CAUTION: HOT WHILE IN OPERATION. KEEP CHILDREN, CLOTHING, AND FURNITURE AWAY. CONTACT MAY CAUSE SKIN BURNS.
19. CAUTION: DO NOT CONNECT TO ANY AIR DISTRIBUTION OR DUCT SYSTEM.
20. CAUTION: STORE SOLID WOOD FUEL A SAFE DISTANCE AWAY. DO NOT STORE SOLID WOOD FUEL WITHIN HEATER INSTALLATION CLEARANCES OR WITHIN THE SPACE REQUIRED FOR ASH REMOVAL.
21. DO NOT USE A GRATE OR ELEVATE THE FIRE.
22. WE RECOMMEND THAT SMOKE DETECTORS BE INSTALLED IN YOUR HOME.
23. DO NOT CONNECT THIS UNIT TO A CHIMNEY SERVING ANOTHER APPLIANCE.

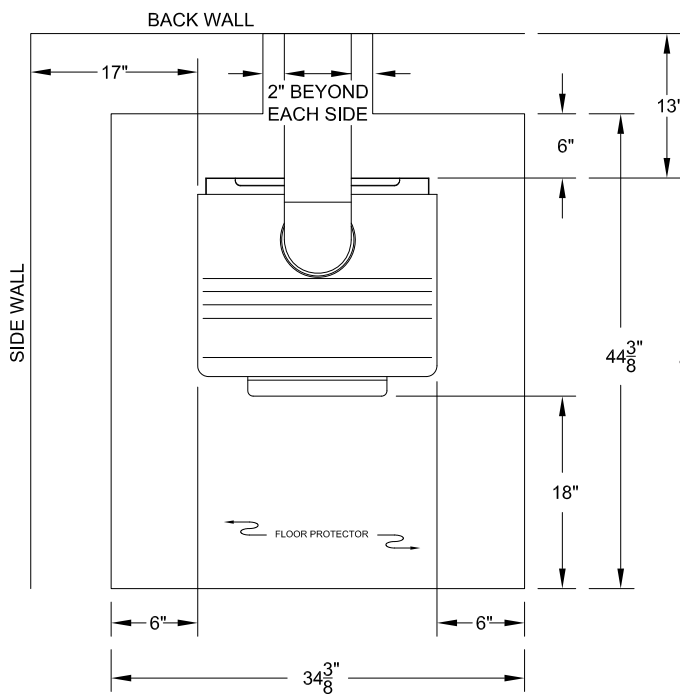
CAUTION! Do not touch the metal or glass surfaces of the heater until it has thoroughly cooled.

LOCATING THE ROOM HEATER

AS A LOCATION IS SELECTED, KEEP THE FOLLOWING IN MIND:

1. Keep the chimney connection as short as possible. The heater must have its own chimney flue. Do not connect any other appliance to the same flue. If there is no chimney where you wish to place the heater, you can use a UL 103 HT, Solid Fuel, Factory Built Chimney or a code-approved masonry chimney.
2. Place the heater on solid masonry or solid concrete. When the heater is used on a combustible floor, use a floor protector of a non-combustible material extending beneath the heater and must measure as figure below.
3. Check figures below. You should have at least the clearances shown from the heater and the connector pipe to combustible surfaces. If you have a solid brick or stone wall behind your heater, you can place the heater as close as you wish to the wall. If the wall is only faced with brick or stone, treat it as a combustible wall.

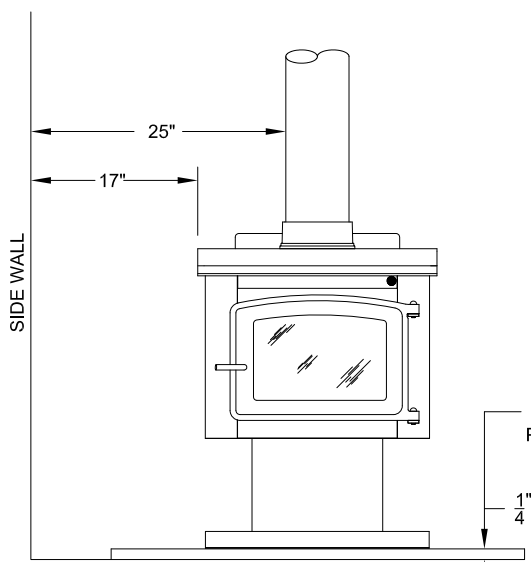
MINIMUM CLEARANCE TO COMBUSTIBLES



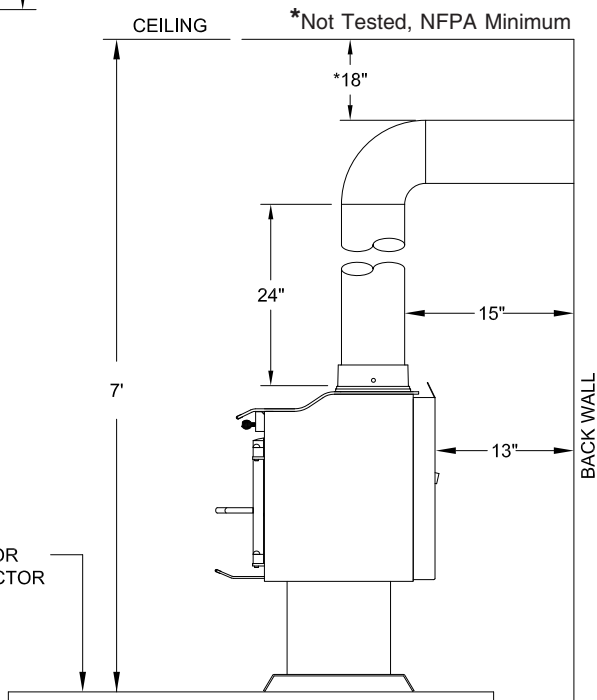
MINIMUM CLEARANCES FOR **CORNER INSTALLATION** IS **18 INCHES** FROM THE CORNERS OF THE HEATER TO THE NEAREST WALL

CAUTION
KEEP FURNISHINGS
AND OTHER COM-
BUSTIBLE MATERIALS
AWAY FROM THE
HEATER

TOP VIEW
Fig. 2



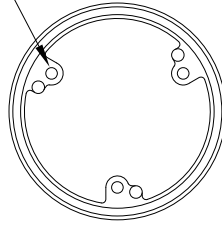
FRONT VIEW
Fig. 3



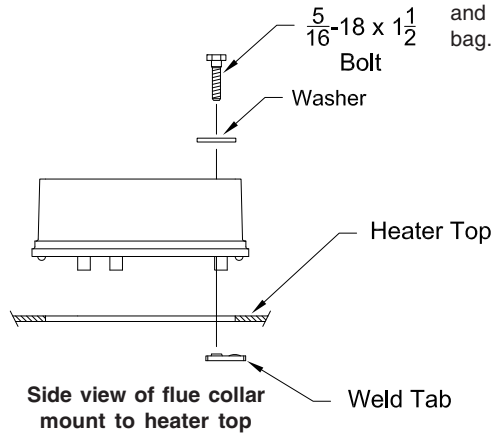
SIDE VIEW
Fig. 4

APS1100 Assembly

Holes in Flue collar where bolts attach to heater top.



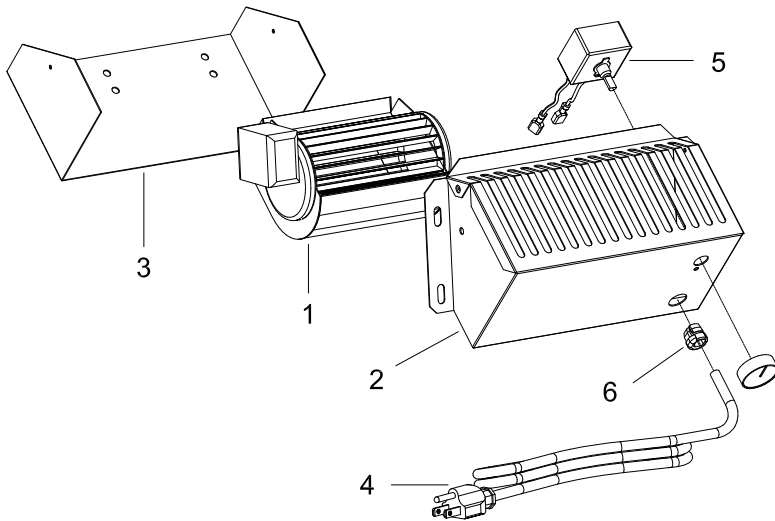
Flue Collar
Fig. 5



This heater comes equipped with a cast-iron flue collar to mount as shown below:

- Flue Collar
- 5/16-18 x 1-1/2" Bolts (3 req.)
- Weld Tab (3 req.)
- Gasket

Peel off tape from the back of the gasket and attach the gasket to the rope groove in the flue collar. Mount flue collar to the top of the heater using the (3) 5/16-18 x 1-1/2" Bolts, Washers, and the (3) Weld tabs provided in the parts bag.



KEY	DESCRIPTION	PART NO.	QTY.
1	Blower Motor	80442	1
2	Blower Housing Front	25090B	1
3	Blower Housing Back	25089B	1
4	Power Supply Cord	80232	1
5	Rheostat w/Nut and Knob	80090	1
6	Strain Relief Bushing	80109	1
N/S	10AB x 3/8 Hex Zinc Screw	83222	8
N/S	#12 x 3/4 Teks Screw	C23799	4

ASSEMBLY INSTRUCTIONS

Step 1.
THE BLOWER ASSEMBLY MUST BE DISCONNECTED FROM THE SOURCE OF ELECTRICAL SUPPLY BEFORE ATTEMPTING THE INSTALLATION.

With pliers, cut the 4 tabs and remove panel on the back of the stove. Note: Discard the panel.

Step 2.
Fix the assembly to the back of the stove with the four screws provided.

THE BLOWER ASSEMBLY IS INTENDED FOR USE ONLY WITH A STOVE THAT IS MARKED TO INDICATE SUCH USE.

DO NOT ROUTE THE SUPPLY CORD NEAR OR ACROSS HOT SURFACES!

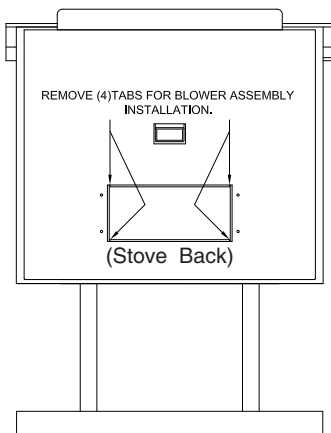


Fig. 6

CHIMNEY CONNECTION

Two basic types of chimneys are approved for use with solid fuel. Factory-built and masonry. Factory-built chimney must comply with UL standard in the US.

Do not expect your stove to create draft. Draft is not a function of the appliance. Draft is purely a function of the chimney. Modern stoves and furnaces are much more air-tight and efficient than those of the past, and, therefore, require greater draft. A minimum of .05" measured in water column (gauges to measure chimney draft are readily available at stove shops and are economical to purchase or rent) is required for proper drafting to prevent back-puffing, smoke spillage, and to maximize performance.

Chimneys perform two functions - one of which is apparent: The chimney provides a means for exhausting smoke and flue gases resulting from combustion of the fuel. Secondly, though, the chimney provides "Draft" which allows oxygen to be continuously introduced into the appliance, so that proper combustion is possible. As of April 1, 1987, all wood heaters and furnaces manufactured by United States Stove Company should be installed using a factory-built chimney that meets the "Type HT" requirement of UL 103 (when a factory-built chimney is used).

A chimney connector shall not pass through an attic, roof space, closet, floor, ceiling, or similar concealed space. Where passage through a wall or partition of combustible construction is desired, the installation must conform with NFPA 211.

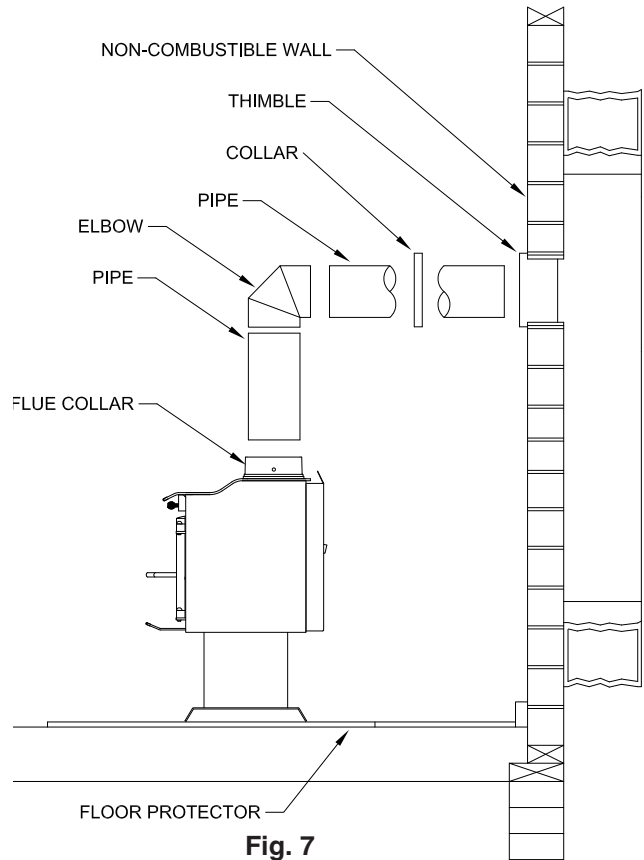


Fig. 7

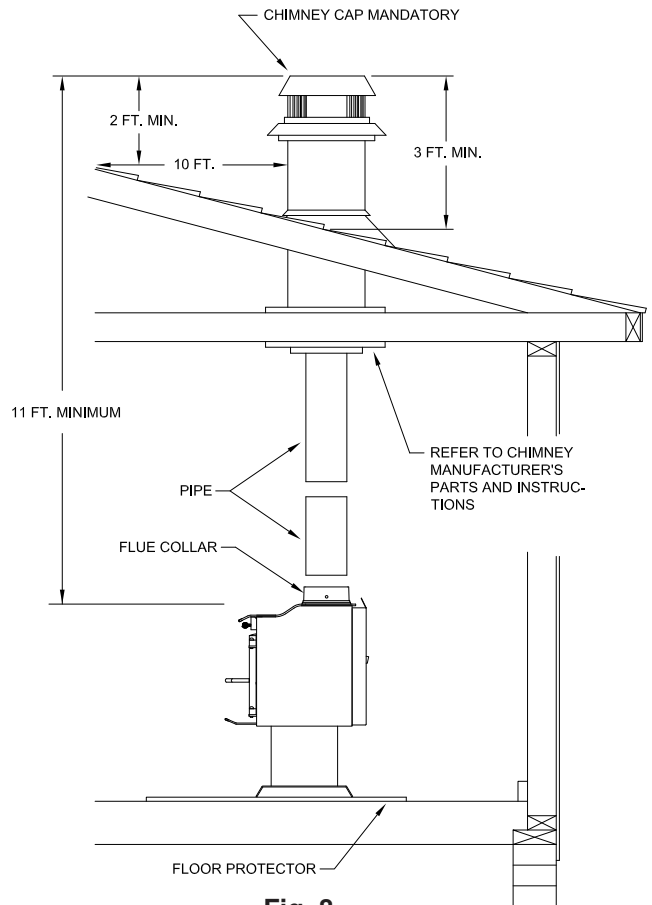
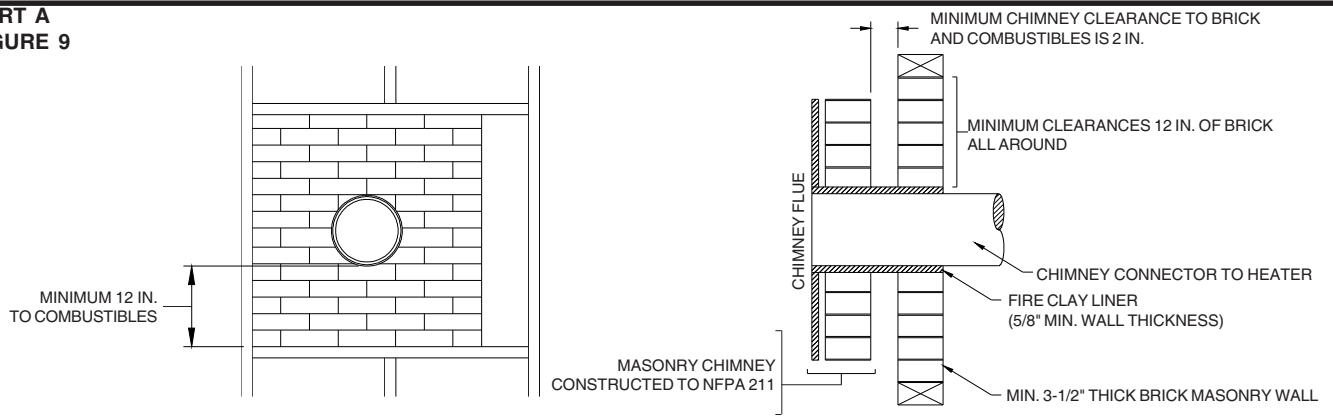


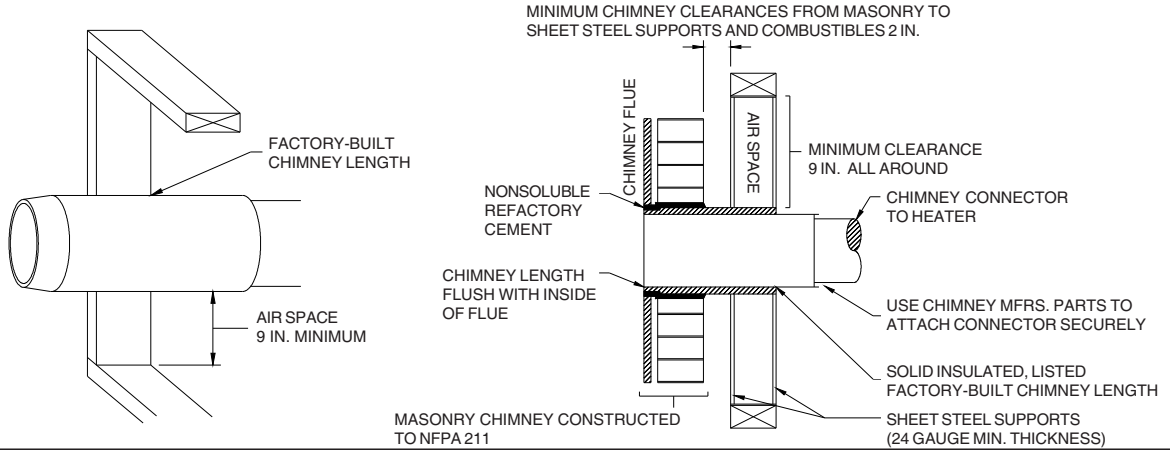
Fig. 8

Combustible Wall Chimney Connector Pass-Throughs

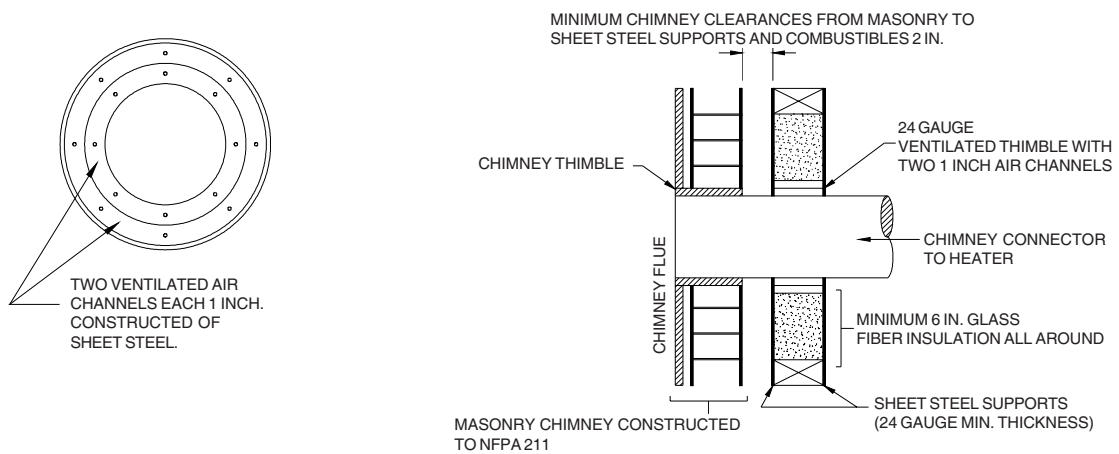
**PART A
FIGURE 9**



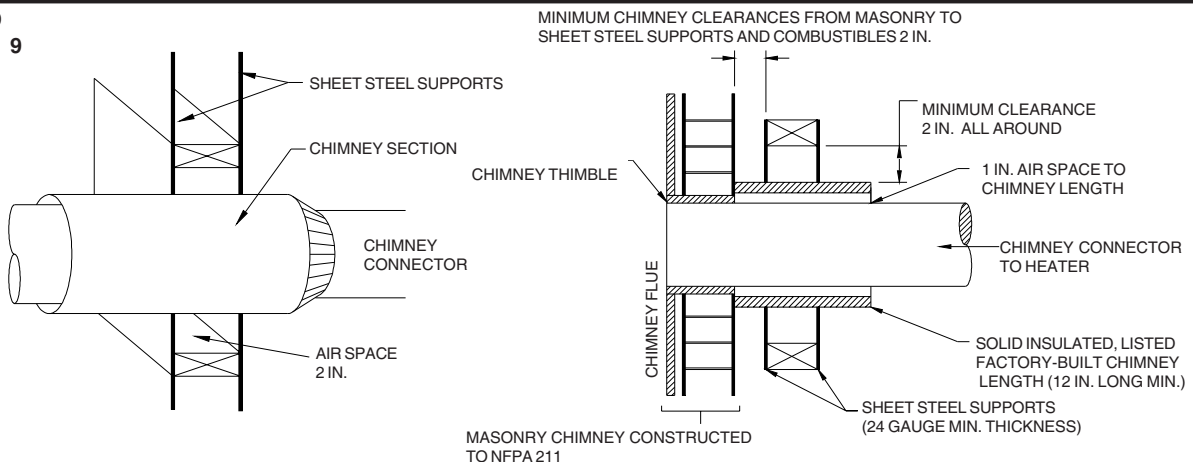
**PART B
FIGURE 9**



**PART C
FIGURE 9**



**PART D
FIGURE 9**



Combustible Wall Chimney Connector Pass-Throughs

Method A. 12" Clearance to Combustible Wall Member

Use a minimum 3-1/2" thick brick masonry wall framed into the combustible wall. A fireclay liner (ASTM C315 or equivalent) having a 5/8" minimum wall thickness must be used and it must be at least 12" away from any material that could catch fire. The inside diameter of the fireclay liner shall be sized for the proper snug fit of a 6" diameter chimney connector pipe. The fireclay liner shall run from the outer surface of the brick wall to, but not beyond, the inner surface of the chimney flue and shall be firmly cemented in place.

Method B. 9" Clearance to Combustible Wall Member

Use a solid insulated listed factory-built chimney length having an inside diameter of 6" and having 1" or more of solid insulation. There must be at least a 9" air space between the outer wall of the chimney length and any combustible materials. The inner end of the chimney length shall be flush with the inside of the masonry chimney flue shall be sealed to the flue and to the brick masonry penetration with nonwater-soluble refractory cement. Sheet steel supports which are at least 24 gauge(0.024") in thickness shall be securely fastened to wall surfaces on all sides. Fasteners between supports and the chimney length shall not penetrate the chimney liner.

Method C. 6" Clearance to Combustible Wall Member

Use a 10" diameter ventilated thimble made of at least 24 gauge(0.024") steel having two 1" air channels. The ventilated thimble must be separated from combustible materials by a minimum of 6" glass fiber insulation. The opening in the combustible wall shall be covered and the thimble supported with sheet steel supports which are at least 24 gauge (0.024") in thickness. The sheet steel supports shall be securely fastened to wall surfaces on all sides and shall be sized to fit and hold the chimney section. Fasteners used to secure chimney sections shall not penetrate chimney flue liner.

Method D. 2" Clearance to Combustible Wall Member

Use an 8" inside diameter solid insulated listed factory-built chimney length which has 1" or more of solid insulation. The minimum length of this chimney section shall be 12" and will serve as a pass-through for the 6" diameter chimney connector. There must be at least a 12" air space between the outer wall of the chimney section and any combustible materials. The chimney section shall be concentric with and spaced 1" away from the chimney connector by means of sheet steel support plates on both ends of the chimney section. The opening in the combustible wall shall be covered and the chimney section supported on both sides with sheet steel supports which are at least 24 gauge (0.024") in thickness. The sheet steel supports shall be securely fastened to wall surfaces on all sides and shall be sized to fit and hold the chimney section. Fasteners used to secure chimney sections shall not penetrate chimney flue liner.

A listed factory-built wall pass-through system may be purchased and installed according to the instructions packaged with it to provide a safe method of passing the chimney connector through a combustible wall for connection to a masonry chimney.

Notes:

1. Connectors to a masonry chimney, expecting method B, shall extend in one continuous section through the wall pass-through system and the chimney wall, to but not past the inner flue liner face.
2. A chimney connector shall not pass through an attic or roof space, closet or similar concealed space, or a floor, or ceiling

VENTING INTO A FIREPLACE

Many people may wish to convert an existing fireplace to heater use. Usually, safe connection of stovepipe to a masonry chimney requires more effort than connection to a prefabricated chimney. The fireplace must be tightly closed and sealed at the damper in the flue. Good sealants are high-temperature caulking, ceramic wool, and furnace cement. Always remember to inspect the masonry chimney and fireplace. If necessary, clean the flue and smoke shelf before beginning your installation. Install the heater into the fireplace so that the system can be dismantled for cleaning and inspection.

Before deciding to convert your fireplace, keep in mind that some fireplaces and existing chimneys are unsafe. They must be structurally sound, and the flue liner must be in good condition. Do not use a chimney if it is unlined (should have a fire clay tile liner to protect brickwork). Have it relined professionally. Clearances to combustibles are explained in the previous section on masonry chimneys. If you have any questions regarding the condition of the chimney, consult a qualified engineer, competent mason, or knowledgeable inspector.

Many prefabricated fireplaces fall into the "zero-clearance fireplace" category. This is a factory-built metal fireplace with multilayered construction. It is designed to provide enough insulation and/or air cooling so that the base, back and sides can be safely placed in direct contact with combustible floors and walls. Although many prefabricated fireplaces have been tested by nationally recognized organizations for use as fireplaces, they have not been tested to accept heaters. In fact, their use as such may void the manufacturer's warranty.

Steel-lined fireplaces, on the other hand, can be used with heaters. These units use a 1/4-inch firebox liner and an air chamber in connection with 8 inches of masonry to meet code. They contain all the essential parts of a fireplace, firebox, damper, throat, smoke shelf, and smoke chamber. Many of them look exactly like a masonry fireplace and must be checked closely for above requirements before installing a wood heater into them.

Another method frequently used by some people is to vent the heater directly into the fireplace. This does not meet code since the heater is being vented into another appliance - the fireplace. This method should not be attempted because combustion products will deposit and build up in the firebox or fireplace. Be certain not to install a hazard in your house. You will void your warranty with this installation.

VENTING INTO A MASONRY CHIMNEY

When considering a masonry chimney, round tiles are preferable to square or rectangular, as round tiles have much better airflow characteristics and are far easier to clean. Unfortunately, most North American chimneys use square or rectangular tile liners that are really designed for open fireplaces, not stoves or furnaces. Of most importance, second only to overall chimney height, is the diameter of the flue liner itself. In most instances, it should be sized to the appliance; i.e., 6" flue outlet on the appliance requires a 6" chimney. The inner diameter should never be less than the flue-outlet diameter and should never be greater than 50% larger than the appliance flue outlet. For example, do not expect a wood or coal burning stove or furnace to function properly if installed into a chimney with a flue greater than 50% more than the appliance outlet - - such as a 6" flue outlet requires a 6" diameter for optimum drafting, but can function well with an 8", but becomes borderline beyond an 8" diameter.

Masonry chimneys built of concrete blocks with or without flue liners do not meet modern building codes. A solid fuel appliance must not be joined to a chimney flue which is connected to another appliance burning other fuels.

If your chimney has a typically oversized flue liner of, say 8 x 12 inches, or greater, or if it is unlined, it will be necessary for you to reline the chimney, using any of the modern approved and economical methods such as stainless steel, castable refractory, or properly sized fireclay linings.

If you have any questions regarding venting your appliance, feel free to contact the factory at the address and phone number on this Owner's Manual. You may also contact NFPA (National Fire Protection Association) and request NFPA Standard 211 (1984 Edition-US). Another helpful publication is NFPA Standard 908(US). Specify 1984 Edition of either of the above US publications.

**CAUTION:
NOT ALL FIREPLACES ARE
SUITABLE FOR
INSTALLATION OF A WOOD
HEATER.**

"FIREPLACE" INSTALLATION (CONT'D)

FIREPLACE INSTALLATION

Connection of the stovepipe directly into the existing masonry chimney over the fireplace opening is a more desirable method. This installation performs better, yielding more heat and better draft; it is also easy to clean and inspect for creosote. Before beginning this type of installation plan carefully; a high degree of skill is required to insure safety.

An entry port for the stovepipe must be cut through the chimney with minimum damage to the fireclay liner. Some involved measurements may be required to locate the flue liner exactly. Before cutting, take time to mark the size and position of the entry port. Position the entry port so that at least 8 inches of the flue liner remains below the port.

Keep in mind that wood mantels and combustible trim around the fireplace must have adequate clearances from the heater and stovepipe or must be protected in an approved manner. Also, be sure to leave at least an 18 inch clearance between the top of the stovepipe and the combustible ceiling or other combustibles. Placing the center of the entry port 2 feet below the ceiling will insure proper clearance for 6-inch, 8-inch, and 10-inch stovepipes. Next, install a fireclay (at least 5/8 inch thick) or metal thimble, being sure that the thimble is flush with the inner flue lining, secure the thimble in place with refractory mortar. The thimble should be surrounded on all sides with 8 inches of brickwork (solid masonry units) or 24 inches of stone.

Install the stovepipe as far as possible into the thimble, but not past the inside of the flue lining. There should be a small airspace (approximately 1/2 inch) between the stovepipe and thimble, allowing for expansion of the stovepipe. Seal this airspace with high-temperature caulking or ceramic wool. Finally, be sure to wire the damper in the fireplace closed and apply the same sealant you used at the stovepipe and thimble junction.

Do not use the Type B installation (not illustrated in this manual), that is, venting up through the fireplace opening, regardless of whether the fireplace opening is closed.

Masonry chimneys have several positive attributes: If properly built, they are quite durable, and most homeowners consider them more attractive perhaps than an unenclosed factory built chimney. And, if the chimney is located within the confines of the house (that is, not attached to an exterior wall), its mass alone will store heat longer and continue to release the heat long after the fire has died. Masonry chimneys have many disadvantages though. Masonry chimneys constructed on an exterior wall are exposed to cold outdoor temperatures, promoting greater heat loss, higher accumulations of creosote, and reduced draft which leads to poorer heater or furnace performance.

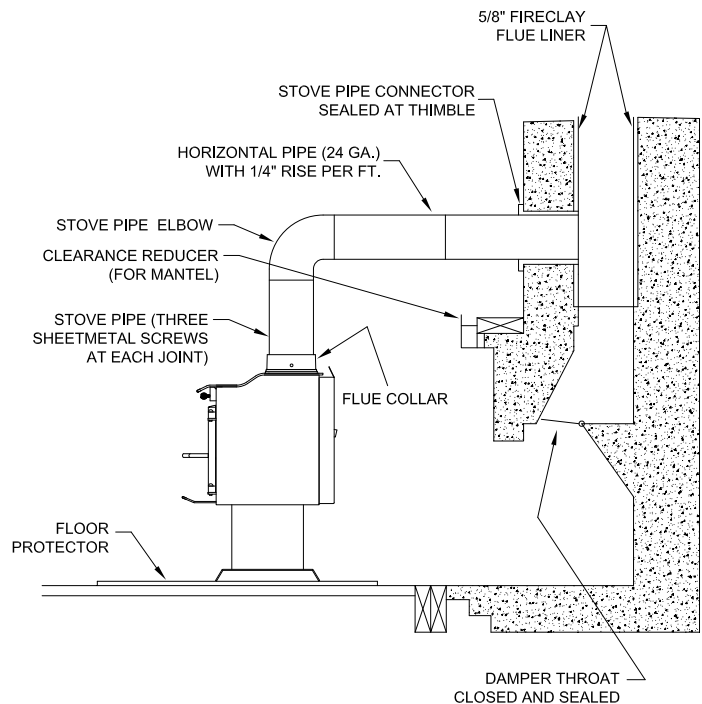


Fig. 10

RULES FOR CONNECTOR PIPE INSTALLATION

1. Crimped end of the pipe must be installed toward the heater. The pipe should slide inside the flue collar. The pipe should be firmly attached to the flue collar with 3 screws and sealed with furnace cement.
2. Slope any horizontal pipe upward toward the chimney at least 1/4 " inch for each foot of horizontal run.
3. You must have at least 18" inches clearance between any horizontal piping and the ceiling.
4. The pipe cannot extend into the chimney flue.(Fig. 8)
5. Seal each connector pipe joint with furnace cement. Also seal the pipe at the chimney.
6. Use 3 sheet metal screws at each joint to make the piping rigid.
7. It is recommended that no more than two (2) 90 degree bends be used in the stove pipe installation as more than two (2) may decrease the amount of draw and possibly cause smoke spillage.
8. The chimney connector must not pass through an attic or roof space, closet, or any concealed space, or floor, ceiling, wall or combustible construction.

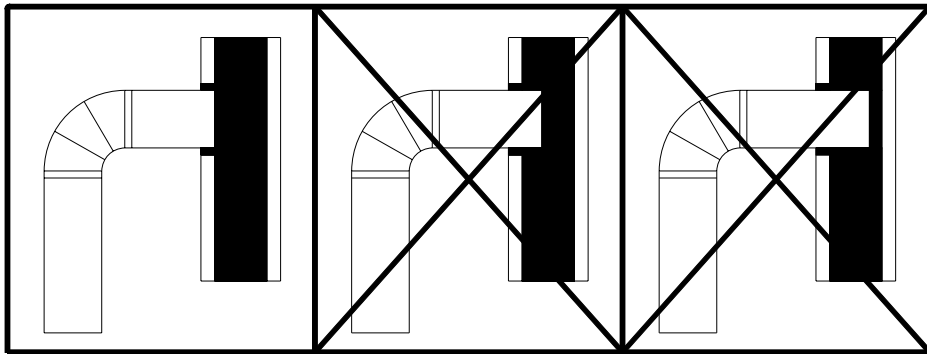


Fig. 11

OPERATING INSTRUCTIONS

Wood Fuel

Use Hardwood that has been split and air-dried to obtain maximum burning efficiency.

Lighting Instructions

1. Open door and place paper and kindling in the firebox.
2. Light the fire and close the door until the kindling is burning.
3. Open the door and add fuel as desired.

Extended Operation

1. Fuel should be added in small amounts to give more complete combustion and uniform room temperature.
2. Empty the ashes regularly. Do not allow ashes to build up. Dispose of hot ashes properly in a metal container with a lid.

SERVICE HINTS

Do not expect a heater to draw. It is the chimney that creates the draft. Smoke spillage into the house or excessive buildup of water or creosote in the chimney are warnings that the chimney is not functioning properly. Correct problem before using heater. Possible causes are:

1. The connector pipe may be pushed into the chimney too far, stopping the draft.
2. Do not connect two heaters into the same chimney flue.
3. The chimney used for a heater must not be used to ventilate the cellar or basement. If there is a cleanout opening at the base of the chimney, it must be closed tightly.

CHIMNEY MAINTENANCE

Creosote - Formation and Need for Removal

When wood is burned slowly, it produces tar and other organic vapors, which combine with expelled moisture to form creosote. The creosote vapors condense in the relatively cool chimney flue of a slow burning fire. As a result, creosote residue accumulates on the flue lining. When ignited this creosote makes an extremely hot fire.

The chimney connector and chimney should be inspected at least twice monthly during the heating season to determine if a creosote buildup has occurred.

WARNING!
NEVER STORE FLAMMABLE LIQUIDS, ESPECIALLY GASOLINE. IN THE VICINITY OF THE HEATER.

CAUTION!
OVERFIRING THE APPLIANCE MAY CAUSE A HOUSE FIRE. IF A UNIT OR CHIMNEY CONNECTOR GLOWS, YOU ARE OVERFIRING.

CAUTION!
NEVER USE GASOLINE, GASOLINE-TYPE LANTERN FUEL, KEROSENE, CHARCOAL LIGHTER FLUID, OR SIMILAR LIQUIDS TO START OR "FRESHEN UP" A FIRE IN THIS HEATER. KEEP ALL SUCH LIQUIDS WELL AWAY FROM THE HEATER WHILE IT IS IN USE.

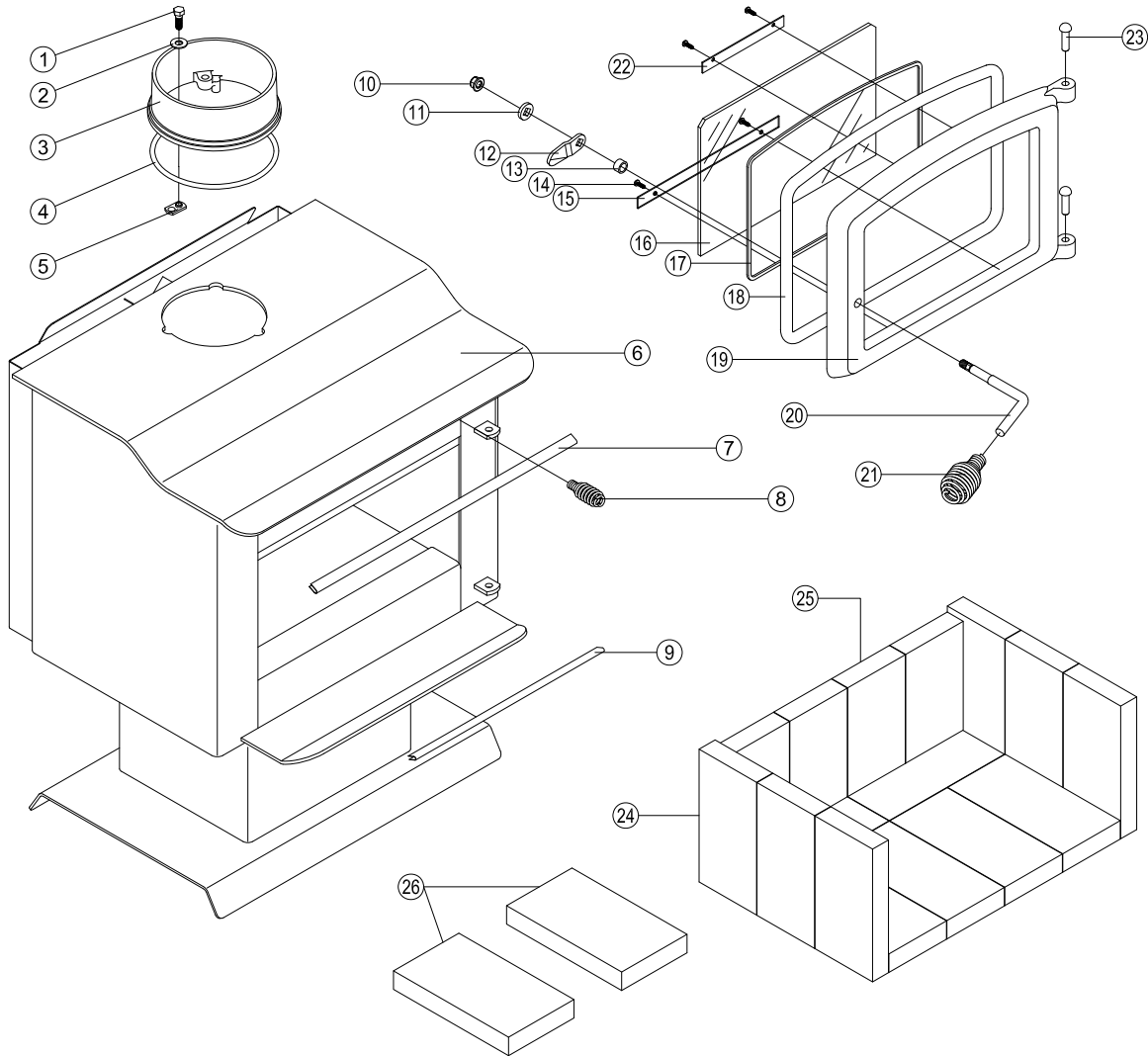
WARNING!
OPERATE ONLY WITH THE FEED DOOR FULLY CLOSED.

4. If the chimney is operating too cool, water will condense in the chimney and run back into the stove. Creosote formation will be rapid and may block the chimney. Operate the heater at a high enough fire to keep the chimney warm preventing this condensation.
5. If the fire burns well but sometimes smokes or burns slowly, it may be caused by the chimney top being lower than another part of the house or a nearby tree. The wind blowing over a house or tree, falls on top of the chimney like water over a dam, beating down the smoke. The top of the chimney should be at least 3 feet above the roof and be at least 2 feet higher than any point of the roof within 10 feet (Fig. 6).

If creosote has accumulated, it should be removed. Failure to remove creosote may cause a house fire. Creosote may be removed by using a chimney brush or other commonly available materials.

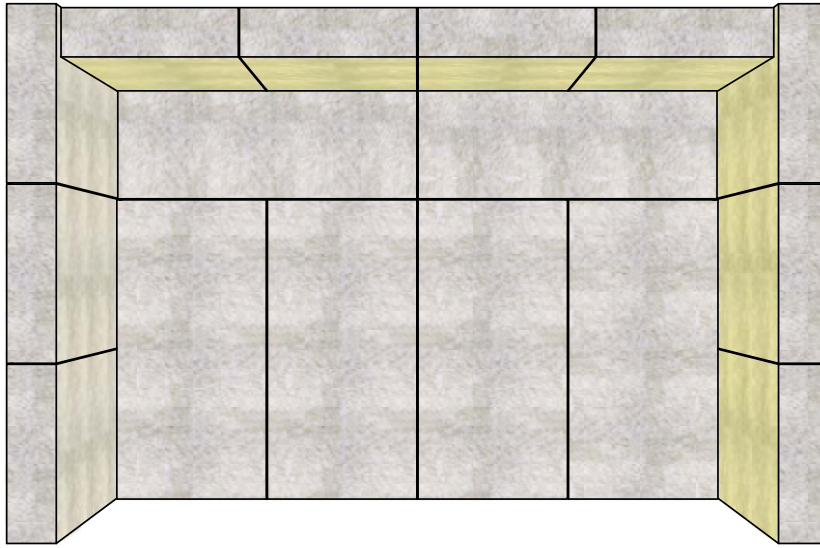
Chimney fires burn very hot. If the chimney connector should glow red, immediately call the fire department, then reduce the fire by closing the air damper and pour a large quantity of coarse salt, baking soda or cool ashes on top of the fire in the firebox. **CAUTION:** A chimney fire may cause ignition of wall studs or rafters which you thought were a safe distance from the chimney. If you have a chimney fire, have your chimney inspected by a qualified person before using again.

REPAIR PARTS

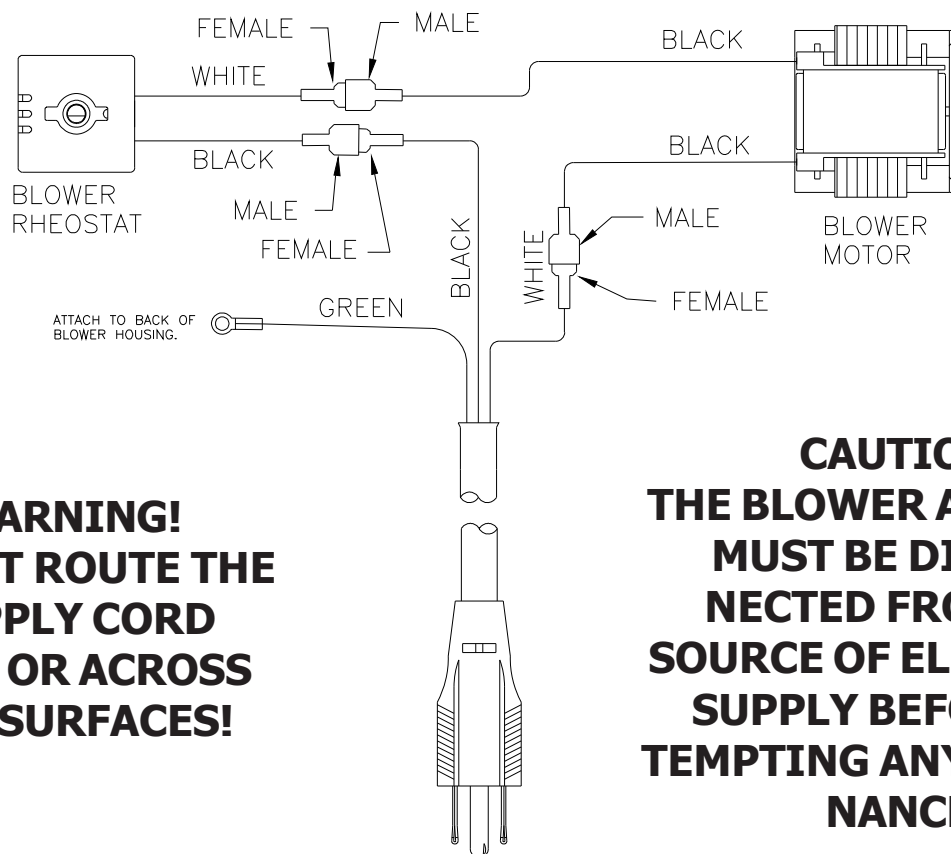


KEY NO.	DESCRIPTION	PART NO.	QTY.
1	Hex Head Bolt	83432	3
2	3/8 ID Washer	83045A	3
3	Flue Collar	40292	1
4	Flue Collar Gasket	88042	13
5	Weld Tab	83431	1
6	Firebox Weldment	Af0040A	1
7	Top Plate Trim	AF0027	1
8	Brass Handle	Af0019	1
9	Hearth Trim	AF0028	1
10	Keps Nus	83274	1
11	Door Latch Spacer	AF0034	1
12	Door Latch	AF0007	1
13	Door Latch Bushing	AF0035	1
14	10-24 x 3/8 PH Bolt	83202	4
15	Bottom Bracket	AF0024	1
16	Door Glass	AF0038	1
17	Glass Gasket	88087	1
18	Door Gasket	88066	1
19	Feed Door	AF0036	1
20	Door Handle	AF0020	1
21	Brass Handle	89574	1
22	Top Bracket	AF0025	1
23	Door Hinge Pin	AF0023	2
24	Firebrick (4.5 x 9 x 1.25)	89066	12
25	Firebrick (4.5 x 7.38 x 1.25)	AF0021	4
26	Firebrick (5.19 x 9.25 x 1.25)	AF0055	2

BRICK PLACEMENT - (TOP INSIDE VIEW OF FIREBOX)



WIRING DIAGRAM FOR BLOWER ASSEMBLY



WARNING!
DO NOT ROUTE THE
SUPPLY CORD
NEAR OR ACROSS
HOT SURFACES!

CAUTION!
THE BLOWER ASSEMBLY
MUST BE DISCON-
NECTED FROM THE
SOURCE OF ELECTRICAL
SUPPLY BEFORE AT-
TEMPTING ANY MAINTEN-
ANCE.

SUPPLY CORD

ASHES - REMOVAL AND DISPOSAL

Ashes should not be allowed to accumulate inside the heater to the point that they obstruct airflow through the burning wood. If ashes obstruct the airflow, poor burning of the wood is likely.

When removing ashes from the heater, wear noncombustible gloves to protect your hands from hot surfaces. Rake ashes using an ash shovel and dump ashes into a safe, noncombustible container.

ASHES SHOULD BE PLACED IN A METAL CONTAINER WITH A TIGHT FITTING LID. THE CLOSED CONTAINER OF ASHES SHOULD BE PLACED ON A NONCOMBUSTIBLE FLOOR OR ON THE GROUND, WELL AWAY FROM ALL COMBUSTIBLE MATERIALS, PENDING FINAL DISPOSAL. IF THE ASHES ARE DISPOSED OF BY BURIAL IN SOIL OR OTHERWISE LOCALLY DISPERSED, THEY SHOULD BE RETAINED IN THE CLOSED CONTAINER UNTIL ALL CINDERS HAVE THOROUGHLY COOLED.

Ashes should never be placed in a wooden, cardboard, or plastic container, nor in a paper or plastic bag, no matter how long the fire has been out. Coals have been known to stay hot for several days when embedded in ashes.

Glass Replacement Instructions for APS1100B

1. Be sure heater has cooled before beginning.
2. Remove 4, 10-24 x 3/8 screws and glass retainers with screw driver.
3. Remove damaged glass.
4. To reinstall glass, follow steps 1-2 in reverse order. Be sure to replace the gasket on the glass.
5. Caution: Do not operate with broken glass.
6. When removing broken glass, wear thick gloves, and safety glasses. Keep children away. Discard broken glass.
7. Use only the glass specified for this unit. Contact your local dealer or customer service for replacement glass.
8. Warning: Do not slam door or strike glass. Slamming door or striking glass may cause glass to break.
9. Caution: Do not build fire directly on glass.
10. Warning: Do not use abrasive cleaners. Abrasive cleaners may damage the glass.
11. Warning: Do not use substitute materials.

HOW TO ORDER REPAIR PARTS

THIS MANUAL WILL HELP YOU OBTAIN EFFICIENT, DEPENDABLE SERVICE FROM THE HEATER, AND ENABLE YOU TO ORDER REPAIR PARTS CORRECTLY.

KEEP IN A SAFE PLACE FOR FUTURE REFERENCE.

WHEN WRITING, ALWAYS GIVE THE FULL MODEL NUMBER WHICH IS ON THE NAME-PLATE ATTACHED TO THE BACK OF THE HEATER.

WHEN ORDERING REPAIR PARTS, ALWAYS GIVE THE FOLLOWING INFORMATION AS SHOWN IN THIS LIST:

1. The PART NUMBER
2. The PART DESCRIPTION
3. The MODEL NUMBER: APS1100B
4. The SERIAL NUMBER: _____

UNITED STATES STOVE COMPANY
227 Industrial Park Road
P.O. Box 151
South Pittsburg, TN 37380
1-800-750-2723
www.USSTOVE.com