



Golden Eagle



Owner's Manual
Model 5520



Certified for installations in the USA and Canada

U.S. Environmental Protection Agency
Certified to comply with 2015 particulate emissions standards.

This unit is not intended to be used as a primary source of heat.

- Please read this entire manual before installation and use of this pellet fuel-burning room heater. Failure to follow these instructions could result in property damage, bodily injury, or even death.
- Contact your local building or fire officials about restrictions and installation inspection in your area.
- Save these instructions.



CALIFORNIA PROPOSITION 65 WARNING:

This product can expose you to chemicals including carbon monoxide, which is known to the State of California to cause cancer, birth defects and/or other reproductive harm. For more information, go to www.P65warnings.ca.gov

United States Stove Company
227 Industrial Park
South Pittsburg, TN 37380
www.USSTOVE.com
PHONE: 800-750-2723

851907J-0301H

Safety Precautions

This manual describes the installation and operation of the Golden Eagle, 5520 wood heater. This heater meets the 2015 U.S. Environmental Protection Agency's crib wood emission limits for wood heaters sold after May 15, 2015. Under specific test conditions this heater has been shown to deliver heat at rates ranging from 8,211 to 34,039 Btu/hr.

- **IMPORTANT:** Read this entire manual before installing and operating this product. Failure to do so may result in property damage, bodily injury, or even death. Proper installation of this stove is crucial for safe and efficient operation.
- Install vent at clearances specified by the vent manufacturer.
- If a chimney or creosote fire occurs, press the "OFF" button immediately. Do not unplug the unit.
- Do not connect the pellet vent to a vent serving any other appliance or stove.
- Do not install a flue damper in the exhaust venting system of this unit.
- Use of outside air is not required for this unit.
- Contact your local building officials to obtain a permit and information on any additional installation restrictions or inspection requirements in your area.
- Do not throw this manual away. This manual has important operating and maintenance instructions that you will need at a later time. Always follow the instructions in this manual.
- This appliance is designed for the use of pelletized fuel that meet or exceed the standard set by the Pellet Fuel Institute (PFI). The use of other fuels will void warranty.
- Never use gasoline, gasoline-type lantern fuel, kerosene, charcoal lighter fluid, or similar liquids to start or 'freshen up' a fire in this stove. Keep all such liquids well away from the stove while it is in use.
- A working smoke detector must be installed in the same room as this product.
- Do not unplug the stove if you suspect a malfunction. Turn the ON/OFF SWITCH to 'OFF' and contact your dealer.
- Your stove requires periodic maintenance and cleaning (see "MAINTENANCE"). Failure to maintain your stove may lead to improper and/or unsafe operation.
- Disconnect the power cord before performing any maintenance! NOTE: Turning the ON/OFF Switch to "OFF" does not disconnect all power to the electrical components of the stove.
- Never try to repair or replace any part of the stove unless instructions for doing so are given in this manual. All other work should be done by a trained technician.
- Do not operate your stove with the viewing door open. The auger will not feed pellets under these circumstances and a safety concern may arise from sparks or fumes entering the room.
- Allow the stove to cool before performing any maintenance or cleaning. Ashes must be disposed in a metal container with a tight fitting lid. The closed container of ashes should be placed on a non-combustible surface or on the ground, well away from all combustible materials, pending final disposal.
- The exhaust system should be checked monthly during the burning season for any build-up of soot or creosote.
- Do not touch the hot surfaces of the stove. Educate all children on the dangers of a high-temperature stove. Young children should be supervised when they are in the same room as the stove.
- The hopper and stove top will be hot during operation; therefore, you should always use some type of hand protection when refueling your stove.
- A power surge protector is required. This unit must be plugged into a 110 - 120V, 60 Hz grounded electrical outlet. Do not use an adapter plug or sever the grounding plug. Do not route the electrical cord underneath, in front of, or over the heater. Do not route the cord in foot traffic areas or pinch the cord under furniture. Do not plug into a GFI outlet.
- The heater will not operate during a power outage. If a power outage does occur, check the heater for smoke spillage and open a window if any smoke spills into the room.
- The feed door must be closed and sealed during operation.
- Never block free airflow through the open vents of the unit.
- Keep foreign objects out of the hopper.
- The moving parts of this stove are propelled by high torque electric motors. Keep all body parts away from the auger while the stove is plugged into an electrical outlet. These moving parts may begin to move at any time while the stove is plugged in.
- Do not place clothing or other flammable items on or near this stove.
- When installed in a mobile home, the stove must be grounded directly to the steel chassis and bolted to the floor. **WARNING—THIS UNIT MUST NOT BE INSTALLED IN THE BEDROOM** (per HUD requirements). **CAUTION—**The structural integrity of the mobile home floor, wall, and ceiling/roof must be maintained.
- This appliance is not intended for commercial use.

* This appliance is a freestanding heater. It is not intended to be attached to any type of ducting. It is not a furnace.

Specifications

Heating Specifications	
Fuel Burn Rate* (lowest setting)	1.0 lbs./hr. (0.5 kg/hr)
Burn Time (lowest setting)	120 hrs. (approximate)
Hopper Capacity	120 lbs. (55kg)

* Pellet size may effect the actual rate of fuel feed and burn times. Fuel feed rates may vary by as much as 20%. Use PFI listed fuel for best results.

Dimensions	
Height	34 in. (864mm)
Width	26 in. (660mm)
Depth	27 in. (686mm)
Weight	210 lbs. (95.5kg)

Electrical Specifications	
Electrical Rating	110-120 volts, 60 HZ, 3.0 Amps
Watts (operational)	175 (approx.)
Watts (igniter running)	425 (approx.)

VISIBLE SMOKE

The amount of visible smoke being produced can be an effective method of determining how efficiently the combustion process is taking place at the given settings. Visible smoke consist of unburned fuel and moisture leaving your stove. Learn to adjust the air settings of your specific unit to produce the smallest amount of visible smoke. Wood that has not been seasoned properly and has a high wood moisture content will produce excess visible smoke and burn poorly.

FUEL CONSIDERATIONS

Your pellet stove is designed to burn premium hardwood pellets that comply with Association of Pellet Fuel Industries standards. (Minimum of 40 lbs density per cubic ft, 1/4" to 5/16" diameter, length no greater than 1.5", not less than 8,200 BTU/lb, moisture under 8% by weight, ash under 1% by weight, and salt under 300 parts per million). Pellets that are soft, contain excessive amounts of loose sawdust, have been, or are wet will result in reduced performance.

Store your pellets in a dry place. DO NOT store the fuel within the installation clearances of the unit or within the space required for refueling and ash removal. Doing so could result in a house fire.

SAFETY AND EPA COMPLIANCE

Your pellet stove has been approved for installation in the USA and Canada. It may also be installed in a manufactured or mobile home. It has been safety tested and listed to ASTM E 1509-04, ULC-S627-00, ULC/ORD C1482-90, and(UM) 84-HUD by INTERTEK Testing Services in Fairview, Oregon USA.

Installation

INSTALLATION OPTIONS

Read this entire manual before you install and use your pellet stove. Failure to follow instructions may result in property damage, bodily injury, or even death!

(See specific installation details for clearances and other installation requirements)

A Freestanding Unit—supported by pedestal/legs and placed on a non-combustible floor surface in compliance with clearance requirements for a freestanding stove installation.

An Alcove Unit—supported by pedestal/legs and placed on a non-combustible floor surface in compliance with clearance requirements for an alcove installation.

Your pellet stove may be installed to code in either a conventional or mobile home (see SPECIAL MOBILE HOME REQUIREMENTS). The installation must comply with the Manufactured Home and Safety Standard (HUD), CFR3280, Part 24.

It is recommended that only a authorized technician install your pellet stove, preferably an NFI certified specialist.

CAUTION: DO NOT CONNECT TO OR USE IN CONJUNCTION WITH ANY AIR DISTRIBUTION DUCTWORK UNLESS SPECIFICALLY APPROVED FOR SUCH INSTALLATIONS.

IMPROPER INSTALLATION: The manufacturer will not be held responsible for damage caused by the malfunction of a stove due to improper venting or installation. Call (800) 750-2723 and/or consult a professional installer if you have any questions.

FLOOR PROTECTION

This unit must be installed on a 1/2" thick, non-combustible floor protector with a k-value of 0.42. A 1" thick protector with a k-value of 0.84 is also acceptable. The floor protector should be large enough to extend a minimum of 6 in. (152.4mm) in front, 6 in. (152.4mm) on each side, and 1 in. (25.4mm) behind the stove.

Floor protection must extend under and 2 in. (50.8mm) to each side of the chimney tee for an interior vertical installation. Your pellet stove will need a minimum 31" (787mm) x 38" (965mm) floor protector.

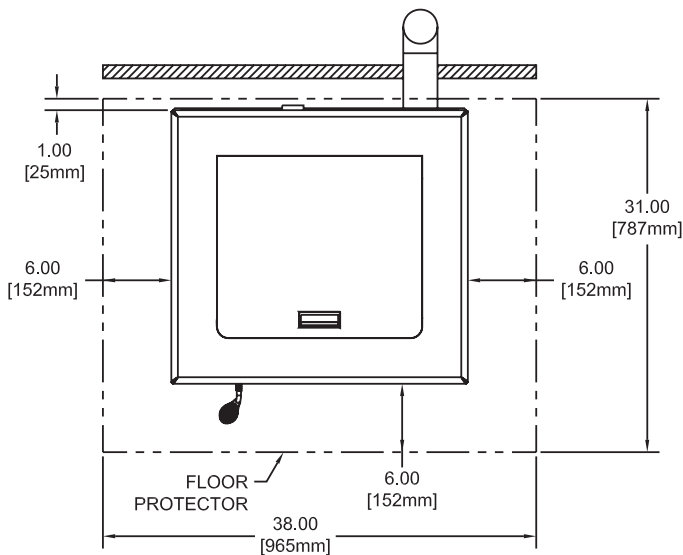


FIGURE 1

THROUGH THE WALL INSTALLATION

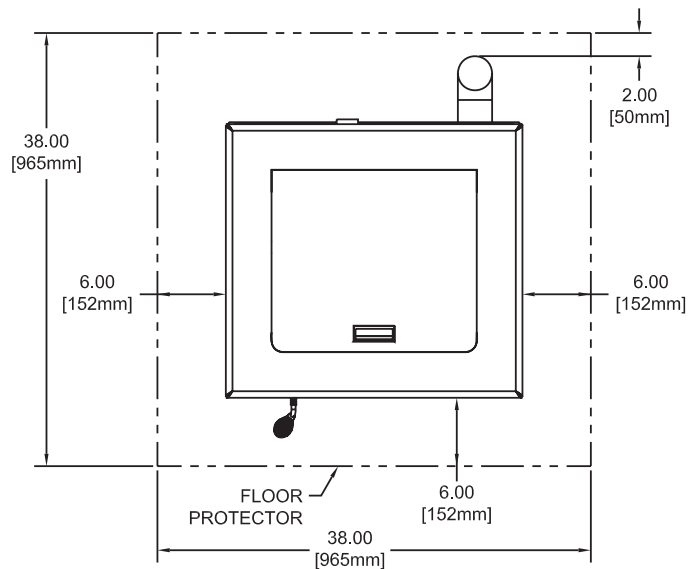


FIGURE 2

INTERIOR VERTICAL INSTALLATION

Installation

CLEARANCES

Your pellet stove has been tested and listed for installation in residential, mobile home, and alcove applications in accordance with the clearances given in FIGURES 3-5 and TABLE 1. Any reduction in clearance to combustibles may only be done by means approved by a regulatory authority.

NOTE: Distance "C" on the left-hand side of your pellet stove may need to be greater than the minimum required clearance for suitable access to the control panel.

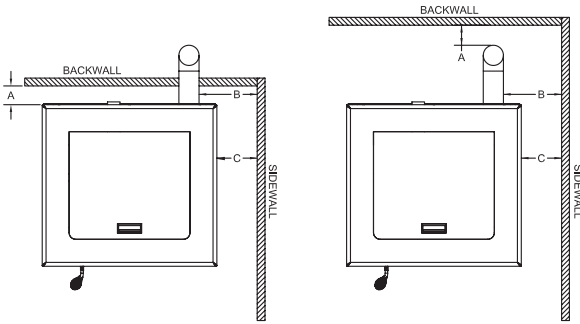


FIGURE 3
SIDEWALL CLEARANCES
PARALLEL INSTALLATION

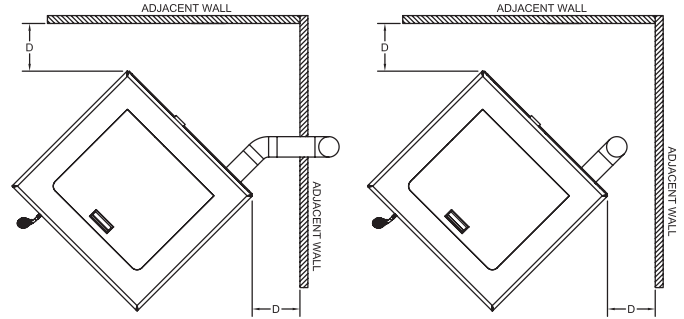


FIGURE 4
SIDEWALL CLEARANCES
CORNER INSTALLATION

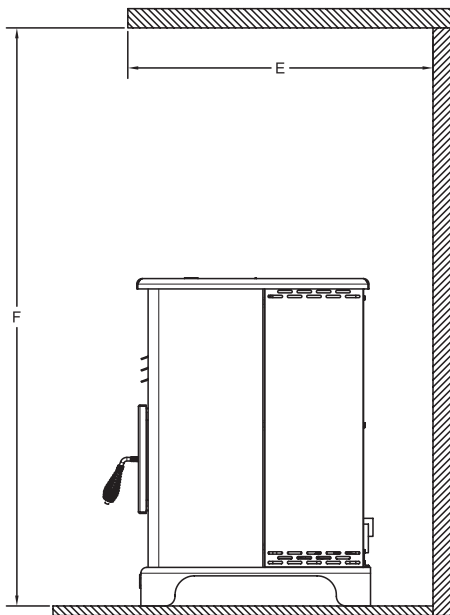


FIGURE 5
ALCOVE CLEARANCES

PARALLEL	A - Backwall to unit	3.00"	76mm
	B - Sidewall to flue	16.00"	406mm
	C - Sidewall to top edge of unit	12.00"	305mm
CORNER ALCOVE	D - Adjacent wall to unit	1.00"	25.4mm
	E - Alcove depth	36.00"	914mm
	F - Alcove height	60.00"	1520mm

TABLE 1
CLEARANCES

Installation

VENTING REQUIREMENTS

- Install vent at clearances specified by the vent manufacturer.
- Do not connect the pellet vent to a vent serving any other appliance or stove.
- Do not install a flue damper in the exhaust venting system of this unit.
- The following installation guidelines must be followed to ensure conformity with both the safety listing of this stove and to local building codes. Do not use makeshift methods or compromise in the installation.

IMPROPER INSTALLATION: The manufacturer will not be held responsible for damage caused by the malfunction of a stove due to improper venting or installation. Call (800) 750-2723 and/or consult a professional installer if you have any questions.

MAXIMUM VENTING DISTANCE

Installation MUST include at least 3-feet of vertical pipe outside the home. This will create some natural draft to reduce the possibility of smoke or odor during appliance shutdown and keep exhaust from causing a nuisance or hazard by exposing people or shrubs to high temperatures. The maximum recommend vertical venting height is 12-feet for 3-inch type "PL" vent. Total length of horizontal vent must not exceed 4-feet. This could cause back pressure. Use no more than 180 degrees of elbows (two 90-degree elbows, or two 45-degree and one 90-degree elbow, etc.) to maintain adequate draft.

IMPORTANCE OF PROPER DRAFT

Draft is the force which moves air from the appliance up through the chimney. The amount of draft in your chimney depends on the length of the chimney, local geography, nearby obstructions and other factors. Too much draft may cause excessive temperatures in the appliance. Inadequate draft may cause backpuffing into the room and 'plugging' of the chimney.

Inadequate draft will cause the appliance to leak smoke into the room through appliance and chimney connector joints.

An uncontrollable burn or excessive temperature indicates excessive draft.

Take into account the chimney's location to insure it is not too close to neighbors or in a valley which may cause unhealthy or nuisance conditions.

PELLET VENT TYPE

A UL listed 3-inch or 4-inch type "PL" pellet vent exhaust system must be used for installation and attached to the pipe connector provided on the back of the stove (use a 3-inch to 4-inch adapter for 4-inch pipe). Connection at back of stove must be sealed using Hi-Temp RTV. Use 4-inch vent if the vent height is over 12-feet or if the installation is over 2,500 feet above sea level.

We recommend the use of Simpson Dura-Vent® or Metal-Fab® pipe (if you use other pipe, consult your local building codes and/or building inspectors). Do not use Type-B Gas Vent pipe or galvanized pipe with this unit. The pellet vent pipe is designed to disassemble for cleaning and should be checked several times during the burning season. Pellet vent pipe is not furnished with the unit and must be purchased separately.

PELLET VENT INSTALLATION

The installation must include a clean-out tee to enable collection of fly ash and to permit periodic cleaning of the exhaust system. The clean-out tee must be installed at the base of the vertical section, not in horizontal section. 90-degree elbows accumulate fly ash and soot thereby, reducing exhaust flow and performance of the stove. Each elbow or tee reduces draft potential by 30% to 50%.

All joints in the vent system must be fastened by at least 3 screws, and all joints must be sealed with Hi-Temp RTV silicone sealant on the inside and high temperature tape on the outside to be airtight. The area where the vent pipe penetrates to the exterior of the home must be sealed with silicone or other means to maintain the vapor barrier between the exterior and the interior of the home. Vent surfaces can get hot enough to cause burns if touched by children. Noncombustible shielding or guards may be required.

PELLET VENT TERMINATION

Do not terminate the vent in an enclosed or semi-enclosed area, such as; carport, garage, attic, crawl space, under a sundeck or porch, narrow walkway, or any other location that can build up a concentration of fumes. The termination must exhaust above the outside air inlet elevation. The termination must not be located where it will become plugged by snow or other materials. Do not terminate the venting into an existing steel or masonry chimney.

Installation

VENT TERMINATION CLEARANCES

- A. Minimum 4-feet (1.22m) clearance below or beside any door or window that opens.
- B. Minimum 1-foot (0.3m) clearance above any door or window that opens.
- C. Minimum 3-feet (0.91m) clearance from any adjacent building.
- D. Minimum 7-feet (2.13m) clearance from any grade when adjacent to public walkways.
- E. Minimum 2-feet (0.61m) clearance above any grass, plants, or other combustible materials.
- F. Minimum 3-feet (0.91m) clearance from an forced air intake of any appliance.
- G. Minimum 2-feet (0.61m) clearance below eaves or overhang.
- H. Minimum 1-foot (0.3m) clearance horizontally from combustible wall.
- I. Must be a minimum of 3 feet (0.91m) above the roof and 2 feet (0.61m) above the highest point or the roof within 10 feet (3.05m).

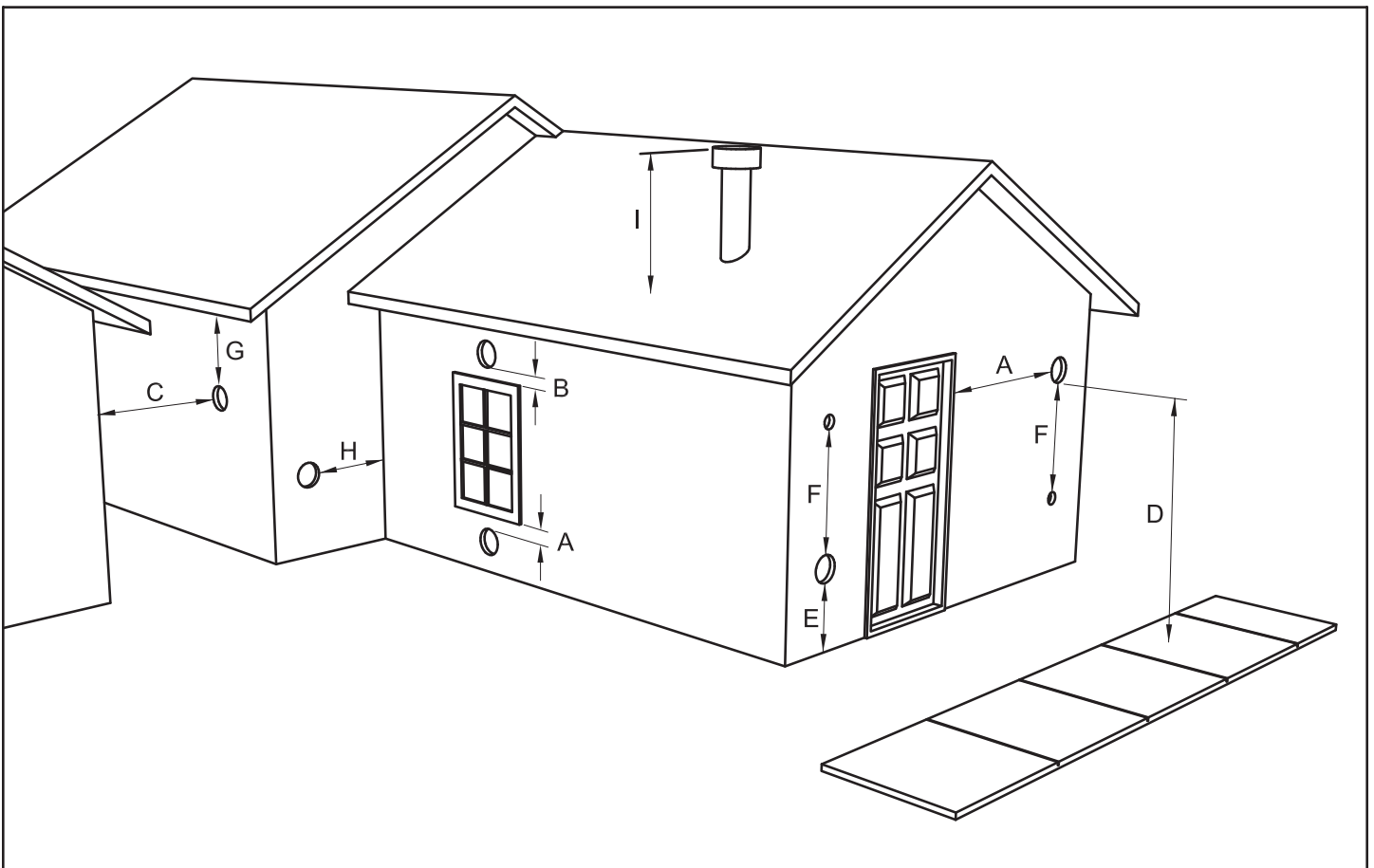


FIGURE 6
VENT TERMINATION CLEARANCES

Installation

THROUGH THE WALL INSTALLATION (RECOMMENDED INSTALLATION)

Canadian installations must conform to CAN/CSA-B365.

To vent the unit through the wall, connect the pipe adapter to the exhaust motor adapter. If the exhaust adapter is at least 18 in.(457mm) above ground level, a straight section of pellet vent pipe can be used through the wall.

Your heater dealer should be able to provide you with a kit that will handle most of this installation, which will include a wall thimble that will allow the proper clearance through a combustible wall. Once outside the structure, a 3 in.(76mm) clearance should be maintained from the outside wall and a clean out tee should be placed on the pipe with a 90-degree turn away from the house. At this point, a 3ft (0.91m) (minimum) section of pipe should be added with a horizontal cap, which would complete the installation (see FIGURE 7).

A support bracket should be placed just below the termination cap or one every 4ft (1.22m) to make the system more stable. If you live in an area that has heavy snowfall, it is recommended that the installation be taller than 3ft (0.91m) to get above the snowdrift line. This same installation can be used if your heater is below ground level by simply adding the clean-out section and vertical pipe inside until ground level is reached. With this installation you have to be aware of the snowdrift line, dead grass, and leaves. We require a 3ft (0.91m) minimum vertical rise on the inside or outside of the house.

The “through the wall” installation is the least expensive and simplest installation. Never terminate the end vent under a deck, in an alcove, under a window, or between two windows. We recommend Simpson Dura-Vent® or Metal-Fab® kits.

THROUGH THE ROOF/CEILING INSTALLATION

When venting the heater through the ceiling, the pipe is connected the same as through the wall, except the clean-out tee is always on the inside of the house, and a 3 in.(76mm) adapter is added before the clean-out tee.

You must use the proper ceiling support flanges and roof flashing (supplied by the pipe manufacturer; follow the pipe manufacturer’s directions). It is important to note that if your vertical run of pipe is more than 12ft (3.66m), the pellet vent pipe size should be increased to 4 in. (102mm) in diameter.

Do not exceed more than 4ft (1.22m) of pipe on a horizontal run and use as few elbows as possible. If an offset is required, it is better to install 45-degree elbows rather than 90-degree elbows.

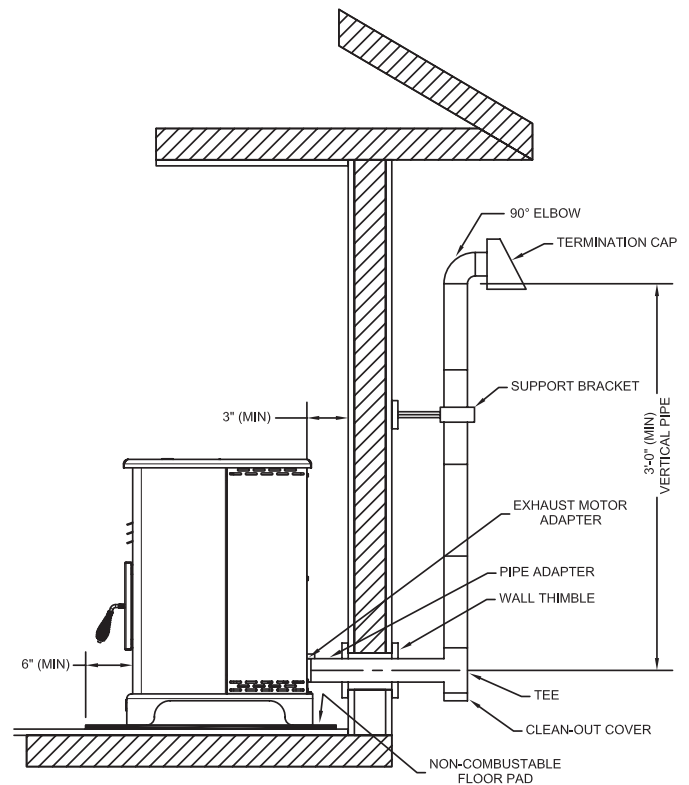


FIGURE 7
TYPICAL THROUGH THE WALL INSTALLATION

Installation

OUTSIDE AIR SUPPLY (OPTIONAL, UNLESS INSTALLING IN A MOBILE HOME) OR AN AIRTIGHT HOME

Depending on your location and home construction, outside air may be necessary for optimal performance. Metal pipe (solid or flexible) must be used for the outside air installation. PVC pipe is NOT approved and should NEVER be used.

A wind shield over the termination of the outside air pipe or a 90-degree elbow or bend away from the prevailing winds MUST be used when an outside air pipe is installed through the side of a building. The outside air termination MUST be at least 1ft (0.305m) away from the exhaust system termination.

The outside air pipe on your heater is 2" (50.8mm) OD. The outside air connecting pipe must be at least 2" (50.8mm) ID. The outside air connection used MUST NOT restrict the amount of air available to your heater. The outside air connecting pipe must be as short and free of bends as possible, and it must fit over, not inside, the outside air connection to the heater.

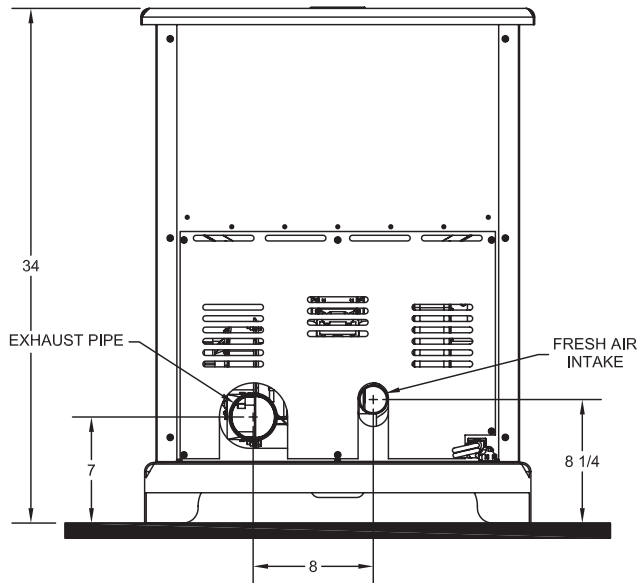


FIGURE 8
EXHAUST/INLET LOCATIONS

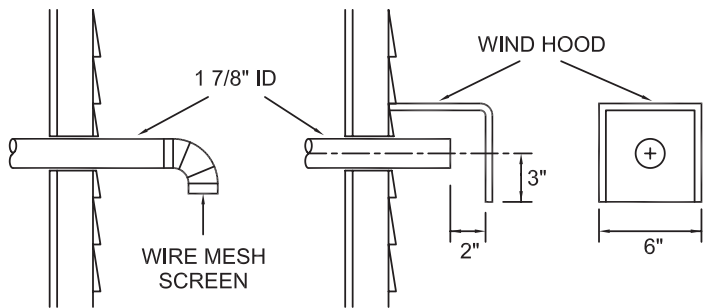


FIGURE 9
TYPICAL FRESH AIR TERMINATION

NOTE: Dimensions from the floor to your stoves inlet/exhaust pipes are approximate and may vary depending on your installation.

SPECIAL MOBILE HOME REQUIREMENTS

- **WARNING!** - Do not install in a sleeping room
- **CAUTION!** - The structural integrity of the mobile home floor, wall, and ceiling/roof must be maintained.
- A working smoke detector must be installed in the same room as this product.
- It must be installed at least 15 feet (4.57 m) from the appliance in order to prevent undue triggering of the detector when reloading.

In addition to the previously detailed installation requirements, mobile home installations must meet the following requirements:

- The heater must be permanently bolted to the floor through provided holes in the base.
- The heater must be electrically grounded to the steel chassis of the mobile home with 8 GA copper wire using a serrated or star washer to penetrate paint or protective coating to ensure grounding.
- Vent must be 3 or 4-inch "PL" Vent and must extend a minimum of 36 in. (914mm) above the roof line of the mobile home and must be installed using a UL listed ceiling fire stop and rain cap.
- When moving your mobile home, all exterior venting must be removed while the mobile home is being relocated. After relocation, all venting must be reinstalled and securely fastened.
- Outside Air is mandatory for mobile home installation. See your dealer for purchasing or call customer service.
- Check with your local building officials as other codes may apply.

Control Panel

PANEL CONTROLS

The blowers and automatic fuel supply are controlled from a panel on the left side of the appliance. The control panel functions are as follows:

A. ON/OFF SWITCH

- When pushed the stove will automatically ignite. No other firestarter is necessary. The igniter will stay on for at least 10 and up to 15 minutes, depending on when Proof of Fire is reached. The fire should start in about 5 minutes.
- the green light located above the On/Off button (in the On/Off box) will flash during the ignition start-up period.
- The Heat Level Advance is inoperable during the ignition start period. When the green light continuously stays on, the Heat Level Advance can be adjusted to achieve the desired heat output.

To manually ignite in case of ignitor failure. Place a handful of pellets in the burnpot. Add starter gel for pellet stoves, ignite, close door, turn the unit on.. Replace the ignitor as soon as possible.

NOTE: If the stove has been shut off, and you want to re-start it while it is still warm, the "on/off" button must be held down for 2 seconds.

B. FUEL FEED SWITCH

- When the "Fuel Feed" button is pushed and held down, the stove will feed pellets continuously into the burn pot.
- While the stove's auger system is feeding pellets, the green light (in the "Fuel Feed" box) will be on.

CAUTION: DO NOT USE THIS CONTROL DURING NORMAL OPERATION BECAUSE IT COULD SMOTHER THE FIRE AND LEAD TO A DANGEROUS SITUATION.

C. HIGH FAN SWITCH

- The room air fan speed varies directly with the feed rate. The "HIGH FAN" switch overrides this variable speed function. It will set the room air blower speed to high at any feed rate setting.
- When the "HIGH FAN" button is pushed, the room air fan will switch to its highest setting.
- When this button is pushed again, the room air fan will return to its original setting based on the Heat Level Advance setting.

D. RESET TRIM

Different size and quality pellet fuel may require adjustment of the "1" feed setting on the Heat Level Advance bar graph. This is usually a one-time adjustment based on the fuel you are using. The "RESET TRIM" button when adjusted will allow for 3 different feed rate settings for the #1 feed setting only. To adjust simply push the "RESET TRIM" button while the stove is operating at setting "1" and watch the bar graph.

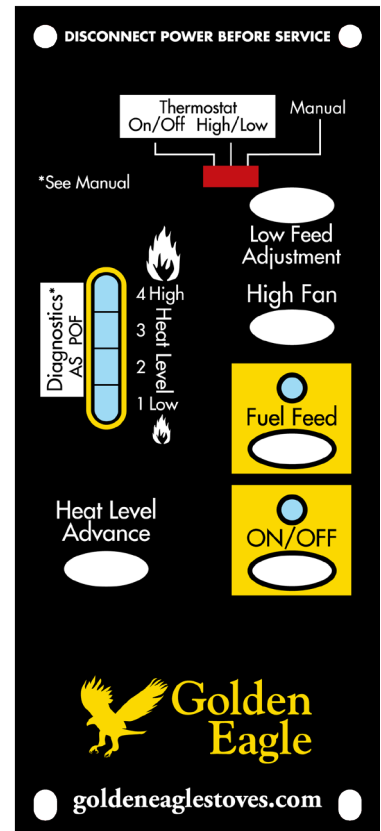
- When the "1" & "3" lights are illuminated on the bar graph the low feed rate is at its "lowest" setting. (Approx. 0.9 pounds per hour)
- When the "1" light is illuminated on the bar graph, the low feed rate is at its "normal" setting.
- When the "1" & "4" lights are illuminated on the bar graph, the low feed rate is at its "highest" setting.

NOTE: When the stove is set on "1" the "reset trim" values will be shown on the Heat Level Advance bar graph. For example if the Reset Trim is set to its lowest setting every time the stove is set to low the "1" and "3" lights will be illuminated on the bar graph.

E. HEAT LEVEL ADVANCE

- This button, when pushed, will set the pellet feed rate, hence the heat output of your stove. The levels of heat output will incrementally change on the bar graph starting from level "1" to "4".

NOTE: When dropping 3 or more heat level settings (4 to 1,) push the 'High Fan' button and allow the room air fan to run at that setting for at least 5 minutes to prevent the stove from tripping the high temp thermodisc. If the high temp thermodisc does trip, see "SAFETY FEATURES".



Operation

- DO NOT USE CHEMICALS OR FLUIDS TO START THE FIRE - Never use gasoline, gasoline-type lantern fuel, kerosene, charcoal lighter fluid, or similar liquids to start or "freshen up" a fire in this stove. Keep all such liquids well away from the stove while it is in use.
- HOT WHILE IN OPERATION. KEEP CHILDREN, CLOTHING AND FURNITURE AWAY. CONTACT MAY CAUSE SKINS BURNS.
- DO NOT USE GRATES OR ELEVATE THE FIRE. BUILD FIRE DIRECTLY ON HEARTH.
- DO NOT OVERFIRE - IF HEATER OR CHIMNEY CONNECTOR GLOWS, YOU ARE OVERFIRING.
- Attempts to achieve heat output rates that exceed heater design specifications can result in permanent damage to the heater.

This heater is designed to burn only PFI Premium grade pellets. This appliance can also burn pellets rated as standard after May 16, 2015

DO NOT BURN:

1. Garbage;
2. Lawn clippings or yard waste;
3. Materials containing rubber, including tires;
4. Materials containing plastic;
5. Waste petroleum products, paints or paint thinners, or asphalt products;
6. Materials containing asbestos;
7. Construction or demolition debris;
8. Railroad ties or pressure-treated wood;
9. Manure or animal remains;
10. Salt water driftwood or other previously salt water saturated materials;
11. Unseasoned wood; or
12. Paper products, cardboard, plywood, or particleboard. The prohibition against burning these materials does not prohibit the use of fire starters made from paper, cardboard, saw dust, wax and similar substances for the purpose of starting a fire in an affected wood heater.

Burning these materials may result in release of toxic fumes or render the heater ineffective and cause smoke.

PROPER FUEL

THIS STOVE IS APPROVED FOR BURNING PELLETIZED WOOD FUEL ONLY! Factory-approved pellets are those 1/4" or 5/16" in diameter and not over 1" long. Longer or thicker pellets sometimes bridge the auger flights, which prevents proper pellet feed. Burning wood in forms other than pellets is not permitted. It will violate the building codes for which the stove has been approved and will void all warranties. The design incorporates automatic feed of the pellet fuel into the fire at a carefully prescribed rate. Any additional fuel introduced by hand will not increase heat output but may seriously impair the stoves performance by generating considerable smoke. Do not burn wet pellets. The stove's performance depends heavily on the quality of your pellet fuel. Avoid pellet brands that display these characteristics:

- a. Excess Fines – "Fines" is a term describing crushed pellets or loose material that looks like sawdust or sand. Pellets can be screened before being placed in hopper to remove most fines.
- b. Binders – Some pellets are produced with materials to hold the together or "bind" them.
- c. High ash content – Poor quality pellets will often create smoke and dirty glass. They will create a need for more frequent maintenance. You will have to empty the burn pot plus vacuum the entire system more often. Poor quality pellets could damage the auger. United States Stove Co. cannot accept responsibility for damage due to poor quality pellets.

Operation

PRE-START-UP CHECK

Remove burn pot, making sure it is clean and none of the air holes are plugged. Clean the firebox, and then reinstall burn pot. Clean door glass, if necessary (a dry cloth or paper towel is usually sufficient). Never use abrasive cleaners on the glass or door. Check fuel in the hopper, and refill if necessary.

NOTE: The 5520 Hopper can hold up to 120 lbs. of pellets.

BUILDING A FIRE

Never use a grate or other means of supporting the fuel. Use only the burn pot supplied with this heater.

Hopper lid must be closed in order for the unit to feed pellets. If it is the first time you have started the unit, or anytime the hopper has been emptied of pellets, it will be necessary to prime the auger. In order to prime the auger press and hold the fuel feed button after starting the unit. Keep fuel feed button depressed until pellets begin to fall into the burn pot, then release the fuel feed button and allow the unit to operate normally.

During the start up period:

1. DO NOT open the viewing door.
2. DO NOT open the damper more than 1/4".
3. DO NOT add pellets to the burn pot by hand.
4. DO NOT use the Fuel Feed button (unless you are priming the auger after running out of pellets). A dangerous condition could result.

NOTE: During the first few fires, your stove will emit an odor as the high temperature paint cures or becomes seasoned to the metal. Maintaining smaller fires will minimize this. Avoid placing items on stove top during this period because paint could be affected.

THE AUTOMATIC FIRESTARTER

- a. Fill hopper and clean burn pot.
- b. Press "On/Off" button. Make sure light is on.
- c. The damper should be completely closed or open no more than 1/4" during start-up. This will vary depending on your installation and elevation. Once fire is established adjust for desired flame increasing the amount the damper is open as the heat setting is increased. (See "DAMPER CONTROL")
- d. Adjust feed rate to desired setting by pressing "Heat Level Advance" button.

If fire doesn't start in 15 minutes, press "On/Off", wait a few minutes, clear the burn pot, and start procedure again.

Primary Air Settings (Slide Damper is located on the left side of the stove) (Damper Adjustment: Pulling out on damper increases air)	
Low	Heat setting 1, air slide fully closed
Medium - Low	Heat setting 2, air slide set at 0.365" from full closed
Medium - High	Heat setting 3, air slide set at 1" from full closed
High	Heat setting 4, air slide fully open

DAMPER CONTROL

The damper control rod on the stove's lower left side adjusts the combustion air. This control is necessary due to the varied burn characteristics of individual installations, different pellet brands and pellet feed rates. It allows you to improve the efficiency of your stove. Providing correct combustion air will reduce the frequency of cleaning your glass door and prevent the rapid buildup of creosote inside your stove and chimney.

You should adjust the damper based on the fire's appearance. A low, reddish, dirty fire can be improved by pulling the damper out slightly. A "blow torch" fire can be improved by pushing the damper in a bit.

As a general rule, on lower feed rate settings, the damper should be in farther. On higher feed rates, the damper should be more open. Through trial and error, you will find the best setting. Consult your dealer if you need help.

NOTE: On "1", damper should be either completely closed or out approximately 1/8" to 1/4". If damper is out too far, it can cause the fire to go out.

OPENING DOOR

If the door is opened while the stove is in operation it must be closed within 30 seconds or the stove will shut down. If the stove shuts down push the "On/Off" button to re-start your stove.

Operation

ROOM AIR FAN

When starting your stove the Room Air Fan will not come on until the stove's heat exchanger warms up. This usually takes about 10 minutes from start-up.

RE-STARTING A WARM STOVE

If the stove has been shut off, and you want to re-start it while it is still warm, the "on/off" button must be held down for 2 seconds.

IF STOVE RUNS OUT OF PELLETS

The fire goes out and the auger motor and blowers will run until the stove cools. This will take 30 to 45 minutes. After the stove components stop running the "On/Off" and the BAR GRAPH lights stay on for 10 minutes. After the 10 minutes the "3" light on the bar graph will flash and the "On/Off" light will go off. To restart, refill hopper and press "Fuel Feed" button until pellets begin to fall into burn pot. Press "On/Off" button.

REFUELING

- The hopper and stove top will be hot during operation; therefore, you should always use some type of hand protection when refueling your stove.
- Never place your hand near the auger while the stove is in operation.

We recommend that you not let the hopper drop below ¼ full.

KEEP HOPPER LID CLOSED AT ALL TIMES EXCEPT WHEN REFILLING. DO NOT OVERFILL HOPPER.

SHUTDOWN PROCEDURE

Turning your stove off is a matter of pressing the "On/Off" control panel switch. The red light will go out. The blowers will continue to operate until internal firebox temperatures have fallen to a preset level.

WARNING: Never shut down this unit by unplugging it from the power source.
--

SAFETY FEATURES

- a. Your stove is equipped with a high temperature thermodisc. This safety switch has two functions.
 1. To recognize an overheat situation in the stove and shut down the fuel feed or auger system.
 2. In case of a malfunctioning convection blower, the high-temperature thermodisc will automatically shut down the auger, preventing the stove from overheating.

NOTE: On some units, once tripped, like a circuit breaker, the reset button will have to be pushed before restarting your stove. On other units the thermodisc has no reset button and will reset itself once the stove has cooled. The manufacturer recommends that you call your dealer if this occurs as this may indicate a more serious problem. A service call may be required.

- b. If the combustion blower fails, an air pressure switch will automatically shut down the auger.

NOTE: Opening the stove door for more than 30 seconds during operation will cause enough pressure change to activate the air switch, shutting the fuel feed off. Close the door and press "On/Off" button to continue operation of your stove.

TAMPER WARNING

This wood heater has a manufacturer-set minimum low burn rate that must not be altered. It is against federal regulations to alter this setting or otherwise operate this wood heater in a manner inconsistent with operating instructions in this manual.

Thermostat Installation

OPTIONAL THERMOSTAT

A optional thermostat may help you maintain a constant house temperature automatically. A millivolt thermostat is required. A fixed wall mount or hand held model can be used. The control panel can be set up two ways to operate your stove in thermostat mode.

THERMOSTAT INSTALLATION

- A MILLIVOLT NON-PROGRAMMABLE THERMOSTAT IS REQUIRED.
- Unplug stove from power outlet.
- Remove control board from stove.
- The two thermostat wires connect to the terminal block on the lower left side of the back of the control board.
- Insert the wires in the terminal side and tighten the two screws.

MODES

TO SWITCH BETWEEN ANY OF THE THREE MODES THE STOVE MUST BE SHUT OFF, THE NEW MODE SELECTED, AND THE STOVE RESTARTED.

MANUAL MODE

- USE THIS MODE EXCLUSIVELY IF YOU DO NOT CONNECT AN OPTIONAL THERMOSTAT.
- In this mode the stove will operate only from the control panel as detailed in the "OPERATION" section of this owner's manual.

HIGH/LOW THERMOSTAT MODE

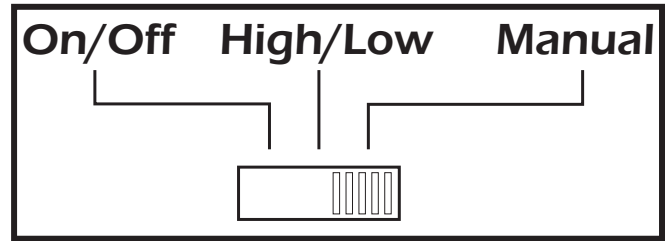
- USE THIS MODE ONLY IF YOU CONNECT A THERMOSTAT.
- When engaged in this mode the stove will automatically switch between two settings. When warm enough, it will switch to the #1 or low setting. The room air blower will also slow to its lowest speed.
- The Heat Level Advance setting on the bar graph will stay where it was initially set. When the house cools below the thermostat setting, the stove will switch to the feed rate of the heat level advance setting.

ON/OFF THERMOSTAT MODE (IGNITOR LIFE WILL BE CUT DOWN IN THIS MODE)

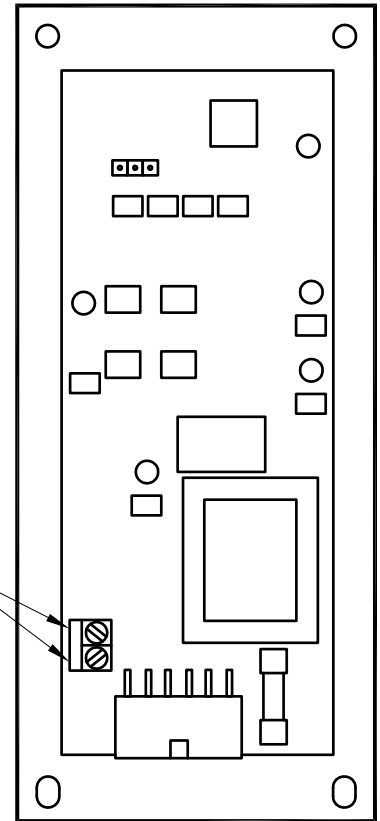
- USE THIS MODE ONLY IF YOU CONNECT A THERMOSTAT.
- In this mode, when the home is warm enough the stove will shut off. The fans will continue to run until the stove cools.
- When the home cools below the thermostat setting, the stove will automatically restart and run at the last feed rate setting.

NOTE: When in "high/low" or "on/off" thermostat mode –

- Do not operate the stove higher than the #3 setting.
- Set damper control rod approximately 1/4" to 1/2" out. This will vary depending on elevation and weather conditions. Observe stoves operation and adjust damper as necessary.



CONNECT
THERMOSTAT
WIRES HERE.



Maintenance

- Failure to clean and maintain this unit as indicated can result in poor performance and safety hazards.
- Unplug your stove's electrical cord prior to removing the back panel or opening the exhaust system for any inspection, cleaning, or maintenance work.
- Never perform any inspections, cleaning, or maintenance on a hot stove.
- Do not operate stove with broken glass, leakage of flue gas may result.
- WARNING THE CHIMNEY AND CHIMNEY CONNECTOR MUST BE KEPT IN GOOD CONDITION AND CLEAN.

EXHAUST SYSTEM

Creosote Formation – When any wood is burned slowly, it produces tar and other organic vapors, which combine with expelled moisture to form creosote. The creosote vapors condense in the relatively cool chimney flue or a newly started fire or from a slow-burning fire. As a result, creosote residue accumulates on the flue lining. When ignited, this creosote makes an extremely hot fire, which may damage the chimney or even destroy the house. Despite their high efficiency, pellet stoves can accumulate creosote under certain conditions.

Soot and Flyash: Formation and Need for Removal- The products of combustion will contain small particles of flyash. The flyash will collect in the exhaust venting system and restrict the flow of the flue gases. Incomplete combustion, such as occurs during startup, shutdown, or incorrect operation of the room heater will lead to some soot formation which will collect in the exhaust venting system. The exhaust venting system should be inspected at least once every year to determine if cleaning is necessary.

Inspection and Removal – The chimney connector and chimney should be inspected annually or per ton of pellets to determine if creosote or fly ash build-up has occurred. If creosote has accumulated, it should be removed to reduce the risk of a chimney fire. Inspect the system at the stove connection and at the chimney top. Cooler surfaces tend to build creosote deposits quicker, so it is important to check the chimney from the top as well as from the bottom. The creosote should be removed with a brush specifically designed for the type of chimney in use. A qualified chimney sweep can perform this service. It is also recommended that before each heating season the entire system be professionally inspected, cleaned and, if necessary, repaired. To clean the chimney, disconnect the vent from the stove.

INTERIOR CHAMBERS

Periodically remove and clean the burn pot and the area inside the burn pot housing. In particular it is advisable to clean out the holes in the burn pot to remove any build up that may prevent air from moving through the burn pot freely. Remove the two(2) plates on each side of the burn pot housing and clean out that rear chamber.

If a vacuum is used to clean your stove, we suggest using a vacuum designed for ash removal. Some regular vacuum cleaner (i.e. shop vacs) may leak ash into the room.

ASH DISPOSAL

Ashes should be placed in a metal container with a tight fitting lid. The closed container of ashes should be placed on a noncombustible floor or on the ground, well away from all combustible materials, pending final disposal. If the ashes are disposed of by burial in soil or otherwise locally dispersed, they should be retained in the closed container until all cinders have been thoroughly cooled. The container shall not be used for other trash or waste disposal.

SMOKE AND CO MONITORS

Burning wood naturally produces smoke and carbon monoxide(CO) emissions. CO is a poisonous gas when exposed to elevated concentrations for extended periods of time. While the modern combustion systems in heaters drastically reduce the amount of CO emitted out the chimney, exposure to the gases in closed or confined areas can be dangerous. Make sure you stove gaskets and chimney joints are in good working order and sealing properly to ensure unintended exposure. It is recommended that you use both smoke and CO monitors in areas having the potential to generate CO.

CHECK AND CLEAN THE HOPPER

Check the hopper periodically to determine if there is any sawdust or pellets that are sticking to the hopper surface. Clean as needed.

DOOR AND GLASS GASKETS

Inspect the main door and glass window gaskets periodically. The main door may need to be removed to have frayed, broken, or compacted gaskets replaced by your authorized dealer. The glass gasket has a gap at the bottom for the air wash. This unit's door uses a 3/4" diameter rope gasket.

Maintenance

BLOWER MOTORS

Clean the air holes on the motors of both the exhaust and distribution blowers annually. Remove the exhaust blower from the exhaust duct and clean out the internal fan blades and housing as part of your fall start-up.

PAINTED SURFACES

Painted surfaces may be wiped down with a damp cloth. If scratches appear, or you wish to renew your paint, contact your authorized dealer to obtain a can of suitable high-temperature paint.

GLASS - CLEANING, REMOVAL AND REPLACEMENT OF BROKEN DOOR GLASS

Cleaning - We recommend using a high quality glass cleaner. Should a build up of creosote or carbon accumulate, you may wish to use 000 steel wool and water to clean the glass. DO NOT use abrasive cleaners. DO NOT perform the cleaning while the glass is HOT. ,

In the event you need to replace the glass, remove the six(6) screws and glass retainers. While wearing leather gloves (or any other gloves suitable for handling broken glass), carefully remove any loose pieces of glass from the door frame. Dispose of all broken glass properly. ONLY high temperature ceramic glass of the correct size and thickness may be used. DO NOT substitute alternative materials for the glass. Contact your authorized dealer to obtain this glass. Re-install the new glass by re-attaching the retainers and screws, careful not to overtighten the screws for this could damage the glass.

DO NOT abuse the door glass by striking, slamming or similar trauma. Do not operate the stove with the glass removed, cracked or broken.

FALL START UP

Prior to starting the first fire of the heating season, check the outside area around the exhaust and air intake systems for obstructions. Clean and remove any fly ash from the exhaust venting system. Clean any screens on the exhaust system and on the outside air intake pipe. Turn all of the controls on and make sure that they are working properly. This is also a good time to give the entire stove a good cleaning throughout.

SPRING SHUTDOWN

After the last burn in the spring, remove any remaining pellets from the hopper and the auger feed system. Scoop out the pellets and then run the auger until the hopper is empty and pellets stop flowing (this can be done by pressing the “ON” button with the viewing door open). Vacuum out the hopper. Thoroughly clean the burn pot, and firebox. It may be desirable to spray the inside of the cleaned hopper with an aerosol silicone spray if your stove is in a high humidity area. The exhaust system should be thoroughly cleaned.

MAINTENANCE SCHEDULE

Use the following as a guide under average use conditions.

Gaskets around door and door glass should be inspected and repaired or replaced when necessary.

	Daily	Weekly	Monthly or as needed
Burn Pot	Stirred	Empty	
Combustion Chamber		Brushed	
Ashes		Check	Empty
Interior Chambers			Vacuumed
Combustion Blower Blades			Vacuumed / Brushed
Convection Blower Impeller			Vacuumed / Brushed
Vent System			Cleaned
Gaskets			Inspected
Glass	Wiped	Cleaned	
Hopper (end of season)			Emptied and vacuumed

CAUTION: This wood heater needs periodic inspection and repair for proper operation. It is against federal regulations to operate this wood heater in a manner inconsistent with operating instructions in this manual.

Trouble Shooting Guide

When your stove acts out of the ordinary, the first reaction is to call for help. This guide may save time and money by enabling you to solve simple problems yourself. Problems encountered are often the result of only five factors: 1) poor fuel; 2) poor operation or maintenance; 3) poor installation; 4) component failure; 5) factory defect. You can usually solve those problems related to 1 and 2. Your dealer can solve problems relating to 3, 4 and 5. Refer to the diagrams to help locate indicated parts.

For the sake of troubleshooting and using this guide to assist you. You should look at your heat level setting to see which light is flashing.

- Disconnect the power cord before performing any maintenance! NOTE: Turning the ON/OFF Switch to "OFF" does not disconnect all power to the electrical components of the stove.
- Never try to repair or replace any part of the stove unless instructions for doing so are given in this manual. All other work should be done by a trained technician.

STOVE SHUTS OFF AND THE #2 LIGHT FLASHES	
Possible Causes:	Possible Remedies: (Unplug stove first when possible)
1. Airflow switch hose or stove attachment pipes for hose are blocked.	Unhook air hose from the air switch and blow through it. If air flows freely, the hose and tube are fine. If air will not flow through the hose, use a wire coat hanger to clear the blockage.
2. The air inlet, burnpot, interior combustion air chambers, combustion blower, or exhaust pipe are blocked with ash or foreign material.	Follow all cleaning procedures in the maintenance section of the owner's manual.
3. The firebox is not properly sealed.	Make sure the door is closed and that the gasket is in good shape. If the ash door has a latch, make sure the ash door is properly latched and the gasket is sealing good. If the stove has just a small hole for the ashes to fall through under the burnpot, make sure the slider plate is in place to seal off the firebox floor.
4. Vent pipe is incorrectly installed.	Check to make sure vent pipe installation meets criteria in owner's manual.
5. The airflow switch wire connections are bad.	Check the connectors that attach the gray wires to the air switch.
6. The gray wires are pulled loose at the Molex connector on the wiring harness.	Check to see if the gray wires are loose at the Molex connector.
7. Combustion blower failure.	With the stove on, check to see if the combustion blower is running. If it is not, you will need to check for power going to the combustion blower. It should be a full current. If there is power, the blower is bad. If there is not, see #8.
8. Control board not sending power to combustion blower.	If there is no current going to the combustion blower, check all wire connections. If all wires are properly connected, you have a bad control board.
9. Control board not sending power to air switch.	There should be a 5-volt current (approximately) going to the air switch after the stove has been on for 30 seconds.
10. Air switch has failed (very rare).	To test the air switch, you will need to disconnect the air hose from the body of the stove. With the other end still attached to the air switch, very gently suck on the loose end of the hose (you may want to remove the hose entirely off the stove and the air switch first and make sure it is clear). If you hear a click, the air switch is working. BE CAREFUL TOO MUCH VACUUM CAN DAMAGE THE AIR SWITCH.

Trouble Shooting Guide

STOVE SHUTS OFF AND THE #3 LIGHT FLASHES	
Possible Causes	Possible Remedies: (Unplug stove first when possible)
1. The hopper is out of pellets.	Refill the hopper.
2. The air damper is too far open for a low feed setting.	If burning on the low setting, you may need to close the damper all the way (push the knob in so it touches the side of the stove).
3. The burnpot is not pushed completely to the rear of the firebox.	Make sure that the air intake collar on the burnpot is touching the rear wall of the firebox.
4. The burnpot holes are blocked.	Remove the burnpot and thoroughly clean it.
5. The air inlet, the interior chambers, or exhaust system has a partial blockage.	Follow all cleaning procedures in the maintenance section of the owner's manual.
6. The hopper safety switch has failed or hopper is open.	When operating the unit, be sure the hopper lid is closed so that the hopper safety switch will activate. Check the wires leading from the hopper safety switch to the control panel and auger motor for secure connections. Use a continuity tester to test the hopper safety switch; replace if necessary.
7. The auger shaft is jammed.	Start by emptying the hopper. Then remove the auger motor by removing the auger pin. Remove the auger shaft inspection plate in the hopper so that you can see the auger shaft. Gently lift the auger shaft straight up so that the end of the auger shaft comes up out of the bottom auger bushing. Next, remove the two nuts that hold the top auger biscuit in. Then rotate the bottom end of the auger shaft up towards you until you can lift the shaft out of the stove. After you have removed the shaft, inspect it for bent flights, burrs, or broken welds. Remove any foreign material that might have caused the jam. Also, check the auger tube for signs of damage such as burrs, rough spots, or grooves cut into the metal that could have caused a jam.
8. The auger motor has failed.	Remove the auger motor from the auger shaft and try to run the unit. If the motor will turn the shaft is jammed on something. If the motor will not turn, the motor is bad.
9. The Proof of Fire (POF) thermodisc has malfunctioned.	Temporarily bypass the POF thermodisc by disconnecting the two brown wires and connecting them with a short piece of wire. Then plug the stove back in. If the stove comes on and works, you need to replace the POF thermodisc. This is for testing only. DO NOT LEAVE THE THERMODISC BYPASSED. Your blowers will never shut off and if the fire went out, the auger will continue to feed pellets until the hopper is empty if you leave the POF thermodisc bypassed.
10. The high limit thermodisc has tripped or is defective.	Wait for the stove to cool for about 30 - 45 minutes. Locate the High Limit thermodisc and press the reset button on the back of it. If the heater will not restart, check the thermodisc to see if it's bad. To test if the thermodisc is bad, you can bypass it as described previously for the POF thermodisc.
11. The fuse on the control board has blown.	Remove the control board. On the back there is one fuse. If it appears to be bad, replace it with a 5 Amp, 125 Volt fuse. Plug the stove back in and try to run the unit.
12. The control board is not sending power to the POF thermodisc or other auger system components.	There should be a 5-volt (approximately) current going to the POF thermodisc after the stove has been on for 10 minutes.

Trouble Shooting Guide

STOVE FEEDS PELLETS, BUT WILL NOT IGNITE	
Possible Causes	Possible Remedies: (Unplug stove first when possible)
1. Air damper open too far for ignition.	Push the air damper in closer to the side of the stove for startup. In some situations it may be necessary to have the damper completely closed for ignition to take place. After there is a flame, the damper can then be adjusted for the desired feed setting.
2. Blockage in igniter tube or inlet for igniter tube.	Find the igniter housing on the backside of the firewall. The air intake hole is a small hole located on bottom side of the housing. Make sure it is clear. Also, look from the front of the stove to make sure there is not any debris around the igniter element inside of the igniter housing.
3. The burnpot is not pushed completely to the rear of the firebox.	Make sure that the air intake collar on the burnpot is touching the rear wall of the firebox.
4. Bad igniter element.	Put power directly to the igniter element. Watch the tip of the igniter from the front of the stove. After about 2 minutes the tip should glow. If it does not, the element is bad.
5. The control board is not sending power to the igniter.	Check the voltage going to the igniter during startup. It should be a full current. If the voltage is lower than full current, check the wiring. If the wiring checks out good, the board is bad.

SMOKE SMELL COMING BACK INTO THE HOME	
Possible Causes	Possible Remedies: (Unplug stove first when possible)
1. There is a leak in the vent pipe system.	Inspect all vent pipe connections. Make sure they are sealed with RTV silicone that has a temperature rating on 500 degree F or higher. Also, seal joints with UL-181-AP foil tape. Make sure the square to round adapter piece on the combustion blower has been properly sealed with the same RTV.
2. The gasket on the combustion blower has gone bad.	Inspect both gaskets on the combustion blower to make sure they are in good shape.
Because it is a wood-burning device, your pellet heater may emit a faint wood-burning odor. If this increases beyond normal, or if you notice an unusual soot build-up on walls or furniture, check your exhaust system carefully for leaks. All joints should be properly sealed. Also clean your stove, following instructions in "MAINTENANCE". If problem persists, contact your dealer.	

CONVECTION BLOWER SHUTS OFF AND COMES BACK ON	
Possible Causes	Possible Remedies: (Unplug stove first when possible)
1. The convection blower is overheating and tripping the internal temperature shutoff.	Clean any dust off of the windings and fan blades. If cleaning the blower does not help, the blower may be bad.
2. Circuit board malfunction.	Test the current going to the convection blower. If there is power being sent to the blower when it is shut off, then the control board is fine. If there is NOT power being sent to the blower when it shuts off during operation, then you have a bad control board.

Trouble Shooting Guide

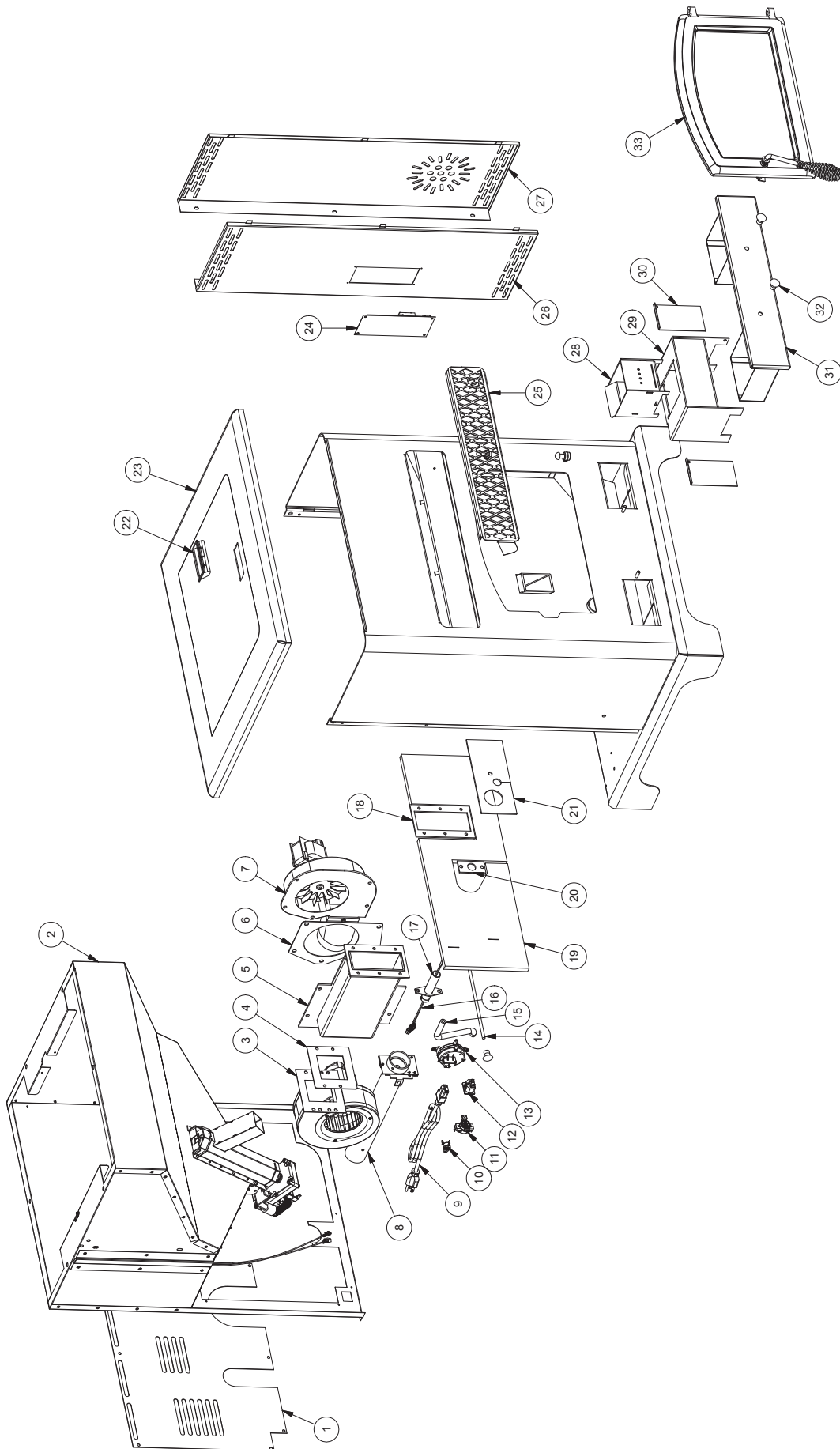
STOVE WILL NOT FEED PELLETS, BUT FUEL FEED LIGHT COMES ON AS DESIGNED	
Possible Causes	Possible Remedies: (Unplug stove first when possible)
1. Fuse on control board blew.	Remove the control board. On the back there is one fuse. If it appears to be bad, replace it with a 5 Amp 125 Volt fuse. Plug the stove back in and try to run the unit.
2. High limit switch has tripped or is defective.	Wait for the stove to cool for about 30 - 45 minutes. Locate the High Limit thermodisc and press the reset button on the back of it. If the heater will not restart, check the thermodisc to see if it's bad. To test if the thermodisc is bad, you can bypass it as described previously for the POF thermodisc.
3. Bad Auger Motor.	Remove the auger motor from the auger shaft and try to run the unit. If the motor will turn, the shaft is jammed on something. If the motor will not turn, the motor is bad.
4. Auger Jam.	Start by emptying the hopper. Then remove the auger motor by removing the auger pin. Remove the auger shaft inspection plate in the hopper so that you can see the auger shaft. Gently lift the auger shaft straight up so that the end of the auger shaft comes up out of the bottom auger bushing. Next, remove the two nuts that hold the top auger biscuit in. Then rotate the bottom end of the auger shaft up towards you until you can lift the shaft out of the stove. After you have removed the shaft, inspect it for bent flights, burrs, or broken welds. Remove any foreign material that might have caused the jam. Also, check the auger tube for signs of damage such as burrs, rough spots, or grooves cut into the metal that could have caused a jam.
5. Loose wire or connector.	Check all wires and connectors that connector to the auger motor, high limit switch, and the Molex connector.
6. Bad control board.	If the fuse is good, the wires and connectors check out good, and the high limit switch did not trip, test for power going to the auger motor. If there is not a full current going to the auger motor when the fuel feed light is on, you have a bad control board.

HIGH LIMIT SWITCH KEEPS TRIPPING	
Possible Causes	Possible Remedies: (Unplug stove first when possible)
1. The convection blower is overheating and tripping the internal temperature shutoff.	Clean any dust off of the windings and fan blades. If oiling the blower does not help, the blower may be bad.
2. The stove is being left on the highest setting for extended periods of time.	If operating the heater on the highest heat setting, the room temperature could increase enough and lead to potential overheating situations. If this happens, try operating at a lower heat setting.
3. Fuel other than wood pellets is being burned in the stove.	This pellet stove is designed and tested to use wood pellets. Check for signs of fuel other than wood pellets. No other types of fuel have been approved for this pellet stove. If there are signs of other types of fuel being used, stop using them immediately.
4. Power surge or brown out situation.	A power surge, spike, or voltage drop could cause the high limit switch to trip. Check to see if a surge protector is being used on the stove. A battery backup may be used if rated at least 1000W.
5. High limit switch is malfunctioning.	If the other items check out OK, replace the high limit switch.

Trouble Shooting Guide

<ul style="list-style-type: none"> • GLASS "SOOT'S" UP AT A VERY FAST RATE • FLAME IS LAZY, DARK, AND HAS BLACK TIPS • AFTER STOVE HAS BEEN ON FOR A WHILE, THE BURNPOT OVERFILLS 	
Possible Causes	Possible Remedies: (Unplug stove first when possible)
1. Stove or vent pipe is dirty, which restricts airflow through the burnpot.	Follow all cleaning procedure in the maintenance section of the owner's manual.
2. Vent pipe installed improperly.	Check to make sure the vent pipe has been installed according to the criteria in the owner's manual.
3. Air damper is set too far in (closed) for a higher setting.	Pull the damper knob farther out away from the side of the stove and try to burn the unit again.
4. Burnpot holes are blocked.	Remove the burnpot and thoroughly clean it.
5. Air damper is broken.	Visually inspect the damper assembly. Make sure the damper plate is attached to the damper rod. When the damper rod is moved the plate should move with it.
6. Blockage in air intake pipe.	Visually inspect the air intake pipe that leads into the burnpot for foreign material.
7. Circuit board malfunction.	Time the fuel feed light at each setting (after the stove has completed the startup cycle). Make sure the times match the auger timing chart. If the auger motor runs constantly, the board is bad.
8. Combustion blower is not spinning fast enough.	Test the RPM on the blower after the blades have been cleaned. The RPM should be approximately 3000 RPM.
9. Bad Pellets (Applies to GLASS "SOOT'S" UP AT A VERY FAST RATE Only)	The brand of pellets or the batch of pellets that are being used may be of poor quality. If possible, try a different brand of pellets. You might also want to try a brand that is made from a different type of wood (softwood vs. hardwood). Different woods have different characteristics when being burned.
10. The trim setting on the low feed rate is to low (Applies to GLASS "SOOT'S" UP AT A VERY FAST RATE Only)	Use the "Reset Trim" button to increase the low feed rate setting. If the 1 & 3 lights are on, the stove is currently on the lowest setting. If only the 1 light is on, the stove is in the default (medium) setting. If the 1 & 4 lights are on, the stove is in the high trim setting for the low feed rate. If the stove is being burned on one of the two lower settings, advance to the next trim setting and try burning the stove.

Parts Diagram

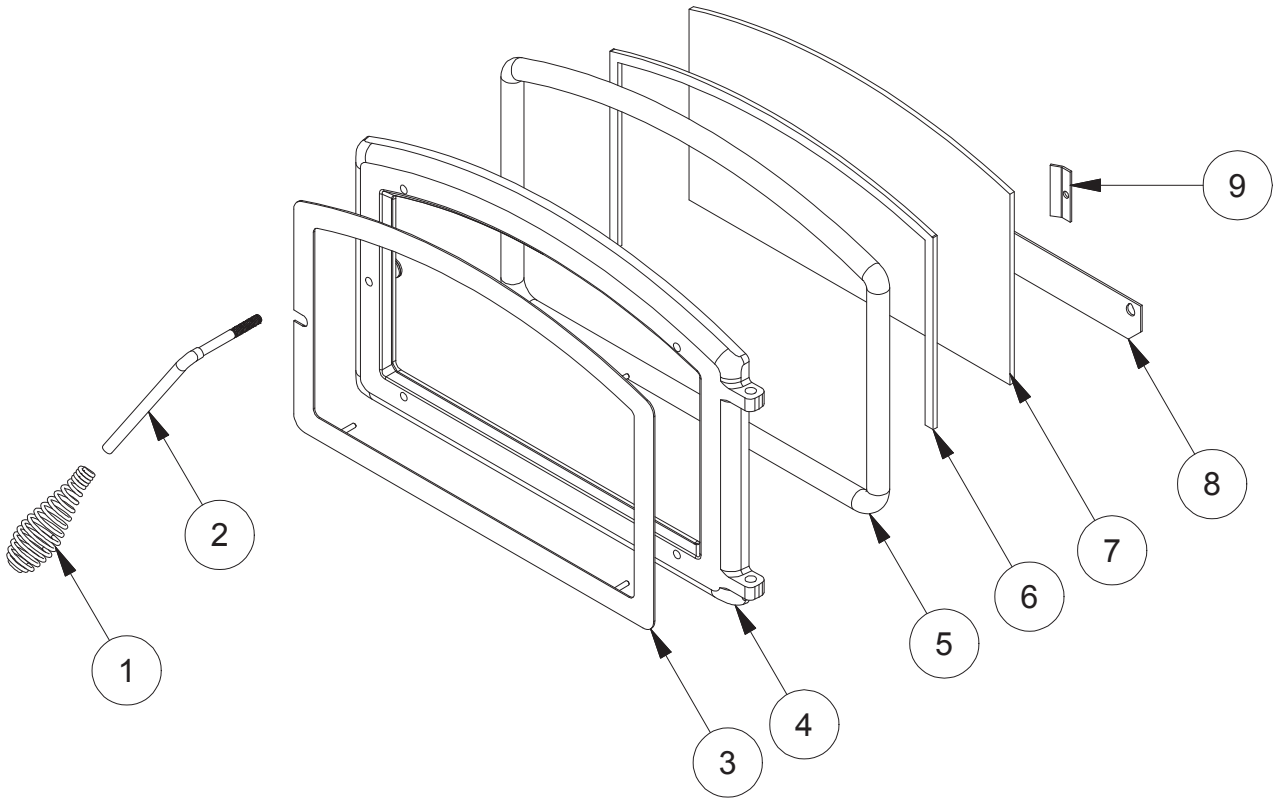


Parts List

Key	Part N°	Description	Qty.
1	25480	Access Panel	1
2	69518	Hopper Assembly	1
3	80472	Blower, Distribution	1
4	88106	Gasket, Distribution Blower	1
5	69763	Weldment-Exhaust Duct	1
6	88100	Gasket, Exhaust Blower	1
7	80473	Blower, Exhaust	1
8	69663	Damper Assembly	1
9	80461	Power Supply Cord	1
10	80610	Thermodisc, Surf Mt, Low Limit Pof	1
11	80609	Thermodisc, Surface Mount, 210°	1
12	80462	Receptacle, 3 Prong	1
13	80549	Pressure Switch	1
14	86668	Damper Rod	1
15	891121	Hose, Silicone (1/4" I.D. 450 DE)	1
16	80607	Ignitor	1
17	86633	Ignitor Tube	1
18	88117	Gasket, Exhaust Duct	1
19	88119	Insulation, Blanket	1
20	88118	Gasket, Ignitor Flange	1
21	88168	Gasket, Burnpot Housing	1
22	891148	Handle, Plastic	1
23	69703	Wldmt, Top Lid	1
24	80684	Control Plate	1
25	27763	Cowl	1
26	25868	Side,Left Cabinet	1
27	25488	Side,Right Cabinet	1
28	69762	Burnpot Assembly	1
29	69693	Weldment, Burnpot Housing	1
30	25497	Cleanout, Ash	2
31	69671	Ash Pan Assembly	1
32	891987	Plastic Knob	3
33	69846	Door Assembly	1

In order to maintain warranty, components must be replaced using original manufacturers parts purchased through your dealer or directly from the appliance manufacturer.
Use of third party components will void the warranty.

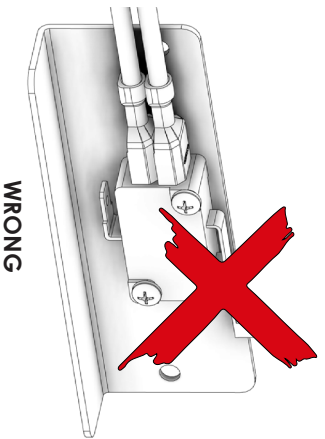
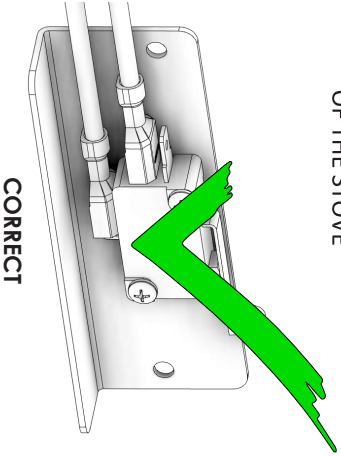
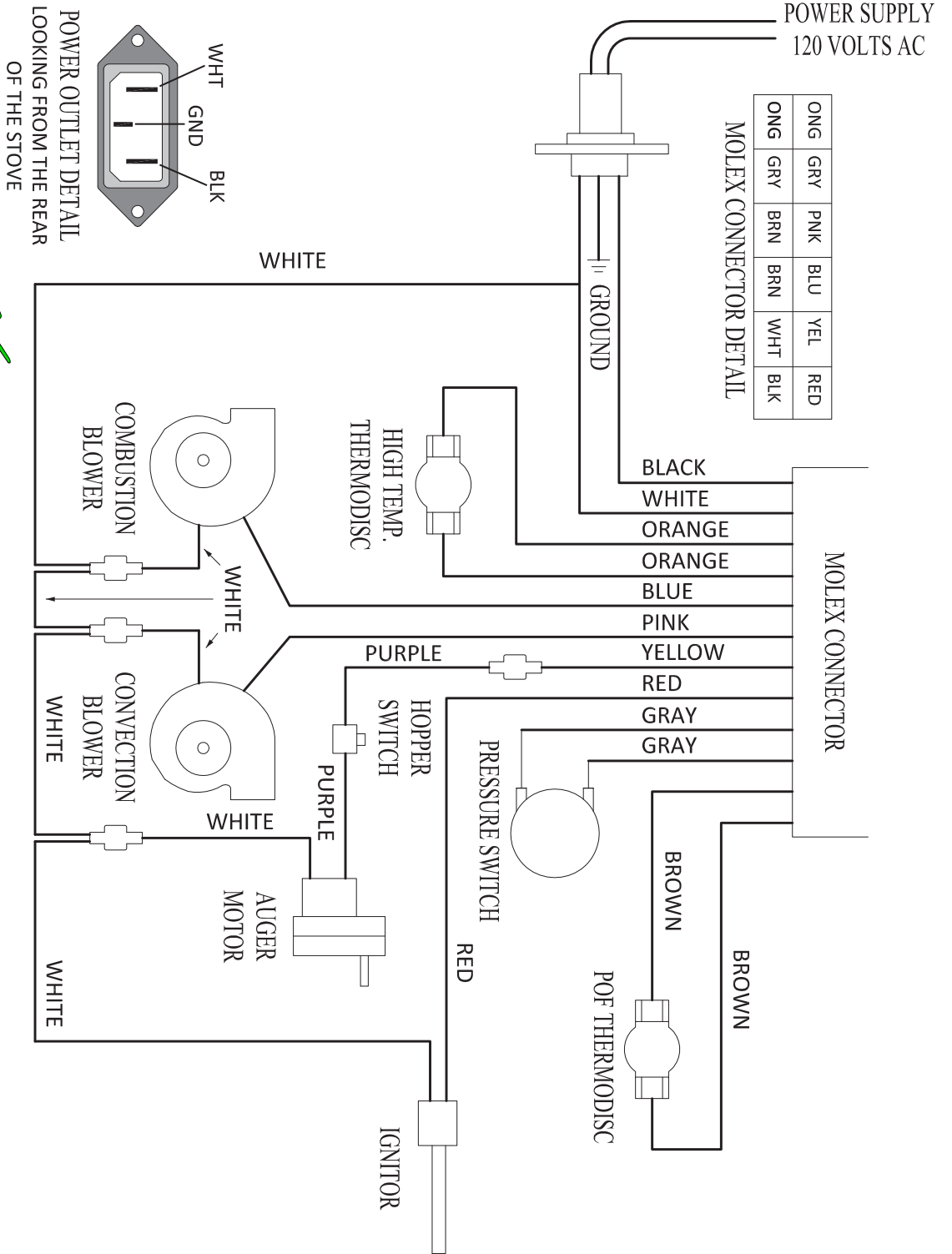
Parts Diagram



Key	Part No.	Description	Qty.
1	892002	Spring Handle, Brass, (.375)	1
2	86755	Door Handle	1
3	69901	Weld., Door Trim_1/2 Oval	1
4	40579	Cast Door, 1/2 Oval (C-D-018)	1
5	88082	3/4 Round Rope Gasket-Blk	4.3ft
6	88174	1/8 X 1 Window Gasket w/Adhesive	3ft
7	891979	Door Glass	1
8	25905	Air Wash Plate	1
9	25904	Clip, Glass	3

In order to maintain warranty, components must be replaced using original manufacturers parts purchased through your dealer or directly from the appliance manufacturer.
Use of third party components will void the warranty.

Wiring Diagram



Insure the wires are connected to the bottom two prongs of the hopper switch as shown.

Service Record

It is recommended that your heating system is serviced regularly and that the appropriate Service Interval Record is completed.

Service Provider:

Before completing the appropriate Service Record below, please ensure you have carried out the service as described in the manufacturer's instructions. Always use the manufacturer's specified spare part when replacement is necessary.

Service 01	Date: _____
Engineer Name: _____	
License No.: _____	
Company: _____	
Telephone No.: _____	
Stove Inspected: <input type="checkbox"/> Chimney Swept: <input type="checkbox"/>	
Items Replaced: _____	

Service 02	Date: _____
Engineer Name: _____	
License No.: _____	
Company: _____	
Telephone No.: _____	
Stove Inspected: <input type="checkbox"/> Chimney Swept: <input type="checkbox"/>	
Items Replaced: _____	

Service 03	Date: _____
Engineer Name: _____	
License No.: _____	
Company: _____	
Telephone No.: _____	
Stove Inspected: <input type="checkbox"/> Chimney Swept: <input type="checkbox"/>	
Items Replaced: _____	

Service 04	Date: _____
Engineer Name: _____	
License No.: _____	
Company: _____	
Telephone No.: _____	
Stove Inspected: <input type="checkbox"/> Chimney Swept: <input type="checkbox"/>	
Items Replaced: _____	

Service 05	Date: _____
Engineer Name: _____	
License No.: _____	
Company: _____	
Telephone No.: _____	
Stove Inspected: <input type="checkbox"/> Chimney Swept: <input type="checkbox"/>	
Items Replaced: _____	

Service 06	Date: _____
Engineer Name: _____	
License No.: _____	
Company: _____	
Telephone No.: _____	
Stove Inspected: <input type="checkbox"/> Chimney Swept: <input type="checkbox"/>	
Items Replaced: _____	

Service 07	Date: _____
Engineer Name: _____	
License No.: _____	
Company: _____	
Telephone No.: _____	
Stove Inspected: <input type="checkbox"/> Chimney Swept: <input type="checkbox"/>	
Items Replaced: _____	

Service 08	Date: _____
Engineer Name: _____	
License No.: _____	
Company: _____	
Telephone No.: _____	
Stove Inspected: <input type="checkbox"/> Chimney Swept: <input type="checkbox"/>	
Items Replaced: _____	

Limited Warranty

The operation of this unit in a manner inconsistent with the owner's manual will void the warranty and is also against federal regulations. United States Stove Company warrants this product to be free from defects in material and workmanship, to the original retail purchaser only, for the time period identified below, measured from the date of the initial purchase as evidenced on an invoice, cancelled check, sales receipt, etc., to receipt of a claim by United States Stove Company ("USSC") or an authorized dealer, as follows:

TIME PERIOD	
Firebox / Heat Exchanger	Limited Lifetime
Door	One Year
Cabinets and Trim	One Year
Gaskets	One Year
All Electrical Components (Blower, Auger / Agitator Motor, PC Board, Switches)	One Year
Ceramic Glass	One Year

WARRANTY CONDITIONS

- This warranty only covers USSC appliances that are purchased through an USSC authorized retailer, dealer or distributor.
- This warranty is only valid while the USSC appliance remains at the site of original installation. This warranty does not apply to products purchased for rental use.

CLAIM PROCEDURE

Contact United States Stove Company for warranty service. You will be asked to provide detailed descriptions and pertinent data, including proof of purchase which will be returned upon request. Providing the heater has been installed and used in accordance with the Owner's Manual supplied with the heater and the issue does not fall under a situation of exclusion, United States Stove Company will either:

- Replace the defective part free of charge. Parts and/or service replacements made under the terms of this warranty are warranted only for the remaining period of the original heater warranty.
- Replace the heater free of charge. Should the heater be replaced by United States Stove Company "free of charge", all further warranty obligations are thereby met.
- Where the defect is of a cosmetic (non-functional) nature, United States Stove Company will bear reasonable expense to repair the heater, including such items as welding, painting, and incidental labor. A "reasonable expense" is defined by terms of this warranty as \$30.00/hour with full refund for any purchase of parts.

WARRANTY EXCLUSIONS

This warranty does not cover the following:

- Damage to or changes in surface finishes as a result of normal use. As a heating appliance, some changes in color or interior and exterior surface finishes may occur. This is not a flaw and is not covered under warranty.
- Damage to printed, plated, or enameled surfaces caused by fingerprints, accidents, misuse, scratches, melted items, or other external sources and residues left on the plated surfaces from the use of abrasive cleaners or polishes.
- Repair or replacement of parts that are subject to normal wear and tear during the warranty period. These parts include: paint, pellet, and the discoloration of glass.
- Minor expansion, contraction, or movement of certain parts causing noise. These conditions are normal and complaints related to this noise are not covered by this warranty.
- Damages resulting from: (1) failure to install, operate, or maintain the appliance in accordance with the installation instructions, operating instructions, and listing agent identification label furnished with the appliance; (2) failure to install the appliance in accordance with local building codes and/or authorities having jurisdiction; (3) shipping or improper handling; (4) improper operation, abuse, misuse, continued operation with damaged, corroded or failed components, accident, alteration, or improperly/incorrectly performed repairs; (5) environmental conditions, weather, inadequate ventilation, negative pressure, or drafting caused by tightly sealed constructions, insufficient make-up air supply, or handling devices such as exhaust fans or forced air furnaces or other such causes; (6) use of fuels other than those specified in the operating

- instructions; (7) installation or use of components not supplied with appliance or any other components not expressly authorized and approved by USSC; (8) modification of the appliance not expressly authorized and approved by USSC in writing; and/or (9) interruptions or fluctuations of electrical power supply to the appliance.
- Non-USSC venting components, hearth components or other accessories used in conjunction with the appliance.
- USSC's obligation under this warranty does not extend to the appliance's capability to heat the desired space. Information is provided to assist the consumer and the dealer in selecting the proper appliance for the application. Consideration must be given to appliance location and configuration, environmental conditions, insulation and air tightness of the structure.
- Problems relating to smoking or creosote. Smoking is attributable to inadequate draft due to the design or installation of the flue system or installation of the heater itself. Creosote formation is largely attributable to improper operation of the unit and/or draft as mentioned above.
- Any cost associated with product removal and re-installation, travel, transportation, or shipping.
- Service calls to diagnose trouble (unless authorized in writing by the manufacturer, distributor, or dealer).

THIS WARRANTY IS VOID IF

- The appliance has been over-fired or operated in atmospheres contaminated by chlorine, fluorine, or other damaging chemicals. Over-firing can be identified by, but not limited to, warped plates or tubes, rust colored cast iron, bubbling, cracking and discoloration of steel or enamel finishes.
- The appliance is subjected to prolonged periods of dampness or condensation.
- There is any damage to the appliance or other components due to water or weather damage which is the result of, but not limited to, improper chimney or venting installation.

LIMITATIONS OF LIABILITY

The owner's exclusive remedy and USSC's sole obligation under this warranty, under any other warranty, express or implied, or in contract, tort or otherwise, shall be limited to replacement, repair, or refund, in USSC's sole and absolute discretion. In no event will USSC be liable for any incidental or consequential damages. THE LIMITED WARRANTY SET FORTH HEREIN IS THE SOLE WARRANTY PROVIDED TO PURCHASER AND IS IN LIEU OF ALL OTHER WARRANTIES AND REPRESENTATIONS, EXPRESS OR IMPLIED. USSC MAKES NO REPRESENTATIONS OR WARRANTIES WHATSOEVER, EXPRESS OR IMPLIED, WITH RESPECT TO THE PRODUCT, OTHER THAN (i) THE LIMITED WARRANTY ABOVE, AND (ii) ANY IMPLIED WARRANTIES IMPOSED BY APPLICABLE LAW WHICH CANNOT BE WAIVED OR DISCLAIMED UNDER APPLICABLE LAW. ALL OTHER WARRANTIES OF ANY KIND, INCLUDING WITHOUT LIMITATION IMPLIED WARRANTIES OF MERCHANTABILITY AND FITNESS FOR A PARTICULAR PURPOSE, ARE HEREBY DISCLAIMED AND EXCLUDED TO THE FULLEST EXTENT NOT PROHIBITED BY APPLICABLE LAW. This Limited Warranty gives the purchaser specific legal rights; a purchaser may have other rights depending upon where he or she resides. Some states do not allow the exclusion or limitation of special, incidental or consequential damages, or state law may affect the duration of limitations, so the above exclusion and limitations may not be applicable.

WARRANTOR

The warrantor of record is United States Stove Company, PO Box 151, 227 Industrial Park Road, South Pittsburg, Tennessee 37380. Phone number: (800)-750-2723. Register your product on line at www.usstove.com. Save your proof of purchase, as documented in a receipt or invoice, with your records for any claims.

IMPORTANT

We congratulate you on your selection of United States Stove Company and its products. As the oldest solid fuel manufacturer in the United States (since 1869), the United States Stove Company is very proud of its products, service, employees, and satisfied customers. We would like to hear from you if you are not satisfied with the manner in which you have been handled by our distributor, dealer, representative, customer service department, parts department, or sales department. Please reach out to us by using any of the contact information listed above.

Notes

HOW TO ORDER REPAIR PARTS / COMMANDE DE PIÈCES DE RECHANGE

This manual will help you obtain efficient, dependable service from your heater, and enable you to order repair parts correctly.

Keep this manual in a safe place for future reference.

When writing, always give the full model number which is on the nameplate attached to the heater.

When ordering repair parts, always give the following information as shown in this list /

Ce manuel vous aidera à obtenir un service efficace et fiable de l'appareil de chauffage et vous permettra de commander correctement des pièces de rechange.

Veillez conserver ce manuel dans un endroit sûr à des fins de référence.

Lorsque vous nous écrivez, veuillez indiquer le numéro complet du modèle qui figure sur la plaque signalétique de l'appareil de chauffage.

Lorsque vous commandez des pièces de rechange, veuillez toujours fournir les renseignements suivants, tels que montrés dans cette nomenclature:

1. The part number / Le numéro de pièce _____
2. The part description / La description de la pièce _____
3. The model number / Le numéro de modèle _____
4. The serial number / Le numéro de série _____

L'utilisation de cette unité en contradiction avec le manuel de l'utilisateur annule la garantie, tout en enfreignant les réglementations fédérales. United States Stove Company garantit, uniquement à l'acheteur au détail original, que ce produit est exempt de détectivités des matériaux et de qualité de l'exécution, pendant la période indiquée ci-dessous, de la date initiale d'achat prouvée par une facture, un chèque obliéré, un reçu de vente, etc., de United States Stove Company (« USSC ») ou d'un détaillant autorisé, comme suit:

DÉLAI PRÉSCRIT	
Boîte à feu/échangeur de chaleur	À vie limitée
Porte	Un an
Cabinets et garniture	Un an
Joints d'étanchéité	Un an
Tous les composants électriques (Souffleur, moteur de la vis/agitateur, carte de circuit imprimé, commutateurs)	Un an
Vitre céramique	Un an

CONDITIONS DE LA GARANTIE

- La garantie ne couvre que les appareils USSC achetés chez un détaillant ou distributeur USSC autorisé.
- Cette garantie n'est valide que si l'appareil USSC demeure sur le site d'installation d'origine. Cette garantie ne s'applique pas aux produits achetés pour la location.

PROCÉDURE DE RÉCLAMATION

Contactez United States Stove Company pour un service sur garantie. Il vous sera demandé de fournir les descriptions et données pertinentes, incluant la preuve d'achat qui sera retournée sur demande. Sous réserve que l'appareil de chauffage ait été installé et utilisé conformément avec le Manuel du propriétaire fourni avec cet appareil de chauffage et que le problème ne porte pas sur une situation d'exclusion, United States Stove Company:

- Remplacera sans frais la pièce détectée. Les pièces et/ou les remplacements d'entretien effectués selon les termes de cette garantie le sont uniquement pour le reste de la période originale de la garantie de ce produit.
 - Remplacer l'appareil de chauffage sans frais. Si l'appareil de chauffage doit être remplacé par United States Stove Company « sans frais », tous les engagements au titre de cette garantie seront respectés.
 - Si le défaut est de nature esthétique (non fonctionnel), United States Stove Company assumera les frais pour réparation de l'appareil de chauffage, incluant les éléments comme la soudure, la peinture et la main-d'œuvre accessoire. Les « frais raisonnables » définis aux termes de cette garantie sont de 30,00 \$/heure avec un remboursement complet pour tout achat de pièces.
- EXCLUSIONS DE LA GARANTIE**
- Cette garantie ne couvre pas ce qui suit:

- Domage ou modification du fini de la surface causé par une utilisation normale.
- Comme il s'agit d'un appareil de chauffage, il pourra se produire une certaine modification de la couleur et des finis de la surface intérieure et extérieure. Il ne s'agit pas d'un défaut et ce n'est pas couvert par la garantie.
- Détérioration des surfaces imprimées, plaquées ou émaillées par les marques externes, ainsi que les résidus laissés sur les surfaces plaquées par l'utilisation de nettoyants ou produits à polir abrasifs.
- Réparation ou remplacement des pièces soumises à une usure normale pendant le période de garantie. Ces pièces comprennent : peinture, granules et décoloration de la vitre.
- Bruit causé par la dilatation, contraction ou déplacements mineurs de certaines pièces. Ces conditions sont normales et les réclamations liées à ce bruit ne sont pas couvertes par cette garantie.

- Domages causés par : (1) l'installation, l'utilisation ou la maintenance de l'appareil sans tenir compte des instructions et d'utilisation, et sans consulter l'étiquette d'identification de l'agent de liste; (2) le non-respect des codes du bâtiment locaux et/ou des autorités ayant juridiction pendant l'installation de l'appareil; (3) l'expédition ou la mauvaise manipulation; (4) la mauvaise utilisation, l'abus, l'utilisation continue alors que des composants liés à l'environnement et à la météo, une mauvaise ventilation, une pression négative ou un mauvais tirage en raison de l'étanchéité de la construction, l'approvisionnement insuffisant en air d'appoint ou d'autres dispositifs tels que

Garantie limitée

des ventilateurs de tirage, des chaudières à air pulsé ou toute autre cause; (6) l'utilisation de combustibles autres que ceux mentionnés dans les instructions d'utilisation; (7) l'installation ou l'utilisation de composants qui n'ont pas été fournis avec l'appareil ou de tout autre composant n'ayant pas été expressément autorisé et approuvé par USSC; (8) les modifications de l'appareil qui n'ont pas été expressément autorisées et approuvées par écrit par USSC; et/ou (9) les interruptions ou fluctuations de l'alimentation électrique de l'appareil.

- Composants d'évacuation des gaz, composants de l'âtre ou accessoires utilisés avec l'appareil et qui n'ont pas été fournis par USSC.
- Obligations de USSC, en vertu de cette garantie, ne couvrent pas la capacité de l'appareil à chauffer l'espace souhaité. Des informations sont fournies pour aider le consommateur et le détaillant lors de la sélection de l'appareil adéquat pour l'application envisagée. On doit tenir compte de l'emplacement et de la configuration de l'appareil, des conditions liées à l'environnement, de l'isolation et de l'étanchéité de la structure.
- Problèmes liés à la fumée ou au creosote. La fumée provient généralement d'un tirage inadéquat en raison de la conception ou de l'installation du système de conduit ou de l'installation de l'appareil de chauffage lui-même. La formation de creosote est largement attribuable au mauvais fonctionnement de l'unité et/ou du tirage, comme il est mentionné ci-dessus.
- Tous les coûts associés à l'enlèvement et à la réinstallation du produit, son déplacement, transport ou expédition.
- Appels de service afin de diagnostiquer les problèmes (à moins d'être reconnu par écrit par le fabricant, le distributeur ou le détaillant).

CETTE GARANTIE EST ANNULÉE SI

- L'appareil a subi une surchauffe ou a été utilisé avec de l'air contaminé par le chlore, le fluor ou d'autres produits chimiques nuisibles. La surchauffe peut être établie, sans s'y limiter, par la déformation des plaques ou tubes, la couleur rouille de la fonte, l'apparition de bulles et de craquelures, et la décoloration des surfaces en acier ou émaillées.
- L'appareil est soumis à l'humidité ou à la condensation pendant de longues périodes.
- Les dommages causés à l'appareil ou aux autres composants par l'eau ou les intempéries en raison, entre autres, d'une mauvaise installation de la cheminée ou du conduit d'évacuation.

RESTRICTIONS DE LA GARANTIE

Le seul recours du propriétaire et la seule obligation de USSC en vertu de cette garantie ou de toute autre garantie, expresse ou tacite, contractuelle, à tort ou à raison, sont limités au remplacement, à la réparation ou au remboursement. En aucun cas, USSC ne saurait être tenue responsable des dommages fortuits ou consécutifs. LA GARANTIE LIMITEE INCLUSE AUX PRESENTES EST LA SEULE DISPONIBLE POUR L'ACHETEUR, TENANT LIEU DE TOUTES AUTRES GARANTIES OU DECLARATIONS, FORMELLE OU TACITE, USSC NE FAIT AUCUNE DECLARATION OU GARANTIE DE TOUTE SORTE, QU'ELLE SOIT TACITE OU FORMELLE, RELATIVEMENT AU PRODUIT, AUTRE QUE (i) LA GARANTIE LIMITEE MENTIONNEE CI-DESSUS, ET (ii) TOUTE GARANTIE IMPOSEE PAR LE DROIT APPLICABLE PAR LAQUELLE ELLE NE PEUT ETRE ANNULEE OU DECLINEE SELON LE DROIT APPLICABLE. TOUS AUTRES GARANTIES DE TOUT GENRE, INCLUANT, MAIS SANS S'Y LIMITER, AUX GARANTIES TACITES DE QUALITE MARCHANDE OU D'APPUYI, SONT DONC AUX PRESENTES, DECLINEES ET EXCLUES JUSQU'A LA LIMITE DU DROIT APPLICABLE. Cette garantie limitee confère à l'acheteur des droits juridiques spécifiques, les droits de l'acheteur pourraient différer selon son lieu de résidence. Certains Etats ne permettent pas l'exclusion ou la limitation de dommages particuliers, accessoires ou indirects, ou des lois d'Etat peuvent avoir un impact sur la durée des limitations; ainsi, l'exclusion et les limitations précédentes pourraient ne pas s'appliquer.

GARANT

Le garant de ce dossier est United States Stove Company, PO Box 151, 227 Industrial Park Road, South Pittsburg, Tennessee 37380. Numéro de téléphone : (800)-750-2723. Enregistrez votre produit en ligne au www.usstove.com. Conservez votre preuve d'achat, documentée sous forme de facture ou de reçu, en cas de réclamation.

IMPORTANT

Félicitation d'avoir choisi United States Stove Company et ses produits. Etant le plus ancien fabricant de combustible solide aux Etats-Unis (depuis 1869), United States Stove Company est fière de ses produits, son service, ses employés, et ses clients satisfaits. Nous aimerions le savoir si vous êtes insatisfait de la façon dont vous auriez répondu l'un de nos distributeurs, détaillants, représentants, service à la clientèle, service des pièces ou service des ventes. Veuillez nous joindre en utilisant l'un des moyens pour nous contacter indiqués ci-dessous.

Enregistrement De Service

Avant de terminer l'enregistrement de service approprié ci-dessous, s'il vous plaît vous assurer que vous avez effectué le service tel que décrit dans les instructions du fabricant. Toujours utiliser pièce de rechange indiquée par le fabricant lors de remplacement est nécessaire.

Service de 02

Date _____

Ingénieur Nom: _____

Refustratuib No.: _____

Company _____

N ° de téléphone: _____

Poêle Inspecté: Cheminée Swept:

Articles Remplacé: _____

Service de 01

Date _____

Ingénieur Nom: _____

Refustratuib No.: _____

Company _____

N ° de téléphone: _____

Poêle Inspecté: Cheminée Swept:

Articles Remplacé: _____

Service de 04

Date _____

Ingénieur Nom: _____

Refustratuib No.: _____

Company _____

N ° de téléphone: _____

Poêle Inspecté: Cheminée Swept:

Articles Remplacé: _____

Service de 03

Date _____

Ingénieur Nom: _____

Refustratuib No.: _____

Company _____

N ° de téléphone: _____

Poêle Inspecté: Cheminée Swept:

Articles Remplacé: _____

Service de 06

Date _____

Ingénieur Nom: _____

Refustratuib No.: _____

Company _____

N ° de téléphone: _____

Poêle Inspecté: Cheminée Swept:

Articles Remplacé: _____

Service de 05

Date _____

Ingénieur Nom: _____

Refustratuib No.: _____

Company _____

N ° de téléphone: _____

Poêle Inspecté: Cheminée Swept:

Articles Remplacé: _____

Service de 08

Date _____

Ingénieur Nom: _____

Refustratuib No.: _____

Company _____

N ° de téléphone: _____

Poêle Inspecté: Cheminée Swept:

Articles Remplacé: _____

Service de 07

Date _____

Ingénieur Nom: _____

Refustratuib No.: _____

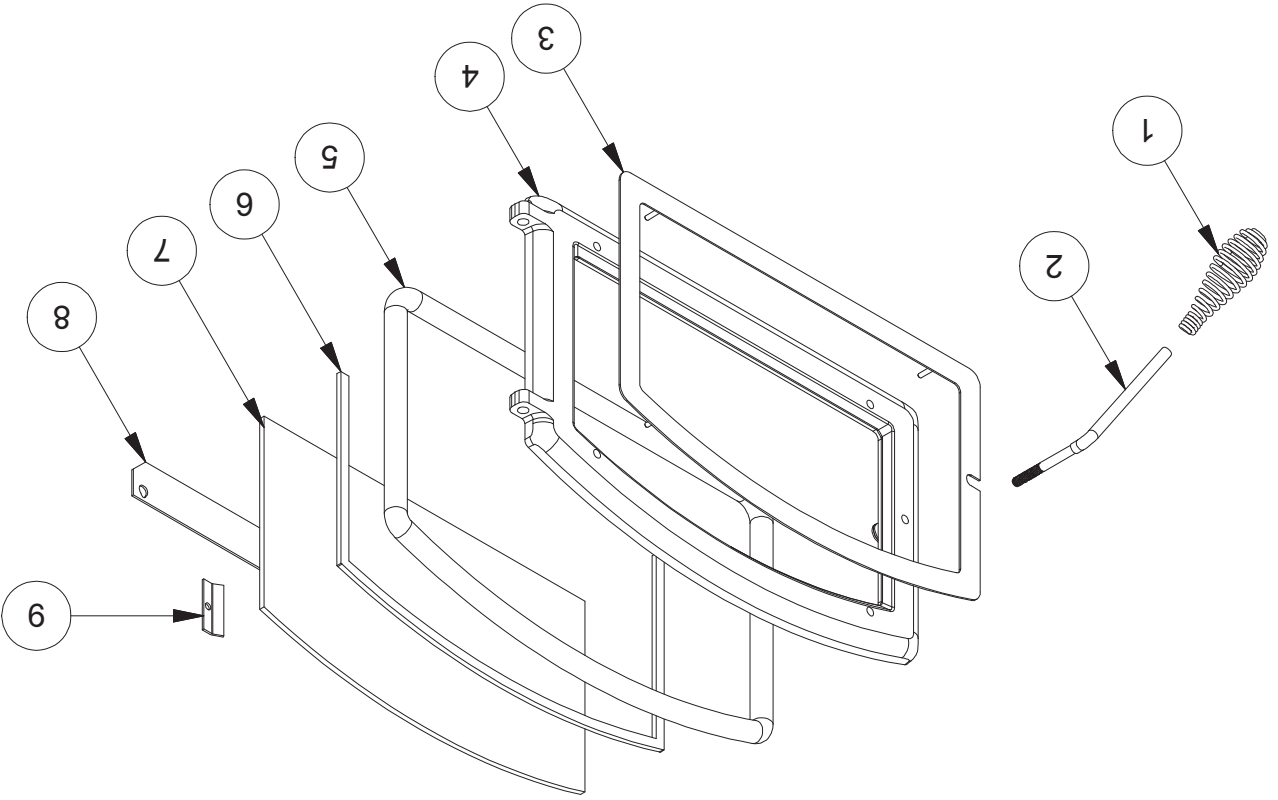
Company _____

N ° de téléphone: _____

Poêle Inspecté: Cheminée Swept:

Articles Remplacé: _____

Liste De Pièces



Qté.	Partie	La description
1	892002	Poignée de ressort, laiton, (.375)
1	86755	Poignée de porte
1	69901	Weld,, Door Trim_1 / 2 Oval
4	40579	Porte coulée, 1/2 ovale (C-D-018)
4,3ft	88082	3/4 Joint à corde ronde-Blk
3ft	88174	1/8 X 1 Joint de fenêtre avec Adhésif
1	891979	Verre de porte
1	25905	Plaque de lavage à l'air
9	25904	Clip, verre

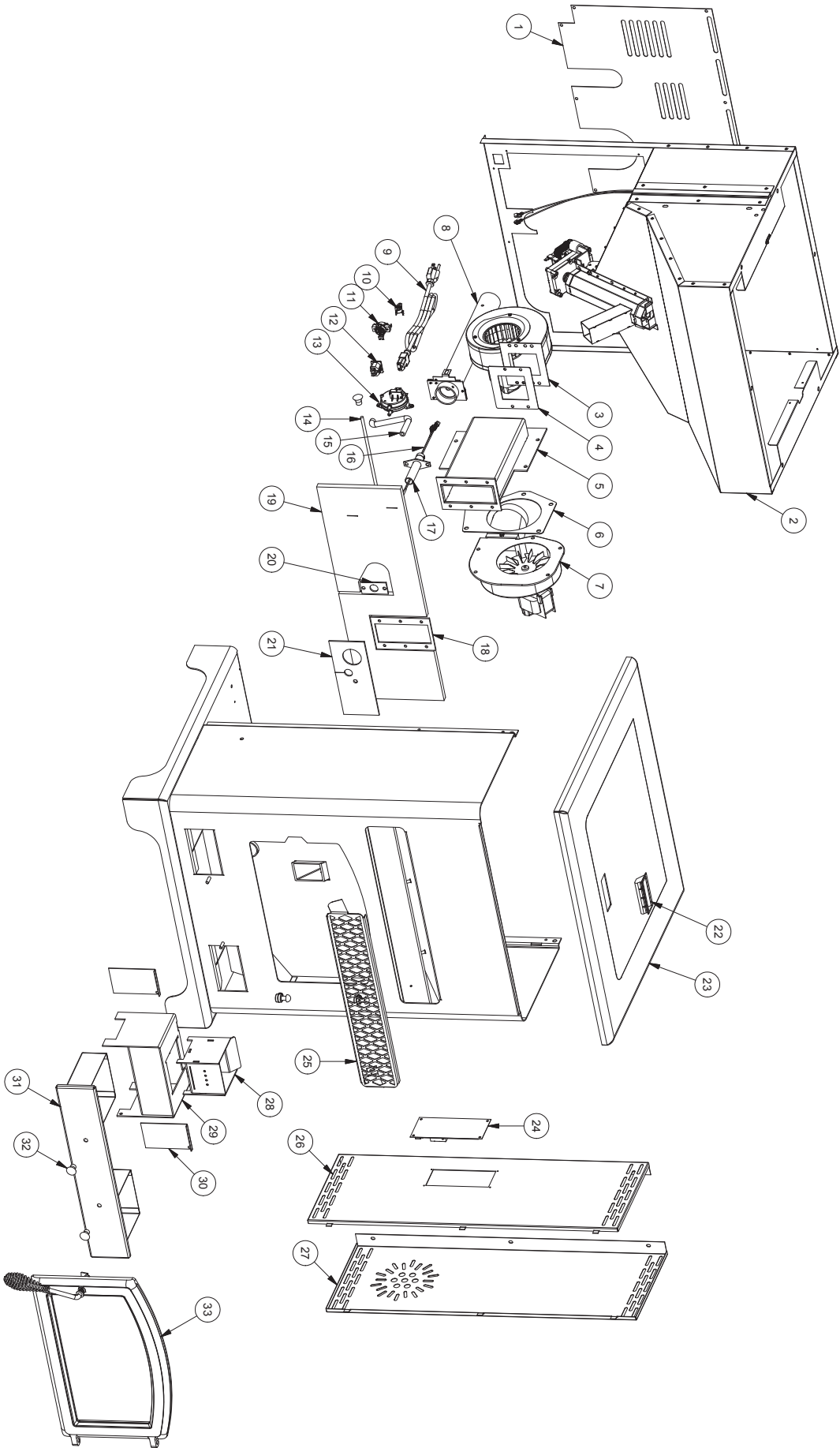
Afin de maintenir la garantie, les composants doivent être remplacés par des pièces de fabricants d'origine achetées chez votre revendeur ou directement auprès du fabricant de l'appareil. L'utilisation de composants tiers annule la garantie.

Liste De Pièces Détachées

Clé	Partie	La description	Qté.
1	25480	Panneau d'accès	1
2	69518	Assemblage de la trémie	1
3	80472	Ventilateur, distribution	1
4	88106	Joint d'étanchéité, ventilateur de distribution	1
5	69763	Conduit de soudure-échappement	1
6	88100	Joint d'étanchéité	1
7	80473	Souffleur, échappement	1
8	69663	Ensemble amortisseur	1
9	80461	Cordon d'alimentation	1
10	80610	Thermodisc, Surf Mt, Low Limit Pot	1
11	80609	Thermodisc, Surface Mount, 210 °	1
12	80462	Prise, 3 Prong	1
13	80549	Pressostat	1
14	86668	Barre d'amortisseur	1
15	891121	Tuyau, Silicone (1/4" I.D. 450 DE)	1
16	80607	Ignitor	1
17	86633	Tube d'allumage	1
18	88117	Joint d'étanchéité, conduit d'échappement	1
19	88119	Isolation, Couverture	1
20	88118	Joint d'étanchéité, bride d'allumage	1
21	88168	Joint d'étanchéité	1
22	891148	Poignée, plastique	1
23	69703	Widmt, Top Lid	1
24	80684	Plaque de contrôle	1
25	27763	Capot	1
26	25868	Côté, cabinet de gauche	1
27	25488	Côté, cabinet droit	1
28	69762	Assemblage Burnpot	1
29	69693	Weldment, Burnpot Housing	1
30	25497	Cleanout, Ash	2
31	69671	Ensemble de cendres	1
32	891987	Bouton en plastique	3
33	69846	Ensemble de porte	1

Afin de maintenir la garantie, les composants doivent être remplacés par des pièces de fabricants d'origine achetées chez votre revendeur ou directement auprès du fabricant de l'appareil. L'utilisation de composants tiers annule la garantie.

Pièces Détachées



Guide De Dépannage

<p>• LA VITRE S'ENCRASSE TRÈS RAPIDEMENT</p> <p>• LA FLAMME EST FAIBLE, SOMBRE AVEC DES POINTES NOIRES</p> <p>• UNE FOIS QUE LE POÊLE A FONCTIONNÉ UN PEU, LE POT DE COMBUSTION DÉBORDE</p>	<p>Causes possibles:</p>
<p>Solutions éventuelles: (débrancher d'abord le poêle si possible)</p>	<p>1. Le poêle ou son tuyau de ventilation est sale, ce qui restreint le flux d'air au travers du pot de combustion.</p>
<p>Appliquez toutes les procédures de nettoyage de la section d'entretien de ce manuel.</p>	<p>2. Le tuyau de ventilation est installé de façon incorrecte.</p>
<p>Contrôlez si le tuyau de ventilation a bien été installé selon les critères donnés dans ce manuel.</p>	<p>3. Le registre de tirage est trop repoussé (fermé) pour un réglage à forte puissance.</p>
<p>Tirez le bouton de registre un peu plus ouvert par rapport au côté du poêle, et essayez de nouveau de le faire fonctionner.</p>	<p>4. Les trous du pot de combustion sont bouchés.</p>
<p>Sortez le pot de combustion et nettoyez-le bien.</p>	<p>5. Le registre de tirage est cassé.</p>
<p>Inspectez visuellement l'ensemble de registre. Assurez-vous que la plaque de registre est fixée à la tige de registre. Quand cette tige est tirée la plaque doit venir avec.</p>	<p>6. Blocage dans le tuyau d'admission d'air.</p>
<p>Inspectez visuellement le tuyau d'admission d'air qui mène au pot de combustion pour y chercher des matières étrangères.</p>	<p>7. Dysfonctionnement de la carte de circuit imprimé.</p>
<p>Chronométrez la séquence de voyant d'alimentation en carburant pour chaque réglage (après que le poêle ait terminé sa séquence de démarrage). Assurez-vous que les durées correspondent au tableau de séquences de la vis sans fin. Si le moteur de vis tourne ne permanence, la carte est défectueuse.</p>	<p>8. La soufflante de combustion ne tourne pas assez vite.</p>
<p>Testez la vitesse en tours/minute de la soufflante après nettoyage de ses pales. Elle doit être d'environ 3 000 tours/minute.</p>	<p>9. Mauvais granulés Ne s'applique qu'à "LA VITRE S'ENCRASSE TRÈS RAPIDEMENT"</p>
<p>La marque ou le lot de granulés utilisés peut être de qualité médiocre. Si possible utilisez-en d'autres. Vous pourriez aussi essayer une marque différente avec un autre type de bois (bois tendre au lieu de bois dur). Des bois différents ont des caractéristiques différentes quand ils brûlent.</p>	<p>10. Le réglage d'adaptation pour le taux d'alimentation faible est trop bas Ne s'applique qu'à "LA VITRE S'ENCRASSE TRÈS RAPIDEMENT"</p>
<p>Utilisez la commande "Reset Trim" pour augmenter le réglage pour taux d'alimentation faible. Si les voyants 1 et 3 sont allumés, le poêle est actuellement sur le réglage le plus bas. Si seul le voyant 1 est allumé, le poêle est au réglage par défaut (moyen). Si les voyants 1 et 4 sont allumés, le poêle est au réglage le plus élevé d'adaptation pour le taux d'alimentation faible. Si le poêle fonctionne sur l'un des deux réglages les plus faibles, passez à l'adaptation supérieure et essayez de nouveau le poêle.</p>	

Guide De Dépannage

LE POËLE N'EST PAS ALIMENTÉ EN GRANULÉS, MAIS LE VOYANT CORRESPONDANT S'ALLUME

Causes possibles:		Solutions éventuelles: (débranchez d'abord le poêle si possible)	
1.	Fusible grillé sur la carte de contrôle.	Sortez la carte de contrôle. À l'arrière il y a un fusible. S'il semble défectueux, remplacez-le par un équivalent (5 A/125 V). Rebranchez le poêle et essayez de le faire fonctionner.	
2.	Le thermostatique pour limite haute a déclenché ou est défectueux.	Laissez refroidir le poêle 30-45 minutes. Localisez le thermostatique pour limite haute et appuyez sur le bouton de restauration sur son arrière. Si le poêle ne redémarre pas vérifiez si le thermostatique est en bon état. Pour le tester, vous pouvez le contourner comme décrit plus haut pour le thermostatique POF.	
3.	Moteur de vis sans fin défectueux.	Dégagez le moteur de vis de l'axe de vis et essayez de démarrer l'appareil. Si le moteur tourne, c'est que l'axe est bloqué sur quelque chose. Mais si le moteur ne tourne pas c'est qu'il est défectueux.	
4.	Bourrage à la vis sans fin.	Commencez par vider la trémie. Puis ôtez le moteur de vis sans fin en enlevant la goupille de vis. Ôtez la plaque d'inspection d'axe de vis sans fin dans la trémie pour pouvoir la voir. Levez doucement tout droit l'axe de vis de façon à ce que son extrémité sorte de la douille du bas de trémie. Ensuite ôtez les deux écrous qui maintiennent la grappe du haut de vis. Puis faites tourner l'extrémité inférieure de l'axe de vis en la montant vers vous jusqu'à ce que vous sortiez l'axe du poêle. Une fois l'axe sorti, inspectez-le pour chercher des filets déformés, des ébarbures ou des soudures cassées. Enlevez toute matière étrangère qui pourrait avoir causé le blocage. Vérifiez aussi le tube de vis sans fin pour d'éventuels dommages comme des ébarbures, points rugueux ou entailles dans le métal qui auraient pu causer un bourrage.	
5.	Desserrage de fil ou de connecteur.	Vérifiez tous les fils et connecteurs desservant le moteur de vis sans fin, l'interrupteur sur limite haute et le connecteur Molex.	
6.	Carte de contrôle défectueuse.	Si son fusible est bon, et que le contrôle des connexions est correct, la carte de contrôle est bonne. Si une alimentation intégrale est envoyée au moteur quand le voyant d'alimentation en carburant est allumé, c'est que la carte de contrôle est défectueuse.	

L'INTERRUPTEUR SUR LIMITE HAUTE DÉCLENCHE FRÉQUEMMENT

Causes possibles:		Solutions éventuelles: (débranchez d'abord le poêle si possible)	
1.	La soufflante de convection est en surchauffe et fait déclencher la protection thermique interne.	Nettoyez toute la poussière des ailettes et poles de ventilateur. Si le nettoyage de la soufflante est inefficace, elle peut être défectueuse.	
2.	Le poêle a été laissé sur le réglage le plus fort pendant de longues périodes.	En faisant fonctionner le poêle sur le plus fort réglage, la température de la pièce peut monter pas mal et entraîner potentiellement une situation de surchauffe. Si cela se produit essayez un réglage de chauffe plus faible.	
3.	Du combustible autre que des granulés est consommé dans le poêle.	Ce poêle est conçu et testé pour brûler avec des granulés de bois. Cherchez des indications d'autres types de combustible. Aucun autre type de combustible n'a été approuvé pour ce poêle à granulés. S'il y a des signes que d'autres carburants sont utilisés, arrêtez immédiatement le poêle.	
4.	Sur tension ou panne secteur localisée.	Une surtension, des pics ou des creux de secteur peuvent faire déclencher l'interrupteur sur limite haute. Vérifiez sur un parasurtenseur protégé le poêle. Si ce n'est pas le cas, recommandez-en un au consommateur.	
5.	L'interrupteur sur limite haute est défectueux.	Si tous les autres composants sont corrects au contrôle, remplacez cet interrupteur sur limite haute.	

Guide De Dépannage

LE POÊLE EST ALIMENTÉ EN GRANULÉS, MAIS ILS NE S'ALLUMENT PAS

Causes possibles:		Solutions éventuelles: (débranchez d'abord le poêle si possible)	
1.	Registre de tirage ouvert trop loin pour permettre l'allumage.	Repoussez le registre plus près du côté du poêle au démarrage. Dans certains cas il peut être nécessaire de l'avoir complètement fermé pour rendre l'allumage possible. Une fois qu'il y a une flamme, le registre peut être ajusté pour le tirage voulu.	
2.	Blocage dans le tube d'allumage ou l'entrée pour le tube d'allumage.	Cherchez le logement d'allumeur au dos de la cloison pare-feu. Le trou d'admission d'air est petit et situé en bas de ce logement. Assurez-vous qu'il est dégagé. Regardez aussi à l'avant du poêle pour vous assurer qu'il n'y a pas de débris autour de l'élément d'allumeur à l'intérieur de son logement.	
3.	Le pot de combustion n'est pas poussé complètement à l'arrière de la chambre.	Assurez-vous que le collier d'admission d'air sur le pot de combustion touche la paroi arrière de la chambre.	
4.	Élément d'allumage défectueux.	Appliquez une alimentation directement sur l'élément d'allumage. Regardez le bout de l'allumeur depuis l'avant du poêle. Après 2 minutes ce bout la doit être rougeoyant. Sinon c'est que l'élément est défectueux.	
5.	La carte de contrôle n'envoie pas d'alimentation à l'allumeur.	Vérifiez la tension allant à l'allumeur au démarrage. Il doit y avoir l'intégralité de l'alimentation. Si la tension est inférieure à la valeur intégrale, vérifiez le câblage. Si le câblage est contrôlé bon, la carte est défectueuse.	

UNE ODEUR DE FUMÉE PÉNÈTRE DANS LA MAISON		Causes possibles:	
1.	Il y a une fuite dans le système de tuyaux de ventilation.	Inspectez tous les raccordements de tuyaux de ventilation. Assurez-vous qu'ils sont étanchéifiés avec de l'enduit à la silicose pouvant résister à une température d'au moins 500°F (260 °C). Recouvrez également les joints avec de la bande métallique UL-181-AP. Assurez-vous aussi que l'adaptateur de forme carrée à ronde sur la soufflante de combustion a été bien étanchéifié avec le même enduit.	
2.	Un joint de la soufflante de combustion s'est détérioré.	Inspectez les deux joints de la soufflante de combustion pour vérifier qu'ils sont en bon état.	
Du fait que c'est un appareil carburant au bois, votre poêle à granulés peut émettre une légère odeur de bois brûlé. Si l'odeur augmente au-delà de la normale, ou si vous remarquez un dépôt anormal de suie sur vos murs ou meubles, vérifiez attentivement votre système d'évacuation pour y chercher des fuites. Tous les joints doivent être correctement étanchéifiés. Nettoyez également votre poêle, en suivant les instructions de la section "ENTRETIEN". Si le problème persiste, contactez votre revendeur.			

LA SOUFFLANTE DE CONVECTION S'ARRÊTE ET REPART		Causes possibles:	
1.	La soufflante de convection surchauffe et fait déclencher le dispositif thermique interne.	Nettoyez toute la poussière de la soufflante et pales de ventilateur. Si le nettoyage de la soufflante est inefficace, elle peut être défectueuse.	
2.	Dysfonctionnement de la carte de circuit imprimé.	Testez l'alimentation allant à la soufflante de convection. Si elle reste envoyée durant sa coupure, la carte de contrôle en fonctionnant, c'est la carte qui est défectueuse.	
Solutions possibles: (débranchez d'abord le poêle si possible)			

Guide De Dépannage

LE POÊLE S'ARRÊTE ET LE TÊMOIN NO.3 CLIGNOTE

Solutions possibles: (débranchez d'abord le poêle si possible)

1.	La trémie n'a plus de granulés.	Regarnissez la trémie.
2.	Le registre de tirage est trop ouvert pour un réglage à faible alimentation	Si vous carburez à réglage faible, vous pouvez avoir à fermer complètement le registre (poussez le bouton pour qu'il touche le côté du poêle).
3.	Le pot de combustion n'est pas poussé complètement à l'arrière de la chambre.	Assurez-vous que le collier d'admission d'air sur le pot de combustion touche la paroi arrière de la chambre.
4.	Les trous du pot de combustion sont bouchés.	Sortez le pot de combustion et nettoyez-le bien.
5.	L'admission d'air, les chambres intérieures ou le système d'évacuation ont un blocage partiel.	Appliquez toutes les procédures de nettoyage de la section d'entretien de ce manuel.
6.	L'interrupteur de sécurité de la trémie est en panne ou la trémie est ouverte.	En utilisant l'appareil, assurez-vous que le couvercle de trémie est fermé pour que l'interrupteur de sécurité permette l'alimentation. Contrôlez la bonne connexion des fils allant de l'interrupteur de sécurité de trémie au panneau de commande et au moteur de vis sans fin. Utilisez un testeur de continuité pour vérifier l'interrupteur de sécurité, remplacez-le si nécessaire.
7.	L'arbre de la vis sans fin est bloqué.	Commencez par vider la trémie. Puis ôtez le moteur de vis sans fin en enlevant la goupille de vis. Ôtez la plaque d'inspection d'axe de vis sans fin dans la trémie pour pouvoir la voir. Levez doucement tout droit l'axe de vis de façon à ce que son extrémité sorte de la douille du bas de trémie. Ensuite ôtez les deux écrous qui maintiennent la grappe du haut de vis. Puis faites tourner l'extrémité inférieure de l'axe de vis en la montant vers vous jusqu'à ce que vous sortiez l'axe du poêle. Une fois l'axe sorti, inspectez-le pour chercher des filets déformés, des ébarbures ou des soudures cassées. Enlevez toute matière étrangère qui pourrait avoir causé le blocage. Vérifiez aussi le tube de vis sans fin pour d'éventuels dommages comme des ébarbures, points rugueux ou entailles dans le métal qui auraient pu causer un bourrage.
8.	Le moteur de vis sans fin est tombé en panne;	Désaccouplez le moteur de vis de l'axe de vis et essayez de débrancher l'appareil. Si le moteur tourne, c'est que l'axe est bloqué sur quelque chose. Mais si le moteur ne tourne pas c'est qu'il est défectueux.
9.	Le thermostatique témoin de la présence de feu (POF) n'a pas fonctionné.	Contournez temporairement le thermostatique POF en débranchant les deux fils marron et en les réunissant avec un petit morceau de fil conducteur. Puis remettez le poêle en marche. S'il redémarre et fonctionne, vous devrez remplacer le thermostatique. Ceci n'était que pour le test. NE LAISSEZ PAS LE THERMODYNAMIQUE CONTINUER. Sinon vos soufflantes ne s'arrêteraient jamais, et si le feu s'éteignait la vis contribuerait d'allumer en granulés jusqu'à ce que la trémie soit vide.
10.	Le thermostatique pour limite haute a déclenché ou est défectueux.	Laissez refroidir le poêle 30-45 minutes. Localisez le thermostatique pour limite haute et appuyez sur le bouton de restauration sur son arrière. Si le poêle ne redémarre pas vérifiez si le thermostatique est en bon état. Pour le tester, vous pouvez le contourner comme décrit plus haut pour le thermostatique POF.
11.	Le fusible de carte de contrôle est grillé.	Sortez la carte de contrôle. À l'arrière il y a un fusible. S'il semble défectueux, remplacez-le par un équivalent (5 A/125 V). Rebranchez le poêle et essayez de le faire fonctionner.
12.	La carte de contrôle n'envoie pas d'alimentation au thermostatique POF ou aux autres composants du système de vis sans fin.	Il doit y avoir une alimentation de 5 V environ allant au thermostatique POF une fois que le poêle a été mis en marche pendant 10 minutes.

Guide De Dépannage

Quand votre poêle se comporte anormalement, la première réaction est d'appeler pour de l'aide. Ce guide peut faire économiser du temps et de l'argent en vous permettant de solutionner par vous-même des problèmes simples. Les problèmes rencontrés sont souvent le résultat de seulement 5 facteurs: 1) carburant médiocre ; 2) utilisation ou entretien inadéquats ; 3) mauvaises installations; 4) panne de composant ; 5) défaut d'origine. Vous pouvez généralement résoudre les problèmes venant des causes 1 et 2. Votre revendeur peut solutionner ceux des causes 3 à 5. Référez-vous au schéma de la page 17 pour vous aider à localiser les pièces indiquées. Dans le but de dépanner en utilisant ce guide pour vous aider, vous devez regarder quel est votre niveau de réglage de chauffe pour voir quel voyant clignote.

- Débranchez le cordon d'alimentation avant toute intervention d'entretien. REMARQUE: Le passage de l'interrupteur Marche/Arrêt en position Off ne coupe pas toute l'alimentation des composants électriques du poêle.
- N'essayez jamais de réparer ou de remplacer une quelconque partie du poêle sauf si des instructions pour le faire sont données dans ce manuel. Toutes les autres interventions doivent être faites par un technicien agréé.

LE POÊLE S'ARRÊTE ET LE VOYANT 2 CLIGNOTE	
Causes possibles:	Solutions éventuelles: (débranchez d'abord le poêle si possible)
1. Le tuyau de commutateur d'air ou les tubes de fixation au poêle sont obstrués.	Ôtez le tuyau d'air du commutateur d'air et soufflez dedans. Si l'air passe librement, le tuyau et le tube sont corrects. Sinon, utilisez le fil de fer d'un cintre pour dégager le blocage.
2. L'admission d'air, le pot de combustion, l'intérieur des chambres de combustion, la soufflante de combustion ou le tuyau d'évacuation sont obstrués par de la cendre ou des matières étrangères.	Appliquez toutes les procédures de nettoyage de la section d'entretien de ce manuel.
3. La chambre de combustion n'est pas bien étanche.	Assurez-vous que la porte est fermée et le joint est en bon état. Si la porte des cendres a un loquet, vérifiez qu'elle est bien fermée et que le joint est bien étanche. Si le poêle comporte juste un petit trou pour que les cendres tombent en travers sous le pot de combustion, vérifiez que la plaque couissante est en place pour fermer le plancher de la chambre.
4. Le tuyau de ventilation est mal installé.	Vérifiez que l'installation du tuyau répond aux critères du manuel d'utilisation.
5. Les connexions de fils du commutateur d'air sont mauvaises.	Contrôlez les connecteurs qui tiennent les fils gris sur le commutateur d'air.
6. Les fils gris sont désengagés du connecteur Molex sur le harnais de câblage.	Contrôlez si les fils gris sont désengagés au connecteur Molex.
7. Panne de soufflante de combustion.	Le poêle étant allumé, vérifiez si la soufflante de combustion tourne. Si ce n'est pas le cas, vous devez vérifier qu'elle est bien alimentée. Il doit y avoir l'intégralité de l'alimentation. Si elle est alimentée, c'est qu'elle est la soufflante est défectueuse. Sinon, allez au point suivant 8.
8. La carte de contrôle n'envoie pas d'alimentation à la soufflante de combustion.	Si il n'y a pas d'alimentation allant à la soufflante de combustion, vérifiez toutes les connexions de câblage. Si tous les fils sont bien branchés, votre carte de contrôle est défectueuse.
9. La carte de contrôle n'envoie pas d'alimentation au commutateur de débit d'air de combustion.	Il doit y avoir 5 V environ allant au commutateur d'air une fois que le poêle a été activé pendant 30 secondes.
10. Panne du commutateur de débit d'air (très rare).	Pour le vérifier, vous devez débrancher le tuyau d'air du corps de poêle. Avec l'autre bout restant fixé au commutateur d'air, aspirez doucement le bout libre du tuyau (vous pouvez vouloir ôter le tuyau complètement du poêle et du commutateur d'air pour vous assurer qu'il n'est pas bouché). Si vous entendez un déclic, le commutateur fonctionne. LE COMMUTATEUR D'AIR.

JOINTS DE PORTES ET VITRE

Inspectez périodiquement les joints de porte et de fenêtre vitrée. La porte principale a besoin d'être enlevée pour que des joints effilochés, cassés ou écrasés soient remplacés par votre revendeur agréé. Le joint de vitre comporte un espace en bas pour le lavage à l'air. La porte ce cette unité utilise un joint de corde de 3/4po de diamètre.

MOTEURS DE SOUFFLANTES

Nettoyez les trous d'air sur les moteurs des soufflantes d'évacuation et de distribution une fois par an. Sortez la soufflante d'évacuation de la conduite d'évacuation et nettoyez les pales de ventilation intérieures dans le cadre de votre programme de remise en état de marche à l'automne.

SURFACES PEINTES

Les surfaces peintes peuvent être nettoyées avec un chiffon humide. En cas de rayures, ou si vous souhaitez renouveler votre peinture, contactez votre revendeur agréé pour obtenir une peinture supportant les températures élevées.

VITRE - NETTOYAGE, DÉMONTAGE ET REMPLACEMENT D'UNE VITRE DE PORTE CASSÉE

Nettoyage - Nous recommandons d'utiliser un produit nettoyant pour vitres de grande qualité. En cas d'accumulation de crésote ou de carbone, vous pouvez souhaiter utiliser de la laine d'acier triple zéro et de l'eau pour nettoyer la vitre. N'utilisez PAS de nettoyeurs abrasifs. N'effectuez PAS le nettoyage pendant que la vitre est encore CHAUDE.

Dans le cas où vous auriez à remplacer la vitre, enlevez les six (6) vis et les attaches. En portant des gants en cuir (ou tous autres gants convenant à la manipulation de verre brisé), enlevez soigneusement tous les morceaux de verre libres de l'encadrement de porte. Mettez correctement au rebut tout le verre brisé. N'utilisez QUE du verre céramique pour température élevée de la bonne taille et la bonne épaisseur. NE substituez PAS de matériaux alternatifs à ce verre. Contactez votre revendeur agréé pour obtenir cette vitre. Mettez en place la vitre neuve et fixant les attaches et les vis, en prenant soin de ne pas trop serrer les vis afin de ne pas endommager la vitre. NE malmenez PAS la vitre de porte en frappant, en claquant la porte ou avec une contrainte similaire. Ne faites pas fonctionner le poêle avec la vitre enlevée, fendue ou cassée.

REMISE EN CONDITION D'AUTOMNE

Avant de faire le premier feu de la saison de chauffage, contrôlez la zone extérieure autour des systèmes d'évacuation et d'admission d'air pour déceler des obstructions éventuelles. Nettoyez et enlevez toute cendre volante du système de ventilation d'évacuation. Nettoyez tous les grilles du système d'évacuation et sur la partie extérieure de tuyau d'admission d'air. Activez toutes les commandes et vérifiez qu'elles fonctionnent bien. C'est également le bon moment pour effectuer un bon nettoyage général de tout le poêle.

MISE HORS SERVICE DE PRINTEMPS

Après le dernier feu du printemps, enlevez tous les granulés résiduels de la trémie et du système d'alimentation à vis sans fin. Sortez à la petite pelle le plus gros des granulés et lancez la vis sans fin pour bien vider la trémie sans que des granulés ne sortent (cela peut se faire en actionnant la commande "ON" avec la porte d'inspection ouverte). Aspirez dans la trémie. Nettoyez à fond le pot de combustion et la chambre de combustion. Il peut être utile de pulvériser l'intérieur de la trémie nettoyée avec une bombe aérosol de silicone si votre poêle est dans une zone à forte humidité.

LE SYSTÈME

D'ÉVACUATION DOIT

ÊTRE SOIGNEUSEMENT

NETTOYÉ.

Utilisez le guide qui suit, fait pour des conditions d'utilisation moyennes. Les joints autour de la porte et de la vitre de porte sont à inspecter, et à réparer ou remplacer si nécessaire.

Hebdomadaire	Quotidien	Mensuel ou suivant le besoin
Pot de combustion	Agitation	Vidage
Chambre de combustion	Brossage	
Cendres	Contrôle	Vidage
Chambres intérieures	Aspiration	
Pales de soufflante de combustion	Aspiration / brossage	
Pales de soufflante de convection	Aspiration / brossage	
Système de ventilation	Nettoyage	
Joint	Inspection	
Vitre	Essuyage	Nettoyage
Trémie (fin de saison)		Vidage et aspiration

Entretien

- Le fait de ne pas nettoyer et entretenir cette unité comme indiqué peut entraîner une performance médiocre et présenter des risques pour la sécurité.
- Débranchez le cordon d'alimentation de votre poêle avant d'enlever son panneau arrière ou d'ouvrir le système d'évacuation pour une inspection, un nettoyage ou de l'entretenir.
- N'effectuez jamais d'intervention pour inspecter, nettoyer ou entretenir sur un poêle encore chaud.
- Ne faites pas fonctionner le poêle avec une vitre cassée, une fuite de gaz de cheminée peut en résulter.
- AVERTISSEMENT LE et la cheminée connecteur doit être maintenu en bon état et propre.

SYSTÈME D'ÉVACUATION

Formation de créosote – Quand du bois est brûlé lentement, cela produit du goudron et d'autres vapeurs organiques, qui se combinent avec l'humidité chassée pour former de la créosote. Les vapeurs de créosote se condensent dans le conduit de cheminée relativement plus frais, ou avec un feu juste démarré ou qui brûle faiblement. Il en résulte que des résidus de créosote s'accumulent sur le revêtement du conduit de fumée. Si elle s'enflamme cette créosote produit un feu extrêmement chaud, qui peut endommager la cheminée et même détruire la maison. Malgré leur grande efficacité, les poêles à granulés peuvent dans certaines conditions accumuler de la créosote.

Cendre volante – Elle s'accumule dans la partie horizontale d'un tronc d'évacuation. Tout en n'étant pas combustible, elle peut gêner le flux normal d'évacuation. Il faut donc périodiquement l'enlever.

Inspection et élimination – La cheminée et son connecteur doivent être inspectés annuellement ou selon le poids de granulés consommés pour déterminer s'il y a eu accumulation de créosote ou de cendre. S'il y a accumulation de créosote, il faut l'éliminer pour réduire le risque d'un feu de cheminée. Inspectez le système à la connexion au poêle et en haut de la cheminée. Les surfaces les plus froides ont tendance à provoquer plus vite des dépôts de créosote, c'est pourquoi il est important de vérifier la cheminée depuis le haut comme depuis le bas. La créosote doit être éliminée avec une brosse spécialement conçue pour le type de cheminée utilisée. Un ramonneur de cheminée qualifié peut effectuer cette tâche. Il est également recommandé qu'avant chaque saison de chauffe tout le système soit inspecté professionnellement, nettoyé et si nécessaire réparé. Pour nettoyer la cheminée, débranchez la ventilation du poêle.

CHAMBRES INTÉRIEURES

Périodiquement, enlevez et nettoyez le pot de combustion et la zone à l'intérieur de son logement. En particulier, il est conseillé de nettoyer les trous dans le pot de combustion afin d'éliminer tout dépôt qui pourrait empêcher l'air de se déplacer librement au travers du pot de combustion. Enlevez les deux (2) plaques de chaque côté du logement de pot de combustion, et nettoyez la chambre arrière.

Si un aspirateur est utilisé pour nettoyer votre poêle, nous suggérons d'en utiliser un conçu pour éliminer la cendre. Certains aspirateurs classiques (comme les aspirateurs d'atelier) peuvent laisser partir de la cendre dans la pièce.

MISE AU REBUT DE LA CENDRE

Les cendres doivent être jetées dans un conteneur étanche avec un couvercle fermant bien. Ce conteneur de cendres fermé doit être mis sur un plancher non-combustible ou sur le sol, bien à l'écart de toutes les matières combustibles, en attendant leur mise au rebut finale. Si vous vous débarrassez des cendres en les enterrant dans le sol, ou en les dispersant localement, il faut les conserver en conteneur fermé jusqu'à ce que toutes les braises éventuelles aient bien refroidi. Ce conteneur ne doit pas être utilisé comme poubelle pour d'autres ordures ou déchets.

DÉTECTEURS DE FUMÉE ET DE CO

Le brûlage du bois produit naturellement des émissions de fumée et du monoxyde de carbone (CO). Le CO est un gaz poison lorsque l'exposition se fait à des concentrations élevées pour une période de temps prolongée. Bien que les systèmes de combustion modernes des chauffages réduisent de façon importante la quantité de CO émis par la cheminée, l'exposition aux gaz dans des endroits fermés ou clos peut être dangereuse. Assurez-vous que les joints d'étanchéité de votre poêle et les joints de la cheminée soient en bon état et qu'ils scellent correctement, évitant les expositions indésirables. Il est recommandé que vous utilisiez des détecteurs de fumée et de CO dans les zones où se trouve un potentiel de génération de CO.

CONTRÔLE ET NETTOYAGE DE LA TRÉMIE

Contrôlez périodiquement la trémie pour déterminer s'il y a de la sciure ou des granulés qui colleraient sur sa surface. Nettoyez si nécessaire.

Installation Du Thermostat

Thermostat Optionnel

Un thermostat optionnel peut vous aider à maintenir automatiquement constante la température de la maison. Un thermostat millivolt est nécessaire. Vous pouvez utiliser un modèle mural fixe ou un portatif. Le panneau de commande peut être configuré de deux façons pour faire fonctionner votre poêle en mode avec thermostat.

Installation Du Thermostat

UN THERMOSTAT MILLIVOLT EST NÉCESSAIRE.

Débranchez le poêle de la prise secteur.

Sortez la carte de contrôle du poêle;

Les deux fils de thermostat se branchent au bornier sur le

côté

inférieur gauche de l'envers de la carte.

Insérez ces deux fils dans le bornier et serrez-les avec les vis.

Modes

POUR COMMUTER ENTRE CES TROIS MODES, LE POÊLE DOIT

ÊTRE ARRÊTÉ, LE NOUVEAU MODE SÉLECTIONNÉ ET LE POÊLE

REDÉMARRÉ.

MODE MANUEL (Manual)

N'UTILISEZ CE MODE QUE SI VOUS NE BRANCHEZ PAS UN

THERMOSTAT OPTIONNEL.

Dans ce mode le poêle ne va être piloté que depuis le

panneau de commande, comme c'est détaillé dans la

section "FONCTIONNEMENT" de ce manuel.

MODE THERMOSTAT FORT/FAIBLE (High/Low)

N'UTILISEZ CE MODE QUE SI VOUS BRANCHEZ UN THERMOSTAT

Une fois dans ce mode le poêle va automatiquement

commuter entre les deux réglages. Quand il est assez

chaud, il va revenir au niveau 1 ou réglage faible. La

soufflante d'air de la pièce va aussi passer à sa vitesse

inférieure.

Le réglage "Heat Level Advance" de la barre va rester

où il a été mis initialement. Quand la maison refroidit sous

la température de consigne du thermostat, le poêle va

commuter sur le réglage fort du chauffage.

MODE THERMOSTAT M/A (On/Off)

N'UTILISEZ CE MODE QUE SI VOUS BRANCHEZ UN THERMOSTAT

Dans ce mode tout-ou-rien, quand la maison est assez

réchauffée le poêle s'arrête. Les ventilateurs continuent de

tourner jusqu'au refroidissement du poêle.

Quand la maison refroidit sous la température de consigne

du thermostat, le poêle va redémarrer automatiquement

avec le plus faible taux d'alimentation.

REMARQUE: Quand vous êtes dans un de ces deux modes

avec thermostat -

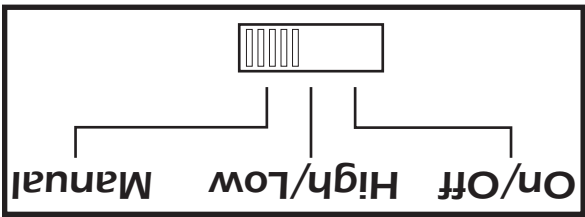
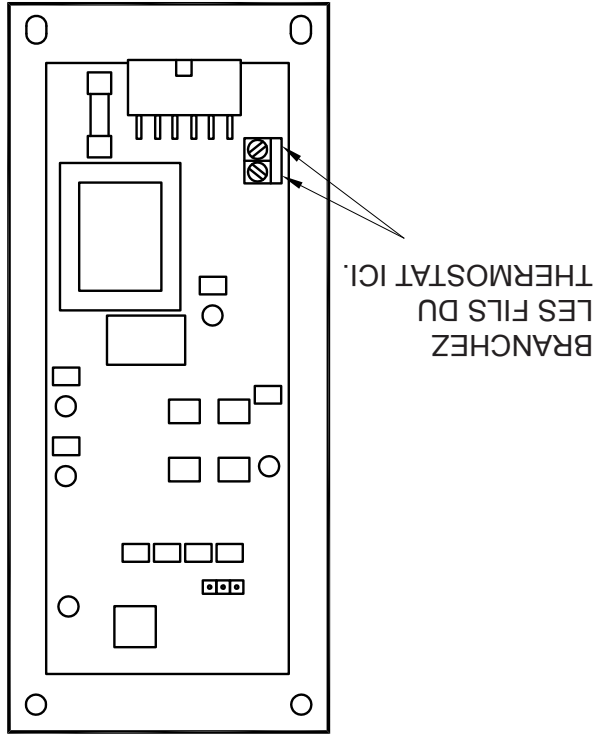
Ne faites pas fonctionner le poêle plus fort que le réglage 3.

Mettez la tige de commande de registre sortie de 3 à 6

mm. Cela va dépendre de l'altitude et des conditions

climatiques. Observez le fonctionnement du poêle et ajustez

le registre si nécessaire.



Fonctionnement

OUVERTURE DE LA PORTE

Si la porte est ouverte pendant que le poêle fonctionne, il faut la refermer dans les 30 secondes sinon le poêle va s'éteindre. Si cela se produisait, actionnez la commande "ON/OFF" pour redémarrer votre poêle.

VENTILATEUR D'AIR DE LA PIÈCE

Quand vous démarrez votre poêle, le ventilateur d'air de la pièce ne s'active pas avant que l'échangeur thermique se soit réchauffé. Cela prend en général 10 minutes à partir du démarrage.

REDÉMARRAGE D'UN POÊLE CHAUD

Si le poêle vient d'être arrêté et que vous voulez le redémarrer encore chaud, il vous faut maintenir activée pendant 2 secondes la commande "ON/OFF".

SI LE POÊLE N'A PLUS DE GRANULÉS

Le feu s'éteint et le moteur de vis sans fin et les soufflantes restent activés jusqu'à ce que le poêle ait refroidi. Cela prend 30 à 40 minutes. Une fois que les composants du poêle ont cessé de tourner, les voyants de "ON/OFF" et de la barre restent allumés pendant 10 minutes. Après les 10 minutes, le voyant "3" de la barre va clignoter et le voyant "ON/OFF" s'éteint. Pour redémarrer, regarnissez la trémie et actionnez la commande "Fuel Feed" jusqu'à ce que des granulés commencent à tomber dans le pot de combustion. Actionnez la commande "ON/OFF".

RÉAPPROVISIONNEMENT EN CARBURANT

- La trémie et le haut du poêle peuvent être chauds durant le fonctionnement, de ce fait portez toujours une certaine protection des mains pour regarnir le poêle.
- Ne mettez jamais vos mains près de la vis sans fin quand le poêle est en fonctionnement.

Nous vous recommandons de ne pas laisser le niveau de remplissage de la trémie descendre à moins d'un quart de sa contenance.

TOUJOURS MAINTENIR FERMÉ LE COUVERCLE DE TRÉMIE SAUF EN CAS D'ALIMENTATION. NE PAS TROP REMPLIR.

PROCÉDURE D'ARRÊT

Pour arrêter votre poêle il suffit d'appuyer sur "ON/OFF" au panneau de commande. Le voyant rouge s'éteint. Les soufflantes vont continuer de fonctionner jusqu'à ce que la température dans la chambre de combustion soit redescendue à un niveau prédéterminé.

AVERTISSEMENT: N'arrêtez jamais ce poêle en le débranchant par sa prise secteur.

DISPOSITIFS DE SÉCURITÉ

a. Votre poêle est équipé d'un thermostat pour température élevée. Ce dispositif de coupure de sécurité a deux fonctions.

1. Il reconnaît une situation de surchauffe dans le poêle et coupe l'alimentation en carburant du système à vis sans fin.
2. En cas de dysfonctionnement de soufflante de convection, le dispositif arrête automatiquement la vis sans fin, pour empêcher une surchauffe du poêle.

REMARQUE: Sur certains appareils, comme avec un disjoncteur, il faut actionner le bouton de restauration avant de redémarrer votre poêle. Sur d'autres, le thermostat ne s'active pas de bouton et la restauration se fait d'elle-même une fois que le poêle a refroidi. Le constructeur recommande d'appeler votre revendeur s'il y a un déclenchement qui peut indiquer un problème grave. Une intervention peut être nécessaire.

b. En cas de panne de la soufflante de combustion, un thermostat va automatiquement couper la vis dans fin. REMARQUE: L'ouverture de la porte de poêle pour plus de 30 secondes pendant le fonctionnement va provoquer assez de changement de pression pour activer ce thermostat, d'où un arrêt de l'alimentation. Dans ce cas, refermez la porte et actionnez "ON/OFF" pour relancer le fonctionnement de votre poêle.

AVERTISSEMENT DE FALSIFICATION

Ce chauffage au bois a un taux de combustion minimum réglé à la fabrication, et qui ne peut être modifié. La modification de ce réglage ou une utilisation autre de ce chauffage au bois qui ne respecterait pas les directives du présent manuel contrevient aux réglementations fédérales.

Fonctionnement

CONTRÔLE D'AVANT DÉMARRAGE

Enlevez le pot de combustion, en vous assurant qu'il est propre et qu'aucun des trous pour l'air n'est obstrué. Nettoyez la chambre de combustion, puis remettez en place le pot de combustion. Nettoyez la porte vitrée si nécessaire (un chiffon sec ou du papier essuie-tout suffisent généralement). N'utilisez jamais de nettoyeurs abrasifs sur la vitre ou la porte. Vérifiez le niveau de carburant dans la trémie, et faites l'appoint si nécessaire.

REMARQUE: La trémie 5520 peut contenir jusqu'à 54,4 kg de granulés.

CONSTRUCTION D'UN FEU

N'utilisez jamais de grille ou d'autre support pour le carburant. N'utilisez que le pot de combustion fourni avec le poêle. Le couvercle de trémie fermé doit être fermé pour que l'appareil allimente en granulés. Si c'est la première fois que vous avez démarré le poêle, ou à chaque fois que la trémie est vide de granulés, il sera nécessaire d'amorcer la vis sans fin. Pour cela actionnez la commande d'alimentation en carburant en la maintenant appuyée une fois que le poêle est démarré. Maintenez cette commande appuyée jusqu'à ce que des granulés commencent à tomber dans le pot de combustion, puis relâchez-la et laissez l'appareil fonctionner normalement.

Durant la période de démarrage:

1. N'ouvrez PAS la porte de contrôle.
2. N'ouvrez PAS le registre de plus de 1/4".
3. N'ajoutez PAS à la main de granulés dans le pot de combustion.
4. N'utilisez PAS la commande d'alimentation en carburant (sauf si vous devez amorcer la vis sans fin après un manque de granulés). Sinon une situation dangereuse pourrait en résulter.

REMARQUE: Durant les premiers feux, votre poêle va émettre une odeur au fur et à mesure du durcissement de la peinture pour forte température ou du vieillissement du métal. Maintenir des feux modestes va minimiser le phénomène. Évitez de placer des choses sur le dessus du poêle durant cette période car la peinture pourrait en souffrir.

ALLUMEUR AUTOMATIQUE PAR TIGE CHAUDE

- a. Rempissez la trémie et nettoyez le pot de combustion.
- b. Actionnez la commande "On/Off". Assurez-vous que son voyant est allumé.
- c. Le registre doit être complètement fermé ou n'être ouvert qu'à moins de 1/4" durant le démarrage. Cela va dépendre de votre installation et de l'altitude. Une fois le feu allumé, réglez pour la flamme voulue en augmentant de degré d'ouverture du registre quand le réglage de puissance de chauffe est augmenté (Voir à "COMMANDE DU REGISTRE").
- d. Ajustez le taux d'alimentation au niveau désiré en actionnant la commande "Heat Level Advance". Si le feu n'a pas démarré dans les 15 minutes, actionnez "ON/OFF", attendez quelques minutes, nettoyez le pot de combustion et recommencez la procédure.

Régilages air primaire (Glisser amortisseur est situé sur le côté gauche de la cuisinière) (Amortisseur réglage: Tirer sur l'amortisseur augmente l'air)	
Faible	Régilage 1 Chaleur, tiroir d'air complètement fermé
Moyen - Bas	Régilage 2 Chaleur, tiroir d'air fixé à 0,365" de fermeture complète
Moyen - Elevé	3 Régilage de la chaleur, tiroir d'air fixé à 1" de fermeture complète
Elevé	Régilage de chaleur 4, tiroir d'air complètement ouvert

COMMANDE DE REGISTRE

La tige de commande de registre sur le côté inférieur gauche du poêle ajuste l'air de combustion. Cette commande est nécessaire du fait des diverses caractéristiques de combustion des installations individuelles, des différentes marques de granulés et des taux d'alimentation en carburant. Elle vous permet d'améliorer l'efficacité de votre poêle. La fourniture d'une quantité correcte d'air de combustion réduit la fréquence du nettoyage de votre porte vitrée et empêche l'accumulation rapide de créosote à l'intérieur de votre poêle et de la cheminée. Vous devez ajuster le registre sur la base de l'aspect du feu. Un feu faible anormal et rougeâtre peut s'améliorer en tirant un peu pour sortir le registre. Un feu comme un chalumneau peut s'améliorer en repoussant un peu le registre. En règle générale, plus les réglages d'alimentation sont faibles plus le registre doit être d'avantage fermé. Avec de forts taux d'alimentation, le registre doit être plus ouvert. Vous trouverez le bon réglage par essais et rectifications. Consultez votre revendeur si vous avez besoin d'aide.

REMARQUE: En position d'alimentation "1", le registre doit être soit complètement fermé, soit sorti d'environ 3 à 6 mm. Si le registre est trop ouvert, cela peut causer l'extinction du feu.

Fonctionnement

- N'UTILISEZ PAS DE PRODUITS CHIMIQUES OU DE FLUIDES POUR DÉMARRER LE FEU - N'utilisez jamais d'essence, de carburant pour lampe à pétrole, du kérosène, de fluide d'allumage de charbon, ou des liquides similaires, pour démarrer ou "relancer" un feu dans ce poêle. Gardez de tels liquides bien à l'écart du poêle quand il est en fonctionnement.
- APPAREIL CHAUD EN FONCTIONNEMENT. GARDEZ LES ENFANTS, LES VÊTEMENTS ET LE MOBILIER À L'ÉCART. UN CONTACT PEUT CAUSER DES BRÛLURES DE LA PEAU.
- NE PAS UTILISER DES GRILLES OU SURÉLEVER LE FEU. FAITES LE FEU DIRECTEMENT DANS LE FOYER.
- NE SURCHAUFFEZ - Si le radiateur ou de la cheminée GLOWS des connecteurs, il ya emballément.
- Tentez d'atteindre un taux de puissance calorifique dépassant les spécifications de conception du chauffage peut lui causer des dommages permanents.

CARBURANT ADÉQUAT

Le chauffage est conçu pour ne brûler que des granulés de classe ordinaire après le 16 mai 2015.

NE PAS BRÛLER:

1. Des ordures;
2. Des déchets de tonte ou résidus de jardin;
3. Des matériaux contenant du caoutchouc,
4. Matériaux contenant du plastique;
5. Des déchets de produits du pétrole, des peintures ou diluants à peinture, ou des produits d'asphalte;
6. Matériaux contenant de l'amiant;
7. Débris de construction ou de démolition;
8. Traverses de voie ferrée ou bois traité sous pression;
9. Fumier ou restes d'animaux;

Le brûlage de ces matériaux peut causer des émissions de fumées toxiques ou rendre le chauffage inefficace en raison de la fumée. CE POÊLE EST APPROUVÉ POUR BRÛLER DU CARBURANT EN GRANULÉS UNIQUEMENT! Les granulés approuvés par l'usine font un diamètre de 1/4" à 5/16" (6,3-7,9 mm), avec une longueur inférieure à 1" (25 mm) Des granulés plus longs ou plus épais n'entrent pas dans les entraînements de la vis sans fin, ce qui empêche une alimentation correcte. Il n'est pas autorisé de faire brûler du bois sous une forme différente de granulés. Ce serait une infraction aux normes de construction pour lesquelles ce poêle a été approuvé, et cela annulerait les garanties. La conception comprend une alimentation automatique du feu par du carburant en granulés à un taux soigneusement étudié. Toute introduction manuelle de carburant supplémentaire n'augmenterait pas la puissance de chauffe, mais dégraderait considérablement la performance du poêle en générant beaucoup de fumée. Ne faites pas brûler des granulés mouillés. La performance du poêle dépend fortement de la qualité de votre carburant en granulés. Évitez les marques de granulés présentant ces caractéristiques:

- a. Trop de poussier – ce terme décrit des résidus de granulés écrasés ou de matière libre ressemblant à de la sciure ou du sable. Les granulés peuvent être tamisés avant d'être mis dans la trémie pour éliminer le plus gros du poussier.
- b. Présence de liants – certains granulés sont produits avec des composants pour les agglomérer ou les lier.
- c. Fort contenu en cendres – les granulés de qualité médiocre qui souvent fument et salissent la vitre. Ils créent le besoin pour de l'entretien plus fréquent. Vous aurez à vider le pot de combustion et à aspirer tout le système plus fréquemment. Des granulés de mauvaise qualité peuvent endommager la vis sans fin. U. S. Stove ne peut pas assumer la responsabilité de dommages dus à la mauvaise qualité des granulés.

Panneau De Commande

COMMANDES DU PANNEAU

Les souffiantes et l'alimentation automatique en carburant sont commandées depuis un panneau situé sur le côté droit du poêle. Les fonctions du panneau sont:

- Quand cette commande est actionnée le poêle s'allume automatiquement. Aucun autre allumeur de feu n'est nécessaire. L'allumeur reste activé de 10 à 15 minutes, selon le moment où la présence de feu est établie. Le feu doit prendre après 5 minutes environ.
- Le voyant vert situé au-dessus de la commande M/A dans le carré marqué ON/OFF va clignoter durant la période d'allumage au démarrage.
- La sélection de puissance "Heat Level Advance" est inhibée durant cette période d'allumage. Quand le précédent voyant vert reste allumé en permanence la puissance de chauffe peut être ajustée au niveau voulu avec la commande.
- REMARQUE: Si le poêle a été coupé, et que vous voulez le redémarrer pendant qu'il est encore chaud, il faut maintenir activée la commande ON/OFF pendant 2 secondes.

B. COMMANDE D'ALIMENTATION EN CARBURANT

- Quand la commande "Fuel Feed" est actionnée et maintenue appuyée, le poêle va envoyer continuellement des granulés dans le pot de combustion.
- Pendant que le système de vis sans fin du poêle alimente en granulés, le voyant vert dans le carré "Fuel Feed" sera allumé.
- ATTENTION: N'UTILISEZ PAS CETTE COMMANDE EN FONCTIONNEMENT NORMAL CAR CELA POURRAIT ÉTOUFFER LE FEU ET ENTRÂÎNER UNE SITUATION DANGEREUSE.

C. COMMANDE DE VENTILATION RAPIDE

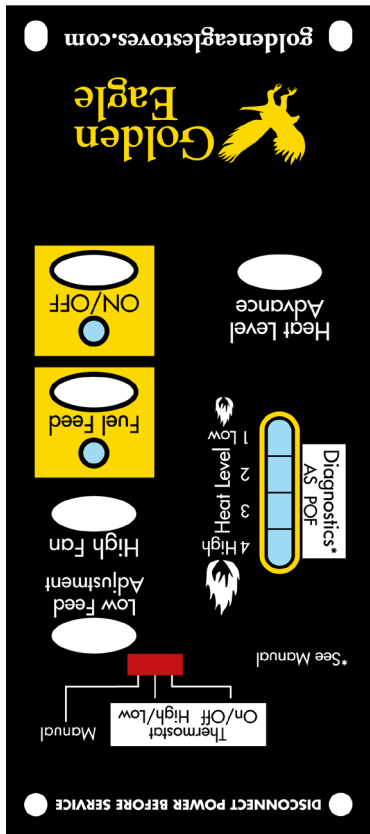
- La vitesse de ventilation dans la pièce varie directement en fonction du taux d'alimentation. La commande "HIGH FAN" surpasse cette fonction de ventilation à vitesse variable. Elle fixe la vitesse de ventilation dans la pièce au maximum quelque soit le taux d'alimentation en carburant.
- Quand cette commande "HIGH FAN" est actionnée le ventilateur tourne à son réglage maximal.
- Quand cette commande est actionnée de nouveau, le ventilateur revient à son réglage de vitesse d'origine déterminé par le réglage de "Heat Level Advance".

D. COMMANDE D'ADAPTATION

Des granulés de carburant de taille/qualité différentes peuvent nécessiter un ajustement du réglage "1" d'alimentation sur la barre de "Heat Level Advance". C'est généralement un ajustement ponctuel selon le carburant utilisé. Cette commande permet trois niveaux différents d'adaptation d'alimentation pour le réglage "1" uniquement. Il suffit d'actionner la commande "RESET TRIM" pendant le fonctionnement du poêle en réglage "1" et de regarder la barre.

- Les voyants "1" et "3" sont allumés sur la barre: le taux d'alimentation faible est à son plus bas niveau (environ 0,4 kg/h).
- Le voyant "1" est seul allumé sur la barre: le taux d'alimentation faible est à son niveau normal.
- Les voyants "1" et "4" sont allumés sur la barre: le taux d'alimentation faible est à son plus haut niveau.
- REMARQUE: Quand le poêle est réglé sur "1" les valeurs d'adaptation sont indiquées sur la barre de "RESET TRIM". Par exemple si l'ajustement a été mis au plus bas niveau, chaque fois que le poêle est réglé sur chauffage faible les voyants "1" et "3" seront allumés sur la barre.
- E. PROGRESSION DU NIVEAU DE CHAUFFE
- Quand cette commande est actionnée elle règle le taux d'alimentation en granulés, donc la puissance de chauffe de votre poêle. Ces niveaux vont progresser de façon incrémentale sur la barre indicatrice, en allant de "1" à "4".

REMARQUE: Quand vous baissez la puissance de chauffe de plusieurs niveaux (de 4 à 1), actionnez la commande "High Fan" pour ventiler à pleine puissance au moins 5 minutes, afin d'éviter que le poêle ne fasse déclencher son thermostat pour température trop forte. S'il se déclençait, consultez "DISPOSITIFS DE SÉCURITÉ".



Installation

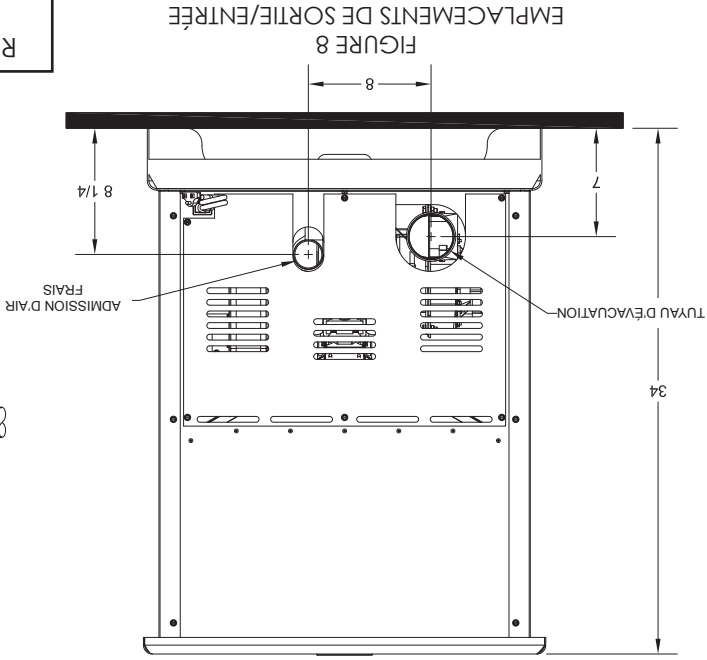
Fourniture d'air extérieur (optionnel, sauf si l'installation est dans une maison mobile)

Suivant l'emplacement et la construction de la maison, de l'air extérieur peut être nécessaire pour une performance optimale.

Du tuyau métallique (rigide ou flexible) doit être utilisé pour l'installation d'apport d'air extérieur. Le tuyau en PVC n'est pas approuvé et ne doit jamais être utilisé.

Il faut utiliser un pare-vent au-dessus de la terminaison du tuyau de prise d'air extérieur, ou un coude à 90°, ou une inclinaison à l'opposé des vents dominants, quand du tuyau est installé pour l'air au travers du côté d'un bâtiment. La terminaison de la prise d'air extérieur DOIT être à au moins 1 pied (30 cm) à l'écart de la terminaison du système d'évacuation.

Le tuyau pour prise d'air extérieur de votre poêle fait 2 pouces (50,8 mm) de diamètre extérieur. Le tuyau extérieur de connexion doit faire au moins ce diamètre. Sa connexion ne doit PAS restreindre la quantité d'air disponible pour votre poêle. Ce tuyau doit être aussi court et rectiligne que possible, et doit s'adapter par-dessus, et non en dedans, de la connexion pour air extérieur du poêle.



BESOINS SPÉCIAUX POUR MAISON MOBILE

AVERTISSEMENT - NE FAITES PAS D'INSTALLATION DANS UNE CHAMBRE

ATTENTION! - IL FAUT PRÉSERVER L'INTÉGRITÉ STRUCTURELLE DE LA MAISON MOBILE (PLANCHER, CLOISONS, PLAFOND/TOIT).

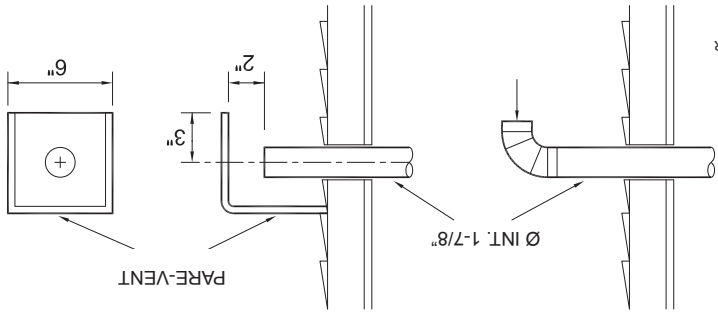
Un détecteur de fumée fonctionnel doit être installé dans la même pièce que ce produit. Il doit être installé à au moins 15 pieds (4,57 m) de l'appareil afin d'éviter le déclenchement injustifié du détecteur lors du rechargement.

En plus des besoins précédemment détaillés pour l'installation, les installations en maison mobile doivent respecter ceux-ci:

- Le chauffe-eau doit être boulonné en permanence au sol par les trous prévus à la base.
- Le poêle doit être en permanence fixé au plancher.
- Le poêle doit être électriquement relié à la terre via le châssis en acier de la maison mobile avec un fil de cuivre calibre 8, en utilisant une rondelle crantée ou éventail pour pénétrer la peinture ou le revêtement protecteur et assurer la liaison de terre.
- La ventilation doit être en "PL" de 3 ou 4 pouces et sortir d'au moins 3/8 pouce (9,5 mm) au-dessus de la ligne de toit de la maison, et doit s'installer avec un coupe-feu de toit listé UL et un chapeau de pluie. Quand vous déplacez votre maison mobile, toute la ventilation extérieure doit être démontée jusqu'à ce que la maison soit de nouveau à emplacement fixe. Après le déménagement, toute la ventilation peut être réinstallée et solidement fixée.
- Une prise d'air à l'extérieur est obligatoire pour une installation en maison mobile. Consultez votre revendeur pour l'achat.
- Vérifiez auprès de vos autorités locales pour la construction si d'autres normes sont applicables.

REMARQUE: Les dimensions depuis le sol de vos tuyaux d'entrée et sortie de poêle sont approximatives et peuvent varier selon votre installation.

FIGURE 9
TERMINAISON TYPE POUR AIR FRAIS



Les installations au Canada doivent être conformes à la norme CAN/CSA-B365.

Pour ventiler l'appareil au travers d'un mur, branchez l'adaptateur de tuyau sur l'adaptateur de moteur d'évacuation. Si l'adaptateur d'évacuation est à au moins 18 pouces (457 mm) au-dessus du niveau du sol, une section droite de tube de ventilation pour granulés peut être utilisée au travers du mur.

Votre revendeur de chauffage devrait être capable de vous procurer un kit solutionnant le plus gros de cette installation, incluant un manchon mural permettant un écartement adéquat au travers d'un mur combustible. Une fois hors de la structure, un écartement de 3 pouces (76 mm) doit être conservé depuis l'extérieur du mur, et un té pour le nettoyage doit être placé sur le tuyau avec une orientation à 90° par rapport à la maison. À cet endroit, il faut ajouter une section de tuyau d'au moins 3 pieds (91 cm) avec un capuchon horizontal, pour compléter l'installation (Voir la Figure 7).

Une cornière de support est à placer juste sous le capuchon d'extrémité, ou bien un tous les 4 pieds (122 cm) pour mieux stabiliser le système. Si vous habitez dans une région subissant de fortes chutes de neige, il est recommandé que l'installation fasse plus de 3 pieds (91 cm) afin de rester au-dessus de l'amoncellement neigeux. La même installation peut être utilisée si votre poêle est sous le niveau du sol, en ajoutant simplement la section de nettoyage et le tuyau vertical à l'intérieur jusqu'à ce que le niveau du sol soit atteint. Avec cette installation, vous devez connaître le niveau maximal que pourraient atteindre la neige, les herbes et les feuilles.

Nous recommandons une montée minimale de 3 pieds (91 cm) à l'intérieur ou à l'extérieur de la maison.

L'installation "au travers" est la solution la moins chère et la plus simple. Ne terminez jamais l'extrémité de ventilation sous une plate-forme, une alcôve ou une fenêtre, ou entre deux fenêtres. Nous recommandons l'utilisation de kits Simpson Dura-Vent® ou Metal-Fab®.

INSTALLATION AU TRAVERS D'UN TOIT/PLAFOND

Quand la ventilation du poêle sort par le plafond, le tuyau est relié de la même façon qu'au travers d'un mur, sauf que le té de nettoyage doit rester toujours à l'intérieur de la maison, et qu'un adaptateur de 3 pouces (76 mm) est ajouté avant ce té.

Vous devez utiliser les brides de support de plafond appropriées et un solin de toit (fournis par le fabricant de tuyau, suivez ses instructions de pose). Il est important de noter que si votre tronçon vertical de tuyau fait plus de 15 pieds (4,57 m), le calibre du tuyau de ventilation pour granulés doit passer à 4 pouces (102 mm) de diamètre.

Ne dépassez pas 4 pieds (122 cm) de tuyau pour la partie horizontale, et utilisez aussi peu de coudes que possible. Si un décalage est nécessaire, il vaut mieux placer des coudes à 45° que des coudes à 90°.

INSTALLATION AU TRAVERS D'UN MUR (RECOMMANDÉE)

Installation

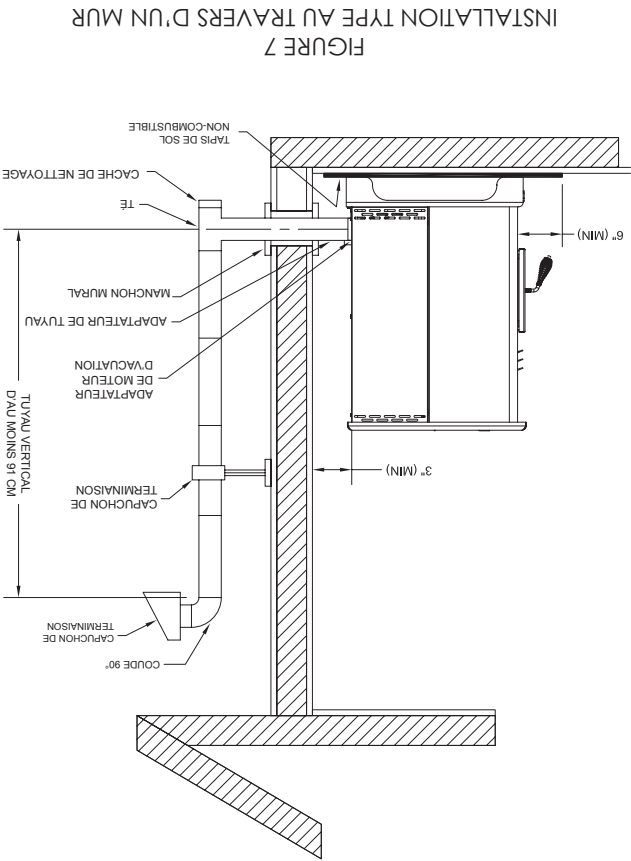


FIGURE 7
INSTALLATION TYPE AU TRAVERS D'UN MUR

Installation

INSTALLATION DE VENTILATION POUR GRANULÉS

L'installation doit inclure un té de nettoyage pour permettre la collecte de cendres volantes et faciliter le nettoyage périodique du système d'évacuation. Des coudes à 90° font s'accumuler les cendres volantes et la suie, ce qui réduit le flux d'évacuation et la performance du poêle. Chaque coude ou té réduit le potentiel de tirage de 30 à 50%. Toutes les jonctions du système de ventilation doivent être tenues par au moins 3 vis, et doivent toutes être bien étanchéifiées avec du mastic à la silicone pour températures élevées. La zone où le tuyau de ventilation pénètre l'extérieur de la maison doit aussi être étanchéifiée avec du mastic aux silicones ou d'autres matières, afin de conserver une barrière contre la vapeur entre l'extérieur et l'intérieur de la maison. Les surfaces de la ventilation peuvent devenir assez chaudes pour causer des brûlures si elles sont touchées par des enfants. Des écrans ou protections non-combustibles peuvent être nécessaires.

TERMINAISON DE VENTILATION POUR GRANULÉS

Ne terminez pas la ventilation dans une zone totalement ou partiellement fermée, comme un abri de voiture, garage, grenier, vide sanitaire, dessous de solarium ou de porche, allée étroite, ou tout autre emplacement où peuvent s'accumuler des concentrations de fumées. La terminaison doit évacuer au-dessus de la hauteur de la prise d'admission d'air. Elle ne doit pas sortir à un endroit susceptible d'être obstrué par de la neige ou d'autres choses. Ne terminez pas la ventilation dans une cheminée existante en acier ou maçonnerie.

ÉCARTEMENTS PAR RAPPORT À LA TERMINAISON DE VENTILATION

- A. Écartement d'au moins 4 pieds (1,2 m) en-dessous et à côté de toute porte ou fenêtre pouvant s'ouvrir.
- B. Écartement d'au moins 1 pied (30 cm) au-dessus de toute porte ou fenêtre pouvant s'ouvrir.
- C. Écartement d'au moins 3 pieds (90 cm) par rapport à tout bâtiment adjacent.
- D. Écartement d'au moins 7 pieds (2,1 m) de tout niveau au sol s'il est adjacent à des passages publics.
- E. Écartement d'au moins 2 pieds (60 cm) au-dessus de toute herbe ou plante, ou d'autres matières combustibles.
- F. Écartement d'au moins 3 pieds (90 cm) par rapport à une admission d'air forcée de tout appareil.
- G. Écartement d'au moins 2 pieds (60 cm) sous des avant-toits ou des surplombs.
- H. Écartement d'au moins 1 pied (30 cm) horizontalement par rapport à un mur combustible.
- I. Écartement minimum de 3 pieds (90 cm) au-dessus du toit et de 2 pieds (60 cm) au-dessus du plus haut point du toit dans un rayon de 10 pieds (3 m).

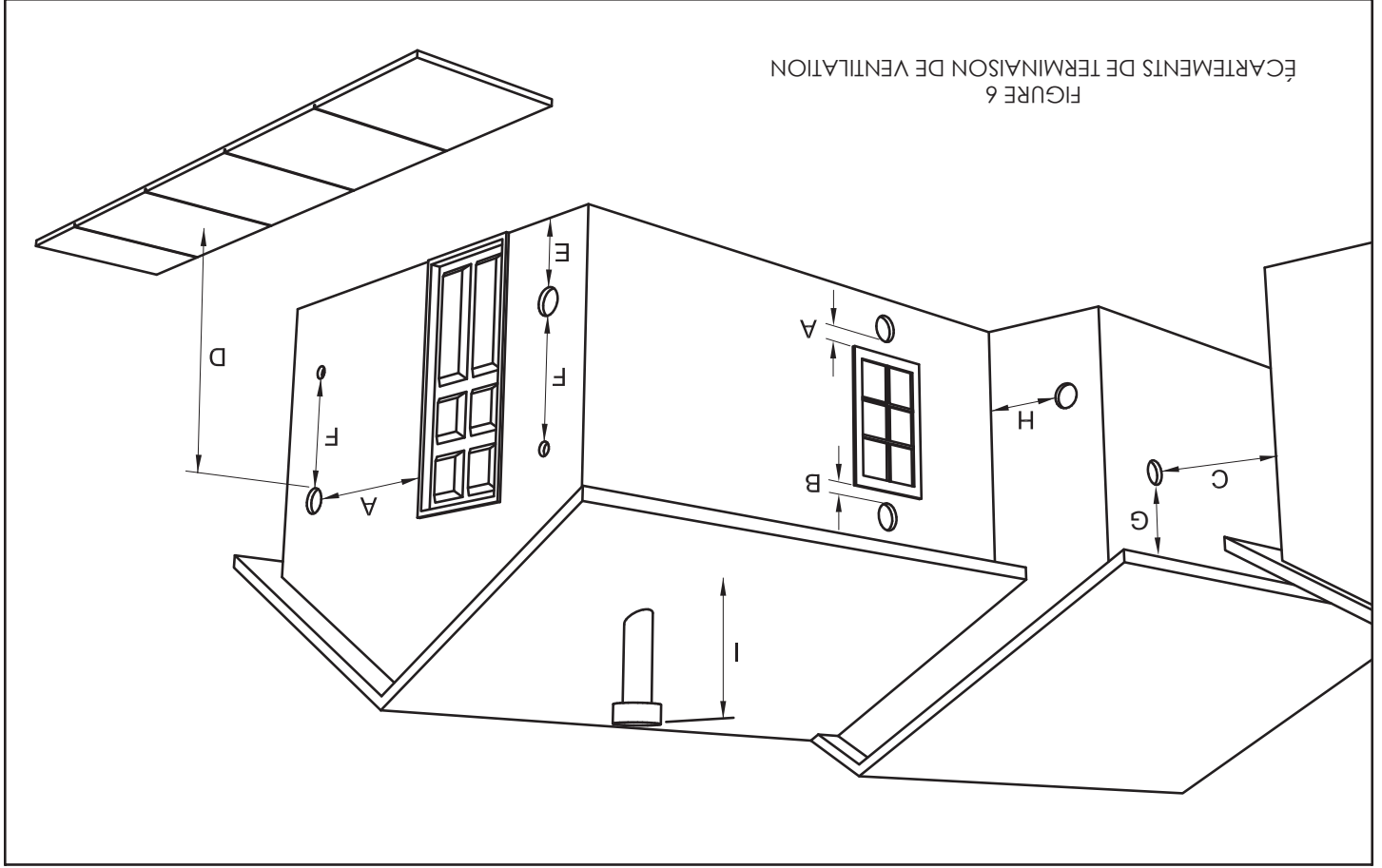


FIGURE 6
ÉCARTEMENTS DE TERMINAISON DE VENTILATION

Installation

BESOINS DE VENTILATION

- Installez la ventilation avec les écarternements spécifiés par son fabricant.
- Ne connectez pas la ventilation pour granules à une ventilation desservant un autre appareil ou poêle.
- N'installez pas de registre de tirage dans le système de ventilation d'évacuation de cet appareil.
- Les consignes d'installation qui suivent doivent être respectées pour assurer une conformité avec le label de sécurité de ce poêle et les normes locales de construction. Ne faites pas d'improvisations ou de compromis lors de l'installation.

IMPORTANT! Cet appareil est équipé d'un système à tirage négatif qui tire l'air du pot de combustion et pousse l'évacuation hors de la maison. Si cet appareil est branché sur un système de cheminée autre que ce qui est expliqué dans ce manuel, il ne fonctionnera pas correctement.

DISTANCE MAXIMALE DE VENTILATION

L'installation DOIT inclure au moins 90 cm de tuyau vertical hors de la maison. Cela va créer un tirage naturel pour réduire la possibilité de fumée ou d'odeur au moment de l'extinction du poêle, et empêcher que l'évacuation ne représente une gêne ou un risque en exposant des personnes ou des arbrustes à des températures élevées. Le maximum recommandé de hauteur verticale est de 3,66 m pour une ventilation en 3 pouces de type "PL". Le maximum de conduit de ventilation en horizontal NE doit PAS dépasser 120 cm. Cela pourrait causer une contre-pression. N'utilisez pas plus de 180° de coudes (deux coudes de 90°, ou deux de 45° plus un de 90°, par exemple) afin de conserver un tirage adéquat.

IMPORTANT D'UN TIRAGE ADEQUAT

Le tirage est une force déplaçant l'air de l'appareil vers la cheminée. La quantité de tirage dans votre cheminée dépend de sa longueur, son emplacement géographique local, les obstructions à proximité et autres facteurs. Trop de tirage peut causer des températures excessives dans l'appareil. Un tirage inadéquat peut causer des retours de fumée dans la pièce et causer l'obturation de la cheminée. Un tirage inadéquat causera des fuites de fumée par l'appareil dans la pièce, s'infiltrant par l'appareil, et les joints du conduit de raccordement. Un brûlage incontrôlable ou une température excessive indique un tirage excessif. Tenez compte de l'emplacement de la cheminée pour veiller à ce qu'elle ne soit pas trop près des voisins ou dans une vallée pouvant causer des conditions malsaines ou nuisibles.

TYPE DE VENTILATION POUR GRANULES

Un système de ventilation d'évacuation liste UL de type "PL" en 3 ou 4 pouces pour appareils à granules peut être utilisé pour l'installation, et se fixe sur le connecteur de tuyau fourni à l'arrière du poêle (utilisez un convertisseur de 3 à 4 pouces si votre tuyau fait 4 pouces). La connexion à l'arrière du poêle doit être étanchéifiée en utilisant une vulcanisation pour haute température. Préférez une ventilation en 4 pouces si la hauteur de ventilation dépasse 3,66 m ou si l'installation se fait à plus de 7,62 m d'altitude. Nous recommandons l'utilisation de tuyau Simpson Dura-Vent® ou Metal-Fab® (si vous utilisez un autre tuyau, consultez vos normes locales de construction et/ou des inspecteurs de bâtiments). N'utilisez pas de tuyau de ventilation pour gaz de type B ni de tuyau galvanisé avec cet appareil. Le tuyau de ventilation pour granules est conçu pour se démonter afin de nettoyer, et doit être contrôlé plusieurs fois durant la saison de chauffe. Ce tuyau de ventilation pour granules n'est pas fourni avec le poêle et doit s'acheter séparément.

Installation

ÉCARTEMENTS

Votre poêle à granulés a été testé et listé pour une installation en maison résidentielle ou mobile, et des applications en alcôve en conformité avec les écartements donnés aux Figures 3-5 et au Tableau 1. Toute réduction d'un écartement par rapport à des combustibles ne peut se faire qu'au travers d'une autorité de réglementation agréée.

REMARQUE: La distance "C" sur le côté gauche de votre poêle à granulés peut avoir à être supérieure à l'écartement minimal nécessaire pour laisser un accès convertible au panneau de commande.

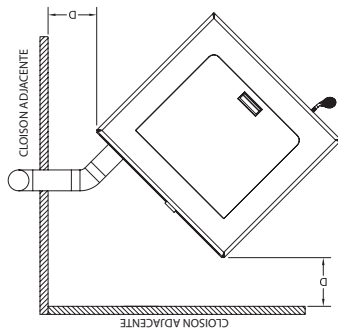
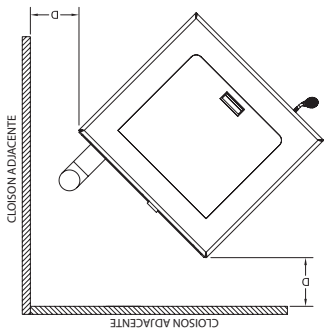


FIGURE 4
ÉCARTEMENTS/CLOISON LATÉRALE
INSTALLATION EN ANGLE

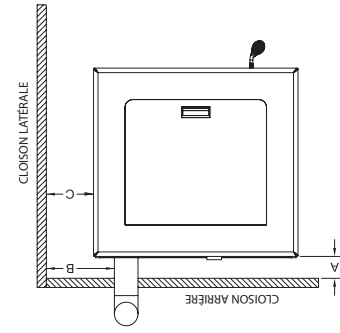
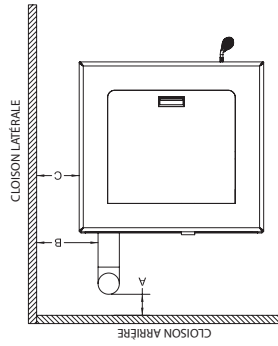


FIGURE 3
ÉCARTEMENTS/CLOISON LATÉRALE
INSTALLATION PARALLÈLE

PARALLÈLE			EN ANGLE		
A - cloison arrière à poêle	3,00	76 mm	D - cloison adjacente à poêle	1,00	25,4mm
B - cloison latérale à cheminée	16,00	406mm	E - profondeur d'alcôve	36,00	914mm
C - cloison latérale à bord du haut	12,00	305mm	F - hauteur d'alcôve	60,00	1520mm

TABEAU 1
ÉCARTEMENTS

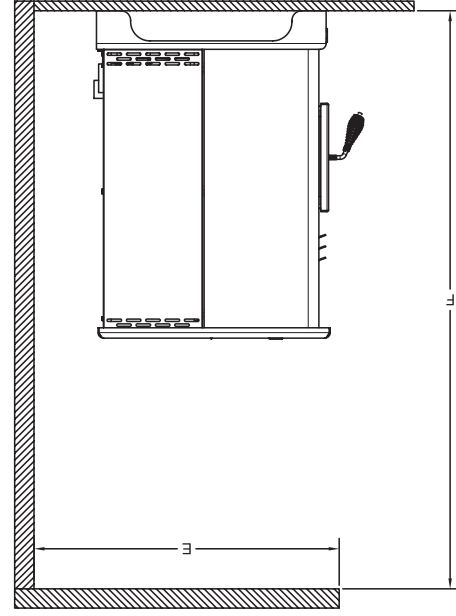


FIGURE 5
ÉCARTEMENTS EN ALCÔVE

Installation

OPTIONS D'INSTALLATION

Lisez entièrement ce manuel avant d'installer et d'utiliser votre poêle à granules. Sinon cela peut entraîner des dégâts matériels et des blessures corporelles, et même être fatal!

(Consultez les détails spécifiques d'installation pour les écartements et d'autres exigences).

Appareil autonome — Supporté par un socle/des pieds et placé sur une surface de plancher non-combustible en conformité avec les exigences d'écartements pour une installation en poêle autonome.

Appareil d'alcôve — Supporté par un socle/des pieds et placé sur une surface de plancher non-combustible en conformité avec les exigences d'écartements pour une installation en poêle d'alcôve.

Votre poêle à granules peut être installé selon la norme dans une maison conventionnelle ou mobile (Voyez la section EXIGENCES SPÉCIALES POUR MAISON MOBILE). L'installation doit être en conformité avec la norme de sécurité pour maison préfabriquée HUD, CFR3280, Partie 24.

Il est recommandé que seul un technicien agréé installe votre poêle à granules, qui sera de préférence un spécialiste NFI certifié.

NE BRANCHEZ PAS CET APPAREIL SUR UN QUELCONQUE SYSTÈME OU CONDUIT DE DISTRIBUTION D'AIR.

INSTALLATION INCORRECTE: Le constructeur ne sera pas tenu pour responsable des dommages causés par un dysfonctionnement du poêle qui serait dû à une ventilation ou une installation incorrecte. Appelez le (800) 750-2723 et/ou consultez un installateur professionnel si vous aviez des questions.

PROTECTION DU SOL

Cet appareil doit être installé sur une protection de sol non-combustible d'épaisseur 1,3 cm avec une valeur k de conductivité de 0,042. Une protection de 2,5 cm d'épaisseur de valeur k 0,084 est aussi acceptable. Cette protection doit être assez large pour dépasser d'au moins 6 po. (15 cm) à l'avant et de chaque côté, et de 1 po. (2,5 cm) à l'arrière du poêle. Cette protection de sol doit se prolonger sous et 5 cm de chaque côté du té de cheminée pour une installation d'intérieur verticale.

Votre poêle à granules a besoin d'une protection de sol qui fasse au moins 31 x 38 pouces (787 x 965 mm).

FIGURE 1
INSTALLATION AU TRAVERS D'UN MUR

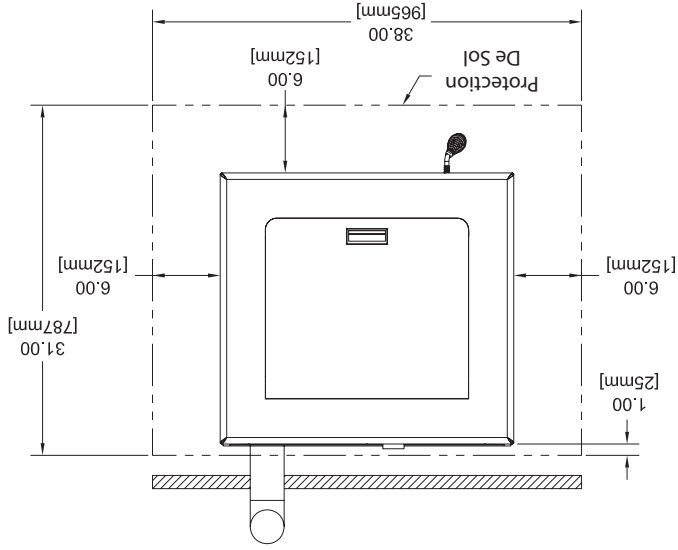
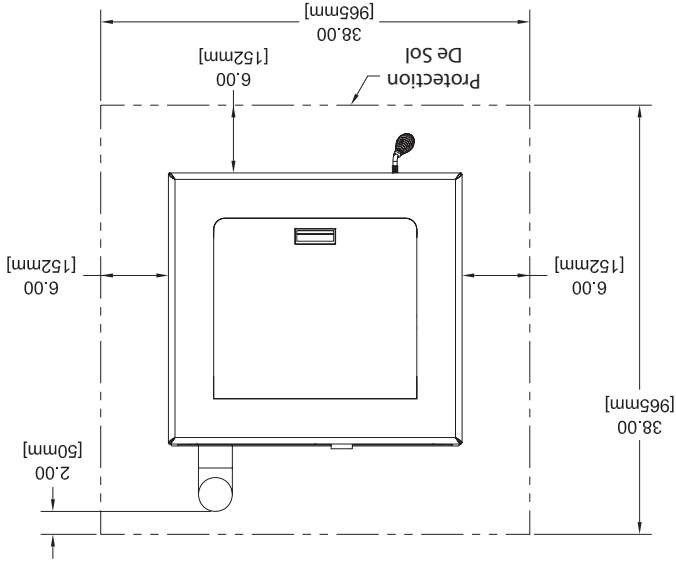


FIGURE 2
INSTALLATION INTÉRIEURE VERTICALE



Spécifications

Spécifications De Chauffage	
Taux de combustion du carburant*	1,0 /h (0,5 kg/h)
Durée de combustion (plus bas réglage)	120 h (environ)
Capacité de trémie	120 lbs. (55 kg)

* La taille des granulés peut influencer le taux réel d'alimentation en carburant et les durées de combustion. Les taux d'alimentation en carburant peuvent varier de jusqu'à 20%. Utilisez des carburants listés PFI pour obtenir les meilleurs résultats.

Dimensions	
Hauteur	34 po. (864 mm)
Largeur	26 po. (660 mm)
Profondeur	27 po. (686 mm)
Poids	210 lbs. (95,5 kg)

Spécifications électriques	
Spécification électrique	110-120 volts, 60 HZ, 3,0 Ampères
Watts (en régime de croisière)	175 (environ)
Watts (allumeur en action)	425 (environ)

FUMÉE VISIBLE

La quantité visible de fumée produite peut être une méthode efficace pour déterminer comment le processus de combustion s'établit efficacement aux réglages donnés. La fumée visible est composée de combustible non brûlé et de l'humidité s'échappant de votre poêle. Apprenez comment ajuster les réglages d'air de votre unité afin de produire la plus petite quantité de fumée visible. Le bois incorrectement séché a une teneur élevée en humidité et produira un excès de fumée visible et un mauvais brûlage.

CONSIDÉRATIONS SUR LES CARBURANTS

Votre poêle à granulés a été conçu pour brûler des granulés de bois dur de qualité compatible avec les normes des industries des carburants en granulés (Minimum de 40 lbs de densité par pied³, diamètre 1/4" à 5/16" (6,3-7,9 mm), longueur inférieure à 1,5" (38 mm), moins de 8 200 BTU/lb, humidité moins de 8% en poids, cendre moins de 1% en poids, et sel moins de 300 ppm). Les granulés qui sont mous, contiennent trop de poussière de sciage, ou ont été mouillés, amèneront une réduction de performance. Conservez vos granulés dans un lieu sec. N'entreposez PAS le carburant plus près que les écartements avec l'appareil, ou dans l'espace requis pour recharger en carburant ou enlever les cendres. En le faisant vous risquez de mettre le feu à la maison.

SÉCURITÉ ET CONFORMITÉ EPA

Votre poêle à granulés a été approuvé pour une installation aux USA et au Canada. Il peut aussi s'installer dans une maison préfabriquée ou mobile. Sa sécurité a été testée et il est listé compatible avec ASTM E 1509-04, ULC-S627-00, ULC/ORD C1482-90, et (UM) 84-HUD par INTERTEK Testing Services à Fairview, Oregon USA. Rappelez-vous, cet appareil ne doit pas être utilisé comme seule source de chaleur dans la maison. Les pannes d'électricité et la négligence de l'entretien périodique se traduira par une perte totale de chaleur.

Remarque: Enregistrez votre produit en ligne à www.usstove.com, section «Garantie limitée» pour obtenir des informations de garantie spécifique pour votre nouvel achat. Voir. Conservez votre reçu avec vos dossiers pour toute réclamation.

Précautions De Sécurité

Ce manuel décrit l'installation et le fonctionnement du chauffage au bois, Golden Eagle, 5520. Ce chauffage respecte les limites d'émission 2015 de bois en saison de la U.S. Environmental Protection Agency pour les chauffages au bois solide après le 15 mai 2015. Sous les conditions spécifiques du test, ce chauffage a démontré un taux de chauffage de 8,211 à 34,039 Btu/h.

- IMPORTANT: Lisez tout ce manuel avant d'installer ou d'utiliser ce produit. Sinon, cela peut entraîner des dégâts matériels et des blessures corporelles, et même être fatal. Une bonne installation de ce poêle est cruciale pour un fonctionnement sans risques/efficacité. Installez la ventilation avec les écartements spécifiés par son fabricant.
- Si un feu de cheminée ou de créosote se produit, appuyez immédiatement sur le bouton "off", ne pas débrancher l'appareil.
- NE PAS se connecter ou utiliser en conjonction avec n'importe quelle distribution conduit d'air, sauf accord spécifique de ces installations.
- Ne connectez pas la ventilation pour granulés à une ventilation desservant un autre appareil ou poêle.
- N'installez pas de registre de tirage dans le système de ventilation d'évacuation de cet appareil.
- L'utilisation d'air extérieur n'est pas nécessaire pour cet appareil.
- Contactez les autorités officielles de construction locales pour obtenir un permis et des informations sur toutes contraintes d'installation ou exigences d'inspection dans votre secteur.
- Ne jetez pas ce manuel. Il contient des instructions importantes sur l'utilisation et l'entretien dont vous pourriez avoir besoin plus tard. Suivez toujours les instructions données dans ce manuel.
- Cet appareil est conçu pour utiliser du carburant en granulés qui répondent au moins aux normes définies par le PFI (Institut américain pour ce type de carburant). L'utilisation d'autres carburants annulerait la garantie. N'utilisez jamais d'essence, de carburant pour lampe à pétrole, du kérosène, de fluide d'allumage de charbon, ou des liquides similaires, pour démarrer ou "relancer" un feu dans ce poêle. Gardez de tels liquides bien à l'écart du poêle quand il est en fonctionnement.
- Un détecteur de fumée en état de marche doit être installé dans la même pièce que ce produit.
- Ne débranchez pas le poêle si vous soupçonnez un dysfonctionnement.
- Arrêtez-le en passant sur OFF l'interrupteur Marche/Arrêt et contactez votre revendeur.
- Votre poêle nécessite un entretien et un nettoyage périodiques (voyez la section "ENTRETIEN"). Un manque d'entretien de votre poêle peut conduire à un fonctionnement incorrect et/ou dangereux.
- Débranchez le cordon d'alimentation avant toute intervention d'entretien. REMARQUE: Le passage de l'interrupteur Marche/Arrêt en position OFF ne coupe pas toute l'alimentation des composants électriques du poêle.
- N'essayez jamais de réparer ou de remplacer une quelconque partie du poêle sans les instructions pour le faire données dans ce manuel. Toutes les autres interventions doivent être faites par un technicien agréé.
- Ne faites pas fonctionner votre poêle avec le judas ouvert. La trémie ne distribuera pas de granulés dans

* Cet appareil est un poêle autonome, il n'est pas prévu d'être fixé à un type de conduit, ce n'est pas une chaudière.

- ces conditions et un problème de sécurité peut se développer avec des étincelles ou des fumées qui pénètrent dans la pièce.
- Laissez le poêle refroidir avant d'intervenir pour de l'entretien ou du nettoyage. Les cendres doivent être jetées dans un conteneur métallique avec un couvercle bien étanche. Le conteneur fermé avec les cendres sera placé sur une surface non-combustible ou au sol, bien à l'écart de tous matériaux combustibles, en attendant la mise au rebut finale.
- Le système d'évacuation doit être vérifié tous les deux mois durant la saison de chauffage pour chercher tout dépôt de cendre volante, suie ou créosote.
- Ne touchez pas les surfaces chaudes du poêle. Apprenez à tous les enfants les dangers d'un poêle à haute température. Les jeunes enfants doivent être surveillés quand ils sont dans la pièce où fonctionne le poêle.
- La trémie et le haut du poêle seront chauds durant le fonctionnement, donc vous devrez toujours utiliser un type de protection pour les mains durant le rechargement de votre poêle.
- Une protection contre les sautes de tension est nécessaire. Cette unité doit être branchée sur une prise secteur de 110 – 220 V en 60 Hz avec liaison de terre. N'utilisez pas de fiche adaptatrice ou n'inhibez pas la broche de terre. Ne faites pas passer le cordon d'alimentation par-dessous, devant ou par-dessus les piédonniers ou ne le coincez pas sous un meuble. Ce poêle ne fonctionnera pas durant une coupure du secteur. En cas de coupure secteur, contrôlez que le poêle n'émet pas de fumée et ouvrez une fenêtre s'il en entrerait dans la pièce.
- La porte d'alimentation doit rester bien fermée de façon étanche durant le fonctionnement.
- Ne bloquez jamais le flux d'air passant par les ouvertures de ventilation de l'appareil.
- Gardez les objets étrangers hors de la trémie.
- Les pièces en mouvement de ce poêle sont activées par des moteurs électriques à couple élevé. Gardez toutes les parties du corps à l'écart de la vis sans fin quand le poêle est branché dans une prise électrique. Ces pièces peuvent commencer à bouger à n'importe quel moment si le poêle est branché électriquement.
- Ne placez pas de vêtements ou d'autres articles inflammables sur ce poêle ou à proximité.
- Quand il est installé dans une maison mobile, le poêle doit être relié à la terre directement sur le châssis métallique et boulonné au plancher. AVERTISSEMENT – CET APPAREIL NE DOIT PAS ÊTRE INSTALLÉ DANS LA CHAMBRE À COUCHER (exigence HUD). ATTENTION - IL FAUT GARDER L'INTÉGRITÉ STRUCTURELLE DE LA MAISON PRÉFABRIQUÉE (PLANCHER, CLOISONS, PLAFOND/TOIT). Cet appareil n'est pas prévu pour une utilisation commerciale.

Golden Eagle



Manuel D'utilisation
Modèle 5520



Intertek

Certifié pour des installations aux
USA et au Canada

U.S. Environmental Protection Agency
Certifié conforme aux normes d'émissions de
2015 à particules.

Cet appareil n'est pas destiné à être utilisé
en tant que principale source de chaleur.



- Veuillez lire ce manuel en entier avant d'installer et d'utiliser cet appareil. Le fait de ne pas totalement assimiler ces instructions peut entraîner des dégâts matériels et des blessures corporelles, et même être fatal.
- Contactez les autorités locales en matière de construction et de sécurité à propos des restrictions et des exigences d'inspection en vigueur dans votre région.
- Conservez ces instructions.

United States Stove Company
227 Industrial Park
South Pittsburg, TN 37380
www.usstove.com
800-750-2723