



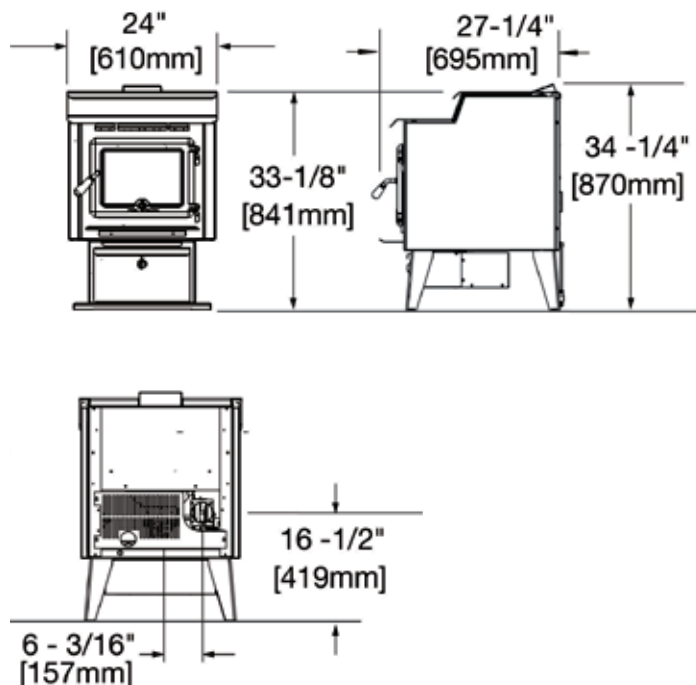
TN40 PELLET STOVE



TN40 PELLETT STOVE

Simple to operate and easy to maintain, True North pellet stoves are a clean burning, low emissions biofuel heating alternative for your home. Engineered for superior performance and durability, the TN40 is constructed from heavy gauge steel and features a wide firepot to deliver rich, full flames.

BTU Input Range	10,000 – 40,000
BTU EPA Listed	7,400 – 28,200
Efficiency (LHV)	78.9 %
Efficiency (B415)	72.2 %
Emissions	1.36 g/hr.
Hopper Capacity	up to 80 lb.



STANDARD FEATURES

- EPA Certified
- Easy access digital controls
- Simple 3-mode operation: automatic*, manual, hi/low*
 - * when equipped with a thermostat
- Convenient 5 level heat control
- Optional wall thermostat capable operation
- Automatic igniter
- Stainless steel burn pot liner
- Ash pan for easy disposal
- Easy opening hopper lid for convenient refueling
- Hopper lid safety shut-off switch
- Clean glass air-wash technology
- Mobile home approved
- Limited Warranty

DESIGN OPTIONS

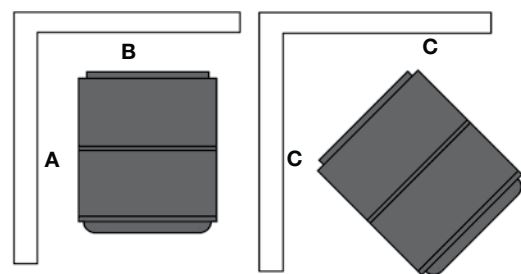
- Choice of leg model or pedestal model

PERFORMANCE OPTIONS

- Use PFI premium wood pellets.

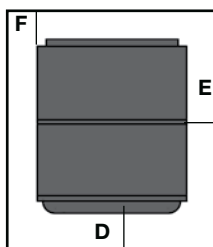


MINIMUM CLEARANCES TO COMBUSTIBLE MATERIALS



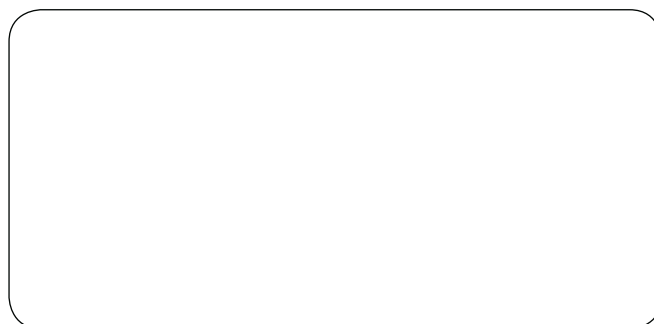
- A. Sidewall to Unit 6 in / 152 mm
- B. Backwall to Unit 3 in / 76 mm
- C. Corner to Unit 3 in / 76 mm

MINIMUM NON-COMBUSTIBLE FLOOR PROTECTION DISTANCES



- D. 6 in / 152 mm
- E. 2 in / 50 mm
- F. 3 in / 76 mm

Minimum Clearances from top of Hopper Lid to Ceiling = 50.75 in / 1.29 m



SKU: 33900003 – 12/18/10M – Printed in Canada

For reference only. Installations should be based on manuals and rating labels.