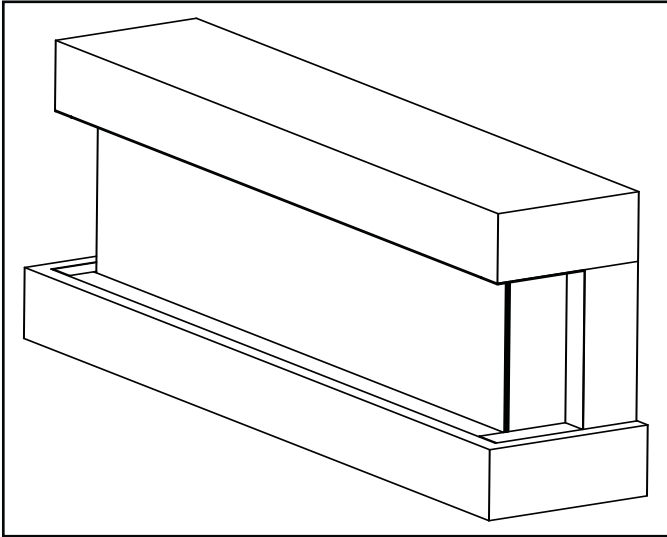


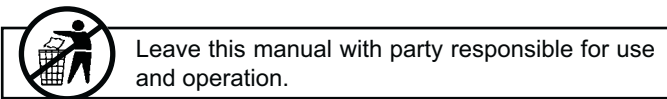
**Scion Trinity Floating Mantel**  
**SF-SCT43-MANTEL, SF-SCT55-MANTEL**  
**Model: SF-SCT43-BK, SF-SCT55-BK**  
**- Instructions -**



**Kit Components**

- Mantel Bottom\*
- Mantel Top\*
- Mantel Side Panel (2)
- Side Bracket (2)
- Bottom Bracket (2)
- Front Bracket (1)
- ST4\*12 Screws (6)
- ST4\*8 Screw (4)
- ST6\*50 Screw (8)
- M5\*10 Screw (2)
- M6\*16 Screws (8)
- 6\*30 Wooden Dowels (8)
- 2-inch(51mm) cap. Top Mounting Trim
- Masonry Anchor (8)
- Wall Mount Bracket (1)
- Toggle Bolt Anchor (8)

\* The Top and Bottom mantel pieces may be configured in either top or bottom positions depending on the desired look.



**NOTICE! DO NOT discard this manual.** Important service and maintenance instructions included.

The Floating Mantel is paint-ready with a white primer finish.

**Tools and Supplies Needed**

Before beginning the installation be sure that the following tools and building supplies are available.

- Tape measure
- Needle-nose pliers
- Hammer
- Gloves
- Level
- Magnetic Phillips screwdriver
- Safety glasses
- Flat blade screwdriver
- 1/2 in. drill bit for 3/16 diameter toggle bolts (applicable if installing on masonry walls)
- Masonry drill bit 5/16 in. (applicable if installing on masonry walls)

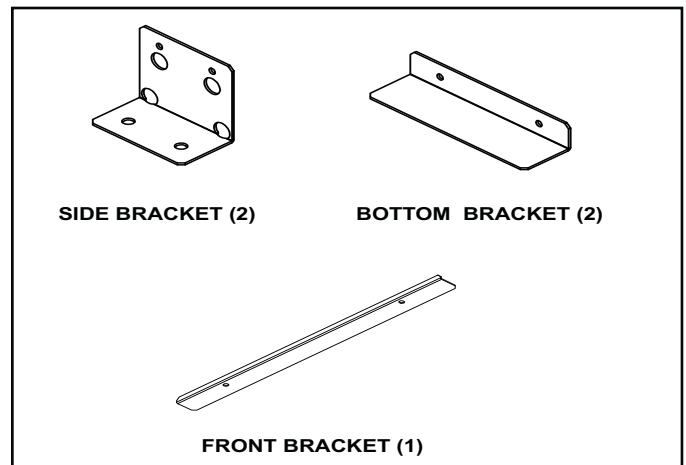


Figure 1 Bracket

**NOTICE:** The total weight of objects placed on the mantel shelf must not exceed 100 lbs (45 Kg).

Refer to the appliance installation instructions to prepare the appliance for the appropriate electrical wiring configuration. If using the available plug-in wiring kit a clearance hole may need to be cut into the appropriate mantel section.

### Appliance Location

If applicable, according to local electrical codes, the floating mantel is able to conceal a horizontally install wall receptacle behind the bottom mantel section. Refer to Figure 2 to assist in locating the final appliance and mantel location in reference to the receptacle and/or on the wall mounting bracket.

**Note:**

- The top of the floating mantel will be 24 inches (610mm) from the bottom edge of the wall mounting bracket.
- The mantel bottom will be able to conceal a horizontal wall receptacle if the wall mounting bracket's bottom edge is located in line with the receptacle's standard size faceplate. The outlet (including the standard size faceplate) must be within 24 inches (610 mm) for the SF-SCT43-BK and 28 inches (710 mm) for the SF-SCT55-BK, of the desired final appliance centerline.

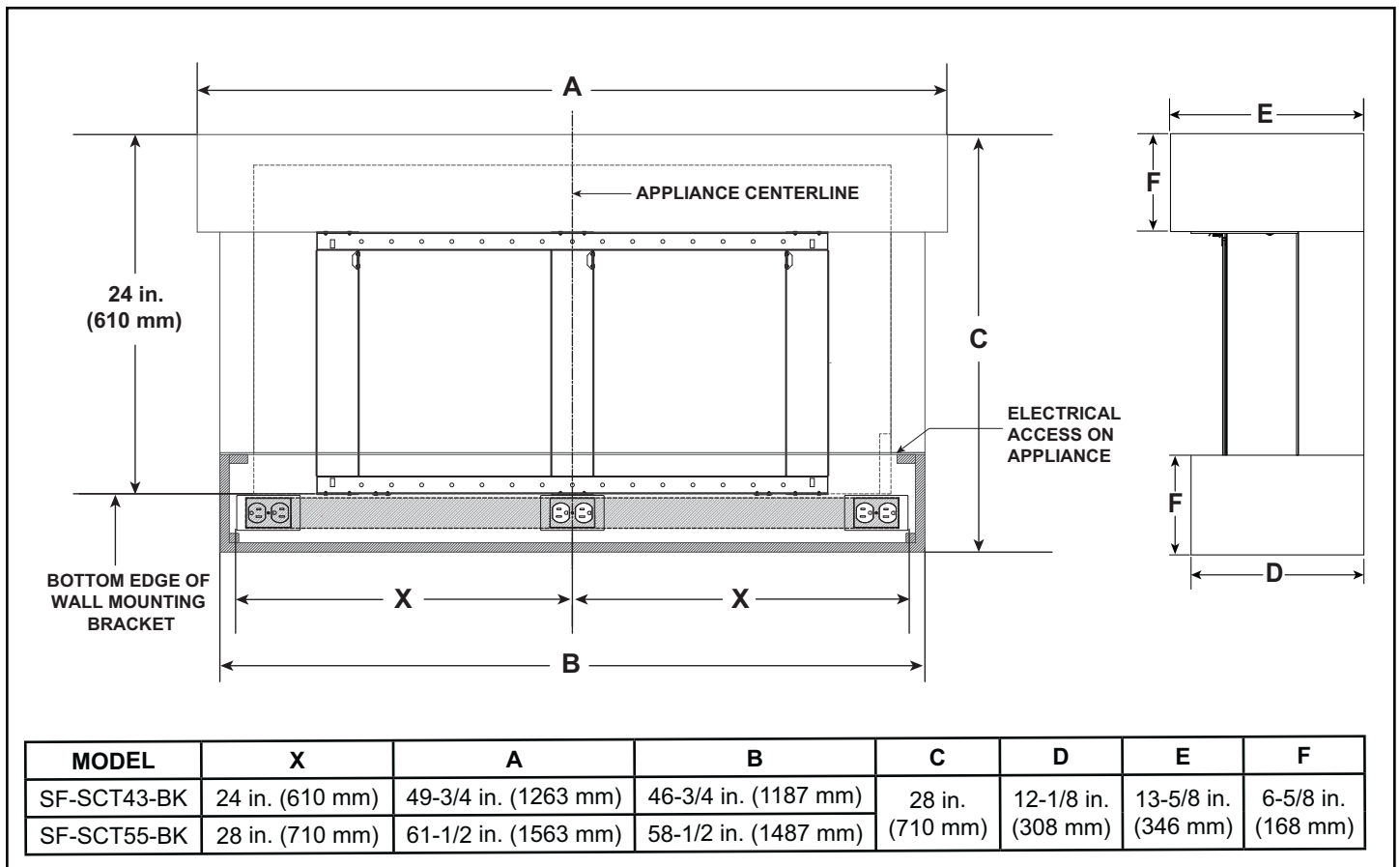


Figure 2 Mantel Dimensions and Receptacle Location

## Direct Wall Mounting with Wall Mounting Bracket

The wall mounting bracket can be installed on masonry walls such as those constructed of brick or concrete, or to framed walls constructed of wood or steel framing sheathed with gypsum wallboard, drywall, wood, etc. The method used to mount the mounting bracket is different between masonry walls and framed walls. Refer to the following sections for more detail on the method applicable to this installation.

### Framed Wall

- Locate the mounting bracket on the wall in the desired location of the appliance. Level the bracket, then mark its location on the wall, including a marking for each of the fastener holes in the bracket.
- For each of the marked mounting point locations, determine which points align with a structural framing member. A minimum of two (2) locations must be secured into a framing member.
- At the points where a wood or metal framing member exists, the ST6X50 screw can be installed directly into that structural member.
- For every mounting hole that does not align with a structural framing member, a wall board toggle-bolt anchor must be used. See Figure 3.



Figure 3 3/16 Toggle-Bolt Anchor

- The toggle-bolt anchors are provided to accommodate the required anchor points based on the appliance. Use of toggle bolt anchors requires drywall thickness of minimum 1/2 in. and drilled holes size of 1/2 in. diameter.
- Insert the bolt through the front side of the mounting bracket and thread the toggle onto it from the rear of the bracket. See Figure 4.
- Fold the toggle wings flush against the bolt and push them through a drilled hole until the toggle wings expand open on the other side. See Figure 5.
- Pull back on the bolt and tighten. See Figure 5.

**Note:** This product cannot be installed on a wall sheathed with drywall less than 1/2 in. thick, unless all six (6) anchor points in the mounting bracket align with structural framing members.

**NOTICE:** Minimum eight (8) screws and/or toggle bolt anchors are required for wall mounting.

**WARNING! Risk of Damage or Personal Injury!** Allowable pull-out and shear strength are 25% of ultimate values or less, as required by building authorities.



Figure 4 Toggle Bolt Installation through Mounting Bracket



Figure 5 Installing Anchors in Hollow Wall

## Masonry Wall

- Locate the mounting bracket on the wall in the desired location of the appliance. Level the bracket, then mark its location on the wall, including a marking for each of the fastener holes in the bracket.

**NOTICE:** Minimum six (6) screws and anchors are required for MASONRY wall mounting.

- In the marked locations, drill 5/16 in. diameter x 2 in. deep holes. See Figure 6.
- Insert the provided wall anchors into the holes.
- Gently tap the anchors with a hammer until they are flush with the wall surface.
- With mounting hooks pointed up, attach the bracket to the masonry anchors with ST6X50 screws. See Figure 7.

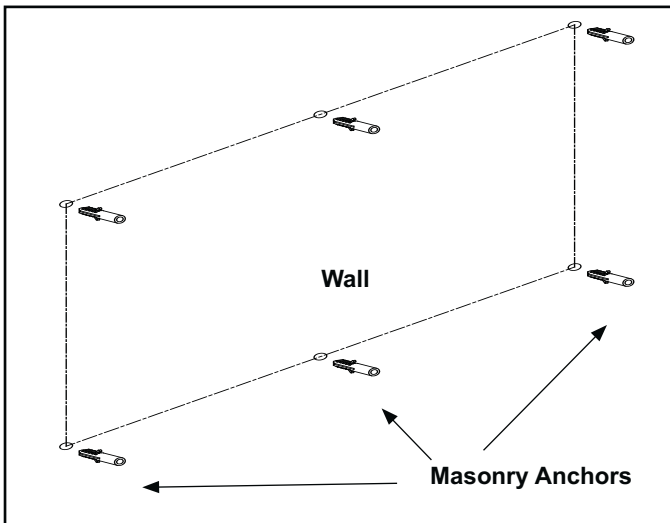


Figure 6 Masonry Anchor Placement

**WARNING! Risk of Damage or Personal Injury!** Do not use supplied masonry anchors on hollow walls, sheathed with wood, gypsum wallboard, drywall or other materials.

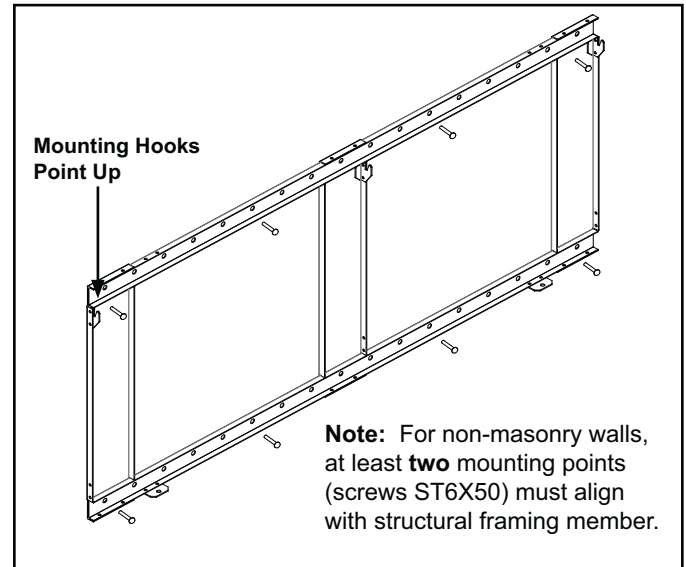


Figure 7 Bracket Attachment

## Appliance Installation

1. Hang appliance on the mounting bracket.
2. Align the slots on the back of the appliance with the hooks on the top two corners of the bracket.
3. Hang the appliance and pull down to ensure the hooks are fully engaged. See Figure 8.
4. Secure the appliance to the bracket with two M5X10 screws. See Figure 8.

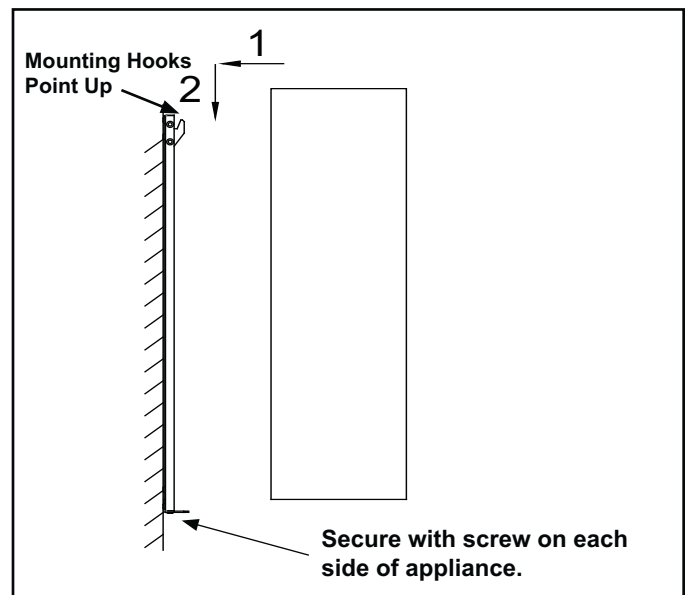


Figure 8 Attaching Appliance to Bracket

## Mantel Installation

1. Remove flat side cover-plates by removing seven (7) screws on each side. See Figure 9.

Re-use the screws removed from the cover-plates to install the 2-inch (51mm) top mounting trim pieces, provided with the mantel kit, on right and left side of the appliance. See Figure 9. Continue by installing the rear and bottom 2-inch (51mm) trim pieces provided with the appliance.

**Note:** The top 2-inch trim has two extra holes for attaching the top mantel, as shown in Figure 9.

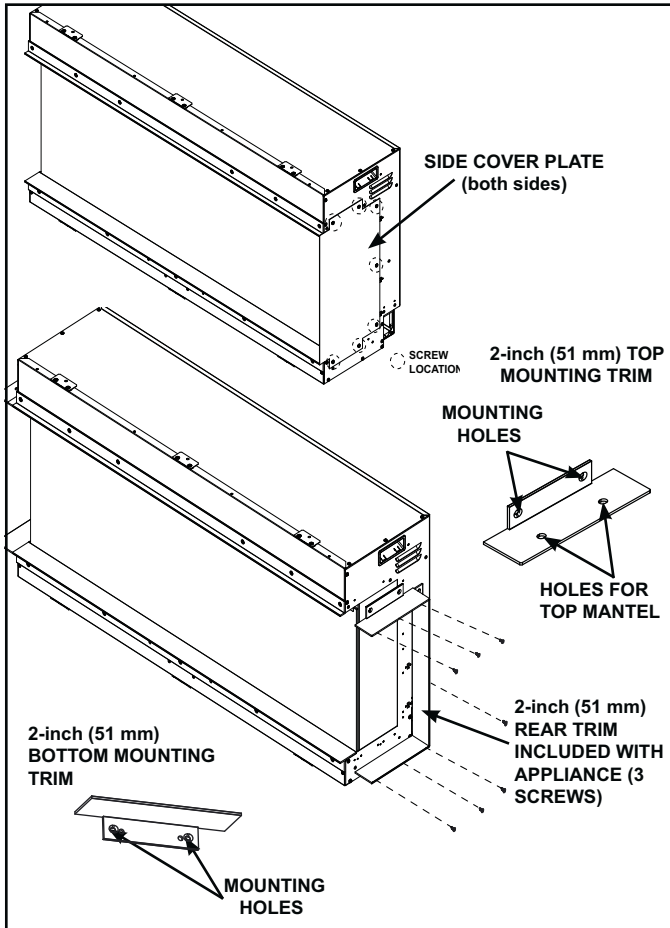


Figure 9

2. Attach the two bottom brackets, one (1) on each side to both sides of the appliance using four (4) ST4\*12 screws. See Figure 10.

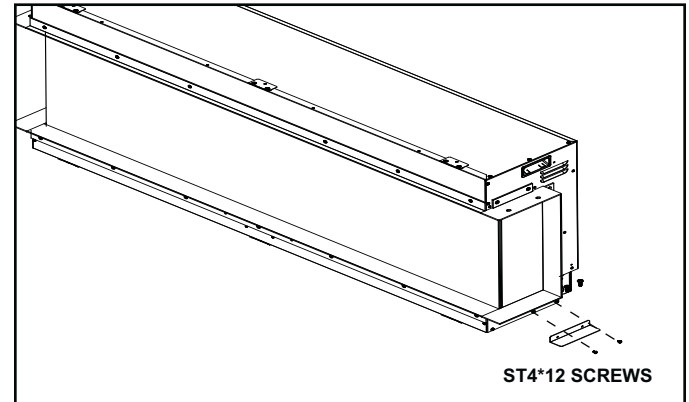


Figure 10

3. Attach the front bracket to the appliance using two (2) ST4\*12 screws. See Figure 11.

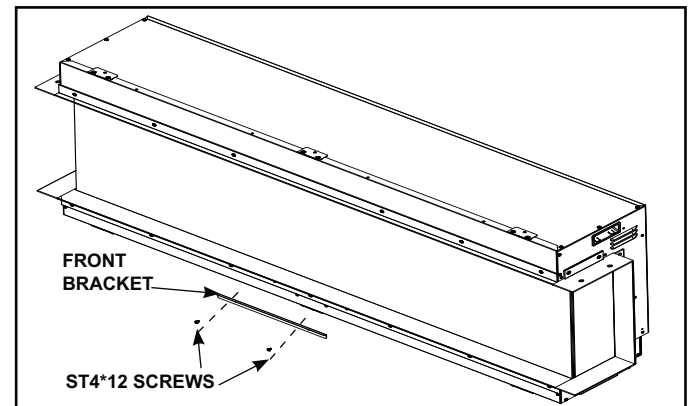


Figure 11

4. Position the bottom mantel between the bottom two-inch (51 mm) trim and the bottom brackets and slide into place. See Figure 12.

**Note:** The mantel top and bottom are reversible and can be configured to your individual preference.

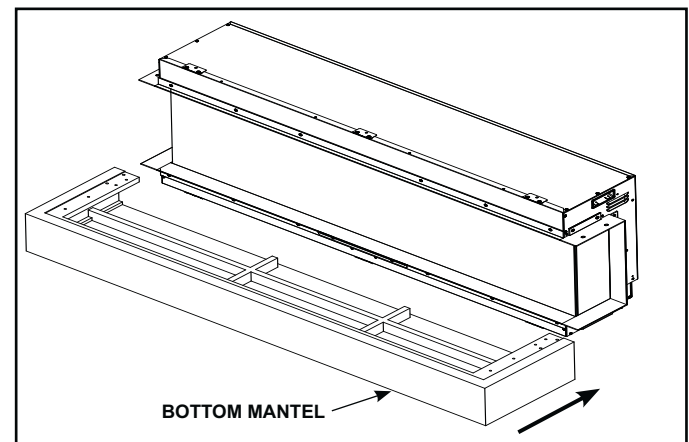


Figure 12

5. Attach two (2) side brackets to the rear sides of the appliance using four (4) ST4\*8 screws. See Figure 13.

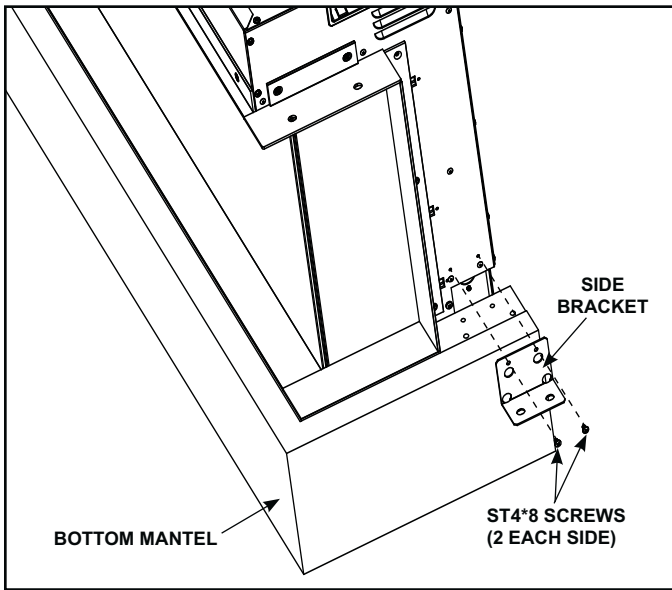


Figure 13

7. Insert the four (4) wooden dowels into the open holes of the bottom mantel. See Figure 15.

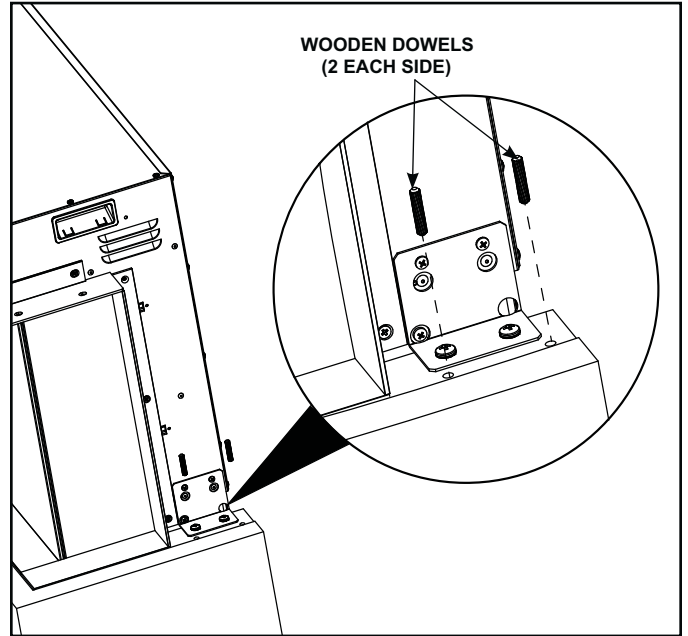


Figure 15

6. Secure the bottom mantel to the side brackets using two (2) M6\*16 screws. See Figure 14.

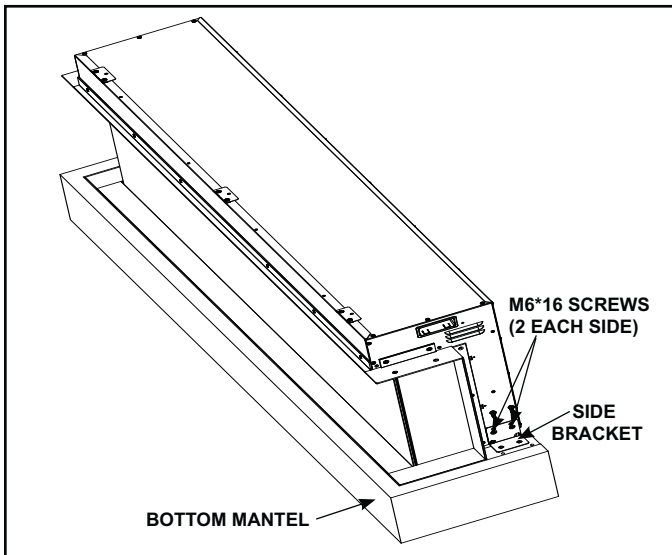


Figure 14

8. Attach the mantel side panels to the bottom mantel by aligning the holes in the mantel sides with the dowels. See Figure 16.

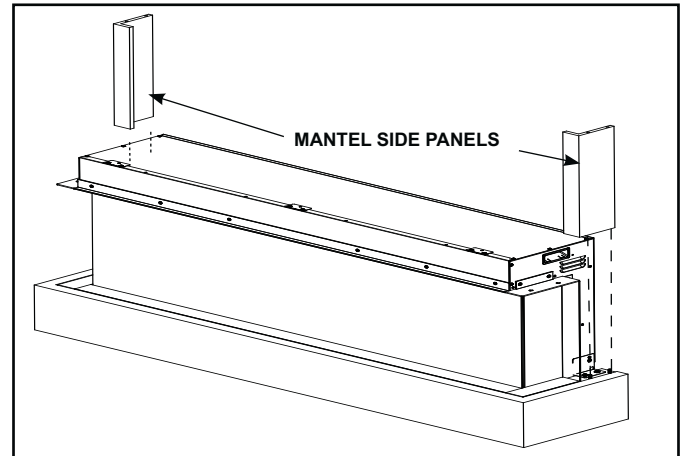


Figure 16

9. Insert the two (2) wooden dowels on each side into the open holes in the top of the mantel side panels. See Figure 17.

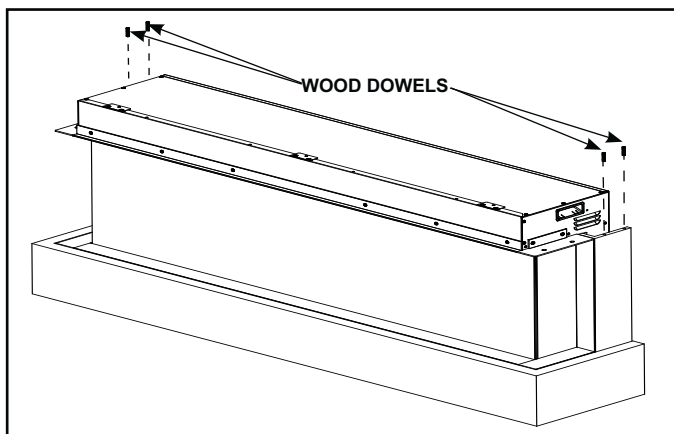


Figure 17

10. Attach the mantel top to the mantel side panels by aligning the holes in the mantel top with the dowels. See Figure 18.

**Note:** The mantel top and bottom are reversible and can be configured to your individual preference.

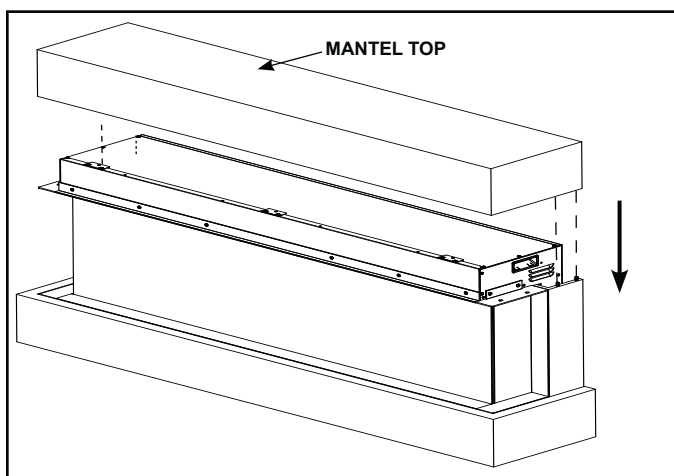


Figure 18

11. Secure the top mantel to the side brackets using two (2) M6\*16 screws on each side. See Figure 19.

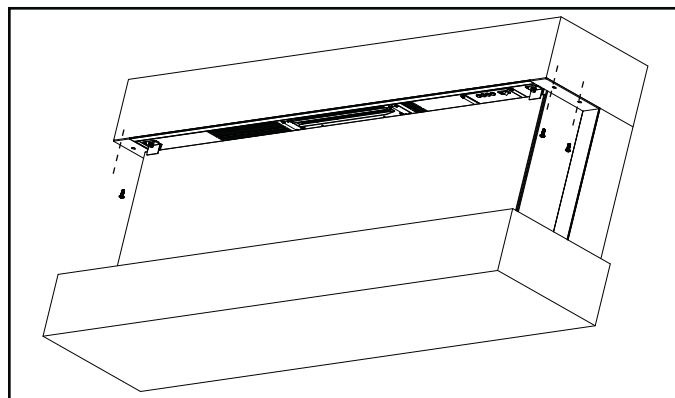


Figure 19

The total weight of objects sitting on the mantel shelf must not exceed 100 lbs (45 Kg).

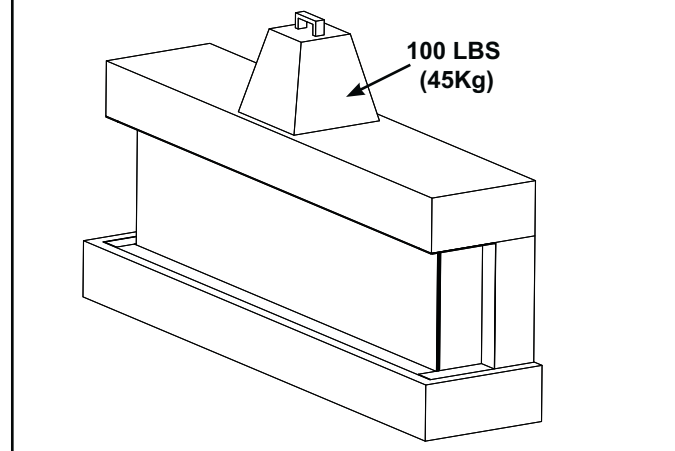


Figure 20 Wall Mount Weight Capacity