



Lynwood 456 Wood Fireplace

LYNWOOD SERIES
WOOD & ELECTRIC FIREPLACES

SIERRA FLAME

W76 WOOD

Emission Rate (G/Hr)	1.35
Heat Output (btu/hr)	13,741 – 44,772
Actual Measured Efficiency(CSA B415.1)	70.2
Certification EPA	2020
Type	Non Catalytic
Maximal wood load (kg)	10.5
Maximal wood load (lbs)	23.14
Maximal log size	21 inches
Combustion chamber size (dm ³)	44.4
Combustion chamber size (cu ft)	1.57
Total Weight (kg)	217
Total Weight (lbs)	478.4

EPA 2020 Approved!!



Performances

Values are as measured per test method, except for the recommended heating area, firebox volume, maximum burn time and maximum heat output.

Model	Lynwood W76
Type	Solid Fuel Room Heater
Type of Combustion	Non-catalytic
Fuel Type	Dry Cordwood (15% moisture)
Main Material	Cast Iron
Firebox Isolation	Vermiculite
Flue Exit	6" (150 mm) Back to top connector
Recommended Heating Area	450 to 2,000 ft. ² (42 to 185 m ²)
Nominal Firebox Volume	1.55 ft. ³ (0.044 m ³)
Maximum Burn Time ¹	14 hours
Maximum Heat Output (dry cordwood) ²	57,700 BTU/h (16.91 kW)
Overall Heat Output Rate (min. to max.) ^{2,3}	13,784 BTU/h to 57,684 BTU/h (4.04 kW to 16.91 kW)
Average Overall Efficiency ³	71% (HHV) ⁴ 76% (LHV) ⁵
Optimum Efficiency ⁵	78%
Average Particulate Emissions Rate ⁷	1.81 g/h (EPA/CSA B415.1-10)
Average CO ⁵	120 g/h

¹ Maximum Burn Time will vary depending on design of home, climate, wood type and operation.

² Heat Out Range results are determined during specific emissions test established by the EPA.

³ As measured per CSA B415. 1-10 stack loss method. The Maximum Heat Output value is representative of a more frequent re-fueling cycle than specified.

⁴ Higher Heating Value of the fuel is obtained per CSA B415. 1-10 test method.

⁵ Lower Heating Value of the fuel is obtained per CSA B415. 1-10 test method.

⁶ Optimum overall efficiency at a specific burn rate (LHV).

⁷ This appliance is officially tested and certified by an independent agency. Particulate Emissions rate is obtained using EPA Test Method.

⁸ Carbon Monoxide Emissions rate results from Test Method CSA B415. 1-10.



Lynwood W76 Wood Fireplace

E50 & E70 ELECTRIC

- Real Cast Iron Construction.
Available in two sizes: 50" and 70"
- Rated for indoor applications only
- State of the art Fire and Ice flame set- with a simple click of the remote change the flame from traditional colors such as orange to contemporary colors such as rose, purple and violet and icy blue color. A spectrum of colors.
- Two Flame sets and canopy lighting in 13 color themes, creates the illusion of a real fire
- Flame effect can be used with or without heat
- On demand heat with two heat settings.
Thermostat and Hardwire Ready
- Produces up to 4800 BTU of heat, enough to heat up 500 sq. ft
- Lower heat vent, allows the heat to flow directly to floor level
- Includes a multi-function remote
- Fan Noise: 43dB



E50



E70

E50 NA	Cast Iron sides top and front	\$1,799
E70 NA	Cast Iron sides top and front	\$2,149

Tech Specs

		E50	E70
Volts		120	120
Amps		12.5	12.5
Watts		1500	1500
Heater	HIGH	1500 Watts	1500 Watts
	LOW	75 Watts	75 Watts
No Heater		19 Watts	19 Watts
Lamps	TYPE	LED	LED
	WATTS		
	TOTAL WATTS	19 Watts	19 Watts
Rotor Motor		1 at 5 watts	1 at 5 watts
Height, Width, Depth		28 1/4" x 23 1/8" x 17 1/2"	28 1/4" x 27 7/8" x 17 1/2"
Glass Viewing Opening			
Glass Size		13 1/8" x 16 3/8"	13 1/8" X 21 1/4"
Shipping Size			
Shipping Weight			
Approx. Heating Area		400 sq ft	400 sq ft

Media Included

Provided media include: 10 piece realistic birch like logs, 2 colors of fireglass, two bags of vermiculite in black and white colors. **Additional media is available for purchase for this series*



DESIGN-MEDIA-BIRCH-10PCE

Lynwood E70 electric fireplace
shown with the Oak log media



MEDIA

(For E50 & E70 only)

FIRE GLASS

Our decorative fire glass media is a beautiful addition to your fireplace. Turn your fireplace into a expressive work of art by simply adding our decorative fire glass media. Our fire glass adds a distinctly modern feel to your gas fireplace - mix colors and textures for a unique appearance.

Our decorative fire glass is tempered and will not melt or degrade, some discoloration is normal on glass that is placed directly on the flame. Always wear protective gloves when handling fire glass media.

One 5lb container of media will cover 1 square foot.



AMSF-GLASS -01



AMSF-GLASS -02



AMSF-GLASS -03



AMSF-GLASS -04



AMSF-GLASS -05



AMSF-GLASS -06



AMSF-GLASS -07



AMSF-GLASS -08



AMSF-GLASS -09



AMSF-GLASS -10



AMSF-GLASS -11



AMSF-GLASS -12



AMSF-GLASS -13



AMSF-GLASS -14

DESIGN-MEDIA-BIRCH-10PCE

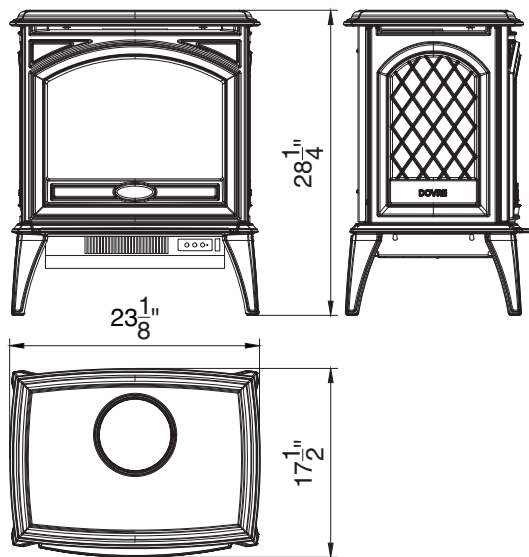


DESIGN-MEDIA-OAK-10PCE

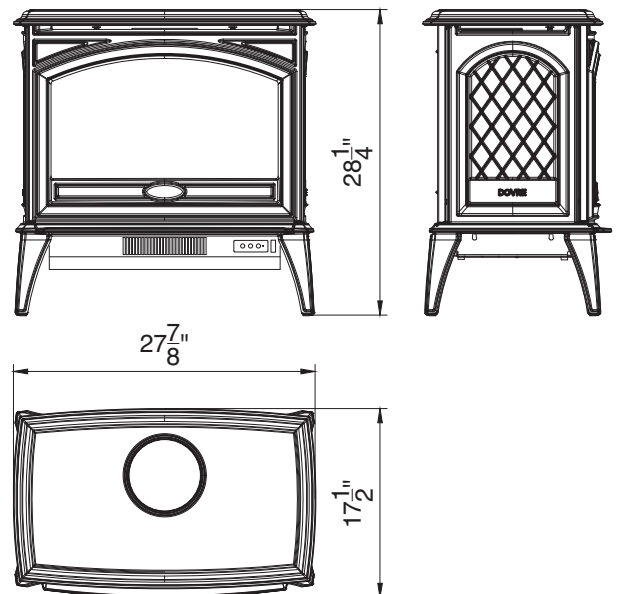




Lynwood E50 electric fireplace shown with the Oak log media



E50



E70



Lynwood E50 electric fireplace
shown with the Birch log media

SF-LYNWOOD-VERT DEC 2019

Distributed By:

We reserve the right to update products, specifications and dimensions are subject to change. Please refer to the product manual to verify measurements and clearance requirements. All local building codes must be followed.

SIERRA FLAME

Visit our online showrooms at:

www.sierraflame.com