



Ultimate  *PelletPipe*™

Specialized Hearth Venting Solutions

FUEL TYPE:

Wood Pellet

Ultimate PelletPipe™

Specialized Hearth Venting Solutions

Ultimate Pellet Pipe is a premiere venting system designed with the installer in mind. Fast, sealed and secure assembly coupled with laser-welded seams and smooth joint connections create a pipe system that is sleek and beautiful.

No need for silicone sealant with Ultimate Pellet Pipe. The gasket design seals the pipe tight, eliminating the need for silicone at the seams. Offer your customers a superior pellet venting solution, Ultimate Pellet Pipe.

Features of UPP:

- Easy to assemble
- Silicone gasket sealed
- Laser-welded seams
- Smooth joint connections
- 360° Lock-Tab secure rotation
- Lock-Tab allows for easy dismantling for inspection and cleaning
- 300 Series stainless steel inner, galvalume outer
- Complete offering of painted pipe, fittings, and components
- 1" Clearance to combustibles



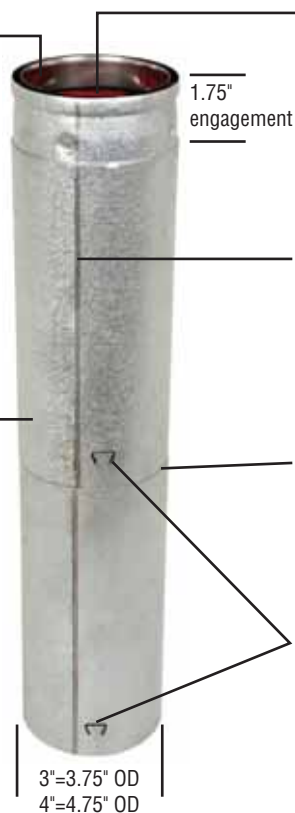
The Ultimate Hearth Solution for Pellet Stove Venting

Stainless Steel and Galvalume Construction

The Ultimate Pellet Pipe's inner pipe is made of 300 series stainless steel which provides exceptional corrosion resistance. The outer pipe is manufactured with galvalume steel, for superior protection against harsh outdoor elements.

High Temperature Paint or Galvalume Exterior

Ultimate Pellet Pipe is available finished in a matte black or unpainted galvalume. Our high temperature matte black paint will withstand temperatures up to 1200° F and look beautiful for years.



Gasket Technology

Say goodbye to messy silicone to seal those joints. Ultimate Pellet Pipe's superior silicone gasket technology seals the system and eliminates fly ash from escaping. Easy to assemble. Easy to take apart for inspection and cleaning. Ultimate Pellet Pipe's silicone gasket technology has been field proven for more than 15 years.

Laser-Welded Seams

Both the inner and outer pipes are laser-welded, creating a smooth seam and consistently round pipe. No seam, tight seal, no problem!

Smooth Joint Connections

Our unique end forming process creates a connection joint that provides a smooth, clean profile. The gasket within the pipe seals the connection tight, providing a superior, leak-free connection.

Lock-Tab™ Security

Ultimate Pellet Pipe features a female end Lock-Tab system. When engaged, the Lock-Tab will securely hold pipe in place, allowing 360° rotation. This unique feature is easy to engage and disengage. Fast, easy, and secure!



Model UPP has been tested and listed by Underwriters Laboratories Inc. in accordance with:

US Standards: UL641: Type L low temperature venting systems | UL103 (applicable portions of): The standard for residential type and building heating appliance chimneys

Canadian Standards: ULC-S609: Low temperature type L vents | ULC/ORD-C441: Other recognized document for pellet vents

US Standard for Chimneys, Fireplaces, Vents and Solid Fuel Burning Appliances, NFPA-211

Canadian Installation Code for Solid Fuel Burning Appliances and Equipment, CSA-B365

The UPP system is rated for flue temperatures up to 570°F/ 300°C and is backed by our Smart Choice Warranty

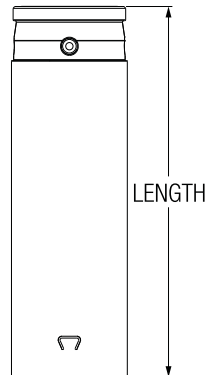


PIPE LENGTHS:

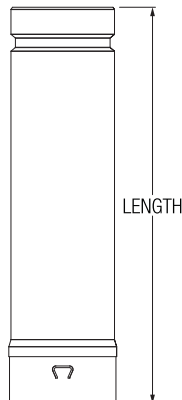


- Available in lengths of 6", 12", 18", 24", 36" and 60"
- 1 3/4" overlap at joints
- Painted black or unpainted

Item Description	3" Diameter		4" Diameter	
	Product Code	Part No.	Product Code	Part No.
6" Length	823000	3UPP-6	824000	4UPP-6
6" Length – Black	823000B	3UPP-6B	824000B	4UPP-6B
12" Length	823001	3UPP-12	824001	4UPP-12
12" Length – Black	823001B	3UPP-12B	824001B	4UPP-12B
18" Length	823002	3UPP-18	824002	4UPP-18
18" Length – Black	823002B	3UPP-18B	824002B	4UPP-18B
24" Length	823003	3UPP-24	824003	4UPP-24
24" Length – Black	823003B	3UPP-24B	824003B	4UPP-24B
36" Length	823004	3UPP-36	824004	4UPP-36
36" Length – Black	823004B	3UPP-36B	824004B	4UPP-36B
60" Length	823005	3UPP-60	824005	4UPP-60
60" Length – Black	823005B	3UPP-60B	824005B	4UPP-60B



ADJUSTABLE LENGTHS:

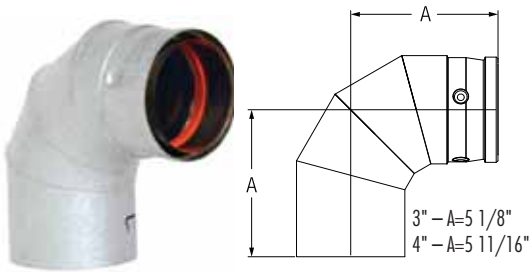


- Eliminates the need to field cut
- Adjustable up to 9 1/2" by simply sliding over a UPP fixed length
- Features a factory installed O-ring
- Painted black or unpainted

Item Description	3" Diameter		4" Diameter	
	Product Code	Part No.	Product Code	Part No.
12" Adj. Length	823007	3UPP-12A	824007	4UPP-12A
12" Adj. Length – Black	823007B	3UPP-12AB	824007B	4UPP-12AB

ELBOWS:

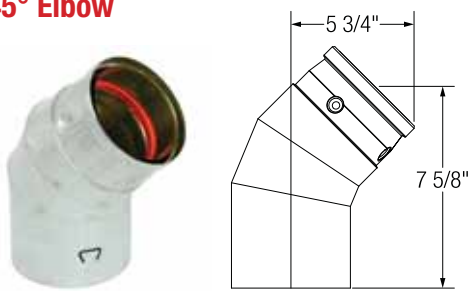
90° Elbow



- Used as an offset around an obstruction
- Painted black or unpainted

Item Description	3" Diameter		4" Diameter	
	Product Code	Part No.	Product Code	Part No.
90° Elbow	823006	3UPP-90E	824006	4UPP-90E
90° Elbow – Black	823006B	3UPP-90EB	824006B	4UPP-90EB

45° Elbow

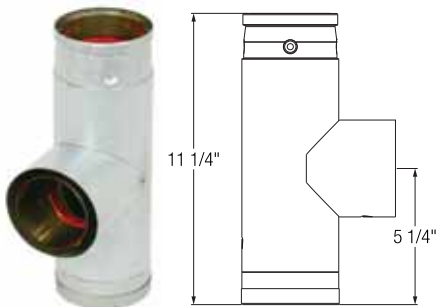


- Used as an offset around an obstruction
- Can be used as a termination when accompanied by a screen cap (UPP-45T)
- Painted black or unpainted

Item Description	3" Diameter		4" Diameter	
	Product Code	Part No.	Product Code	Part No.
45° Elbow	823008	3UPP-45E	824008	4UPP-45E
45° Elbow – Black	823008B	3UPP-45EB	824008B	4UPP-45EB

TEES:

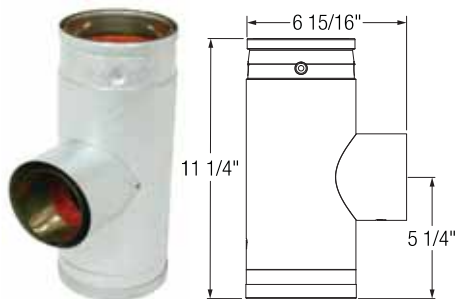
Tee with Tee Cap



- Used to transition from horizontal to vertical orientation
- Provides easy access for inspection and maintenance
- Includes Tee Cap
- Painted black or unpainted

Item Description	3" Diameter		4" Diameter	
	Product Code	Part No.	Product Code	Part No.
Tee & Tee Cap	823009	3UPP-T	824009	4UPP-T
Tee & Tee Cap – Black	823009B	3UPP-TB	824009B	4UPP-TB
Tee & Tee Cap w/Appliance Adapter	823022	3UPP-TA	824022	4UPP-TA
Tee & Tee Cap w/Appliance Adapter – Black	823022B	3UPP-TAB	824022B	4UPP-TAB

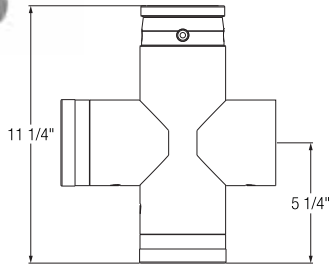
Increaser Tee with Tee Cap



- Used to transition from horizontal to vertical orientation
- Converts a 3" appliance to a 4" UPP system
- Provides easy access for inspection and maintenance
- Includes Tee Cap
- Painted black or unpainted

Item Description	3" Diameter	
	Product Code	Part No.
Increaser Tee w/Tee Cap 3" to 4"	823023	3UPP-IT
Increaser Tee w/Tee Cap 3" to 4" – Black	823023B	3UPP-ITB

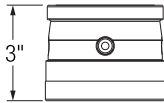
Double Tee w/Tee Cap



- Used to transition from horizontal to vertical orientation
- Allows horizontal or vertical cleaning access and inspection
- Includes 2 Tee Caps
- Painted black or unpainted

Item Description	3" Diameter		4" Diameter	
	Product Code	Part No.	Product Code	Part No.
Double Tee w/Tee Cap	823018	3UPP-DT	824018	4UPP-DT
Double Tee w/Tee Cap – Black	823018B	3UPP-DTB	824018B	4UPP-DTB

Tee Cap

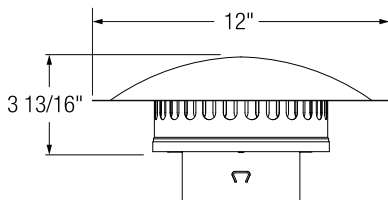


- Use as a replacement Tee Cap

Item Description	3" Diameter		4" Diameter	
	Product Code	Part No.	Product Code	Part No.
Tee Cap	823016	3UPP-TC	824016	4UPP-TC
Tee Cap – Black	823016B	3UPP-TCB	824016B	4UPP-TCB

TOPS, SUPPORTS, AND FIRESTOPS:

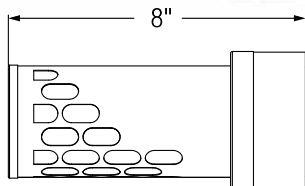
Vertical Termination Cap



- Vent termination for a vertical, through-the-roof installation
- Designed to prevent rain and snow from entering the vent

Item Description	3" Diameter		4" Diameter	
	Product Code	Part No.	Product Code	Part No.
Vertical Termination	823014	3UPP-VC	824014	4UPP-VC

Horizontal Termination



- Vent termination for a horizontal through-the-wall installation

Item Description	3" Diameter		4" Diameter	
	Product Code	Part No.	Product Code	Part No.
Horizontal Termination	823020	3UPP-HC	824020	4UPP-HC

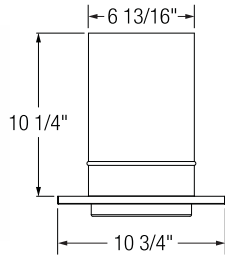
Screen Cap



- Must be used in conjunction with a 45° Elbow to serve as a horizontal termination (UPP-HC)

Item Description	3" Diameter		4" Diameter	
	Product Code	Part No.	Product Code	Part No.
Screen Cap	823034	3UPP-45T	824034	4UPP-45T

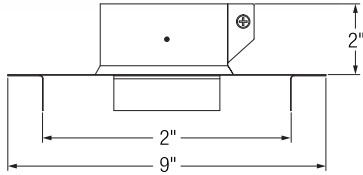
Ceiling Support



- Used to support UPP from below the ceiling joist
- Maintains 1" clearance to combustibles
- Trim plate is painted black

Item Description	3" Diameter		4" Diameter	
	Product Code	Part No.	Product Code	Part No.
Ceiling Support – Black	823012	3UPP-CSB	824012	4UPP-CSB

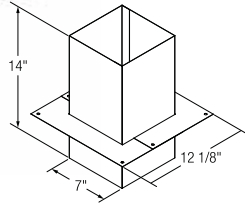
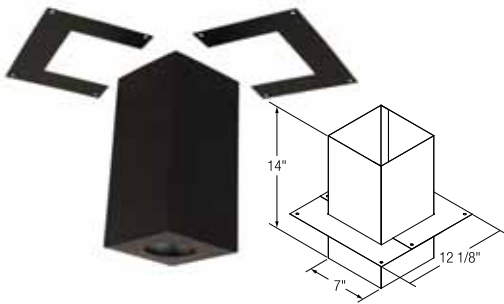
Ceiling Support/Firestop



- Used to support UPP from above the ceiling joist
- Maintains 1" clearance to combustibles

Item Description	3" Diameter		4" Diameter	
	Product Code	Part No.	Product Code	Part No.
Ceiling Support/Firestop	823047	3UPP-FCS	824047	4UPP-FCS

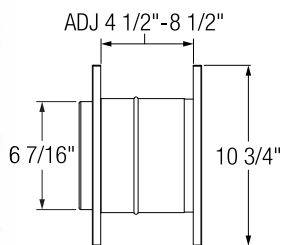
Cathedral Ceiling Support



- Used to support UPP in a cathedral or sloped ceiling installation
- Maintains clearance to combustibles
- Painted black

Item Description	3" Diameter		4" Diameter	
	Product Code	Part No.	Product Code	Part No.
Cathedral Ceiling Support	823031	3UPP-CCS	824031	4UPP-CCS

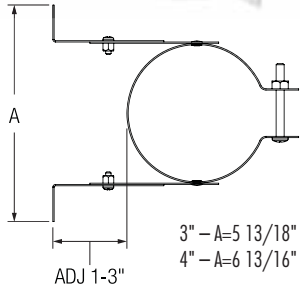
Wall Thimble



- Used in a combustible through-the-wall installations
- Maintains clearance to combustibles
- Adjustable for 4 ½" to 8 ½" thick walls
- Painted black

Item Description	3" Diameter		4" Diameter	
	Product Code	Part No.	Product Code	Part No.
Wall Thimble – Black	823013	3UPP-WTB	824013	4UPP-WTB

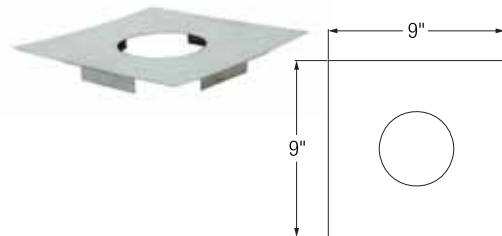
Adjustable Wall Band



- Stabilize and support a vertical or horizontal run of pipe
- Clearance distance adjustable from 1" to 3"

Item Description	3" Diameter		4" Diameter	
	Product Code	Part No.	Product Code	Part No.
Adjustable Wall Band	823019	3UPP-WB	824019	4UPP-WB

Firestop

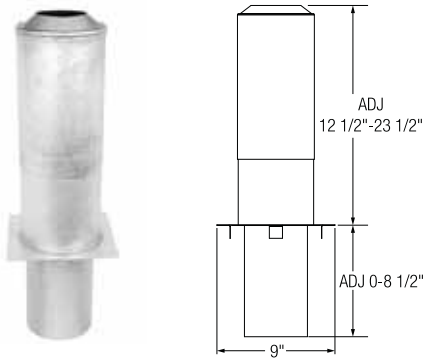


- Used to protect combustible materials where UPP passes through a ceiling
- Can also be used at the soffit level in an exterior installation

Item Description	3" Diameter		4" Diameter	
	Product Code	Part No.	Product Code	Part No.
Firestop	823011	3UPP-FS	824011	4UPP-FS

PELLET PIPE SHIELDS:

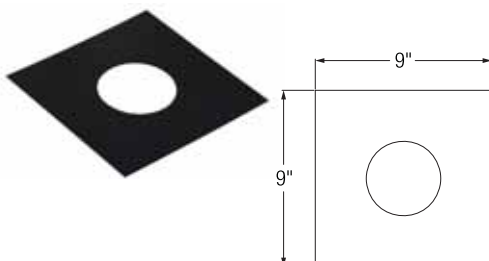
Attic Insulation Shield



- Used in the attic to guard against the hazard of blown-in or blanket insulation
- Maintains a 1" clearance to combustibles
- Adjust up to 23 1/2"
- Includes a drop-down joist shield to protect the joist area

Item Description	3" Diameter		4" Diameter	
	Product Code	Part No.	Product Code	Part No.
Attic Insulation Shield	823010	3UPP-AIS	824010	4UPP-AIS

Trim Collar

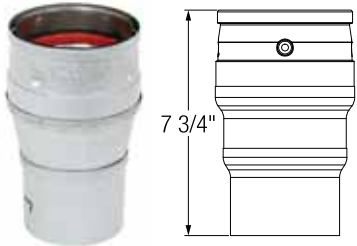


- Finishing plate used at the ceiling level or on a sidewall
- Maintains clearance to combustibles
- Painted black

Item Description	3" Diameter		4" Diameter	
	Product Code	Part No.	Product Code	Part No.
Trim Plate – Black	823032	3UPP-TP	824032	4UPP-TP

ADAPTERS AND CLEAN-OUTS:

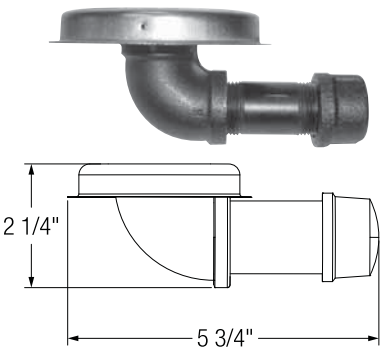
3" to 4" Increaser



- Transition from a 3" to a 4" UPP
- Painted black or unpainted

Item Description	Product Code	Part No.
3" to 4" Increaser	823025	UPP-I4
3" to 4" Increaser – Black	823025B	UPP-I4B

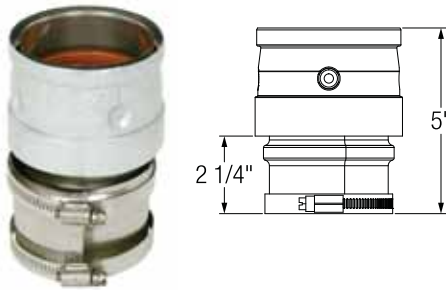
Vacuum Clean-Out Cap



- Replaces the existing Tee Cap
- Used to clean the vent with no mess

Item Description	3" Diameter		4" Diameter	
	Product Code	Part No.	Product Code	Part No.
Vacuum Clean-Out Cap	823024	3UPP-VCC	824024	4UPP-VCC

Appliance Adapter



- Attach to the appliance for connection to UPP

Item Description	3" Diameter		4" Diameter	
	Product Code	Part No.	Product Code	Part No.
Appliance Adapter	823017	3UPP-AA	824017	4UPP-AA
Appliance Adapter – Black	823017B	3UPP-AAB	824017B	4UPP-AAB

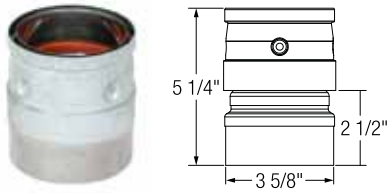
Masonry Adapter



- Adapt UPP to a masonry chimney

Item Description	3" Diameter		4" Diameter	
	Product Code	Part No.	Product Code	Part No.
Masonry Adapter	823033	3UPP-MA	824033	4UPP-MA

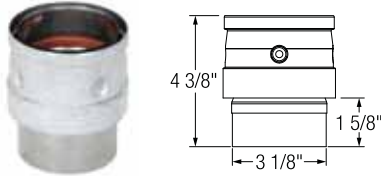
Harman Pipe Adapter – Outside



- Harman appliance outlet for easy pipe connection

Item Description	Product Code	Part No.
Harman Pipe Adapter Outside	823028	3UPP-HAA1

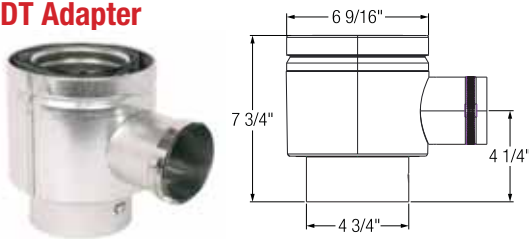
Harman Pipe Adapter – Inside



- Attaches a Harman appliance to UPP

Item Description	Product Code	Part No.
Harman Pipe Adapter Inside	823029	3UPP-HAA2

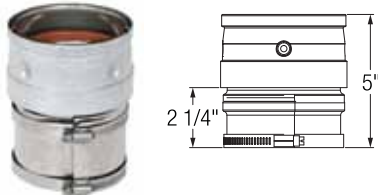
DT Adapter



- Transition from UPP pipe to Direct-Temp direct vent system

Item Description	Product Code	Part No.
Direct-Temp Adapter	824037	4UPP-DTA

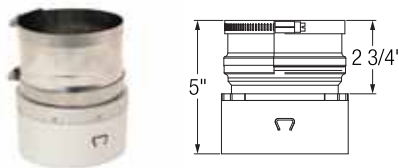
Flex Connector



- Transition from a flexible stainless steel liner to UPP

Item Description	Product Code	Part No.
4" Flex Connector	824026	4UPP-FC

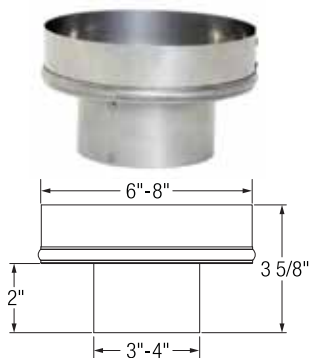
Reverse Flex Connector



- Transition from UPP to a flexible stainless steel liner

Item Description	Product Code	Part No.
4" Reverse Flex Connector	824027	4UPP-FCR

Chimney Adapter

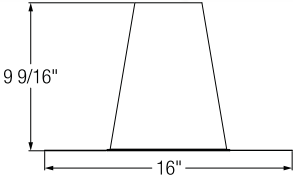


- Transition from UPP to a Class A insulated chimney

Item Description	3" Diameter		4" Diameter	
	Product Code	Part No.	Product Code	Part No.
6" SCS Chimney Adapter	823038	3UPP-CA6	824038	4UPP-CA6
8" SCS Chimney Adapter	823039	3UPP-CA8	824039	4UPP-CA8

PELLET PIPE FLASHINGS:

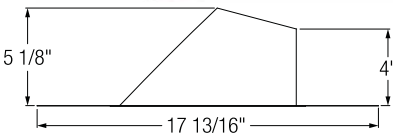
Tall Cone Flashing



- Weatherproof the installation through a flat roof

Item Description	3" Diameter		4" Diameter	
	Product Code	Part No.	Product Code	Part No.
Tall Cone Flashing	823015	3UPP-TF	824015	4UPP-TF

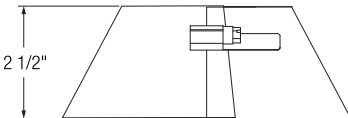
Adjustable Flashing



- Weatherproof the installation through a pitched roof
- For pitches of 0/12 to 6/12 and pitches of 6/12 to 12/12

Item Description	3" Diameter		4" Diameter	
	Product Code	Part No.	Product Code	Part No.
Adj. Flashing 1/12 - 6/12	823035	3UPP-F6	824035	4UPP-F6
Adj. Flashing 6/12 - 12/12	823036	3UPP-F12	824036	4UPP-F12

Storm Collar



- Maintain a weather tight seal between the vent and the roof flashing
- Silicone must be applied (*not included 7001 SIL*)

Item Description	3" Diameter		4" Diameter	
	Product Code	Part No.	Product Code	Part No.
Storm Collar	823021	3UPP-SC	824021	4UPP-SC

MISCELLANEOUS:

Grease

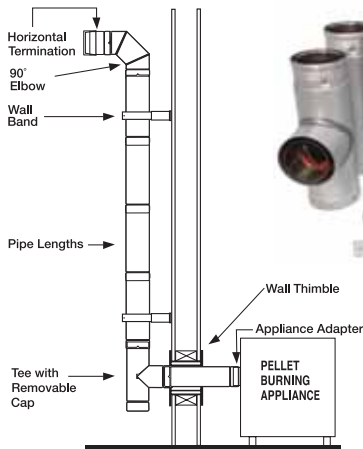


- To lubricate UPP gaskets for easier assembly and dismanteling

Item Description	Product Code
Single Use Lubricant Packet	7001 SIL
5 oz. Lubricant Tube	7001 SIL-5

PELLET PIPE KITS:

Through-the-Wall Kit



3" Kit Contains:

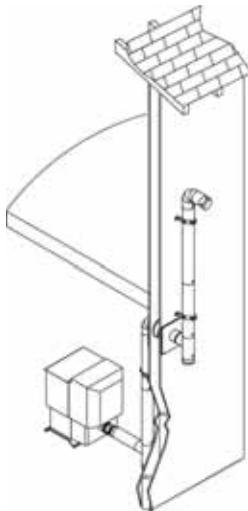
- 1 - Horizontal Termination (3")
- 1 - 90° Elbow (3")
- 2 - Adjustable Wall Band (3")
- 1 - Appliance Adapter (3")
- 1 - Wall Thimble (3")
- 1 - Tee with Tee Cap (3")
- 5 - 12" Pipe Length (3")

4" Kit Contains:

- 1 - Horizontal Termination (4")
- 1 - 90° Elbow (4")
- 2 - Adjustable Wall Band (4")
- 1 - Appliance Adapter (3")
- 1 - Appliance Adapter (4")
- 1 - 3" to 4" Increaser
- 1 - Wall Thimble (4")
- 1 - Tee with Tee Cap (4")
- 5 - 12" Pipe Length (4")

Product Code	Part No.	Product Code	Part No.
823044	3UPP-TWK	824044	4UPP-TWK

Basement Kit

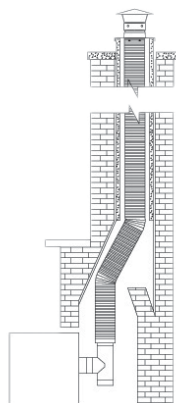


4" Kit Contains:

- 1 - Horizontal Termination (4")
- 1 - Appliance Adapter (3")
- 1 - Appliance Adapter (4")
- 1 - 3" to 4" Increaser
- 1 - Wall Thimble (4")
- 2 - Tee with Tee Cap (4")
- 3 - Adjustable Wall Band (4")
- 2 - 90° Elbow (4")
- 2 - 12" Pipe Length (4")
- 4 - 24" Pipe Length (4")

Product Code	Part No.
824045	4UPP-BK

Insert Flex Kit



25' Kit Contains:

- 1 - 25' of 4" Stainless Flex
- 1 - Increaser Tee with Tee Cap (4")
- 1 - Reverse Flex Connector (4")
- 1 - 4" Termination Cap
- 1 - 4" Flex Flashing Connector
- 1 - 4" Flashing/Support
- 1 - Appliance Adapter (3")
- 1 - Silicone Sealant

35' Kit Contains:

- 1 - 35' of 4" Stainless Flex
- 1 - Increaser Tee with Tee Cap (4")
- 1 - Reverse Flex Connector (4")
- 1 - 4" Termination Cap
- 1 - 4" Flex Flashing Connector
- 1 - 4" Flashing/Support
- 1 - Appliance Adapter (3")
- 1 - Silicone Sealant

Product Code	Part No.	Product Code	Part No.
824042	4UPP-IK25	824043	4UPP-IK35

Ultimate PelletPipe™

Specialized Hearth Venting Solutions

For training, detailed product information, downloadable catalogs and installation instructions visit our website:

selkirkcorp.com



Selkirk Corporation
5030 Corporate Exchange Blvd.
Grand Rapids, MI 49512

phone: 1.800.992.VENT (8368)
email: info@selkirkcorp.com

selkirkcorp.ca



Selkirk Canada Corporation
950 South Service Road
Second Floor
Stoney Creek, ON L8E 6A2

phone: 1.888.SELKIRK (735.5475)
email: cscanada@selkirkcorp.com

Complete Linecard



residential chimney



roof curbs & equipment rails



access doors



rooftop products*



residential vent



filters*



duct components



grilles, registers, diffusers



commercial industrial vent