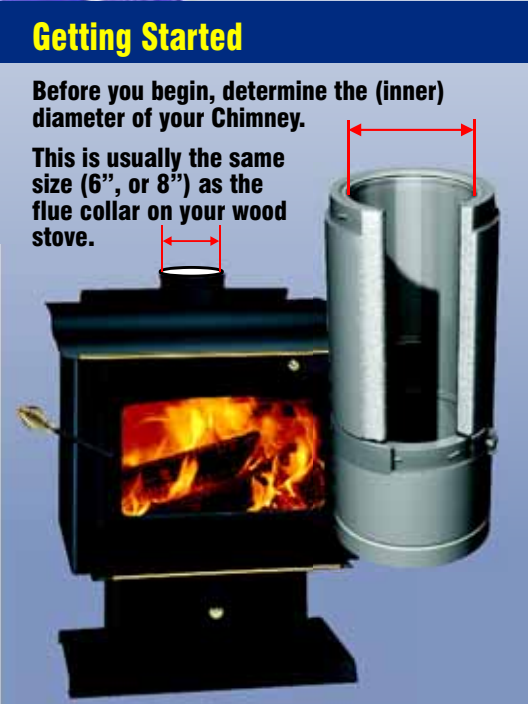


SUPERPRO Your Complete Wood Stove Venting Solution!



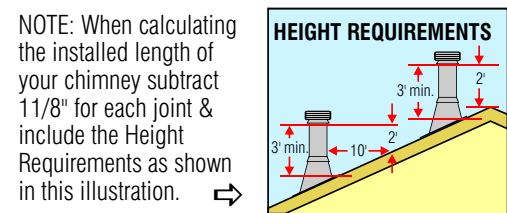
Getting Started

Before you begin, determine the (inner) diameter of your Chimney. This is usually the same size (6", or 8") as the flue collar on your wood stove.

Step 2

Determine the number of Chimney Lengths required. Chimney Lengths are available in 48", 36", 24", 18", 12" and 6" lengths.

The chimney must extend at least 3' above the highest point where it passes through the roof surface and at least 2' higher than any part of the building within a horizontal distance of 10'.



NOTE: When calculating the installed length of your chimney subtract 11/8" for each joint & include the Height Requirements as shown in this illustration. →

Step 3

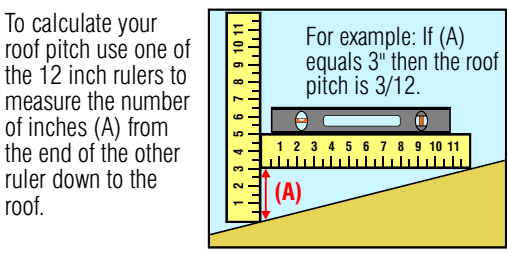
Choose the proper Roof Flashing required for your installation.

To determine which Roof Flashing you require, work out the pitch of your roof.

- 6" Chimney Diameter:**
0/12 - 6/12 Roof Pitch = JSC6AAF - (Low Slope)
6/12 - 12/12 Roof Pitch = JSC6AF2 - (Steep Slope)
- 8" Chimney Diameter:**
0/12 - 6/12 Roof Pitch = JSC8AAF - (Low Slope)
6/12 - 12/12 Roof Pitch = JSC8AF2 - (Steep Slope)

NOTE: for Metal Roofs use:
Universal Rubber Boot Flashing Kit = 200275

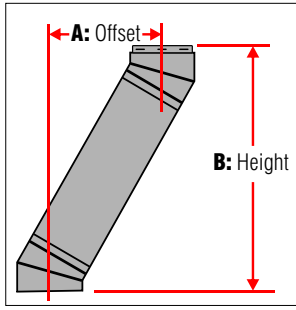
ROOF FLASHING SELECTION CHART



To calculate your roof pitch use one of the 12 inch rulers to measure the number of inches (A) from the end of the other ruler down to the roof.

Step 4 Offset Calculation for Ceiling Support Installations Only

If an offset is required to avoid rafters or other obstructions, measure the horizontal distance required and the vertical height available, refer to the Chimney Offset Chart to determine the Elbows and Chimney Length required.



CHIMNEY OFFSET CHART		6" Diameter		8" Diameter	
Elbow	Chimney Lengths	A	B	A	B
2x15°	no chimney length	1-1/8"	10"	1-1/4"	10-3/8"
2x15°	6" chimney length	2-3/8"	14-1/4"	2-1/2"	15-5/8"
2x15°	12" chimney length	4"	20-1/2"	4"	21"
2x15°	24" chimney length	7"	32"	7"	32-1/2"
2x15°	36" chimney length	10-1/8"	43-5/8"	10-1/4"	44-1/8"
2x30°	no chimney length	2-3/4"	11-5/8"	3-1/2"	14-1/2"
2x30°	6" chimney length	5-1/4"	15-7/8"	6"	18-3/8"
2x30°	12" chimney length	8-1/4"	21"	9"	24"
2x30°	24" chimney length	14-1/4"	31-3/8"	15"	32-3/8"
2x30°	36" chimney length	20-1/4"	41-7/8"	21"	44-3/4"

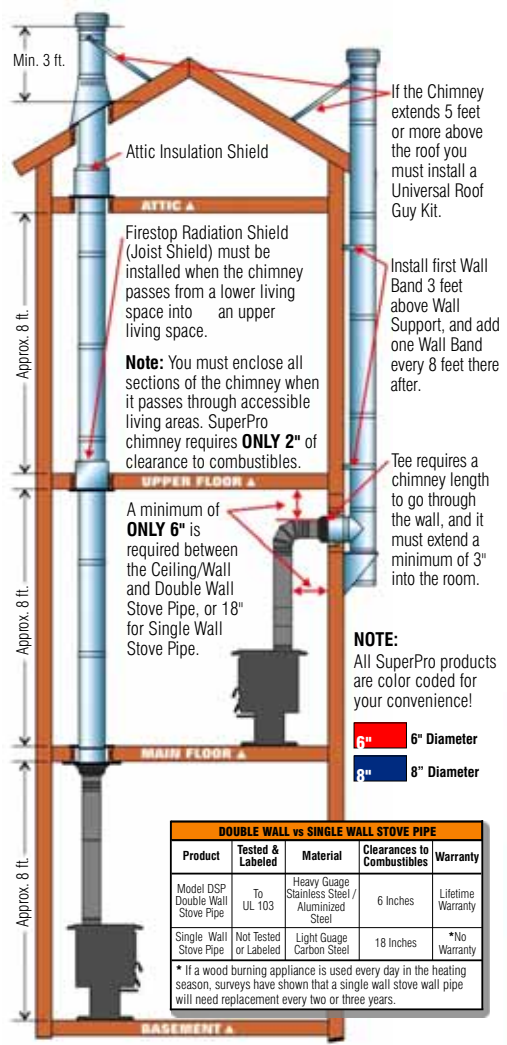
Note: All measurements in inches. Offset tolerances ± one inch

Step 5

The final step required to complete your Wood Stove Venting solution is to determine the Model DSP Double Wall Stove Pipe parts that will be needed to complete your installation. (Refer to Installation Diagrams (Step 1) and complete your Installation Planning Work Sheet)

Helpful Installation Tips

Need Help? ... Contact us at: 1.800.992.VENT (8368) or visit us online @ www.superpro.com



DOUBLE WALL vs SINGLE WALL STOVE PIPE			
Product	Tested & Labeled	Material	Clearances to Combustibles
Model DSP Double Wall Stove Pipe	To UL 103	Heavy Gauge Stainless Steel / Aluminumized Steel	6 Inches
Single Wall Stove Pipe	Not Tested or Labeled	Light Gauge Carbon Steel	18 Inches

Warranty
 Lifetime Warranty
 *No Warranty

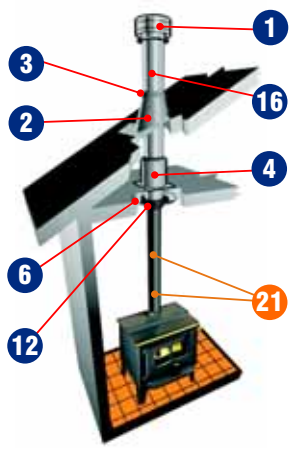
* If a wood burning appliance is used every day in the heating season, surveys have shown that a single wall stove wall pipe will need replacement every two or three years.



SUPERPRO For the Chimney Professional Who Demands the Best!

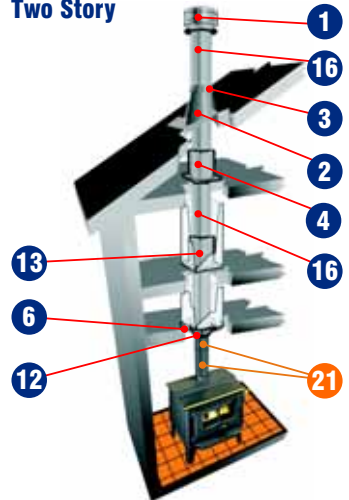
Step 1 Select type of installation by determining where your chimney will run. (Installations may vary, please refer to the installation instructions @ www.superpro.com)

Decorator Ceiling Support Installation



Note: If your Chimney runs more than 50' you must install a Roof Support. # JSC*RS.

Decorator Ceiling Support Installation Two Story



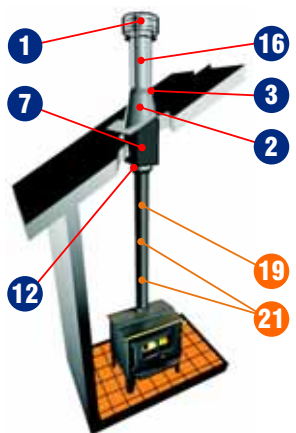
Note: If your Chimney runs more than 50' you must install a Roof Support. # JSC*RS

Decorator Ceiling Support Installation with Offset



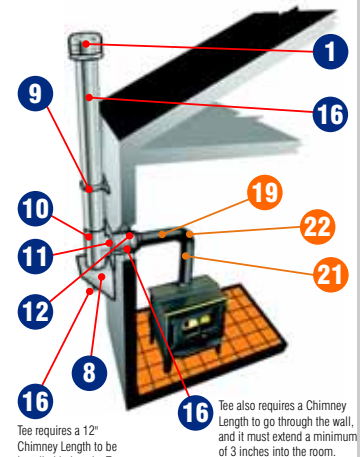
Note: If your Chimney runs more than 50' you must install a Roof Support # JSC*RS

Cathedral Ceiling Support Installation



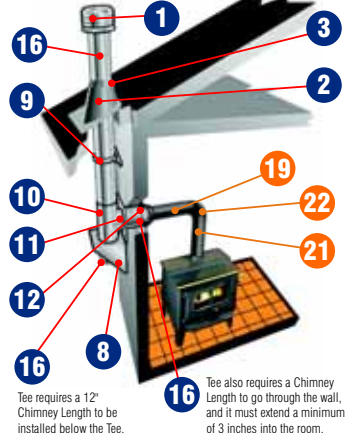
Note: If your Chimney runs more than 38' you must install a Roof Support. # JSC*RS

Wall Support Installation



Note: If your Chimney runs more than 38' you must install an Adjustable Intermediate Wall Support. # JSC*AIWS

Wall Support Installation Through a Soffit



Note: If your Chimney runs more than 38' you must install an Adjustable Intermediate Wall Support. # JSC*AIWS or a Roof Support # JSC*RS

Installation Planning Work Sheet Diameter Required: 6" 8" ALL PARTS ARE ALSO AVAILABLE IN 5" AND 7" DIAMETERS AS SPECIAL ORDER

SUPERPRO	PART #	PRICE	QTY	TOTAL
1	Premium Rain Cap SPR*PRC	\$ X	=	
Not Illustrated	Spark Arrestor JSC*SPAR	\$ X	=	
2	Adjustable Roof Flashing (See Step 3) Adj. 0/12 to 6/12 JSC*AAF	\$ X	=	
	Adj. 6/12 to 12/12 JSC*AF2	\$ X	=	
Not Illustrated	Universal Rubber Boot Flashing Kit (See Step 3) 200275	\$ X	=	
3	Storm Collar JSC*SC-1	\$ X	=	
4	Attic Insulation Shield JSC*AIS	\$ X	=	
Not Illustrated	Rafter Radiation Shield JSC*RRS	\$ X	=	
6	Deluxe Black Ceiling Support with Brass Trim SPR*CSB	\$ X	=	
7	Cathedral Ceiling Support with Brass Trim SPR*CCSB	\$ X	=	
8	Adjustable Wall Support JSC*AWS	\$ X	=	
Not Illustrated	Adaptor Plate JSC*AP	\$ X	=	
9	Wall Bands (see Installation Tips) JSC*WB	\$ X	=	
10	Insulated Tee & Plug SPR*ITP	\$ X	=	
Not Illustrated	Tee Plug Insulated J*1TPI	\$ X	=	
11	Wall Thimble with Brass Trim SPR*WTB	\$ X	=	
12	Stove Pipe Adaptor JSC*ASE	\$ X	=	
Not Illustrated	Finishing Plate JSC*FP	\$ X	=	
Not Illustrated	Black Trim Collar SPR*TCB	\$ X	=	
13	Firestop Radiation Shield (Firestop Joist Shield) (2 story installation) JSC*FRS	\$ X	=	
Not Illustrated	Adjustable Universal Roof Guy Kit (see Installation Tips) (if Chimney extends more than 5' above Roof Line) JURGK-1	\$ X	=	
15	If Offset is Required add one (2 per Kit) (See Step 4) 15° Elbow Kit SPR*EL15K	\$ X	=	
	30° Elbow Kit SPR*EL30K	\$ X	=	
16	Chimney Lengths (See Step 2) 48" Length SPR*L48	\$ X	=	
	36" Length SPR*L36	\$ X	=	
	24" Length SPR*L24	\$ X	=	
	18" Length SPR*L18	\$ X	=	
	12" Length SPR*L12	\$ X	=	
	6" Length SPR*L6	\$ X	=	
Not Illustrated	Locking Band (recommended for each pipe length) SPR*SLB	\$ X	=	
Not Illustrated	Universal Shielding Insulation (use with parts 4, 7 or 11) JUSI	\$ X	=	

DSP STOVE PIPE	PART #	PRICE	QTY	TOTAL
Not Illustrated	Universal Chimney Adaptor DSP*CA	\$ X	=	
19	Adjustable Length (Installs from 12" to 18") Includes Finishing Band DSP*AL-1	\$ X	=	
20	Telescopic Length (Installs from 38" to 68") Includes Finishing Band DSP*TL	\$ X	=	
21	Fixed Pipe Lengths Length 6" DSP*P6-1	\$ X	=	
	12" DSP*P12-1	\$ X	=	
	24" DSP*P24-1	\$ X	=	
	36" DSP*P36-1	\$ X	=	
Not Illustrated	45° Elbow DSP*E4-1	\$ X	=	
22	90° Elbow DSP*E9-1	\$ X	=	
Not Illustrated	Tee includes Cap DSP*TE-1	\$ X	=	
Not Illustrated	Damper Kit DSP*DK-1	\$ X	=	
Not Illustrated	Stove Adaptor DSP*SA-1	\$ X	=	
Not Illustrated	Flush Stove Adaptor DSP*FSA-1	\$ X	=	
Not Illustrated	Oval to Round Adaptor (Only Available in 8" Diameter) DSP*OTR	\$ X	=	
Not Illustrated	IWT Insulated Wall Thimble DSP*IWT	\$ X	=	
Not Illustrated	Masonry Adaptor DSP*MA	\$ X	=	
Not Illustrated	Reducers 7" to 6" DSPR76	\$ X	=	
	8" to 7" DSPR87	\$ X	=	
	8" to 6" DSPR86	\$ X	=	
Not Illustrated	Increases 6" to 7" DSPI67	\$ X	=	
	7" to 8" DSPI78	\$ X	=	
	6" to 8" DSPI68	\$ X	=	
Not Illustrated	Universal Finishing Band DSP*FB	\$ X	=	

MODEL DSP STOVE PIPE TOTAL \$

SUPERPRO CHIMNEY TOTAL \$