

Installation & Maintenance Instructions



Tested to
*UL 103HT & ULC-S641

MODEL DCC DOUBLE WALL CHIMNEY CONNECTOR

A MAJOR CAUSE OF CHIMNEY RELATED FIRES IS FAILURE TO MAINTAIN REQUIRED CLEARANCES (AIR SPACES) TO COMBUSTIBLE MATERIALS. IT IS OF UTMOST IMPORTANCE THAT THIS DOUBLE WALL CHIMNEY CONNECTOR AND THE CHIMNEY BE INSTALLED ONLY IN ACCORDANCE WITH THESE INSTRUCTIONS.

GENERAL DESCRIPTION

Double Wall Chimney Connector (Model DCC) is to be used as a connector between a solid, liquid or gas-fired appliance and the start of a Factory-Built Chimney system listed to UL 103 HT and ULC-S629 because of its air-insulated, double wall design, it may be installed with less clearance to combustibles than standard single wall stovepipe.

Stovepipe Model DCC Double Wall Chimney Connector has been tested by Intertek Testing Services for use as chimney connector with a minimum airspace clearance to combustibles of 6 inches (152mm).

NOTE: Installation in *mobile homes* may require special precautions. Please refer to the following special notes if you are installing in a mobile home.

Special Notes Concerning Installation in Mobile Homes:

CAUTION: There are special regulations governing mobile home installations which are substantially different from conventional installations. Among these is the requirement that every part of the installation (stove, connector, and chimney) must be listed by a testing agency accepted by HUD (Department of Housing and Urban Development). Parts which comply with this requirement will display a label specifying the testing agency which conducted the appropriate test, such as Underwriters Laboratories (UL). These listed parts must be installed exactly as the stove manufacturer specifies in his installation instructions.

The use of our products in mobile home installations is acceptable *ONLY* if Model DCC and the applicable model numbers of our products appear in the stove manufacturer's installation instructions. When installing wood burning equipment in mobile homes, make certain that all local codes, specifications, clearances and the manufacturer's instructions are adhered to without deviation.

IMPORTANT: Some mobile home stoves may require greater clearance to the chimney connector than the 6 inches minimum as specified for standard installations. Always refer to the specifications and minimum clearances stated in the mobile home stove manufacturer's installation instructions. If two clearance distances appear to conflict, always select and use the larger clearance distance.

Important Pre-Installation Information:

- € Model DCC Double Wall Chimney Connector and Factory-Built Chimneys are designed to be installed as complete systems, including supports, pipe sections, caps, etc., as shown in our installation instructions.
- € Installing or using our Double Wall Chimney Connector, Chimney, or parts of either in ways other than specified in our instructions might be hazardous. Therefore, none of these parts should be used differently than shown in our instructions.

Important Pre-Installation Information (cont'd)

- Contact local building or fire officials about restrictions and installation inspection in your area and obtain required building permit.
- Most structure fires involving connectors or factory built chimneys are caused by improper installation and/or misuse.
- Consult the stove manufacturer's installation instructions for their specific installation requirements. Double Wall Chimney Connector size and Chimney size must be the same as the flue outlet size of the stove.
- Each wood burning stove requires its own separate chimney system.
- Inspect all components before installation and do not attempt to install any part which appears damaged.
- NEVER enclose the Double Wall Chimney Connector (including tees or elbows) through the walls, ceilings, attics or closets.
- NEVER pass Double Wall Chimney Connector (including tees or elbows) through walls, ceilings, attics or closets.
- Always maintain the required minimum of 6 inches (152mm) airspace clearance to combustibles from the Double Wall Chimney Connector, unless the stove manufacturer specifically recommends a larger distance.
- DO NOT put any type of insulation in the airspace surrounding the Double Wall Chimney Connector or between the outside of the Chimney and the inside of the support assembly.
- Ensure that the horizontal run of the Double Wall Chimney Connector is securely supported from the structure by means of metal or other non-combustible supports at intervals not exceeding 6 ft (1.8m).
- Provide sufficient slope in the horizontal run of the Double Wall Chimney Connector (1/4" per foot, 20mm per meter) to enable any condensed liquid or creosote to run back toward the appliance.
- Flue Gas Temperatures should be monitored during operation. See section titled "Operating and Maintenance Instructions for Burning Wood."
- After reading the instructions, if you still have any doubt about your ability to complete the installation in a workmanlike manner, you should arrange for a professional installation.

When handling sheet metal parts, we recommend the use of cut resistant gloves and protective eyewear.

GENERAL INSTRUCTIONS

Appliance Installation:

The appliance must be installed in accordance with the manufacturer's installation instructions. The appliance has definite minimum clearances to combustibles. These minimum clearances for the appliance must be maintained. **Do not attempt to reduce the minimum specified appliance clearances** when installing the Double Wall Chimney Connector.

The maximum recommended length of Double Wall Chimney Connector **should not exceed 20 ft.** Reduce this maximum limit by 10% for every 90° bend or 5% for every 45° bend.

Chimney Installation:

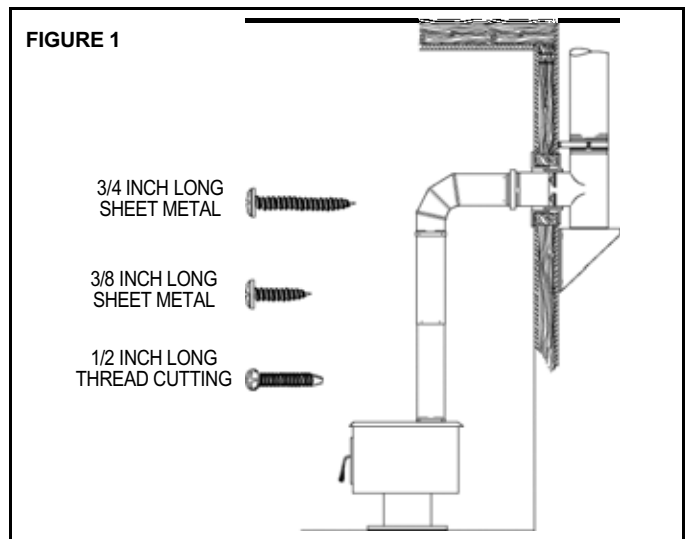
The chimney must be installed in accordance with the manufacturers Factory-Built Chimney installation instructions.

Mobile home installation may require special shielding methods in the attic space. These methods should be explained in the mobile home stove manufacturer's installation instructions

Double Wall Chimney Connector Installation: LOCATE PROPER FASTENERS

Every Double Wall Chimney Connector installation will require at least three types of screw. Each Telescoping Section, DCC-TS5, Adjustable Length, DCC-18A, Elbow, DCC-45, DCC-90, Tee, DCC-T and Stove Adaptor, DCC-SA is packaged with nine screws as follows:

Three (3) 3/4 inch long sheet metal screws, for attaching the connector to the chimney system.

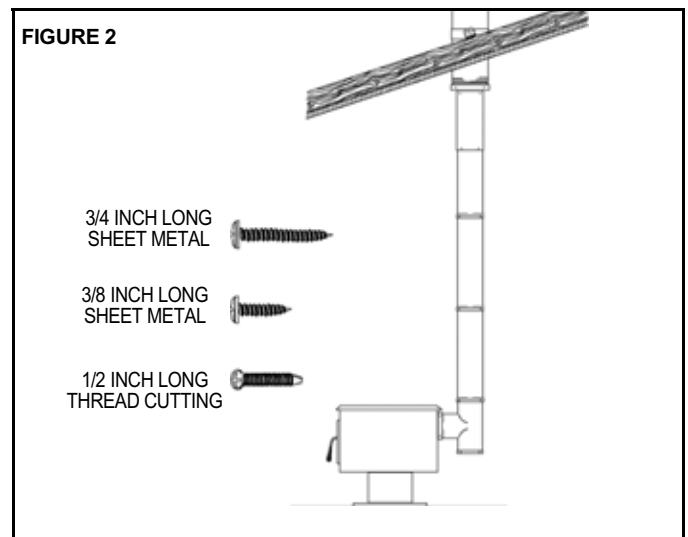


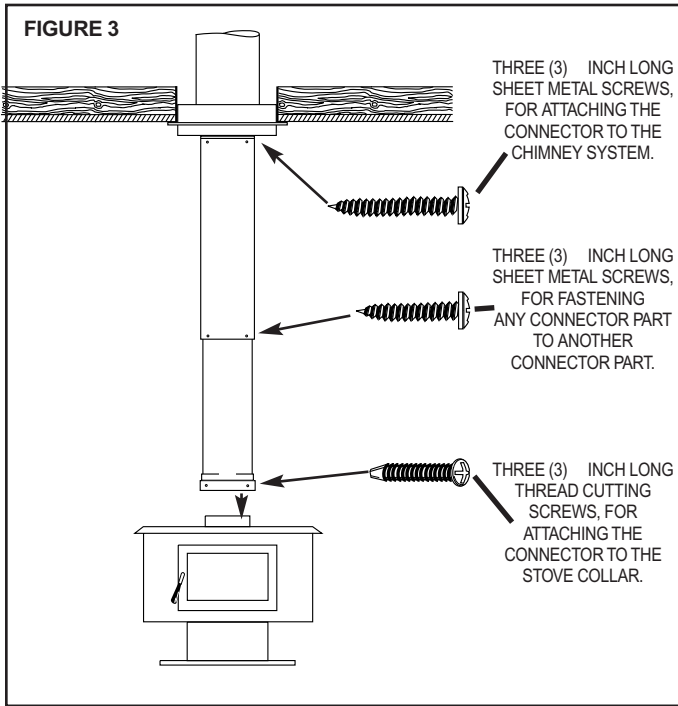
Three (3) 3/8 inch long metal screws, for fastening any connector part to another connector part.

Three (3) 1/2 inch long thread cutting screws, for attaching to the stove collar.

Each straight section, DCC-12, DCC-24, is packaged with three (3) 3/8 inch long sheet metal screws.

These fasteners must be used as illustrated.

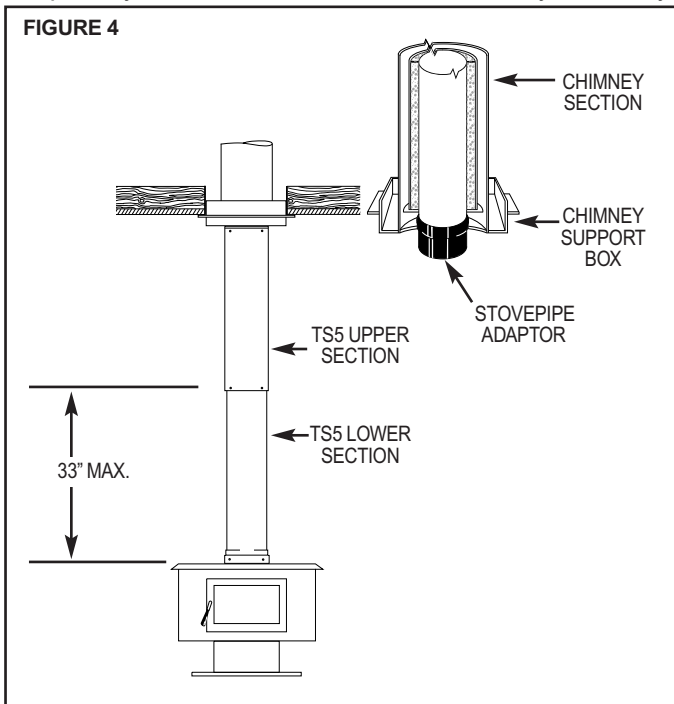




FIVE FOOT TELESCOPING SECTION DCC-TS5

The telescoping section is designed for straight-up installations ranging from 42 inches (3'-6") to 69 inches (5"-9"). Additional DCC pipe sections or fittings may be attached to the TS5 to accommodate through-the-wall installations, rear outlet stoves or high ceiling applications. After installation, the outer wall of the TS5 upper section must overlap the lower section a minimum of three inches.

To attach the TS5 to the chimney, the stove should be temporarily moved out from under the chimney. Carefully To attach the TS5 to the chimney, the stove should be temporarily moved out from under the chimney. Carefully



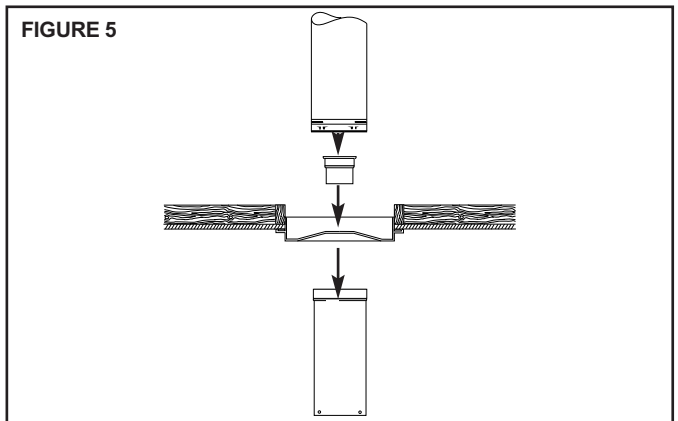
attach *only* the upper section of the TS5 to the Stovepipe adaptor as outlined in "Attach Connector To Chimney." Next, slip the lower section of the TS5 inside the upper section. Move the stove into position and slide the TS5 lower section down and over the stove collar. Attach the lower section of the TS5 to the stove collar as outlined in "Attach Connector To Stove." Secure the two sections of the TS5 together with three (3) #10 x 3/8" long sheet metal screws.

Attach Connector To Chimney

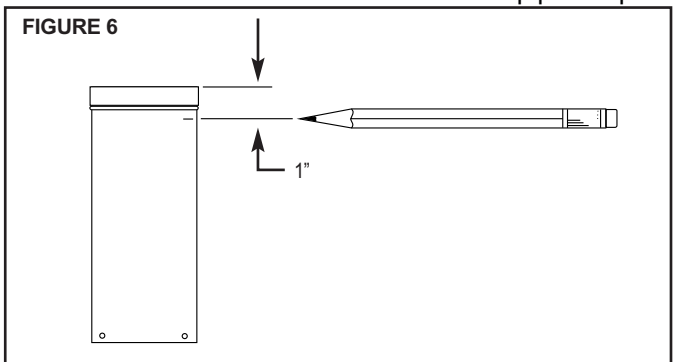
CEILING SUPPORT OR ROOF SUPPORT BOX
Install chimney support box in accordance with the manufacturer's installation instructions. Install Stovepipe Adaptor. Complete the chimney installation according to the chimney manufacturer's instructions.

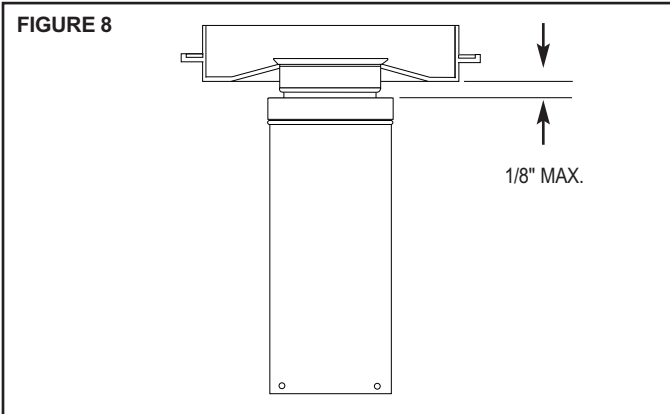
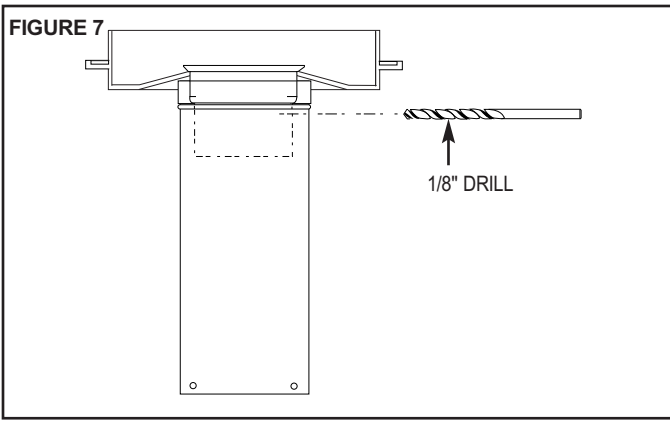
Select a section or adjustable length of Double Wall Chimney Connector. Mark the connector for three screw holes. The holes must be one inch from the top and equally spaced around the connector.

Carefully slide the connector over the Stovepipe Adaptor until the outer wall is flush with the bottom of the



support box. Drill three (3) 1/8 inch holes completely through both walls of the connector and the Stovepipe Adaptor. Use the three (3) 3/4 inch long screws and securely fasten the connector to the Stovepipe Adaptor. Use the three (3) 3/4 inch long screws and securely fasten the connector to the Stovepipe Adaptor. Pull the connector downward to verify that the gap between the connector and the support box does not exceed the limits shown in Fig. 8. If these gaps are larger, the connector must be remounted to the Stovepipe adaptor.

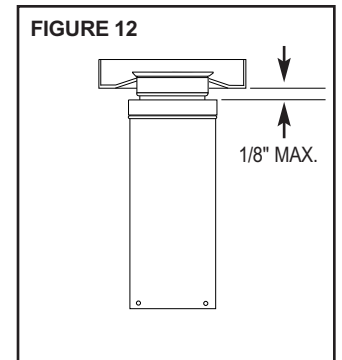
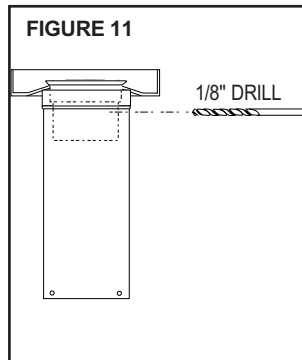
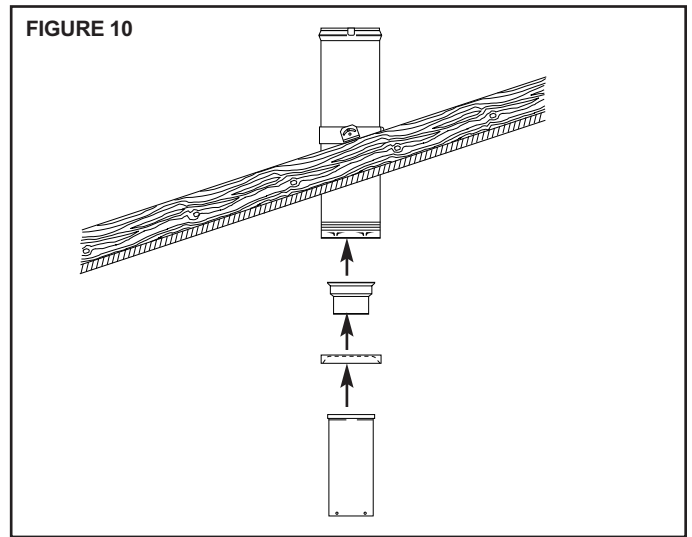
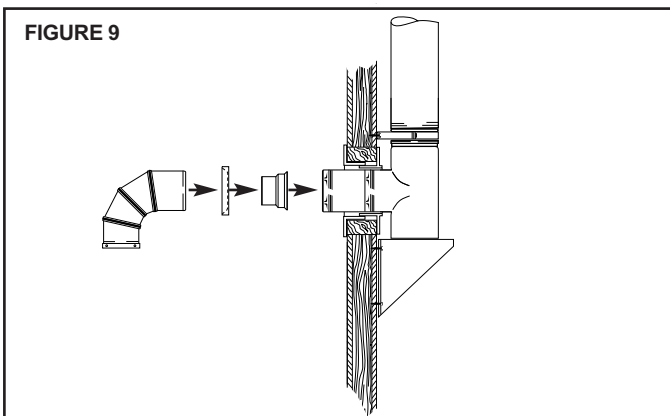




THROUGH-THE-WALL OR ADJUSTABLE ROOF SUPPORT ASSEMBLY

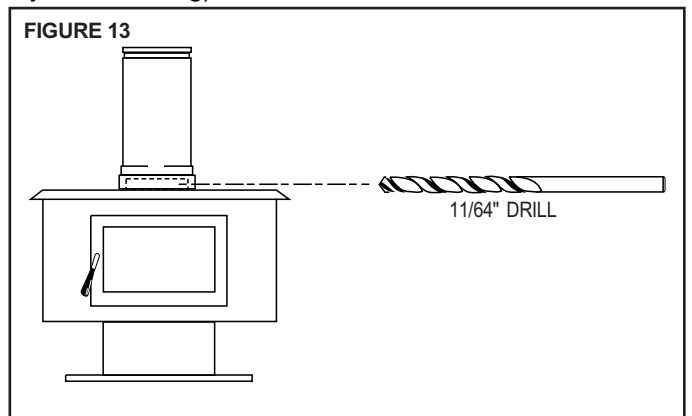
Follow the same installation guidelines as outlined above except for the following:

1. Be sure the Pipe End Plate is fastened securely to the Factory-Built Chimney.
2. Be sure the Stovepipe Adaptor flange is in firm contact with the end plate by pulling into the appliance room, away from the chimney.
3. With the Stovepipe Adaptor pulled as far into the appliance room as possible, make sure it is engaged with the chimney's inner wall.
4. After installing the connector, make sure the gap between the end plate and connector does not exceed the limits illustrated in Fig. 12.



ATTACH CONNECTOR TO STOVE TOP OUTLET STOVES

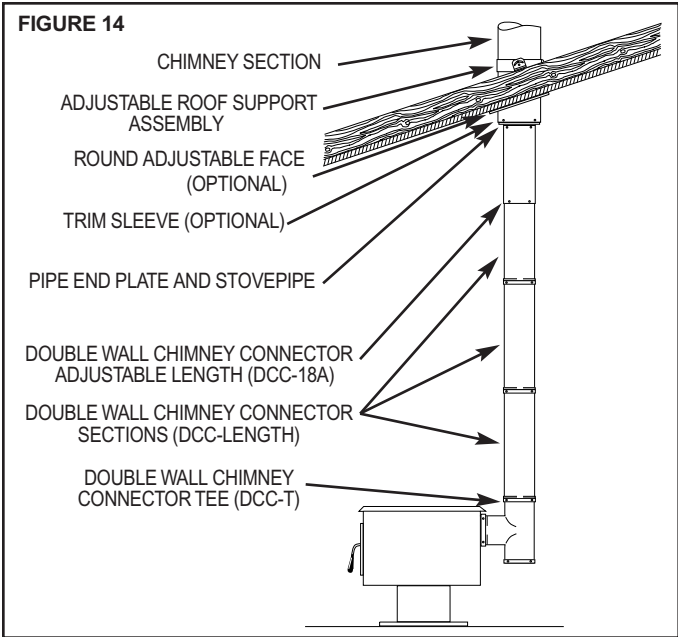
Select a section of Double Wall Chimney Connector and place it over the stove collar. The outer wall of the connector should rest flat against the top surface of the stove. If the outer wall of the connector does not contact the top surface of the stove, a Stove Adaptor, DCC-SA, must be used. Turn the connector so that the seam faces the rear of the stove. There are three holes near the bottom of the connector. Using these holes as a guide, mark the location of the holes on three corresponding points of the stove collar. Remove the connector. Drill three (3) 11/64 inch diameter holes in the stove collar. Replace the connector and secure it to the stove collar using the three (3) special thread cutting screws (10-24 by 1/2 inch long).



Rear Outlet Stoves

Double Wall Chimney Connector Tees and 90° Elbows are available for use with rear outlet stoves. Follow the same instructions as outlined above for top outlets except for the following:

1. The Tee, Elbow or Stove Adaptor should be attached to the rear of the stove.
2. The outer wall should rest flush with the rear of the stove.
3. The two bottom caps of the Tee are removable for cleaning and inspection. When installing or replacing the tee caps, be certain that the inner cap is in place and the outer cap is secured with the screws provided.



Remaining Pipe Sections and Adjustable Length

Most installations will use an adjustable length, DCC-18A, or the Telescoping Section, DCC-TS5. The adjustable length must overlap the section below by a minimum of three (3) inches. The adjustable length may be attached directly to the Stovepipe Adaptor, between elbows, or at any point above the connector section which is attached to the stove.

When joining sections of DCC Double Wall Chimney Connector, make sure each section is fully engaged and all joints are secured with three (3) #10 x 3/8" long sheet metal screws.

Operating and Maintenance Instructions For Burning Wood

Do not use fuel materials corrosive to the chimney such as driftwood, chemically treated wood or garbage or over fire your solid fuel appliance. This can cause failure of the DCC Chimney connector.

1. Creosote and soot formation and need for removal: When wood is burned slowly, it produces tar and other organic vapors, which combine with expelled moisture to form creosote. The creosote vapors condense in the relatively cool chimney flue of a slow-burning fire. As a result, creosote makes an extremely hot fire. A chimney fire can overheat the chimney or connecting parts and damage them, and if the chimney fire is of any significant duration, the fire may extend to the building.

2. If a chimney fire occurs, or if the outside wall of the chimney is discolored, the chimney MUST be inspected before further use.
3. Airtight stoves and stoves with "automatic" draft regulators are the most likely to produce creosote by lowering the temperature of flue gases, permitting creosote condensation on the inner walls of the chimney and connecting parts.
4. For wood burning applications, the Double Wall Chimney Connector and Chimney must be inspected at least every two months during the heating season to determine if a creosote build-up has occurred. If creosote has accumulated, it must be removed to reduce the risk of a chimney fire. Contacting a professional chimney sweep is recommended.
5. Chimneys and Double Wall Chimney Connector should be cleaned only with brushes designed for this purpose.
6. Do not use chemical cleaners or burn driftwood. The salts contained in both can shorten the life of the product.
7. Never use flammable liquids to start a fire.
8. Overloading the stove with fuel may result in overheating the chimney and connecting parts, thereby creating a fire hazard. If any part of the stove or connecting pipe GLOWS RED, it is overfired. If this happens, close stove doors, draft wheels or other combustion air controls; set the thermostat (if any) to minimum temperature and let everything cool. DO NOT ADD FUEL TO AN ALREADY OVERLOADED STOVE.
9. Flue Gas Temperatures in the Double Wall Chimney Connector should be monitored using a probe thermometer designed for this purpose. DO NOT EXCEED the following Flue Gas temperatures; For Canada, continuous, not exceeding 650°C/1200°F and in the US, continuous, not exceeding 540°C/1000°F.
10. The Double Wall Chimney Connector is subjected to the most severe operating conditions in the entire wood burning system. Therefore, during periodic inspection of this product, special attention should be given to any signs of deterioration. If any doubt exists concerning the integrity of the product or its ability to continue to function in a safe manner, contacting a professional chimney sweep is recommended.

INSTALLATION AND MAINTENANCE RECORD SECTION

To ensure safe operation and maximize the life of your Double Wall Chimney Connector, we strongly encourage the homeowner to keep the following Installation and Maintenance Records.

DATE OF INSTALLATION:

INSTALLED BY:

Inspection Date

Cleaning Date

Inspection Date

Cleaning Date

_____	_____	_____	_____
_____	_____	_____	_____
_____	_____	_____	_____
_____	_____	_____	_____
_____	_____	_____	_____
_____	_____	_____	_____

USA

5030 Corporate Exchange Blvd. SE
Grand Rapids, MI 49512
616.656.8200 *phone*
800.433.6341 *toll-free phone*
800.223.8461 *toll-free fax*

CANADA

P. O. Box 526, Depot 1,
Hamilton, ON L8L 7X6
905.662.6600 *phone*
888.735.5475 *toll-free phone*
866.835.9624 *toll-free fax*