

# SECURE-TEMP® ASHT

Factory-built CHIMNEY  
5", 6", 7", 8" & 10" dia.  
TYPE HT

## CONTENTS

RECOMMENDATION & APPLICATIONS.....2	EXTERIOR INSTALLATION.....15-18
MAINTENANCE AND SIZING CHART.....3	INTERIOR INSTALLATION ON A FURNACE, BOILER, OR WATER HEATER.....19-20
GENERAL INSTALLATION NOTES.....4-5	SPECIALIZED COMPONENTS.....21
INTERIOR STRAIGHT INSTALLATION -SINGLE FLOOR.....6-7	REPLACEMENT PARTS.....22
INTERIOR STRAIGHT INSTALLATION -MULTIPLE FLOOR.....8-9	WARRANTY.....25
INTERIOR INSTALLATION WITH CATHEDRAL CEILING.....10-12	
OFFSET DEVIATION.....13-14	

## INSTALLATION

## AND

## OPERATION

## INSTRUCTIONS

### WARNING

A MAJOR CAUSE OF CHIMNEY-RELATED FIRES IS FAILURE TO MAINTAIN REQUIRED CLEARANCES (AIR SPACES) TO COMBUSTIBLE MATERIALS. IT IS OF UTMOST IMPORTANCE THAT THIS CHIMNEY BE INSTALLED ONLY IN ACCORDANCE WITH THESE INSTRUCTIONS.

**Read these instructions and keep them for future reference**

**These instructions must be followed in all details. Failure to do so may result in a hazardous installation.**

Listed: Warnock Hersey 9651

Standard: CAN / ULC-S604

UL-103HT

CAN / ULC-S629

(6", 7", 8" only)



2125 Monterey, Laval, Quebec  
Canada, H7L 3T6  
800-667-3387

PIASHT LS301 REV. 21 04/15/2021

## RECOMMENDATIONS

### Clearance

The clearances stated in this guide are minimum requirements: if more space is available, use it. Minimum clearances mean leaving unobstructed air space. Do not fill these spaces with any material whatsoever, especially not home insulating material except specified otherwise. If you insulate your attic later, be sure to maintain the necessary clearance.

### Inspection

Contact local building or fire officials about restrictions, installation inspections and permits that may be required in your area.

### Replacement Parts

If a component of your chimney system is damaged it must be replaced by an identical one from Security Chimneys.

## APPLICATIONS

### WOOD AND COAL STOVES

The ASHT chimney has been designed for use with wood, gas, oil, and coal in residential, commercial and industrial applications, specially developed for use with controlled-combustion stoves and wood burning fireplace .

In the USA, ASHT is listed to UL-103HT, 2100°F in diameters of 5, 6, 7, 8 and 10 inches.

In Canada, ASHT is listed to ULC-S629, 2100° F in diameters 6, 7, and 8 inches for wood/coal application.

In Canada, ASHT is also designed for use with gas or oil fired heating appliances such as furnaces, water heaters, and other appliances, as per ULC-S604 in diameter 5 to 10 inches.

If you are planning to install a wood stove, we recommend that you:

1. Choose the right size stove. Do not buy one larger than you need.
2. Connect only one appliance to a chimney.
3. Never overfire your stove. If any part of the stove or stove pipe is glowing red, then you are overfiring. Immediately close the stove's dampers until the system cools. The high temperature caused by overfiring can permanently damage the stove and

stove pipe and may overheat nearby combustible walls and furniture.

4. Install the stove and stove pipe as described in the installation instructions accompanying the stove. Be certain to maintain the required clearances to combustible construction.
5. Keep your flue gases between 300°F and 500°F. This will maximize efficiency while minimizing condensation and creosote formation. Do not fill your stove with wood and allow it to smolder for 8 to 10 hours. This condition produces large amounts of creosote in the chimney.
6. Do not burn sea driftwood or treated wood. These combustibles are highly corrosive to all types of stainless steel.

### FACTORY BUILT FIREPLACES

ASHT is suitable for use with closed or opened fireplaces certified for use with the ASHT.

When doing so please refer to the fireplace installation instruction to install the chimney.

## CREOSOTE - FORMATION AND NEED FOR REMOVAL

Wood stoves can quickly create large deposits of creosote in the chimney. Some wood stoves can create enough creosote in two weeks to cause a chimney fire.

When wood is burned slowly, it produces tar and other organic vapours, which combine with expelled moisture to form creosote. The creosote vapours condense in the relatively cool chimney flue of a slow-burning fire. As a result, creosote residue accumulates on the flue lining. When ignited this creosote makes an extremely hot fire.

When using a wood stove, we recommend that you::

1. Initially, inspect the chimney system weekly. You will learn how often it will be necessary to clean your chimney.
2. The chimney should be inspected at least once every 2 months during the heating season to determine if a creosote or soot build-up has occurred: if a significant layer of creosote has accumulated (3 mm or 1/8”), it should be removed to reduce the risk of chimney fire.
3. Have your chimney cleaned by a qualified chimney sweep. If you want to clean your chimney yourself: clean your chimney using plastic or stainless steel brushes. Do not use a brush that will scratch the stainless steel interior of your chimney.
4. Do not expect chemical chimney cleaners to keep your chimney clean. Their use does not negate the necessity of periodically inspecting and cleaning your chimney.

### WARNING

**In Case of Fire: If a flue fire occurs, close all appliance dampers and source of combustion air, and call your Fire Department. Do not use the chimney again, until it has been inspected for possible damage.**

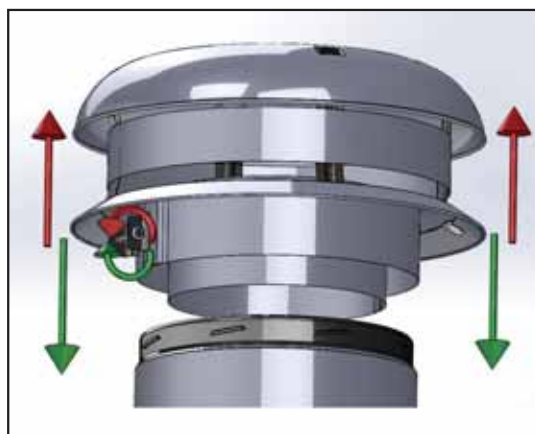
NOTE: ALL DIMENSIONS ARE IN INCHES.

## CAP REMOVAL FOR MAINTENANCE

To remove cap, unscrew the collar screw to un-tighten the collar.

Pull on the cap to remove it from the chimney.

To put the cap back in place, slide it over the chimney and then tighten the collar using the collar screw.



## SIZING CHART

CHIMNEY-SIZE	5"	6"	7"	8"	10"
OUTSIDE-DIAMETER	7"	8"	9"	10"	12"
FRAMING DIMENSION REQUIRED					
Reduced Clear. Support (RCS)	--	10 1/8"	11 1/8"	12 1/8"	--
Square support (SSC24)	--	12-1/8"	14-3/8"	14-3/8"	14-3/8"
Wall Thimble (RSM)	11"	12"	13-3/8"	14-3/8"	16-3/8"
Finish support (SFC/SFCA)	--	12-1/8"	14-3/8"	14-3/8"	--
Firestop (BF)	11-3/8"	12-3/8"	13-3/8"	14-3/8"	16-3/8"
Attic Radiation Shield (ARSA)	11-3/8"	12-3/8"	13-3/8"	14-3/8"	16-3/8"
MAX. LENGTH HEIGHT SUPPORTED **					
Tee Support (SME/SMA)	63'	63'	55'	48'	39'
Roof Support (ST)	42'	34'	27'	24'	20'
Square Support (SSC24)	--	60'	50'	45'	35'
Reduced Clearance Support (RCS)	--	60'	50'	45'	--
Finish Support (SFC/SFCA)	--	75'	65'	59'	--
Offset/Wall Support (SO-2)	--	28'	24'	20'	14'
Insulated Tee (TI) *	63'	63'	55'	50'	50'
Clearance To Combustibles	2"	2"	2"	2"	2"

**Table 1**

\* When installed on a concrete footing.

\*\* NOTE: If greater height is required, use additional roof supports at intervals not exceeding 30'

NOTE: DIAGRAMS & ILLUSTRATIONS ARE NOT TO SCALE.

# 1

## GENERAL INSTALLATION NOTES

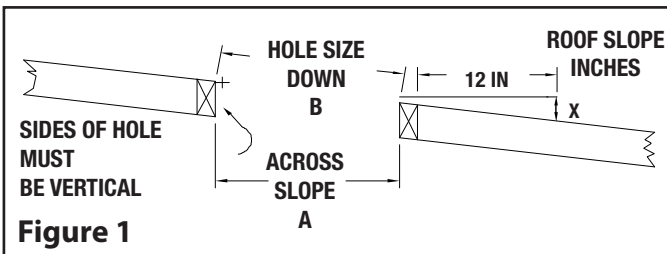
### ROOF OPENING CHART

CHIMNEY SIZE	5"		6"		7"	
ROOF SLOPE	ROOF HOLE SIZE					
x/12	A	B	A	B	A	B
0	11-3/8	11-3/8	12-3/8	12-3/8	13-3/8	13-3/8
2/12	11-3/8	11-1/2	12-3/8	12-1/2	13-3/8	13-1/2
4/12	11-3/8	12	12-3/8	13	13-3/8	14-3/32
6/12	11-3/8	12-11/16	12-3/8	13-13/16	13-3/8	14-15/16
8/12	11-3/8	13-11/16	12-3/8	14-7/8	13-3/8	16-1/16
10/12	11-3/8	14-13/16	12-3/8	16-1/8	13-3/8	17-7/16
12/12	11-3/8	16-1/16	12-3/8	17-1/2	13-3/8	18-29/32

CHIMNEY SIZE	8"		10"	
ROOF SLOPE	ROOF HOLE SIZE			
x/12	A	B	A	B
0	14-3/8	14-3/8	16-3/8	16-3/8
2/12	14-3/8	14-9/16	16-3/8	16-19/32
4/12	14-3/8	15-5/32	16-3/8	17-1/4
6/12	14-3/8	16-3/32	16-3/8	18-5/16
8/12	14-3/8	17-1/4	16-3/8	19-11/16
10/12	14-3/8	18-23/32	16-3/8	21-5/16
12/12	14-3/8	20-11/32	16-3/8	23-5/32

**Table 2 - Refer to Figure 1**



### INSTALLATION NOTES

- The chimney is intended for use with solid, liquid, and gaseous fuel burning appliances. In Canada, only 6", 7" and 8" dia. for solid fuel.  
Allowable flue gas temperature:  
Maximum continuous 1200° F (650°C)  
Brief forced firing 1400°F (760°C)  
Tested to 2100°F (1150°C) - 30 minutes
- The maximum height of chimney supported by the various Security Chimneys' supports are outlined on Table 1.
- The supports described in this manual should only be used with Security Chimneys' model ASHT, 5", 6", 7", 8" and 10" factory built chimneys.
- Size the chimney in accordance with the appliance manufacturer's instructions.
- When a firestop is required, it is important to follow the framing dimensions for floor openings as prescribed in this manual. see Table 2).
- A chimney servicing a fireplace or an incinerator shall not serve any other appliance.
- The chimney shall extend at least 3 ft above its point of contact with the roof and at least 2ft higher than any wall, roof or adjacent building within 10 ft of it.
- The maximum height of an unguided chimney above the roof is 5 ft. If the chimney extends more than 5 ft. above the roof, a Universal Roof Brace (BS2) must be used.
- The clearance between single wall pipe and unprotected combustible material must not be less than 18" (see National Building Code and NFPA 211) except: The distance between the vertical stove pipe and the ceiling may be less than 18" and will be established by the finish support.
- Multi-Story: Consult local building codes for requirements in your area. In the U.S., the National Fire Protection Association Standard #211 states: "Factory-built chimneys that pass through floors of buildings requiring the protection of vertical openings shall be enclosed with approved walls having a fire resistance rating of not less than one hour when such chimneys are located in a building less than 4 stories in height, and not less than 2 hours when such chimneys are located in a building more than 4 stories in height." In Canada, except in single-family and two-family dwellings, chimneys which

# 1

## GENERAL INSTALLATION NOTES (CONT'D)

extend through another story must have an enclosure with a fire resistance rating equal to or greater than that of the floor or roof assembly through which they pass.

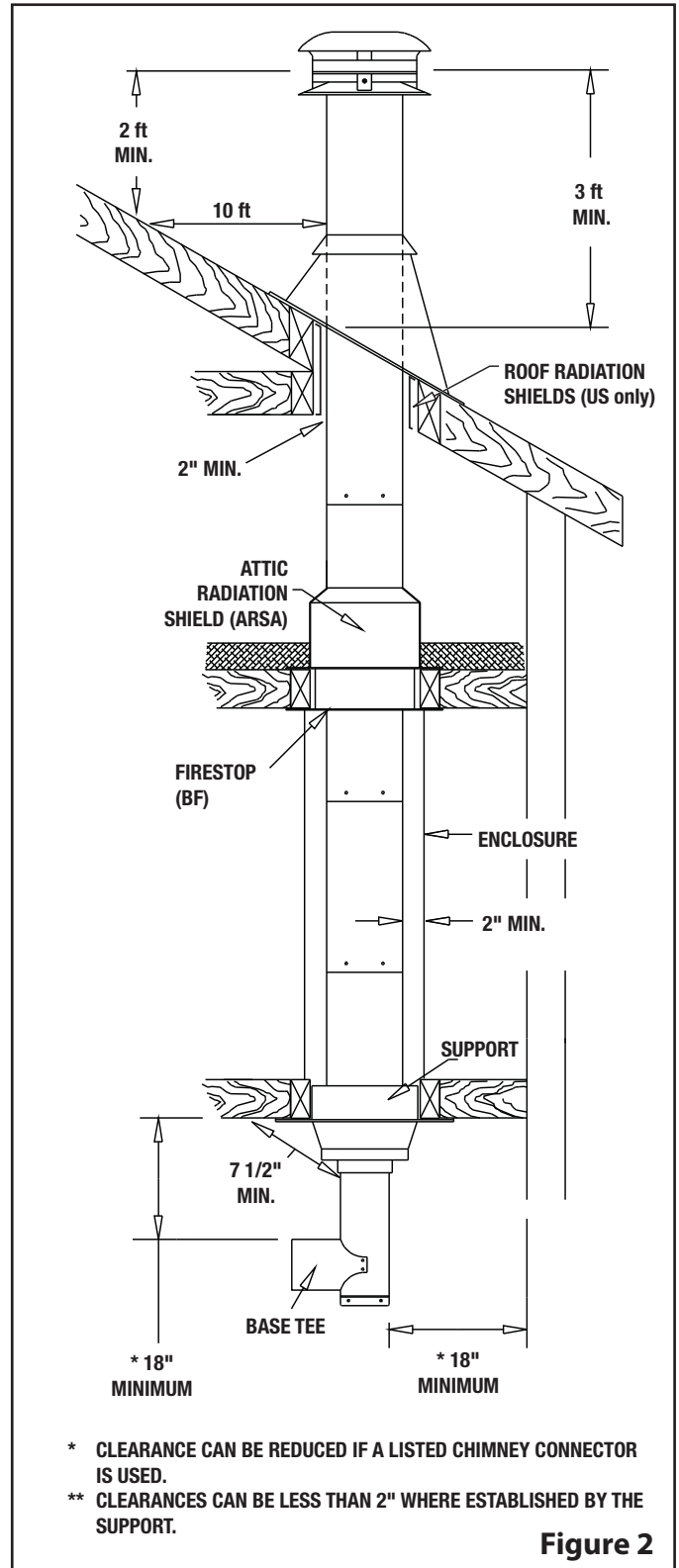
11. Do not fill the 2" space around the chimney with household insulation or any other material unless specified otherwise. Insulation placed in this area could cause adjacent combustibles to overheat.
12. Self-tapping stainless screws are not required, but may be used to reinforce the connection and avoid accidental unlocking of chimney lengths. Use only 1/2" self-tapping screws. Do not penetrate the inner wall of the chimney.
13. When penetrating an exterior wall or ceiling/roof assembly, the vapor barrier must be repaired. This is easily accomplished by attaching the vapor barrier to the outer perimeter of any wall thimble, Firestop, or ceiling support component using approved sealant or tape, while also maintaining the minimum clearances-to-combustibles to the chimney's outer wall. When penetrating the building envelope, the gap between the outer layer of chimney and any Firestop or wall thimble can be sealed using high-temperature rated (316°C / 600°F) silicone caulking. Should you require further clarification, consult your local authority having jurisdiction.
14. The safe operation of a factory-built chimney assembly is based on the use of parts supplied by the manufacturer and the performance of the assembly may be affected if the combination of these parts is not used in actual building construction.

Acceptance of the assembly is void if the installation instructions are not followed.

15. Provisions must be made to ensure that all interior portions of the chimney be accessible for inspection and cleaning.

### WARNING

**The clearance between the chimney and combustible material must not be less than 2", except where established by the support. Do not fill this area with insulation unless directed otherwise in these instructions.**



# 2

## INTERIOR STRAIGHT INSTALLATION - SINGLE FLOOR

When using the Reduced Clearance Support (RCS) at the attic level, the use of the attic radiation shield is not required. The Reduced Clearance Support (RCS) acts as an attic radiation shield when installed with insulation and a collar (provided) (see figure 3).

**NOTE:** A Finishing Support (FSC) combined with an Attic Radiation Shield (ISIA) can also be used for this application. Refer to page 8 for installation guide.

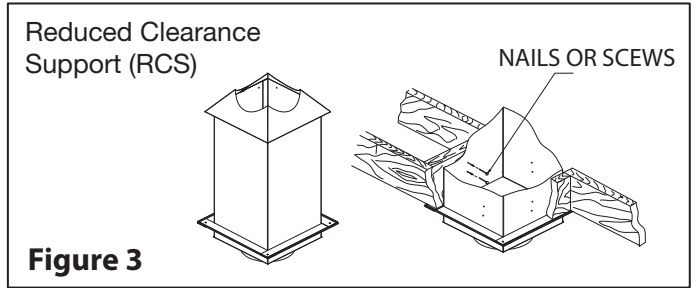
Step 1: Locate the chimney in a convenient place as near as possible to the appliance outlet.

Step 2: Cut and frame the opening in the ceiling and roof where the chimney will pass.

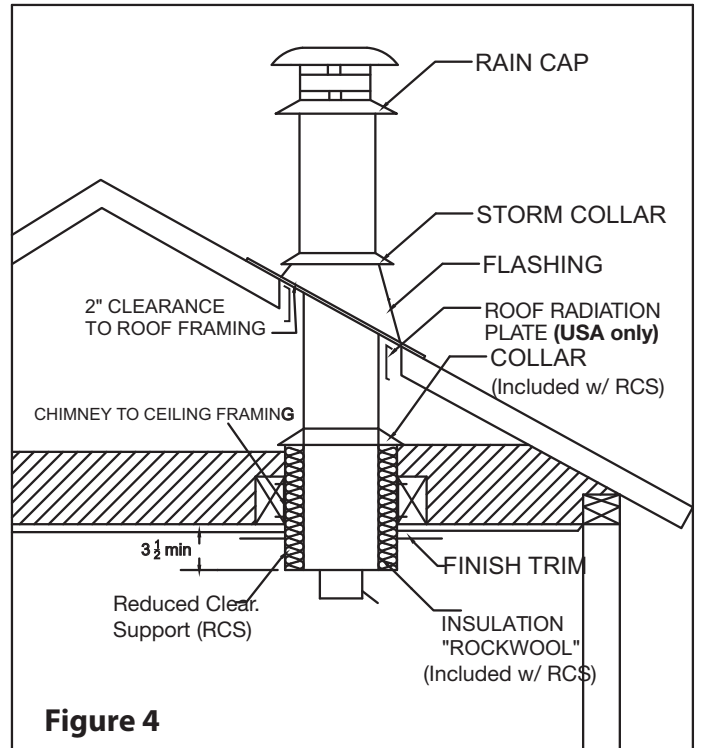
**NOTE:** It is important to follow the cutting dimensions for floor openings as prescribed in this manual.

Step 3: From below, push the Reduced Clearance Support into the framed opening in the ceiling. Ensuring the support is level, attach the support to the framed opening using (12) - 3" spiral nails or #8 x 1 1/2" wood screws (see Figure 3). At least 3 1/2" of the support must extend into the room. Screw the Finish Trim (included) to the ceiling.

**NOTE:** At least 3 1/2" of the support must extend down below the finished ceiling. This ensures minimum clearances are maintained to stovepipe. Fix the Finish Trim around the support using supplied screws.



**Figure 3**



**Figure 4**

CHIMNEY SIZE	FRAMING DIMENSION	
	Reduce Clearance Support	ROOF
6"	10-1/8" x 10-1/8"	12-3/8" x 12-3/8"
7"	11-1/8" x 11-1/8"	13-3/8" x 13-3/8"
8"	12-1/8" x 12-1/8"	14-3/8" x 14-3/8"

**Table 3**

## 2

## INTERIOR STRAIGHT INSTALLATION - SINGLE FLOOR (CONT'D)

Step 4: Place first chimney length into the support. Twist to lock into place. Wrap the insulation pad around the chimney section removing any excess. Slide insulation pad into the space between the chimney section and support making sure the insulation makes contact with the bottom of the support. Additional pieces of insulation can be loosely tucked down within corners. Do not compress insulation. This reduces effectiveness.

**NOTE:** If needed a Support Extension (SE) can be attached to the support to increase its height. See page 11.

**NOTE:** Make sure arrow on pipe label is pointing upward.

Step 5: Place the Square-to-Round Collar, included with the ceiling support, around the chimney on top of the square support. Make sure it completely covers the top of the square support.

Step 6: Stack the next chimney length on the first length. Be sure that the male and female threads are not in line when putting the lengths together. Turn the chimney clockwise to lock it in place. Continue until the required chimney height is reached.

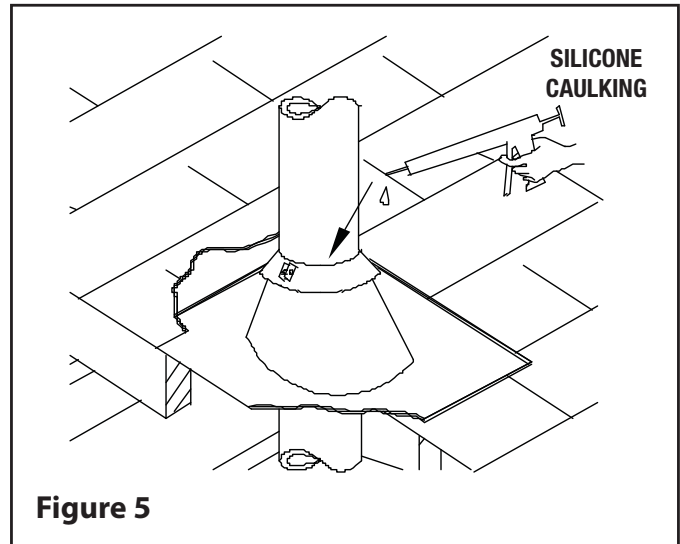
### Step 7: (USA ONLY) - ROOF RADIATION SHIELD

Install the Roof Radiation Shield in the roof joists. This shield consists of (4) metal plates supplied with the Roof Flashing. Nail one plate to each side of the joists using (2) - 2 1/2" nails.

### Step 8: ROOF FLASHING INSTALLATION

Put the roof flashing in place. Seal the joint between the roof and the flashing with roofing compound.

For sloping roofs, place the flashing under the upper shingles and on top of the lower shingles. Nail the flashing to the roof using nails. Place the storm collar around the chimney and slide down on top of the flashing.



Step 9: Tighten the collar using the supplied bolt. Make sure the joint is properly caulked (see Figure 5).

Step 10: Attach the rain cap to the top of the chimney.

# 3

## INTERIOR STRAIGHT INSTALLATION - MULTIPLE FLOOR

**IF USING THE REDUCED CLEARANCE SUPPORT (RCS), REFER TO PAGE 6 FOR DIMENSION AND COLLAR CAN BE DISCARDED.**

Step 1. Locate the chimney in a convenient place as near as possible to the appliance outlet.

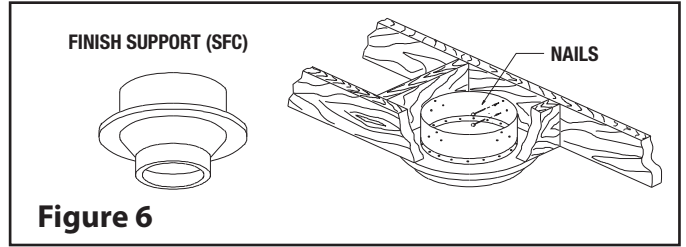
Step 2. Cut and frame the openings in the floor, ceiling and roof where the chimney will pass.

**NOTE:** It is important to follow the framing dimensions for the floor openings prescribed in this manual.

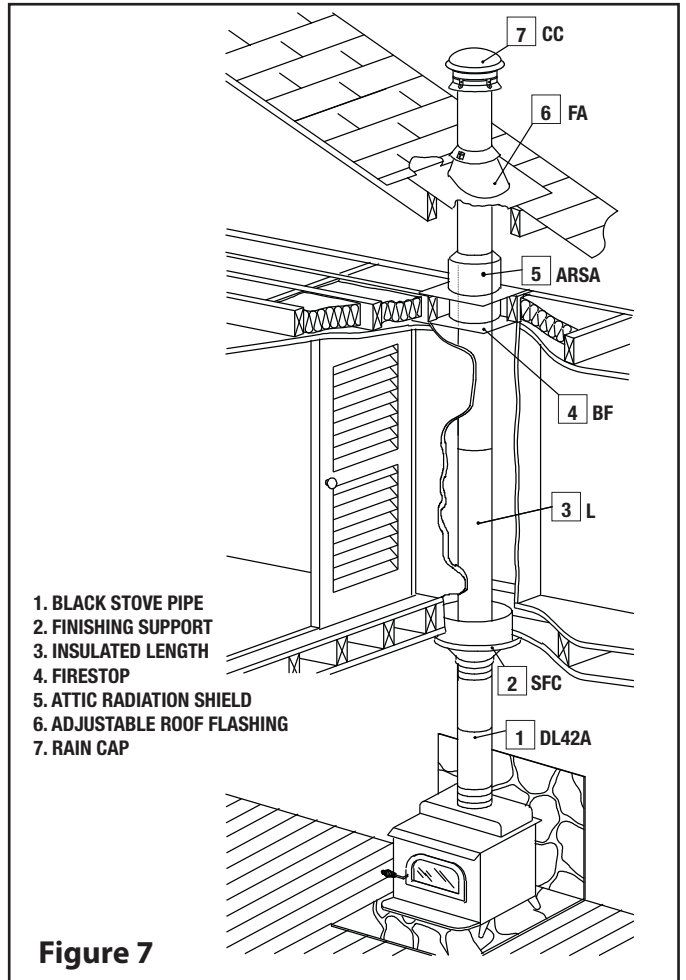
CHIMNEY SIZE	HOLE SIZE	
	FINISH SUPPORT (SFC)	RADIATION SHIELD & ROOF *
5"	12-1/8" x 12-1/8"	11-3/8" x 11-3/8"
6"	12-1/8" x 12-1/8"	12-3/8" x 12-3/8"
7"	14-3/8" x 14-3/8"	13-3/8" x 13-3/8"
8"	14-3/8" x 14-3/8"	14-3/8" x 14-3/8"
10"	---	16-3/8" x 16-3/8"

**Table 4**  
\* For sloping roofs see size Table 2 on page 3

Step 3. From below push the finish support into the framed opening. Nail or screw the support to the framed box using (12) 3" spiral nails or #8 x 1 1/2" wood screws (see Figure 6).



**Figure 6**



**Figure 7**



# 3

## INTERIOR STRAIGHT INSTALLATION - MULTIPLE FLOOR (CONT'D)

Step 4. Put this first chimney length in the support. Turn it clockwise to lock it in place (see Figure 7).

**NOTE:** Arrow on pipe label must be pointing up.

Step 5. From below, install a Firestop (BF) in each floor through which the chimney passes.

Step 6. Stack the next chimney length on the first length. Be sure that the male and female threads are not in line when putting the lengths together. Turn the chimney clockwise to lock it in place. You may add a 1/2" stainless steel self tapping screw to prevent accidental unlocking. Continue until the required chimney height is reached.

Step 7. At the attic level, install a Firestop (BF), from below and an Attic Radiation Shield (ARSA) and Storm Collar from above (see Figure 8).

**(USA ONLY)** Install the Roof Radiation Shield in the roof joists. This shield consists of four metal plates supplied with the roof flashing. Nail one plate to each side of the joist using (2) - 2 1/2" nails.

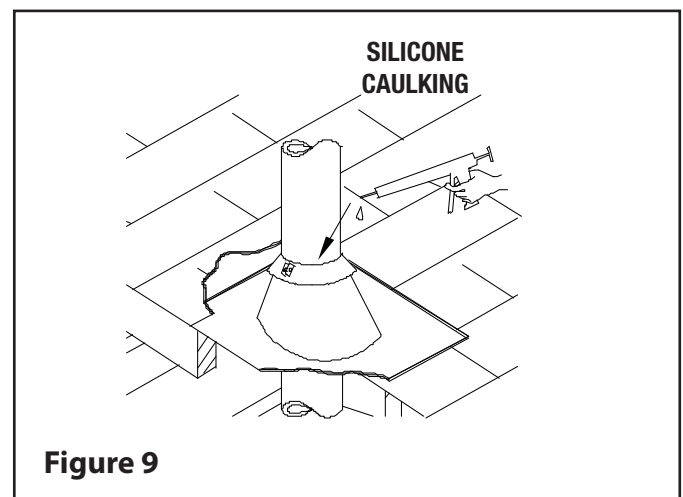
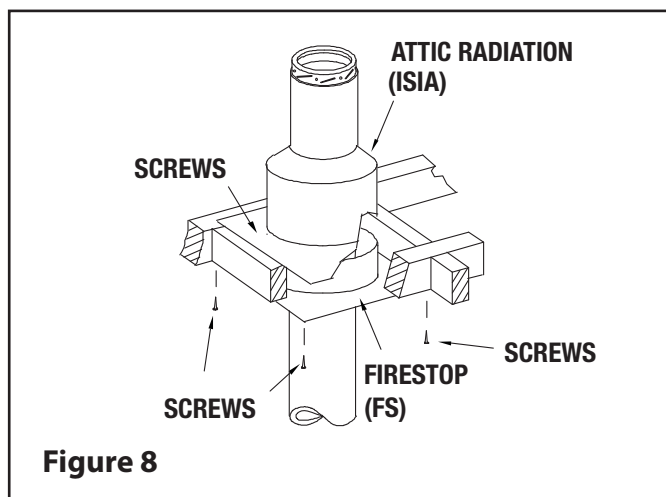
### Step 8. ROOF FLASHING INSTALLATION

Put the roof flashing in place. Seal the joint between the roof and the flashing with roofing compound.

For sloping roofs, place the flashing under the upper shingles and on top of the lower shingles. Nail the flashing to the roof using roofing nails.

Place the storm collar over the chimney and the flashing. Tighten it with the bolt supplied making sure the joint is properly caulked (see Figure 9).

Step 9. Attach the rain cap to the top of the chimney.



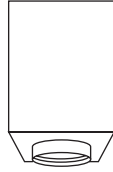
NOTE: DIAGRAMS & ILLUSTRATIONS ARE NOT TO SCALE.

# 4

## INTERIOR INSTALLATION CATHEDRAL CEILING

### REDUCED CLEARANCE SUPPORT (RCS)

**NOTE:** The Reduced Clearance Support (RCS) comes with a collar. It can be discarded for a Cathedral Ceiling application, it is not required.



RCS

Step 1: Locate the chimney in a convenient location as near as possible to the appliance outlet. Cut and frame an opening in the roof for the support (see Table 5). The sides of this hole must be vertical (see Figure 11).

Step 2: From above, place the support in the opening.

**NOTE:** The bottom portion of the support must extend below the ceiling. Distance will vary according to pitch (see Table 6). The minimum horizontal distance between the single wall stove pipe and the vertical surface is 18”.

Step 3: Use a level to ensure the support is vertical. If the support extends above the roof, cut it flush with the top of the roof. Attach the support to the framed opening using (12)-3” spiral nails or #8 x 1 1/2” wood screws (see Figure 10).

Step 4: Place first chimney length into the support. Twist to lock into place. Wrap the insulation pad around the chimney section removing any excess. Slide insulation pad into the space between the chimney section and support making sure the insulation makes contact with the bottom of the support. Additional pieces of insulation can be loosely tucked down within corners. Do not compress insulation. This reduces effectiveness.

Where desired, an extension (SE) is available for the support. This may be needed in steeper cathedral applications. Approved insulation can be used within the extension. It must be listed/compliant with ASTM E136/ULC S114 as non-combustible, have a melting temperature above 2000°F/1100°C, and be water resistant with low moisture

absorption. Materials such as rockwool or mineral wool qualify.

**IMPORTANT:** Approval to include additional insulation around the chimney applies only within the (RCS) and (SE) support extension. DO NOT attempt to field-insulate around the pipe at any other location or within any other uninsulated component offered by Security Chimney.

**TO CONTINUE INSTALLATION REFER TO STEP 6 ON PAGE 15.**

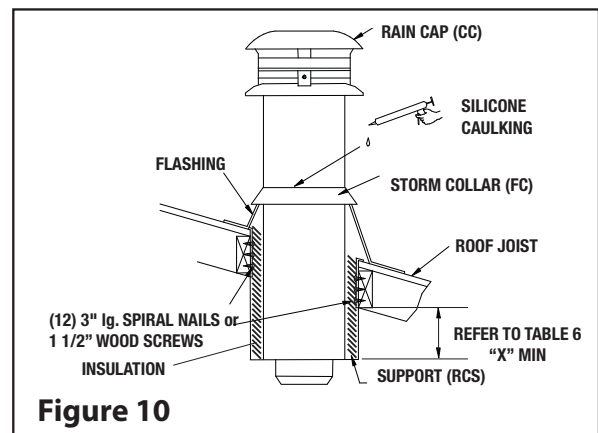


Figure 10

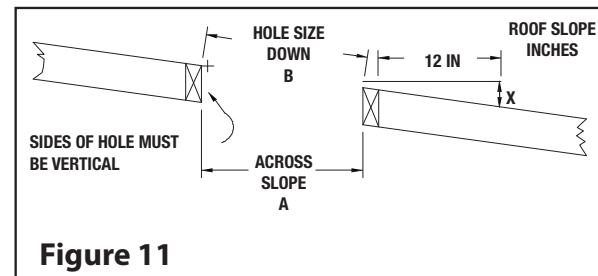


Figure 11

Chimney Size	Hole Size (Reduce Clearance Support)					
	6"		7"		8"	
Roof Slope	A	B	A	B	A	B
x/12						
0	10-1/8	10-1/8	11-1/8	11-1/8	12-1/8	12-1/8
2/12	10-1/8	10-1/4	11-1/8	11-1/4	12-1/8	12-1/4
4/12	10-1/8	10-5/8	11-1/8	11-3/4	12-1/8	12-3/4
6/12	10-1/8	11-1/4	11-1/8	12-1/2	12-1/8	13-1/2
8/12	10-1/8	12-1/8	11-1/8	13-1/4	12-1/8	14-1/2
10/12	10-1/8	13-1/4	11-1/8	14-1/2	12-1/8	15-7/8
12/12	10-1/8	14-1/4	11-1/8	15-3/4	12-1/8	17-1/8

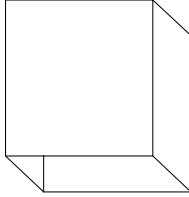
NOTE: ALL DIMENSIONS ARE IN INCHES. **Table 5**

# 4

## INTERIOR INSTALLATION CATHEDRAL CEILING (CONT'D)

### Reduce Clearance Support Extension (SE)

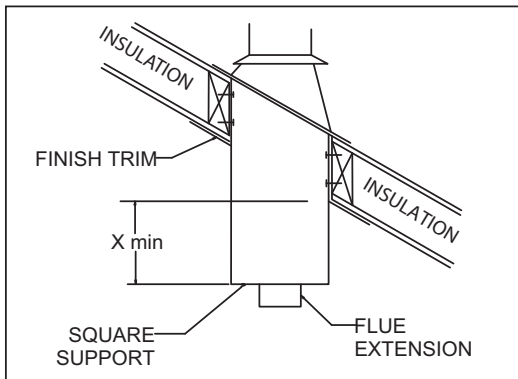
Steep pitched cathedral ceilings may require the use of a Support Extension (SE). This piece fits down inside the reduced clearance support and can be adjusted to increase the support's length by up to 22".



SE

The extension is attached to the support using the eight metal screws provided. Be sure there is at least a 2" overlap where the extension joins the support.

**NOTE:** Refer to Step 4 (page 10) regarding additional insulation required with this extension.



Slope	X min
0/12 - 2/12	3 1/2"
2/12 - 7/12	5 1/2"
7/12 - 12/12	6 3/4"
12/12 - 24/12	7 1/2"
24/12	12 1/2"

**Table 6**

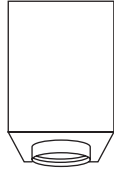
# 4

## INTERIOR INSTALLATION WITH CATHEDRAL CEILING (CONT'D)

### SQUARE SUPPORT (SSC24)

This support is similar in application and installation as the Reduced Clearance Support. Install it using the instructions on page 11 (refer to Figure 13 for visual references).

Approved insulation can be used within the extension and support surrounding the chimney. It must be listed/compliant with ASTM E136/ULC S114 as non-combustible, have a melting temperature above 2000°F/1100°C, and be water resistant with low moisture absorption. Materials such as rockwool qualify.



SSC24

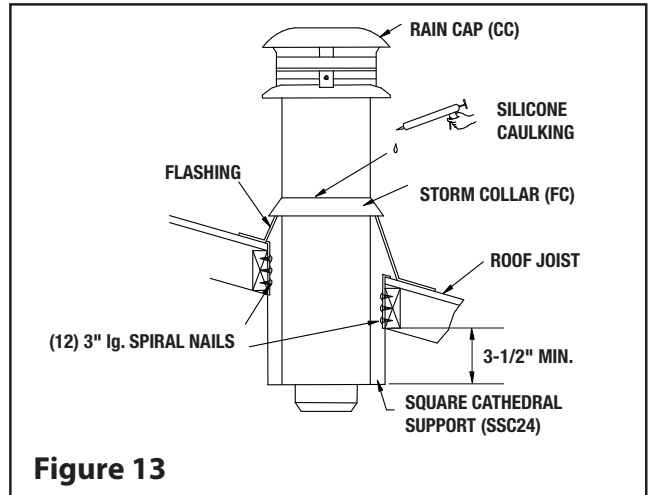
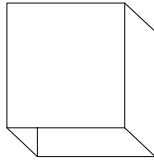


Figure 13

### SUPPORT EXTENSION (PS24) (For Square Support only)

Steep pitched cathedral ceilings may require the use of a Square Support extension (PS24). This piece fits down inside the square support and can be adjusted to increase the support's length by up to 22"



PS24

The extension is attached to the support using the eight metal screws provided. Be sure there is at least a 2" overlap where the extension joins the support.

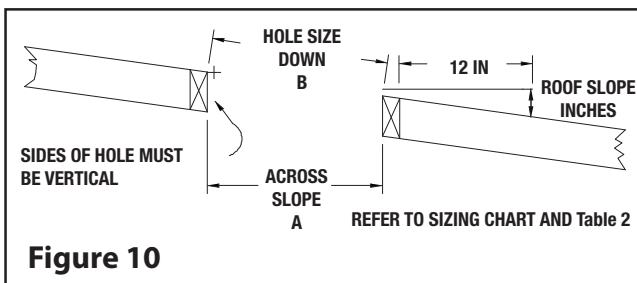


Figure 10

# 5

## OFFSET DEVIATION

### OFFSET CHIMNEY

It may be necessary to offset the chimney to clear an obstruction such as a joist or truss, or to position the chimney close to the ridge cap. A maximum of two offsets (4 elbows in all) is allowed in a chimney. The chimney must not be inclined more than 30° from vertical 45° **(Canada Only)**.

The minimum chimney height when using 15° offsets is 10'.

The minimum chimney height when using 30° or 45° offsets is 15'.

The maximum length of unsupported offset chimney is 6'. If the offset chimney is longer than 6', then it must be supported at 6' intervals using an Offset Support (SO-2) or Wall Band (BM).



### WARNING

**A support must always be installed right above each offset (two elbows) to support the chimney above the offset.**

### INSTALLATION INSTRUCTIONS

Install the required support and the chimney as described in the previous pages of installation instructions. When you reach the height at which the elbow will be installed, proceed as follows:

Step 1. Install the insulated offset elbow on the vertical chimney length. Turn it in the required direction and fasten it to the chimney with the (4)-1/2" metal screws provided.

Step 2. Place the required offset chimney length (see Table 7 below) on the elbow. Turn it clockwise to lock it in place.

Step 3. Use another elbow to turn the chimney vertically. Again secure the elbow to the chimney length using the (4)-1/2" metal screws.

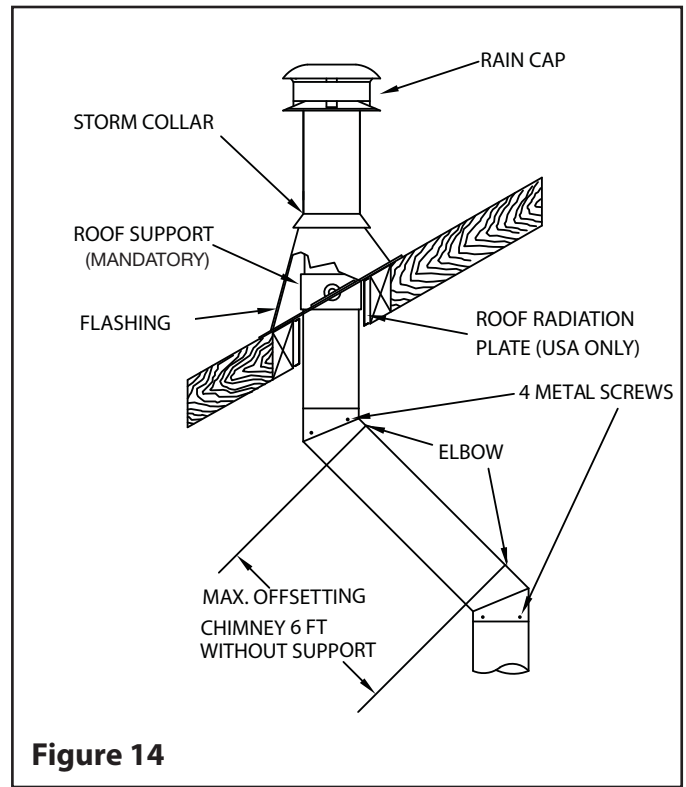


Figure 14

Step 4. Install the remaining chimney as described in the instructions for the Roof Support (See page 15).

### INSTALLATION CALCULATIONS

Determine the offset required in view of the obstacles that must be avoided (see Figure 14). Refer to Table 7 to determine the elbows required as well as the insulated length needed. If required, an adjustable length can be used to offset exact distance required.

# 5

## OFFSET DEVIATION (CONT'D)

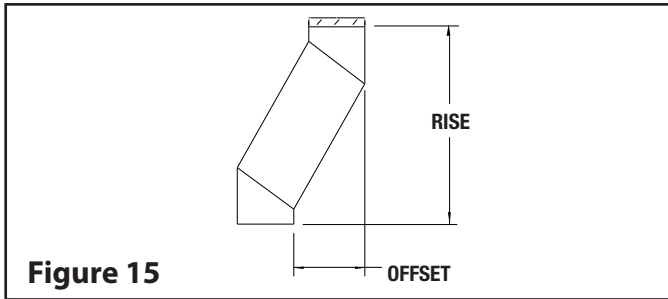


Figure 15

### OFFSET & RISE CHART MODEL ASHT (5" - 10")

ANGLE	DIA.	INCHES	ONE LENGTH BETWEEN ELBOWS						TWO LENGTHS BETWEEN ELBOWS					
			8	12	18	24	36	48	8 & 48	12 & 48	18 & 48	24 & 48	36 & 48	48 & 48
15°	5" - 10"	Offset	3-5/16	4-5/16	5-7/8	7-7/16	10-1/2	13-5/8	15-3/8	16-7/16	18	19-1/2	22-5/8	25-3/4
		Rise	15-11/16	19-9/16	25-3/8	31-3/16	42-3/4	54-3/8	60-15/16	64-13/16	70-9/16	76-3/8	87	99-9/16
30°	5" - 10"	Offset	7-7/16	9-7/16	12-7/16	15-7/16	21-7/16	27-7/16	30-13/16	32-13/16	35-13/16	38-13/16	44-13/16	50-13/16
		Rise	20	23-1/2	28-11/16	33-7/8	44-1/4	54-11/16	60-9/16	64	69-1/4	74-7/16	84-13/16	95-1/4
45° (Canada Only)	5" - 10"	Offset	10-5/16	13-3/16	17-3/8	21-5/8	30-1/8	38-5/8	43-7/16	46-1/4	50-1/2	54-3/4	63-1/4	71-11/16
		Rise	17-13/16	20-5/8	24-7/8	29-1/8	37-5/8	46-1/8	50-15/16	53-3/4	58	62-1/4	70-3/4	79-3/16

Note: All dimensions are in inches.

Table 7

# 6

## EXTERIOR INSTALLATION

### ROOF SUPPORT (ST)

The Roof Support has three possible uses:

It may be used to support a chimney from the roof. It adjusts to any roof pitch.

It may be used on a floor, ceiling or roof above an offset to support the chimney above the offset.

It may be used on a floor, ceiling or roof as a supplementary support when the chimney height exceeds that of the primary support. (See maximum length height supported, page 3).

### INSTALLATION INSTRUCTIONS

With the chimney extending through the opening in the roof, ceiling or floor proceed as follows (Refer to Figure 17 for visual references):

Step 1. **(USA ONLY)** Install the roof radiation shields in the roof joists. These shields consist of four metal plates. Nail one plate to each side of the joist using (2) 2-1/2" nails.

Step 2. Assemble the Roof Support's Collar to fit your chimney diameter. Continue to assemble the support as described in the instructions supplied with the support.

Step 3. Slip the assembled Roof Support down over the stainless steel chimney until its brackets rest on the roof or floor. Tighten the collar around the chimney, (see Figure 16).

Step 4. Center the chimney and nail or screw the support to the roof or floor using (8) - 2-1/2" nails or (8) N°. 8 - 1-1/4" wood screws. (Figure 16).

Step 5. Install the remaining chimney lengths, until the required chimney height is reached.

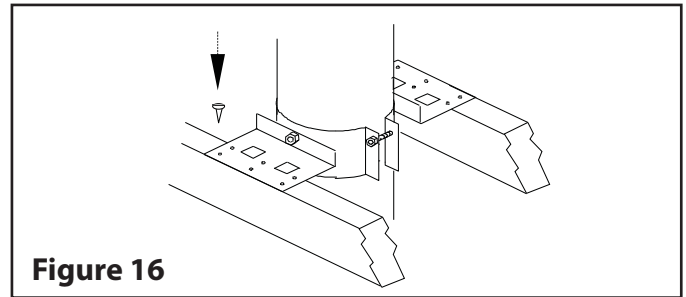


Figure 16

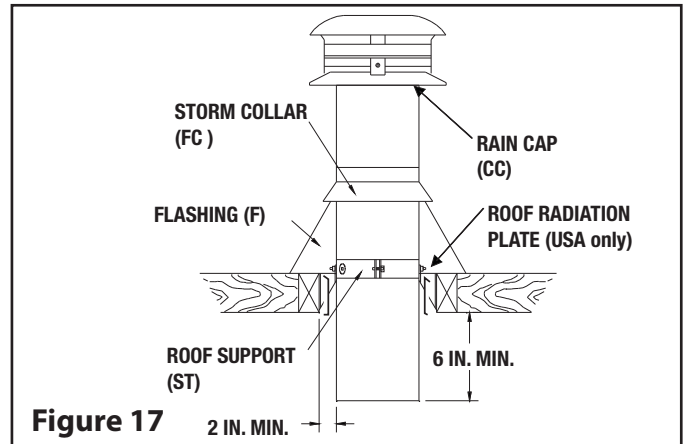


Figure 17

### Step 6. **ROOF FLASHING INSTALLATION**

Put the roof flashing in place. Seal the joint between the roof and the flashing with roofing compound.

For sloping roofs, place the flashing under the upper shingles and on top of the lower shingles. Nail the flashing to the roof using nails. Place the storm collar around the chimney and slide down on top of the flashing. Tighten it with the bolt supplied making sure the joint is properly caulked (see Figure 9).

Step 7. Refer to page 3 for Cap installation.

# 6

## EXTERIOR INSTALLATION

This chimney will provide optimum performance when installed within the heated space of a building. The consequences of installing the chimney outdoors, up the exterior wall of a building could result in:

- Back-drafting during cold weather when the connected appliance is not operating
- Weak, unstable draft
- Increased creosote accumulation
- Increased potential for condensation of water vapor in the chimney flue

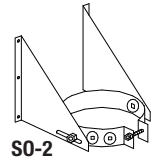
### INSTALLATION NOTES

1. The chimney may be enclosed or unenclosed.
2. Maintain 2" clearance to combustible materials. Do not fill the 2" space around the chimney with insulation or any other material.
3. A Wall Strap or Re-Support must be used to secure the chimney to the wall when used on an exterior wall. Maximum distance between wall bands is 8'.
4. The horizontal chimney length passing through the wall must project a minimum of 5" and no more than 24" beyond the inside wall. Minimum projection is required to ensure appropriate clearances are maintained once stovepipe is installed.
5. If an exterior installation is to be enclosed, allow for access to base of tee to facilitate required cleaning.
6. The minimum distance between the bottom of the Tee or Support and any horizontal combustible is 2" by using an insulated tee cap (TCI).
  - Decreased efficiency of the connected appliance

If you do install an exterior chimney, we recommend

### RE-SUPPORT

When a chimney is used along a wall, this support may be used to support the chimney. The height of chimney supported is shown in supported height See Table 1.



### INSTALLATION INSTRUCTIONS

Install the support as follows (see Figure 18):

- Step 1. Assemble the collar to fit your chimney diameter. Continue to assemble the support as described in the instructions supplied with the support.
- Step 2. Slip the support down over the chimney to the proper location.
- Step 3. Tighten the collar around the chimney.
- Step 4. Attach the support brackets to the wall using (8) 3" nails or (8) N°. 10 x 1-1/4" wood screws.

**NOTE:** Be sure that the support attaches to a framing and not merely to dry wall or siding.

- Step 5. Continue installing the chimney.

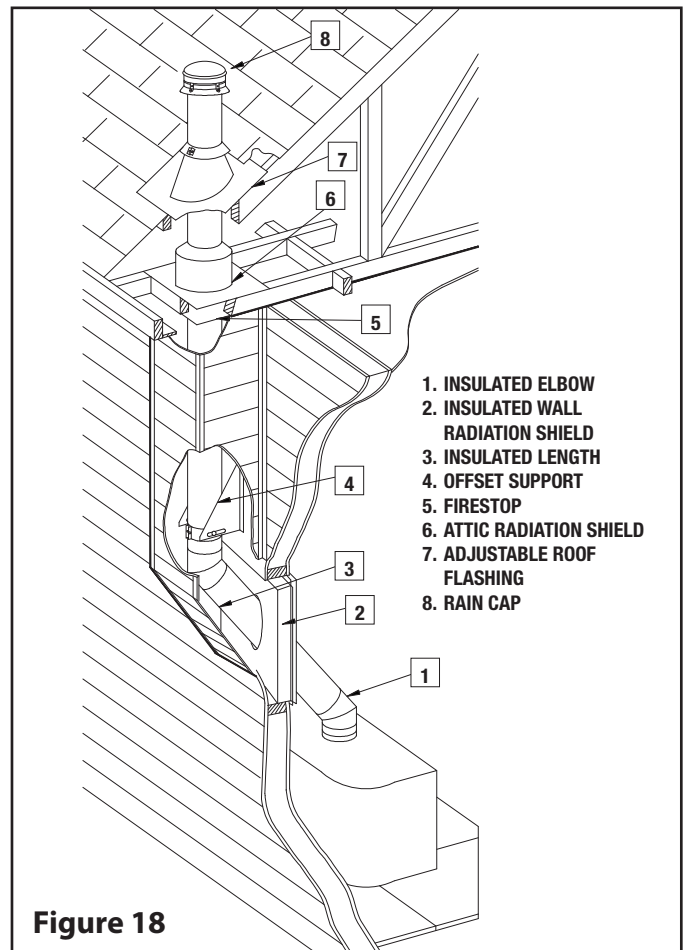


Figure 18

NOTE: DIAGRAMS & ILLUSTRATIONS ARE NOT TO SCALE.



# 6

## EXTERIOR INSTALLATION (CONT'D)

### WALL SUPPORT

that you enclose it using an insulated enclosure.

#### INSTALLATION INSTRUCTIONS

Step 1. Determine where the chimney will pass through the wall.

- For concrete walls cut an opening slightly larger than the chimney.
- For combustible walls cut and frame a hole 4" larger than the chimney, midway between the wall studs (see Table 8 below for sizing).

Normally wall studs are placed at 16" on center. With the hole midway between them, the support will fasten to these studs and thus ensure a strong attachment to the wall (see Figure 20).

Step 2. Wood walls: Place the exterior half of the Wall Thimble (RSM) in the opening from the outside. Nail in place using (4) 2" nails or 1" screws. This Wall Thimble is adjustable from 7" to 12" (see Figure 21). Make sure the insulation pad is cut to the desired length according to the wall thickness. Place the interior half of the Wall Thimble inside the exterior half of the Wall Thimble. For a wall requiring more than 12", a shield extension can be field fabricated using galvanized sheet metal 26 gauge minimum.

Ensure the opening for the chimney to pass through is straight and level. Screw the outer thimble in place with the provided screws (see Figure 22).

**NOTE:** The cavity surrounding the wall thimble metal shield can be filled with insulation (see Figure 22).

CHIMNEY SIZE	OPENING SIZE	
	COMBUSTIBLE	CONCRETE
5"	11" x 11"	7-3/4"
6"	12" x 12"	8-3/4"
7"	13-3/8" x 13-3/8"	9-3/4"
8"	14-3/8" x 14-3/8"	10-3/4"
10"	16-3/8" x 16-3/8"	12-3/4"

Table 8

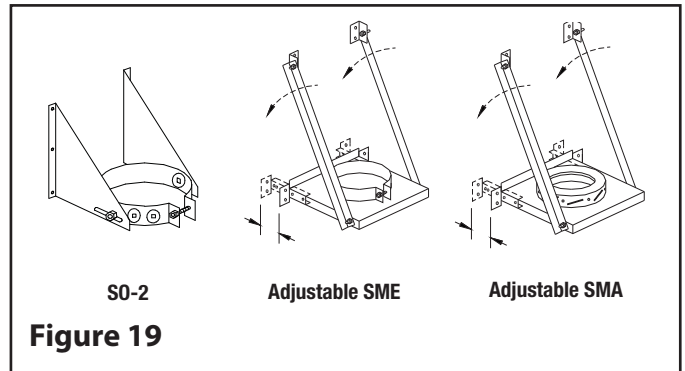


Figure 19

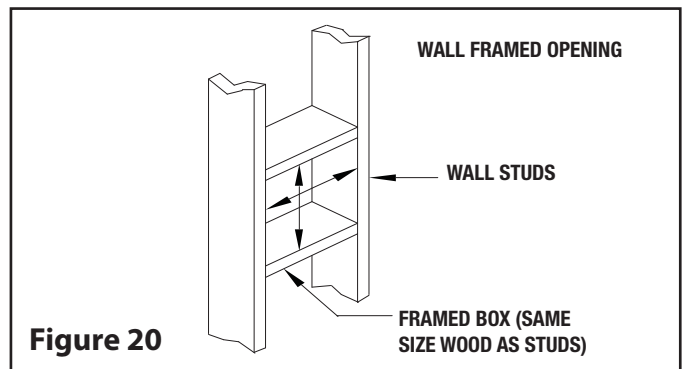


Figure 20

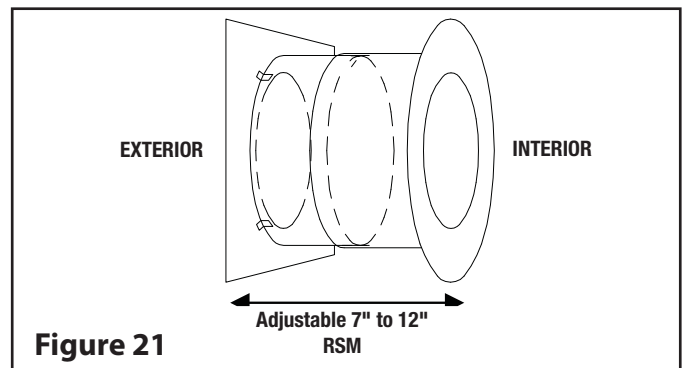


Figure 21

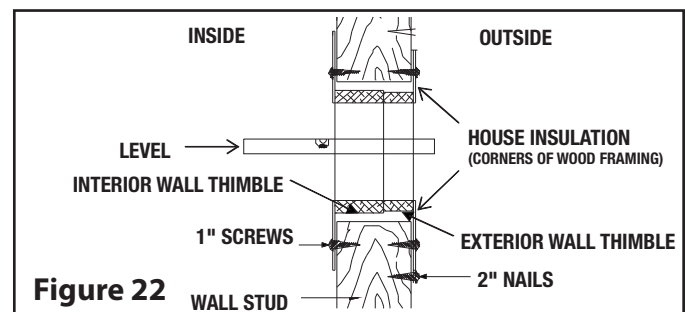


Figure 22

# 6

## EXTERIOR INSTALLATION (CONT'D)

Step 3. The minimum length of insulated chimney required to pass through the wall will be thickness plus 7". The insulated chimney must extend at least 5" into the room beyond the finished wall. Insert this chimney length in the side branch of the insulated tee. Turn it clockwise to lock it in place. Seal this joint by wrapping it with the aluminum tape supplied with the tee. Mount the insulated tee on the support so that the chimney length which will go through the wall is perpendicular to the side of the support that will fasten to the wall.

**NOTE:** The supports (SO or SME) can be installed above the Tee. (See Figure 24A).

Step 4. This step will require 2 people: (see Figure 23). Insert the chimney length of this tee-support assembly into the hole in the wall. Using a level, ensure the tee is vertical, then attach the support to the wall using (8) N°. 10 x 1 - 1/4" wood screws or 4" spiral nails.

**NOTE:** To provide sufficient strength, the nails must be driven into the wall studs. For concrete walls, the support should be attached using (8) 1/4" x 2" lag bolts.

Step 5. Attach the clean-out cap to the Tee Support or Tee.

Step 6. Attach the flue extension to the horizontal chimney length.

Step 7. Stack a chimney length on top of the Tee. Turn it clockwise to lock it in place. Continue until the required chimney height is reached.

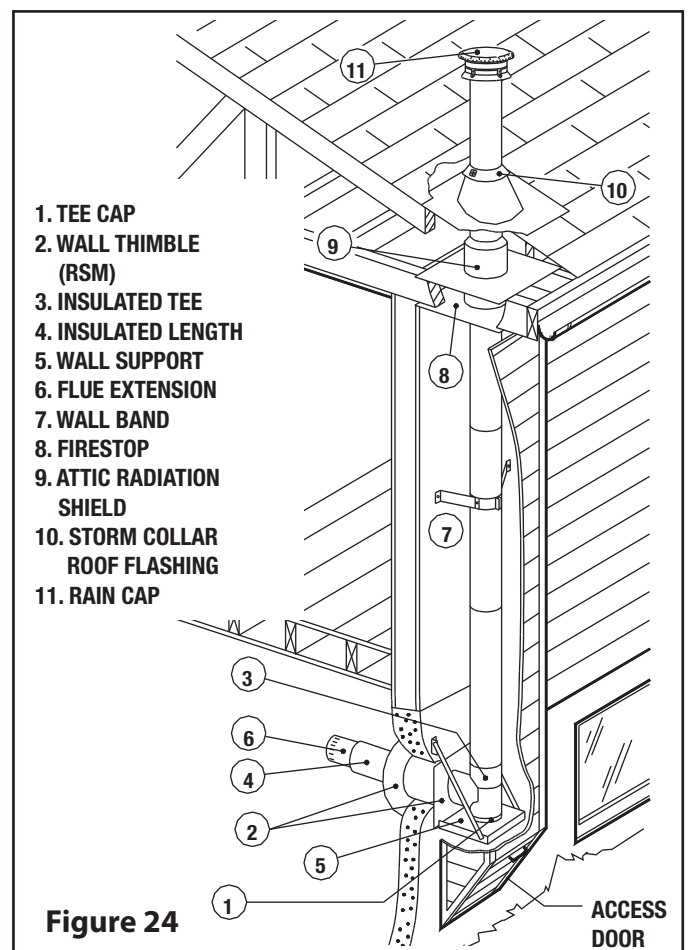
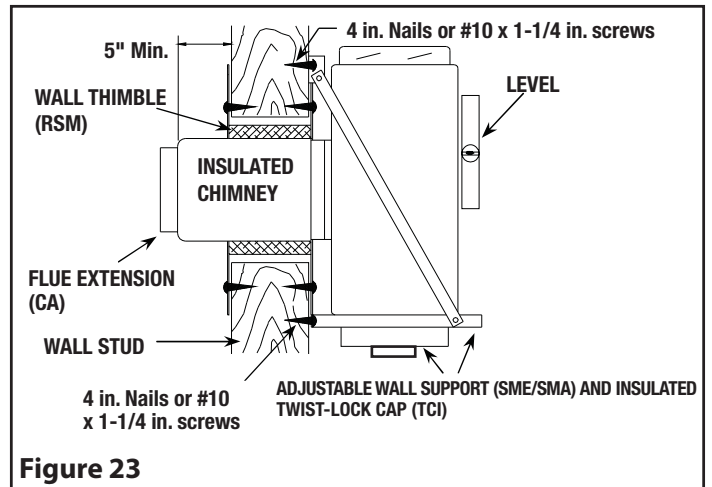
**NOTE:** At 8' intervals, attach the chimney to the wall using a Wall Strap or Re-Support.

Step 8. If the chimney passes through the roof, cut a hole large enough to provide 2" clearance between the chimney and the roof. For pitch roof, see chart on page 4.

### (FOR US Installs ONLY)

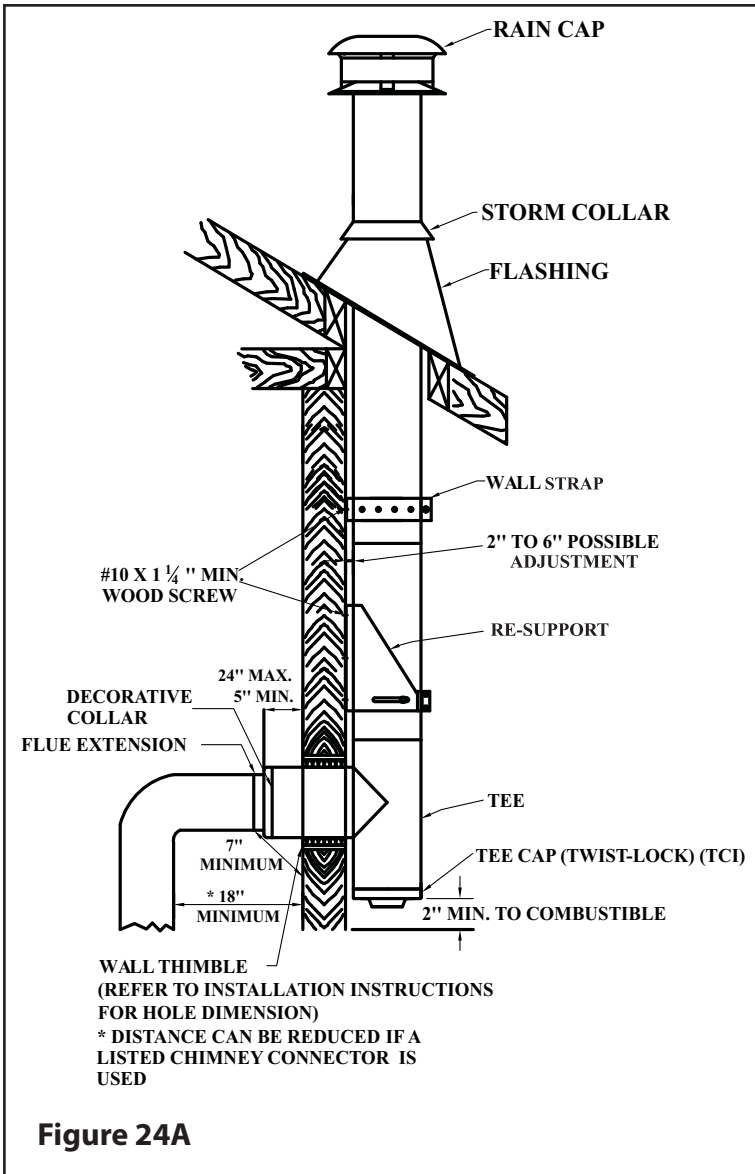
Install the Roof Radiation Shield in the roof joist.

To continue, SEE STEP 8, on page 8.



# 6

## EXTERIOR INSTALLATION (CONT'D)



# 7

## INTERIOR INSTALLATION ON A FURNACE, BOILER, OR WATER HEATER

Step 1. Locate the chimney in a convenient place as near as possible to the appliance outlet. Cut and frame the opening in the ceiling where the chimney will pass.

**NOTE:** It is important to follow the framing dimensions for the floor openings prescribed in this manual.

**Refer to Table 1 for proper framing dimensions.**

Step 2. From below push the support into the framed hole. Nail the support to the framed box using (12) 3" spiral nails or #8 x 1 1/2" wood screws (see Figure 25).

Step 3. Put this first chimney length in the support. Turn it clockwise to lock it in place.

**NOTE:** Arrow on pipe label must be pointing up.

Step 4. From below, install a Firestop (BF) in each floor through which the chimney passes (see Figure 26).

Step 5. Stack the next chimney length on the first length. Be sure that the male and female threads are not in line when putting the lengths together. Turn the chimney clockwise to lock it in place. Continue until the required chimney height is reached.

Step 6. At the attic level, install a Firestop (BF), from below and an Attic Radiation Shield (ARSA) from above (see Figure 27).

Step 7. **(USA ONLY)** Install the roof radiation shields in the roof joists. These shields consist of four metal plates. Nail one plate to each side of the joist using (2) 2-1/2" nails.

Step 8. Put the roof flashing in place. Seal the joint between the roof and the flashing with roofing compound.

For sloping roofs, place the flashing under the upper shingles and on top of the lower shingles. Nail the flashing to the roof using roofing nails.

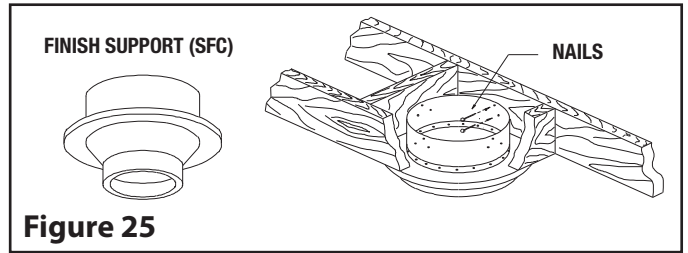


Figure 25

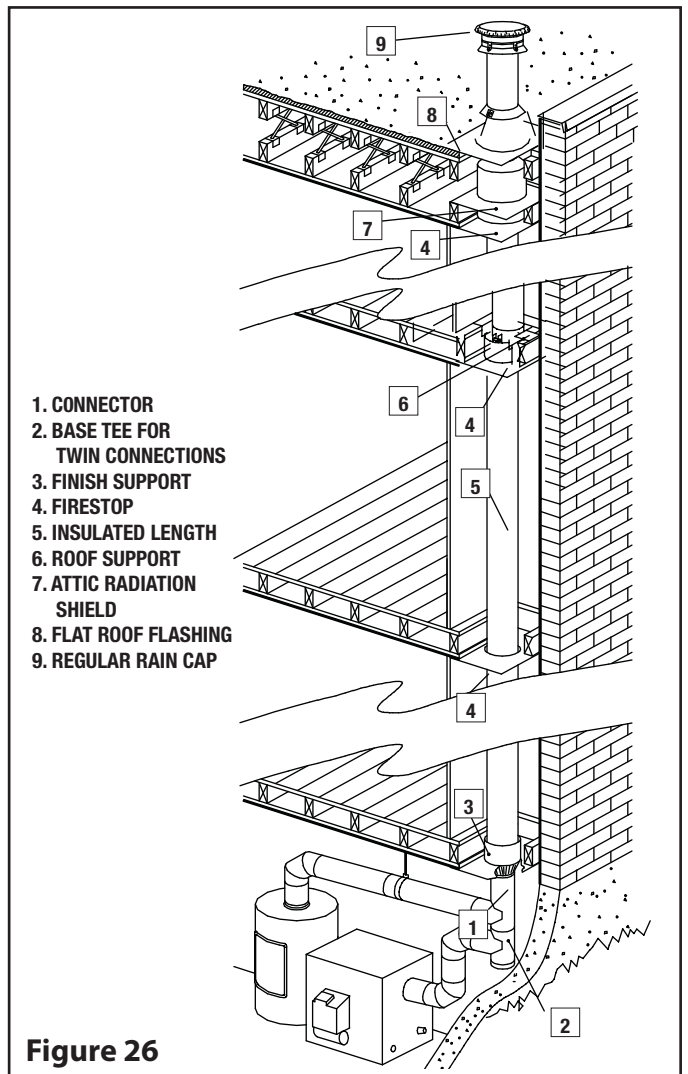


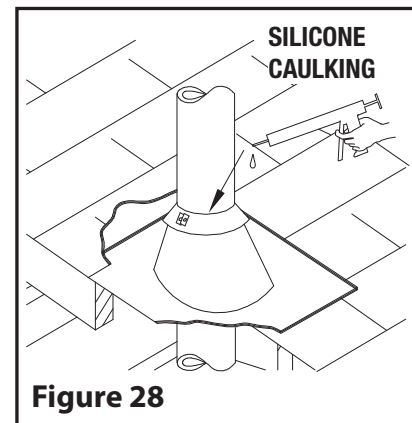
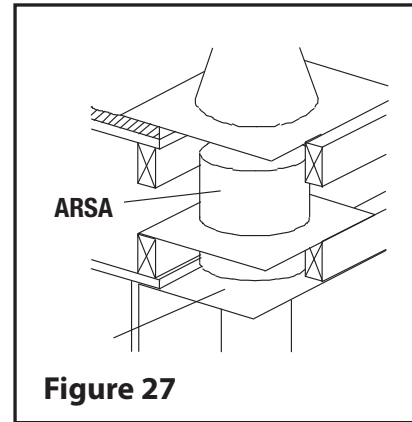
Figure 26

# 7

## INTERIOR INSTALLATION ON A FURNACE, BOILER, OR WATER HEATER (CONT'D)

Step 9. Place the storm collar over the chimney and the flashing. Tighten it with the bolt supplied making sure the joint is properly caulked (see Figure 28).

Step 10: Attach the rain cap to the top of the chimney.

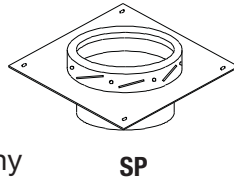


# 8

## SPECIALIZED COMPONENTS

### ANCHOR PLATE (SP)

This support is used on a factory built fireplace or masonry on top of a furnace to provide a positive connection to the chimney. It is not to be used in contact with any combustible material, such as on a wood floor.



SP

### INSTALLATION INSTRUCTIONS

Once the appliance is installed, bolt the Anchor Plate (SP) to it (see Figure 29).

### FACTORY-BUILT FIREPLACES

For chimneys installed on factory-built fireplaces, follow the installation instructions accompanying the fireplace.

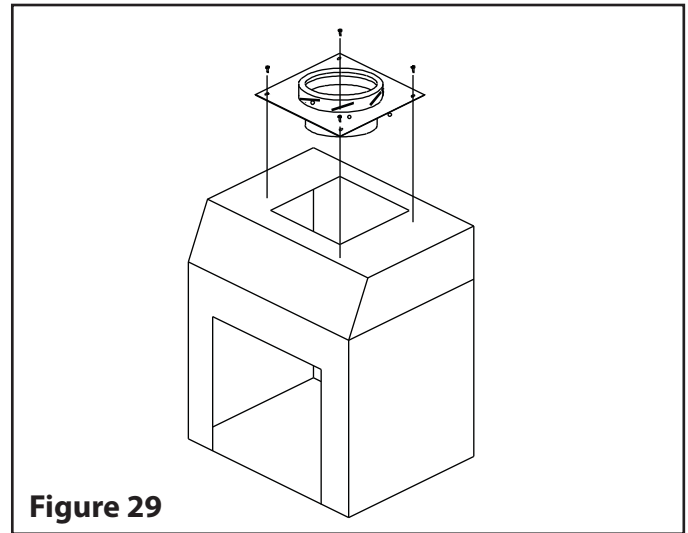


Figure 29

### INSULATED WALL RADIATION SHIELDS

These are used only with wood-burning fireplaces which have been certified for use with ASHT.

### ANGLED INSULATED RADIATION SHIELD (RSMI30°/RSMI45°)

It has been designed for use when a chimney passes through a wall at an angle (see Figure 30).

Ref Table 9.

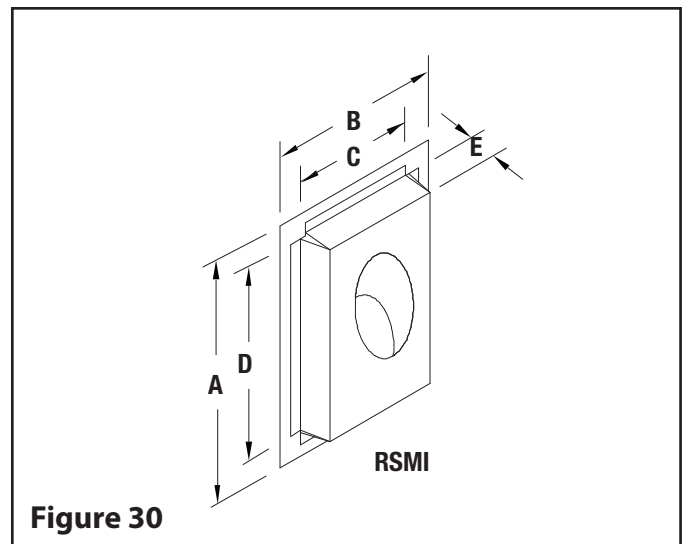


Figure 30

	SIZE					
	RSMI30			RSMI45 (CANADA ONLY)		
	7"	8"	10"	7"	8"	10"
A	37-3/4	39-3/4	45-5/16	26-5/8	28	30-1/2
B	16-5/8	17-5/8	19-3/8	16-5/8	17-5/8	19-3/8
C	12-5/8	13-5/8	15-3/8	12-1/8	13-1/2	14-7/8
D	33-3/4	35-3/4	39-1/4	22-1/8	23-1/2	26
E	3	3	3	3	3	3

Table 9

# 9

## REPLACEMENT PARTS



LENGTHS & FITTINGS	
ØL8-2	LENGTH Ø" X 8"
ØL12-2	LENGTH Ø" X 12"
ØL18-2	LENGTH Ø" X 18"
ØL24-2	LENGTH Ø" X 24"
ØL36-2	LENGTH Ø" X 36"
ØL48-2	LENGTH Ø" X 48"
ØLA-2	ADJUSTABLE LENGTH, 12"
ØTI-2	TEE WITH TEE CAP (TWIST LOCK)
ØTCI	INSULATED TEE CAP (TWIST LOCK)
ØTB	BASE TEE GALVANIZED (TC INCLUDED)
ØTBS	BASE TEE STAINLESS (TC INCLUDED)
ØTC	BASE TEE CAP GALVANIZED
ØE15-2	INSULATED ELBOW 15 DEGREE
ØE30-2	INSULATED ELBOW 30 DEGREE
ØE45-2	INSULATED ELBOW 45 DEGREE
SUPPORTS	
ØSSC24	SQUARE CATHEDRAL SUPPORT 24"
PS24	SQUARE SUPPORT EXTENSION 24"
ØSFC	FINISHING SUPPORT W/COUPLER
ØSFCA	FINISHING SUPPORT W/COUPLER WITH REMOVABLE COLLAR
ØRCS	REDUCE CLEAR. SUPPORT INS. 24"
ØSE	SQUARE SUPPORT EXTENSION 24"

# 9

## REPLACEMENT PARTS



ØSME	ADJUSTABLE TEE SUPPORT
SO-2	WALL SUPPORT
ST	ROOF SUPPORT
ØSD	FLOOR SUPPORT
ØSP	ANCHOR PLATE

### BRACES & FIRESTOPS



ØBF	FIRESTOP
ØRSM30	ANGLED FIRESTOP - 30 DEGREE
ØRSM45	ANGLED FIRESTOP - 45 DEGREE
ØRS	RADIATION SHIELD
ØRSRE	PASS-THROUGH RAD. SHIELD (INSULATED CHIMNEY)
ØARSA	ADJUSTABLE INSULATED ATTIC RADIATION SHIELD
ØRSI	INSULATED RADIATION SHIELD
ØRSM-2	INSULATED WALL THIMBLE
ØCA	FLUE EXTENSION
ØRSMI30	INSULATED WALL RADIATION SHIELD - 30 DEGREE
ØRSMI45	INSULATED WALL THIMBLE - 45 DEGREE
BS2	UNIVERSAL ROOF BRACE
BM-2	UNIVERSAL WALL BAND
ØBH	GUY WIRE BAND (WIRE NOT INCLUDED)



### VENTED FLASHING (STORM COLLAR INCLUDED)



ØF	FLAT ROOF FLASHING
ØFA	ADJUSTABLE ROOF FLASHING 1/12 -7/12



# 9

## REPLACEMENT PARTS



ØFB	ADJUSTABLE ROOF FLASHING 8/12 -12/12
ØFBB	ADJUSTABLE ROOF FLASHING 12/12 -21/12
ØFP	PEAK ROOF FLASHING 1/12 -7/12
ØFPB	PEAK ROOF FLASHING 8/12 -12/12
ØFAA	ADJUSTABLE ROOF FLASHING 1/12 TO 7/12, ALUMINUM MALLEABLE
ØFBA	ADJUSTABLE ROOF FLASHING 8/12 TO 12/12, ALUMINUM MALLEABLE
ØFC	STORM COLLAR
FSD	FLASHING SNOW DIVERTER
<b>OTHERS</b>	
ØCC	RAIN CAP
PE	UNIVERSAL SPARK ARRESTER BAND
ØPB	ASHT DECORATIVE COLLAR, SINGLE-WALL STOVE PIPE
ØDQDH	ASHT DECORATIVE COLLAR, DOUBLE-WALL STOVE PIPE
6AW7	INCREASER ADAPTOR 6" TO 7"
ØPF	DECORATIVE TRIM
<b>INSTALLATION KITS</b>	
ØWSK-2	WALL SUPPORT KIT (INCLUDES: 1 OF EACH ØTCI, ØRSM-2, ØT90, ØCA, ØDQDH, BM-2, SO-2, ØCC)
ØIKNC-2	INTERIOR KIT NEW CONSTRUCTION (INCLUDES: 1 OF EACH ØSFCA, ØARSA, ØCC)

To order a replacement part, please reach out to your nearest dealer, distributor, or to [customer.service@securitychimneys.com](mailto:customer.service@securitychimneys.com)

**SECURITY CHIMNEYS INTERNATIONAL, LTD.  
RESIDENTIAL CHIMNEY & VENTING PRODUCT  
LIMITED LIFETIME WARRANTY**

**THE WARRANTY**

This Security Chimneys International, Ltd. (SCIL) Limited Lifetime Warranty warrants your residential vent and/or chimney system to be free from defects in material and workmanship at the time of manufacture. This Limited Lifetime Warranty includes all components and fittings, except termination caps and Secure Black™ SW single wall black stove pipe. After installation, if covered components manufactured by SCIL are found to be defective in materials or workmanship during the Limited Lifetime Warranty period and while the Product remains at the site of the original installation, SCIL will, at its option, replace the covered components. SCIL reserves the right to replace covered components with an equivalent product and the replacement must be carried out in accordance with SCIL's recommendations. If replacement is not commercially practical, SCIL will, at its option, refund the purchase price or wholesale price of the SCIL product, whichever is applicable. THERE ARE EXCLUSIONS AND LIMITATIONS to this Limited Lifetime Warranty as described herein.

**COVERAGE COMMENCEMENT DATE**

Warranty coverage begins on the date of installation. In the case of new home construction, warranty coverage begins on the date of first occupancy of the dwelling or six months after the sale of the Product by an independent SCIL dealer/distributor, whichever occurs earlier. The warranty shall commence no later than 24 months following the date of product shipment from SCIL, regardless of the installation or occupancy date.

**EXCLUSIONS AND LIMITATIONS**

This Limited Lifetime Warranty applies only if the Product is installed in the United States or Canada and only if used for the application for which it was designed and intended. The Product must be maintained in accordance with the printed instructions accompanying the Product and in compliance with all applicable installation and building codes and good trade practices.

This warranty is transferable. The Product must be purchased through a listed supplier of SCIL and proof of purchase must be provided. SCIL will be responsible for the replacement of the residential vent and/or chimney system considered to be defective for the following periods:

Termination Caps & Secure Black SW Stove Pipe – Replacement at no charge for 5 years from the date of installation, excluding labor

Components and fittings (excludes termination caps and Secure Black SW) –

Year 1-15 – Replacement of all components and fittings (a labor allowance may apply to a maximum of 300 \$ \* certain conditions apply).

Year 16 – Replacement at 50% off of the prevailing list price in effect at the time of replacement (No labor allowance applies).

\*Labor Allowance Conditions: Any Warranty replacement work must be performed by a Professional Installer.

SCIL will not be responsible for: (a) damages caused by normal wear and tear, corrosion from salt air, accident, riot, fire, flood or acts of God; (b) damages caused by abuse, negligence, misuse, or unauthorized alteration or repair of the Product affecting its stability or performance. (The Product must be subject to normal use with approved fuels listed in the Operation Manual provided with the product. Where applicable, fuel products with abnormal burning characteristics, including but not limited to fuel such as driftwood, plywood and wood products using a binder may burn at excessive temperatures and may cause damage to the Product or may cause it to function improperly; (c) damages caused by failing to provide proper maintenance and service in accordance with the instructions provided with the Product; (d) damages, repairs or inefficiency resulting from faulty installation or application of the Product.

This Limited Lifetime Warranty covers only parts as provided herein. SCIL's entire liability is limited to the purchase price of this product. In no case shall SCIL be responsible for materials, components or construction which are not manufactured or supplied by SCIL or for the labor necessary to install, repair or remove such materials, components or construction. Additional utility bills incurred due to any malfunction or defect in equipment are not covered by this Limited Lifetime Warranty. All replacement or repair components will be shipped F.O.B. from the nearest stocking SCIL factory.

**LIMITATION ON LIABILITY**

It is expressly agreed and understood that SCIL's sole obligation and the purchaser's exclusive remedy under this warranty, under any other warranty, expressed or implied, or in contract, tort or otherwise, shall be limited to replacement, repair, or refund, as specified herein.

In no event shall SCIL be liable for any incidental or consequential damages caused by defects in the Product, whether such damage occurs or is discovered before or after replacement or repair, and whether such damage is caused by SCIL's negligence. SCIL has not made and does not make any representation or warranty of fitness for a particular use or purpose, and there is no implied condition of fitness for a particular use or purpose.

SCIL makes no expressed warranties except as stated in this Limited Lifetime Warranty. The duration of any implied warranty is limited to the duration of this expressed warranty.

No one is authorized to change this Limited Lifetime Warranty or to create for SCIL any other obligation or liability in connection with the Product. Some states and provinces do not allow the exclusion or limitation of incidental or consequential damages, so the above limitations or exclusions may not apply to you. The provisions of this Limited Lifetime Warranty are in addition to and not a modification of or subtraction from any statutory warranties and other rights and remedies provided by law.

**INVESTIGATION OF CLAIMS AGAINST WARRANTY**

SCIL reserves the right to investigate any and all claims against this Limited Lifetime Warranty and to decide, in its sole discretion, upon the method of settlement.

To receive the benefits and advantages described in this Limited Lifetime Warranty, the appliance must be installed and repaired by a licensed contractor approved by SCIL. Contact SCIL at the address provided herein to obtain a listing of approved dealers/distributors. SCIL shall in no event be responsible for any warranty work done by a contractor that is not approved without first obtaining SCIL's prior written consent.

**HOW TO REGISTER A CLAIM AGAINST WARRANTY**

In order for any claim under this warranty to be valid, you must contact the SCIL dealer/distributor from which you purchased the product. If you cannot locate the dealer/distributor, then you must notify SCIL in writing. SCIL must be notified of the claimed defect in writing within 90 days of the date of failure. Notices should be directed to the SCIL Warranty Department at 2125 Monterey, Laval, QC H7L 3T6.



## WARRANTY

This product has a limited lifetime warranty. Please read the warranty to be familiar with its coverage.

Retain this manual. File it with your other documents for future reference.

## PRODUCT REFERENCE INFORMATION

Please contact Security Chimneys International for the phone number of your nearest Security Chimneys International dealer who will answer your questions or address your concerns.

Normally, all parts should be ordered through your Security Chimneys International distributor or dealer. Parts will be shipped at prevailing prices at time of order.

When ordering repair parts, always give the following information:

1. The model number of the vent system.
2. The part number.
3. The description of the part.
4. The quantity required.
5. The installation date of the chimney system.

If you encounter any problems or have any questions concerning the installation or application of this system, please contact your dealer.

SECURITY CHIMNEYS INTERNATIONAL LIMITED  
2125 Monterey, Laval, Quebec, Canada, H7L 3T6  
800-667-3387  
Visit us at [www.securitychimneys.com](http://www.securitychimneys.com)



2125 Monterey, Laval, Quebec, Canada, H7L 3T6  
800-667-3387; [www.securitychimneys.com](http://www.securitychimneys.com)

---

Security Chimneys International Limited reserves the right to make changes at any time, without notice, in design, materials, specifications, prices.  
Consult your local distributor for chimney system code information.