

The Dream™ BGD90

Everything You've Dreamed of and More...



Remote

Hand held modulating
thermostatic
remote control
included

It's everything you dreamed of and more! Napoleon® is proud to introduce the BGD90 Dream™ direct vent gas fireplace to our Prestige Collection! With it's astounding design, the Dream™ is the perfect fireplace to make a statement in any home. Ideal for a great room, bedroom, ski lodge, lobby or castle. This colossal fireplace has the phenomenal viewing area of 16 square feet, sure to capture anyone's attention who may enter the room. Napoleon® is extremely pleased to offer such an extraordinary fireplace for discriminating customers who want to set themselves apart.



QUALITY FIREPLACES
Award Winning Products

Optional Decorative Accessories



Optional solid wrought iron decorative square frame with arched rail inset



Optional solid wrought iron rectangular "Artisan" double doors



Optional country crane and hearth pot



Remote Control
(Included)



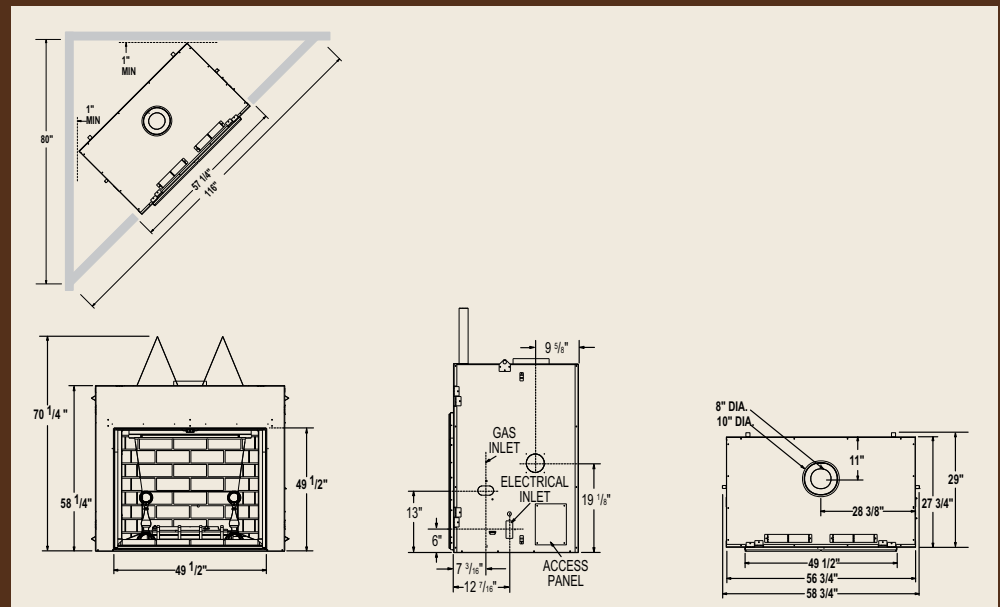
Dual Night Light™
(Included)



Features & Advantages

The Dream™

- Up to 50,000 BTU's
- An unbelievable 16 sq. ft. viewing area - One of the largest in the industry
- Traditional clean face masonry design and feel
- 50% flame/heat adjustment for maximum comfort and efficiency
- Double burner system showcasing two incredible levels of intense YELLOW DANCING FLAMES®
- Exclusive PHAZER® logs with a natural wood appearance
- Millivolt system ensures reliable use even during power failures
- 100% SAFE GUARD™ gas control system automatically and quickly shuts off the gas supply for your peace of mind
- Zero clearance to combustibles
- Exclusive Napoleon® Dual Night Light™ system illuminates the logs and firebox while adding a warm glow to the room when the fireplace is off
- Convenient hand-held thermostatic remote (controlling blower, flame intensity, temperature and Night Light™)
- Exquisite Sandstone Herringbone decorative brick panels
- Solid cast iron decorative andirons in painted black included with the unit
- Controls are concealed from view but easily accessible
- Available as a natural gas or propane unit
- Approved for bathrooms, bedrooms and bed sitting rooms
- Optional solid wrought iron decorative square frame with arched rail inset
- Optional solid wrought iron rectangular "Artisan" double doors
- Optional remote blower kit for WHISPER QUIET™ operation
- Optional country crane and hearth pot
- President's Lifetime Limited Warranty



Model	BTU'S (Input)	Venting	Height		Front Width		Depth	
			Actual	Framing	Actual	Framing	Actual	Framing
BGD90	50,000	Top	49 1/2"	72"	49 1/2"	59 1/4"	27 3/4"	29"

Model	Glass Type	Glass Size		Efficiencies			Blower	Mobile Home
		Height	Width	EnerGuide	AFUE	Steady State		Certified
BGD90	Tempered	49 1/2"	49 1/2"	60.9%	-	63%	Optional	Yes

Certified under Canadian and American National standards CSA 2.22, ANSI, Z21.50 for vented gas fireplaces. Consult your owner's manual for complete and up-to-date installation instructions and proper clearances to combustible materials.