



CORR/GUARD®
Special Gas Vent
Appliance Adapters
03/12/2015

For current product listing visit:
www.mtlfab.com/media/L2159.pdf

Metal-Fab, Inc. CORR/GUARD® Appliance Adapters

Table of Contents

Cross Reference	Page 4
3" Adapters	Page 14
4" Adapters	Page 16
5" Adapters	Page 18
6" FCS Adapters	Page 18
6" and Larger FCS Adapters	Page 19

NOTES:

- The 4CGIA2BP can be used in place of the 4CGAI2 if a backflow preventer is desired.
- Metal-Fab offers appliance adapters to transition from PVC Vent Collars to Corr/Guard Vent. The part numbers are: 3CGPVCA, 4CGPVCA and 6FCGPVCA.
- Metal-Fab offers appliance adapters that allow appliances with vent collars on the back or side of an appliance to vent horizontally "downhill." The part numbers are: 3CGVUHA and 4CGVUHA
- The description "N/R" is an abbreviation for "Not Required." On these applications the male end of the Corr/Guard vent will make the connection to the appliance or the appliance adapter shipped with the appliance.

Metal-Fab, Inc. CORR/GUARD® Appliance Adapters

Cross-Reference

Manufacturer	Make and Model	Flue Dia.	MF Part No.	Page
Aerco International	KC1000 Series (KC-1000 thru KC1000-8)	6	6FCSFA	19
Aerco International	Benchmark Series (BMK 1.5, 750, 1000)	6	6FCSFA	19
Aerco International	Benchmark Series (BMK 2.0, 3.0)	8	8FCSFA	19
Aerco International	Benchmark Series BMK 6.0	14	14FCSFA	19
Aerco International	Esteem 399	4	4CGPVCA	17
Aerco International	Innovation 600, 800, 1060, 1350	6	6FCSFA	19
Aerco International	Modulex MLX 303 thru 606 EXT 321-641	4	4CGIA	16
Aerco International	Modulex MLX 757 thru 1060 EXT 802-1123	6	6FCSSBAI	19
Aerco International	Modulex EXT 1530-1912	10	10FCSFA	19
Aerco International	Modulex EXT 2295-3060	12	12FCSFA	19
Aerco International	AM 399-500	4	4CGPVCA	17
Aerco International	AM 750-1000	6	6FCSPVCA	17
Aerco International	Recon W/H	6	6FCSFA	
Ajax	Goldstar GS-10-A01G	6	6FCSSBA	19
Ajax	Goldstar GS-16-A01G	8	8FCSSBA	19
Ajax	Atlas A050, 075	6	6FCSSBA	19
Ajax	Atlas A100,150	8	8FCSSBA	19
Ajax	Atlas A200	10	10FCSSBA	19
Ajax	Atlas A250,300	12	12FCSSBA	19
A.O. Smith Water Products	ATI/ATO -110, 310, 510, 710	4	4CGIA2	16
A.O. Smith Water Products	ATI/ATO -910	5	5CGIA2	18
A.O. Smith Water Products	ATI/ATO -320H, 520H	4	4CGIA	16
A.O. Smith Water Products	Cyclone X BTH 120 thru 250	3	3CGPVCA	15
A.O. Smith Water Products	Cyclone X BTH 300 thru 500	4	4CGPVCA	17
A.O. Smith Water Products	Genesis 200	4	4CGOA	16
A.O. Smith Water Products	Genesis 300	5	5CGOA	18
A.O. Smith Water Products	Genesis 400-500	6	6FCSSBA	19
A.O. Smith Water Products	Genesis 650-750	8	8FCSSBA	19
A.O. Smith Water Products	Legend 2000 LB & LW-500, -750	6	6FCSSBA	19
A.O. Smith Water Products	LB & LW-1000	7	7FCSSBA	19
A.O. Smith Water Products	VW/VB 500-1000	6	6FCSMFC	19
A.O. Smith Water Products	VW/VB 1500-2000	7	7FCSHFA	19
A.O. Smith Water Products	XP XB/XWH-1000	6	6FCSSBAI	19
A.O. Smith Water Products	XP XB/XWH-1300 THRU 2600	8	8FCSSBAI	19
A.O. Smith Water Products	XP XB/XWH-3400	10	10FCSSBAI	19
Beacon/Morris	BRU/BTU 150-250	5	5CGIA	18
Beacon/Morris	BRU/BTU 300-400	6	6FCSSBA	19
Beacon/Morris	BRU/BTU 30-90, BST 30-75	4	4CGIA2	16
Bock	Energy Saver	3	3CGPVCA	15
Bosch-Controlled Energy Corp.	AquaStar 125FX, 240FX	4	4CGIA2	16
Bosch-Controlled Energy Corp.	AquaStar 250SX	3	3CGBA	14

Metal-Fab, Inc. CORR/GUARD® Appliance Adapters Cross-Reference

Manufacturer	Make and Model	Flue Dia.	MF Part No.	Page
Bosch-Controlled Energy Corp.	Pro Tankless GWH-635-ES	3	3CGBA	14
Bosch-Controlled Energy Corp.	GWH 2400ES, 2700ES	3	3CGBA	14
Bosch-Controlled Energy Corp.	GWH 345ESR, 450ESR, 635ES, 715ES	3	3CGBA	14
Bosch-Controlled Energy Corp.	GWH 425EF	4	4CGIA2	16
Bradford White	EF Series	3	3CGPVCA	15
Bryan	Triple Flex	8	8FCSFA	19
Buderus	G116/21, 28, 34	4	4CGIA2	16
Buderus	GA124 17, 23, 30	3	3CGBA2	14
Buderus	GA244 37, 44, 53	3	3CGBA2	14
Buderus	G124X 18, 25, 32	3	3CGBA2	14
Buderus	GA244 62	4	4CGIA2	16
Buderus	GB142	3	3CGPVCA	15
Buderus	GB162	4	4CGPVCA	17
Buderus	SB615 145, 185	6	6FCSSBAI	19
Buderus	GB312 Series 90, 120, 160	6	6FCSBA	19
Buderus	G315	7	7FCSSBA	19
Buderus	SB615 240, 310	8	8FCSSBAI	19
Buderus	GB312 Series 200, 240, 280	8	8FCSSBA	19
Buderus	SB615 400	10	10FCSSBAI	19
Buderus	G515	10	10FCSSBA	19
Buderus	SB615 510, 640	12	12FCSSBAI	19
Buderus	SB735-790/970/1200	14	14FCSSBAI	19
Buderus	SB745-800-1050	14	14FCSSBA	19
Buderus	SB745-1300	16	16FCSSBA	19
Buderus	SB745-1550	18	18FCSSBA	19
Buderus	G615	14	14FCSSBA	19
Buderus	SB625/160	8	8FCSPKA	19
Burnham	Apex 399-500	4	4CGPVCA	17
Burnham	Apex 800	6	6CGPVCA	18
Burnham	PVG/SCG-3 TO -7	3	3CGBMA	14
Burnham	PVG/SCG-3 TO -7	4	4CGBMA	16
Burnham	Revolution, Revolution 2	3	3CGBMA	14
Burnham	XG2000A	3	3CGBMA	14
Burnham	Alpine AL080, 105, 150, 210	3	3CGPVCA	15
Burnham	Alpine AL285, 399	4	4CGPVCA	17
Burnham	V11	8-18	FCSSBA	19
Burnham	Spirit, Minuteman II	3	3CGBMA	14
Burnham	Series 2PV, Independence PV	3	3CGBMA	14
Camus Boiler	Dynaflame 500-6000	6-12	FCSSBA	19
Camus Boiler	Micoflame 60-402	ALL	CGIA	
Camus Boiler	Micoflame 500-4002	ALL	FCSSBA	19

Metal-Fab, Inc. CORR/GUARD® Appliance Adapters Cross-Reference

Manufacturer	Make and Model	Flue Dia.	MF Part No.	Page
Camus Boiler	Dynaforce 0300-0600	ALL	CGIA	
Camus Boiler	Dynaforce 0800-5000	ALL	FCSSBA	19
Cleaver Brooks	Clearfire CFC-500, CFC-750	6	6FCSSBAI	19
Cleaver Brooks	Clearfire CFC-1000	8	8FCSSBAI	19
Cleaver Brooks	Clearfire CFC-1500	10	10FCSSBAI	19
Cleaver Brooks	Clearfire CFC-1800, CFC-2500	12	12FCSSBAI	19
Cleaver Brooks	Clearfire CFLC-4000-5000	14	N/R	
Cleaver Brooks	Clearfire CFLC-6000-8000	16	N/R	
Cleaver Brooks	Clearfire CFLC-10000-12000	20	N/R	
Crown Boiler	Bali BWF 061-162	3	3CGIA	14
Crown Boiler	Bali BWF 195-229	4	4CGIA	16
Crown Boiler	Cabo CSC-50 thru CSC-150	3	3CGIA	14
Crown Boiler	Cabo CSC-175 and CSC-200	4	4CGIA	16
Crown Boiler	CXE-2 to -5	3	3CGLA	14
Crown Boiler	CXE-6 to -7	4	4CGIA	16
Crown Boiler	XE-2 to -5	4	4CGHA	16
Crown Boiler	BWC 150	3	3CGHFA	14
Crown Boiler	BWC 225	4	4CGHFA	16
Crown Boiler	BWC 300	4	4CGBMA	16
Crown Boiler	BWC 399, 425	5	5CGPKA	18
DeDietrich	Gas230	6	6FCSDDA	18
DeDietrich	Gas310/610	10	10FCSPKA	19
DeDietrich	GT123-125	5	5CGIA	18
DeDietrich	GT126	6	6FCSSBAI	19
DeDietrich	GT224-225	6	6FCSSBA	19
DeDietrich	GT226-227, GT334-336	7	7FCSSBA	19
DeDietrich	GT337-339	8	8FCSSBA	19
DeDietrich	GT430-8A thru GT430-10A	10	10FCSSBA	19
DeDietrich	GT430-11A thru GT430-14A	12	12FCSSBA	19
DeDietrich	GT530-15A thru GT530-21A	16	16FCSSBA	19
DeDietrich	GT530-22A thru GT530-25A	18	18FCSSBA	19
Dunkirk Radiator	XEB-2 thru XEB-5	3	3CGLA	14
Dunkirk Radiator	XEB-6 and XEB-7	4	4CGIA	16

Metal-Fab, Inc. CORR/GUARD® Appliance Adapters Cross-Reference

Manufacturer	Make and Model	Flue Dia.	MF Part No.	Page
Dunkirk Radiator	XE-2 TO -5	4	4CGHA	16
Frigidaire	See Nordyne			
Fulton Boiler Works	Caliber 300-500	4	4CGPVCA	17
Fulton Boiler Works	Caliber 750-850	6	6FCSLXL	19
Fulton Boiler Works	Endura 1500	6	6FCSSBAI	19
Fulton Boiler Works	Endura 2000	8	8FCSSBAI	19
Fulton Boiler Works	PulsePak PHW-300, 500 (on/off and mod.)	4	4CGHFA	14
Fulton Boiler Works	PHW-750, 1000 (on/off and mod.)	4	4CGHFA	16
Fulton Boiler Works	Pulse PHW-2000	6	6FCSMFC	19
Fulton Boiler Works	Reliance 750-1000	6	6FCSSBA	19
Fulton Boiler Works	Reliance 1500-2000	8	8FCSSBA	19
Fulton Boiler Works	Vantage 2000	10	10FCSSBA	19
Fulton Boiler Works	Vantage 3000	12	12FCSSBA	19
Fulton Boiler Works	Vantage 4000, 6000	14	14FCSSBA	19
Fulton Boiler Works	APX 425-525	4	4CGPVCA	17
Fulton Boiler Works	APX 625-825	6	6FCSPVCA	18
Gasmaster Industries	GMI 200, 400	4	4CGIA	16
Gasmaster Industries	GMI 600	6	6FCSSBAI	19
Gasmaster Industries	GMI 800, GMI 1M, GMI 1.5M	8	8FCSSBAI	19
Gasmaster Industries	GMI 2M	10	10FCSSBAI	19
Gasmaster Industries	GMI 4M	14	14FCSSBAI	19
Gasmaster Industries	GMI 8M	22	22FCSSBAI	19
Gibson	See Nordyne			
Hamilton Engineering	EVO 79, EVO 129, EVO189, EVO 199	3	3CGPVCA	15
Hamilton Engineering	EVO 299, EVO 399	4	4CGPVCA	17
Hamilton Engineering	EVO599	5	5CGIA	18
Hamilton Engineering	EVO 1499, EVO 1999	7	7FCSSBAI	19
Hatco Corporation	Powermite PMG-100 & -200	4	4CGOA	16
Hayward Pool Prod.	H250IDL(P) & H400IDL(P)	6	6FCSSBA	19
H. B. Smith	PVGA-2 thru PVGA-5	3	3CGLA	14
H. B. Smith	PVGA-6 and PVGA-7	4	4CGIA	16
H. B. Smith	GT150,200	3	3CGIA	14
H. B. Smith	GT400	4	4CGIA	16
Hydrotherm	ID-85A, ID-125A, ID-165A	4	4CGHA	16
Hydrotherm	HI, ID, IHS Series	4	4CGIA2	16
Hydrotherm	Sabre FX - 70, 105, and 140	3	3CGHEA	14
Hydrotherm	Sabre FX - 175, 200	4	4CGHEA	16
Hydrotherm	KN -2	3	3CGHFA	14
Hydrotherm	KN -4	4	4CGIA	16
Hydrotherm	KN -6, KN-10	4	N/A	

Metal-Fab, Inc. CORR/GUARD® Appliance Adapters Cross-Reference

Manufacturer	Make and Model	Flue Dia.	MF Part No.	Page
Hydrotherm	KN -16, KN -20	6	6FCSLXL	19
Hydrotherm	KN -26, KN -30	8	8FCSLCA	19
Hydrotherm	GX-150, -200	3	3CGPVCA	15
Hydrotherm	GX-400	4	4CGPVCA	17
L.E.S	Series VI 60	3	3CGIA	14
L.E.S	Series VI 90-120	4	4CGIA	16
L.E.S	Series VI 200-240	6	6FCSSBAI	19
Laars Heating Systems	Endurance: EDP, EBP, EDN	3	3CGLA	14
Laars Heating Systems	HWG (all sizes)	3	3CGLA	14
Laars Heating Systems	Mini Therm JVi	4	4CGOA	16
Laars Heating Systems	Mini-Combo id	4	4CGOA	16
Laars Heating Systems	Mini-Combo id 50, 75, 100, 125	4	4CGIA2	16
Laars Heating Systems	Neotherm NTH 150-285	3	3CGPVCA	15
Laars Heating Systems	Neotherm NTH 399-600	4	4CGPVCA	17
Laars Heating Systems	Neotherm NTH 750-850	6	6FCSSBAI2	18
Laars Heating Systems	Neotherm NTH 1000	6	6FCSLXL	19
Laars Heating Systems	Neotherm NTH 1700	7	7FCSLCA *	19
Laars Heating Systems	Summit	3	3CGWA	15
Laars Heating Systems	Rheos 1200, 1600	6	6FCSSBA	19
Laars Heating Systems	Rheos 2000	7	7FCSSBA	19
Laars Heating Systems	Rheos 2400	10	10FCSSBA	19
Laars Heating Systems	Magnatherm MGH 2000-2500	8	8FCSSBAI	19
Laars Heating Systems	Magnatherm MGH 3000-3500	10	10FCSSBAI	19
Laars Heating Systems	Magnatherm MGH 4000	12	12FCSSBAI	19
Lochinvar	Armor AWN 151-200	3	3CGPVCA	15
Lochinvar	Armor AWN 286-601	4	4CGPVCA	17
Lochinvar	Armor AWN 701-801	6	6FCSPVCA	18
Lochinvar	Armor X2 AWN 1000-1500	6	6FCSLXL	19
Lochinvar	Crest FB - 1500	7	7FCSLCA	19
Lochinvar	Crest FB - 2000	8	8FCSLCA	19
Lochinvar	Crest FB - 2500	9	9FCSLCA	19
Lochinvar	Crest FB - 3000, FB - 3500	10	10FCSPKA2	19
Lochinvar	Crest FB - 4000	12	12FCSLCA	19
Lochinvar	Crest FB - 5000	14	14FCSLCA	19
Lochinvar	EBN 100	3	3CGIA	14
Lochinvar	EBN 250, 300	5	5CGIA	18
Lochinvar	EBN 150 & 200, PBN 0250, PFN0250PM	4	4CGIA2	16
Lochinvar	Intelli-Fin IBL & IBN 1500	6	6FCSSBA	19
Lochinvar	Intelli-Fin IBL & IBN 1700	7	7FCSSBA	19

* Note: Boiler comes with adapter to 8" PVC which is discarded. May also need 7FCSTI8.

Metal-Fab, Inc. CORR/GUARD® Appliance Adapters Cross-Reference

Manufacturer	Make and Model	Flue Dia.	MF Part No.	Page
Lochinvar	Intelli-Fin IBL & IBN 2000	8	8FCSSBA	19
Lochinvar	KB 080-210	3	3CGPVCA	15
Lochinvar	KB 285	4	4CGPVCA	17
Lochinvar	KBN 400-601	4	4CGPVCA	17
Lochinvar	KBN 701-801 (using factory elbow)	6	6FCSPVCA	18
Lochinvar	KBN 701-801 (removing factory elbow)	6	6FCSLXL	19
Lochinvar	PB & PF Series	ALL	FCSSBA	19
Lochinvar	Shield SNR 126	3	3CGPVCA	15
Lochinvar	Shield SNA 151-201	3	3CGPVCA	15
Lochinvar	Shield SNA 286-501	4	4CGPVCA	17
Lochinvar	Sync SBN 1000-1500	6	6FCSLXL	19
Lochinvar	WHN 110-285	3	3CGPVCA	15
Lochinvar	WHN 399	4	4CGPVCA	17
Lochinvar	FTXL 400-600	4	4CGPVCA	17
Lochinvar	FTXL 725-850	6	6FCSPVCA	18
Modine	Hot Dawg HD30 thru HD75	3	3CGIA	14
Nordyne	G6TA Series , G6RA-045	3	3CGIA	14
Nordyne	G6RA-060 Thru -120	4	4CGIA	16
Nordyne	G6RA-144	5	5CGIA	18
Nordyne	G6RAK	4	4CGIA	16
Noritz	N-042, N-053	3	3CGIA	14
Noritz	N-063S, N-069M, N-084M	4	4CGIA2	16
Noritz	N-132	5	5CGIA2	18
Noritz	N-0531S	3	3CGHFA	14
Noritz	N0631S, N-751M, N841MC, N-931M	4	4CGRA	17
Nortec	GSB/GSP/GSMC 100	3	3CGIA	14
Nortec	GSB/GSP/GSMC 200	4	4CGIA2	16
Nortec	GSB/GSP/GSMC 300, 400	5	5CGIA2	18
Nortec	GSB/GSP/GSMC 500, 600	6	6FCSSBA	19
Nortec	GHB/GHP/GHMC 100	3	3CGBA2	14
Nortec	GHB/GHP/GHMC 200, 400	4	4CGIA2	16
Paloma/Ecosense	PH-20RIFS(N/P), PTG-42PVN(N/P)	3	3CG(V)SWPA	15
Paloma/Ecosense	PH-16UFN, PH-16UFH, PH-16FS	3	3CG(V)SWPA	15
Paloma/Ecosense	PH-28RIFS(N/P), PTG-74PV(N/P)	4	4CGIA2	16
Paloma/Ecosense	PH-20RDVSN, PH-20RDVSP	3	3CGPA	15
Parker Boiler	TC Series 150-210	8	8FCSSBAI	19
Parker Boiler	TC Series 350	10	10FCSSBAI	19
Parker Boiler	TC Series 600	12	12FCSSBAI	19
Parker Boiler	TC Series 800-1000	14	14FCSSBAI	19

Metal-Fab, Inc. CORR/GUARD® Appliance Adapters Cross-Reference

Manufacturer	Make and Model	Flue Dia.	MF Part No.	Page
Parker Boiler	TC Series 1450	18	18FCSSBAI	19
Parker Boiler	WW Series	5	5CGRA	18
Patterson-Kelley	CM Series (all models)	4	4CGIA	16
Patterson-Kelley	Mach C - 300	4	4CGPKA	16
Patterson-Kelley	Mach C - 450	5	5CGPKA	18
Patterson-Kelley	Mach C - 750	6	6FCSLXL	19
Patterson-Kelley	Mach C - 900, 1050	8	8FCSPKA	19
Patterson-Kelley	Mach C - 1500/2000	10	10FCSPKA	19
Patterson-Kelley	Mach C - 1500H/2000H/2500/3000/4000	10	10FCSPKA2	19
Patterson-Kelley	Modu Fire	ALL	SBA	19
Peerless Heater	Cast 92-2	3	3CGHFA	14
Peerless Heater	Cast 92-4	4	4CGHFA	14
Peerless Heater	DE, PSC, PDE Series (all models)	3	3CGIA	14
Peerless Heater	Pinnacle PI-399	4	4CGIA	16
Peerless Heater	Purefire PF-399	4	4CGPVCA	17
Peerless Heater	Purefire PF-850, 1000	6	6FCSSBAI	19
Pennco	FS Series (FS-2 thru FS-5)	4	4CGIA	16
Pennco	FSB-2 thru FSB-5	3	3CGIA	14
Pennco	FSB-6 & FSB-7	4	4CGIA	16
Precision Temp	PT-200 (PT56)	4	4CGIA	16
PVI Industries	Conquest W/H 20L-30L	4	CALL FACTORY	
PVI Industries	Conquest W/H 40L-80L	6	6FCSSBAI2	18
PVI Industries	Platinum 199P	3	3CGPVCA	15
PVI Industries	Platinum 299P-399P	4	4CGPVCA	17
PVI Industries	Platinum, Power VT (all models)	4	4CGIA	16
PVI Industries	Power VT Plus (ALL)	6	6FCSSBAI2	18
PVI Industries	Tricon (ALL)	6	6FCSSBA	19
PVI Industries	Turbo Power 99 2228-2971	5	5CGPVCA	18
PVI Industries	Turbo Power 99 742-1485	4	4CGPVCA	17
Raypak	ABD-500	6	6FCSSBA	19
Raypak	ABD-750	8	8FCSSBA	19
Raypak	ABD-1000 w/o CHX	9	9FCSSBA	19
Raypak	ABD-1000 with CHX	10	10FCSSBA	19
Raypak	ABD-1500	12	12FCSSBA	19
Raypak	High Delta 22	4	4CGIA2	16
Raypak	High Delta 122	4	4CGRA	17
Raypak	High Delta 162, 202, 242, 302	5	5CGRA	18
Raypak	322, 402 & 502	6	6FCSSBA	19
Raypak	652, 752 & 902	8	8FCSSBA	19
Raypak	992	10	10FCSSBA	19

Metal-Fab, Inc. CORR/GUARD® Appliance Adapters Cross-Reference

Manufacturer	Make and Model	Flue Dia.	MF Part No.	Page
Raypak	1262 & 1532	12	12FCSSBA	19
Raypak	1802, 2002 & 2072	14	14FCSSBA	19
Raypak	2342	16	16FCSSBA	19
Raypak	MVB 503-1003	6	6FCSSBA	19
Raypak	MVB 1253-2003	8	8FCSSBA	19
Raypak	MVB 2503-3003	10	10FCSSBA	19
Raypak	MVB 3503-4003	12	12FCSSBA	19
Raypak	X Therm 1005	6	6FCSSBAI	19
Raypak	X Therm 1505-2005	8	8FCSSBAI	19
Raypack	X Therm 2505-3505	10	10FCSSBAI	19
Raypack	X Therm 4005	12	12FCSSBAI	19
Raypak	X Fyre 300-500	4	4CGPVCA	17
Raypak	X Fyre 700-850	6	6FCSSBAI	19
RBI Water Heaters	Futera III 500, 750 (MB/MW)	6	6FCSSBA	19
RBI Water Heaters	Futera III 1000 (MB/MW)	7	7FCSSBA	19
RBI Water Heaters	Futera III 1250, 1500 (MB/MW)	8	8FCSSBA	19
RBI Water Heaters	Futera III 1750, 2000 (MB/MW)	10	10FCSSBA	19
RBI Water Heaters	Futera Fusion 500-1000 (CB/CW)	7	7FCSSBAI	19
RBI Water Heaters	Futera Fusion 1250-1500 (CB/CW)	8	8FCSSBAI	19
RBI Water Heaters	Futera Fusion 1750-2000 (CB/CW)	10	10FCSSBAI	19
RBI Water Heaters	Futera Fusion XLF MB/MW 2500-3000	8	8FCSLCA	19
RBI Water Heaters	Futera Fusion XLF MB/MW 3500-4000	10	10FCSPKA2	19
RBI Water Heaters	Infinite Energy IW 199	3	3CGPVCA	15
RBI Water Heaters	Infinite Energy IB/IW 399-500	4	4CGPVCA	17
RBI Water Heaters	Infinite Energy IB/IW 750-1000	6	6FCSPVCA	18
Richmond	See Rheem			
Rheem	RTG53DV	3	3CGPA	15
Rheem	RTG42PV, 53PV	3	3CG(V)SWPA	15
Rheem	RTG74PV, GT199PV	4	4CGIA2	16
Rinnai	RTG64, RTG84, RTG95	3	N/R	
Rinnai	R98, R94, R80, R75, R65, R50	3	3CGRLSV	15
Rinnai	R98, R94, R80, R75, R65, R50	3	3CGRLSH	15
Riverside Hydronics	EPV, EPVL	4	4CGIA	16
Riverside Hydronics	Centauri	6	6FCSSBA	19
Riverside Hydronics	Centauri Plus	6	6FCSSBAI2	18
Ruud	See Rheem			
Sellers (GBT)	Sirius S98B065-100	6	6FCSSBAI	19

Metal-Fab, Inc. CORR/GUARD® Appliance Adapters

Cross-Reference

Manufacturer	Make and Model	Flue Dia.	MF Part No.	Page
Sellers (GBT)	Sirius S98B150-200	8	8FCSSBAI	19
Slant/Fin	Concept 21 Boiler (all models)	3	3CGHFA	14
Slant/Fin	Prodigy 21 Boiler (all models)	3	3CGHFA	14
Slant/Fin	Victory and Victory II Boiler (all models)	3	3CGHFA	14
Slant/Fin	Lynx LX-85	3	3CGPVCA	15
Slant/Fin	Bobcat B-120, B200	3	3CGPVCA	15
Smith Boiler	GV100W-3 thru GV100W-7	4	4CGHEA	16
Smith Boiler	GS110-W-3, 4, and 5	3	3CGHEA	14
Smith Boiler	GS110-W-6, and 7	4	4CGHEA	16
State Water Heater	Aurora GAX194	4	4CGIA2	16
Sterling	RF Series	4	4CGIA	16
Sterling	TF Series	5	5CGIA	18
Sterling	TF 300 - 400	6	6FCSSBA	19
Takagi	T-K1, T-K1S, T-K2, T-K3, T-K3-SP & T-K Jr.	4	4CGIA2(BP)	16
Takagi	T-KD20, T-H1 T-M1, T-M199	4	4CGIA2(BP)	16
Takagi	T-M50	5	5CGIA or 5CGIA2	18
Tappan	See Nordyne			
Thermal Solutions	Evolution EVH-250	3	3CGHFA	14
Thermal Solutions	Evolution EV-500 & -750	4	4CGHFA	16
Thermal Solutions	Evolution EV-1000,-1500,-2000	6	6FCSMFC	19
Thermal Solutions	Evolution EV-2500,-3000	8	8FCSMFC	19
Thermal Solutions	SOL - 300	4	4CGIA	16
Thermal Solutions	SOL - 500	6	6FCSSBA	19
Thermal Solutions	SOL - 750-1000	8	8FCSSBA	19
Thermal Solutions	SOL - 1250-1500	10	10FCSSBA	19
Thermo-Dynamics	LMGD Series	4	4CGIA	16
Trane	GTND Series	5	5CGIA	18
Triad	Triumph T300	4	4CGPKA	16
Triad	Triumph T-399, T-425	5	5CGPKA	18
Triad	Triumph T-750, T-900, T-1000	8	8FCSPKA	19
Triangle Tube	HM Series G Model 25 & 30	3	3CGIA	14
Triangle Tube	Delta Performance (all models)	3	3CGIA	14
Utica Boilers	DV, DVA, DVB -38 thru -125	3	3CGIA	14
Utica Boilers	DV, DVA, DVB -150 thru -200	4	4CGIA	16
Utica Boilers	USC Series Boiler (all sizes)	3	3CGIA	14
Viessmann	Vitocrossal 200 (186-311)	8	8FCSPKA	19
Viessmann	Vitocrossal 200 (400-620)	10	10FCSPKA	19
Viessmann	Vitogas 050 ECV (all models)	3	3CGIA	14
Viessmann	Vitogas 100 GS10-72	8	8FCSSBA	19
Viessmann	Vitogas 100 GS10-84	9	9FCSSBA	19
Viessmann	Vitogas 100 GS10-96	10	10FCSSBA	19

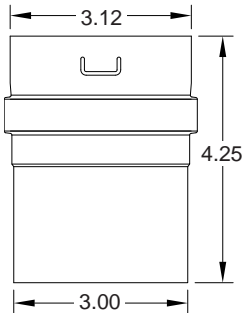
Metal-Fab, Inc. CORR/GUARD® Appliance Adapters Cross-Reference

Manufacturer	Make and Model	Flue Dia.	MF Part No.	Page
Viessmann	Vitoden 200 WB2 6-24 & 8-32	3	3CGIA	14
Viessmann	Vitoden WB2 11-44 & 15 -60	4	4CGIA	16
Viessmann	Vertomat VSB-17, 22, 28	8	8FCSSBA	19
Viessmann	Vertomat VSB-37, 46, 57	10	10FCSSBA	19
Viessmann	Vertomat VSB-72, 89	12	12FCSSBA	19
Viessmann	Vitocrossal 300 CT3-17, -22, -28	8	8FCSSBA	19
Viessmann	Vitocrossal 300 CT3-37, -46, -57	10	10FCSSBA	19
Viessmann	Vitocrossal 300 CT3-72, -89	12	12FCSSBA	19
WaiWela	PH16, 20, 28	4	4CGIA2	16
Weben Jarco	Vision 3000 750	6	6FCSSBA	19
Weben Jarco	Vision 3000 1000	8	8FCSSBA	19
Weben Jarco	Vision 3000 1500 & 2000	10	10FCSSBA	19
Weben Jarco	E-Finiti E_020	3	3CGOA	14
Weben Jarco	E-Finiti E_040, E_060	4	4CGOA	16
Weben Jarco	E-Finiti E_075, E_100	6	6FCSSBA	19
Weben Jarco	E-Finiti E_125, E_150	8	8FCSSBA	19
Weben Jarco	E_Finiti E_175, E_200	10	10FCSSBA	19
Weil-McLain	Gold Series 3 & 4 (all models)	3	3CGWTA	15
Weil-McLain	CGi / CGs / CGt (all models)	3	3CGWLA	14
Weil-McLain	Ultra Series	3	3CGPVCA	14
Weil-McLain	Ultra Series	4	4CGPVCA	17
Weil-McLain	Slim-Fit SF550-750	6	6FCSPVCA	18
Weil-McLain	SlimFit SF1000, 1500, 2000	9	6 or 8FCS9WMA	
Westinghouse	See Nordyne			
Williamson-Thermoflo	GWi / GWs (all models)	3	3CGWLA	14
Unit Heaters	For nominal 3" & 4" vent collars located on back or side of appliance. Allows for horizontal vent system that slopes "downhill" from the appliance.	3	3CGVUHA	15
		4	4CGVUHA	17

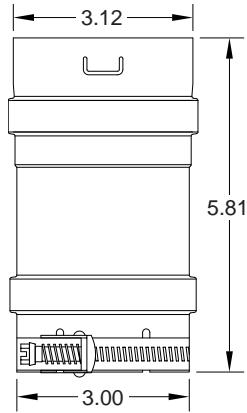
Metal-Fab, Inc. CORR/GUARD® Appliance Adapters

3" Adapters

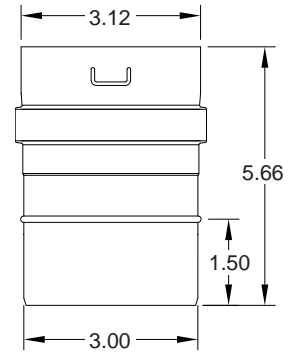
3CGBA



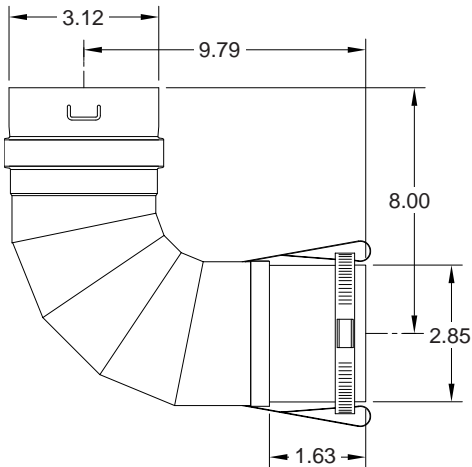
3CGBA2



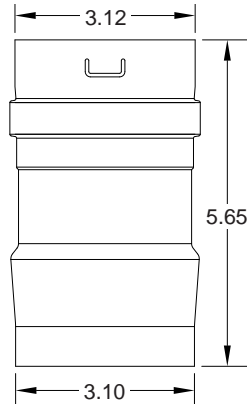
3CGBMA



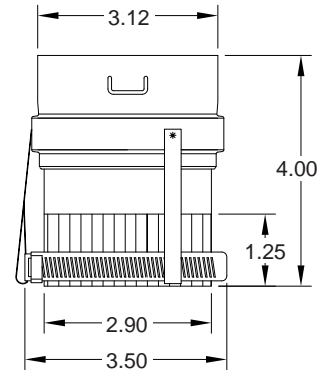
3CGHEA



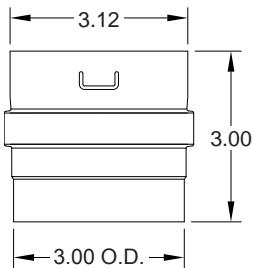
3CGHFA



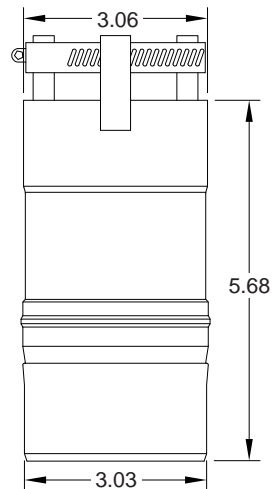
3CGIA



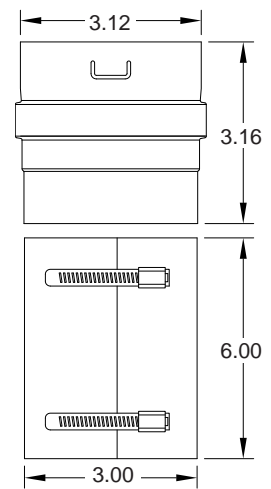
3CGLA



3CGMBA

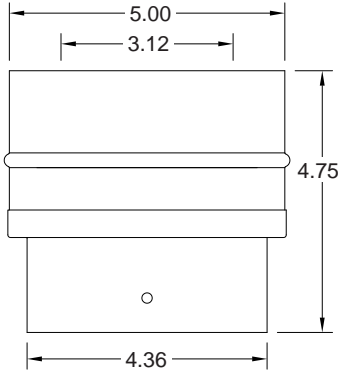


3CGOA

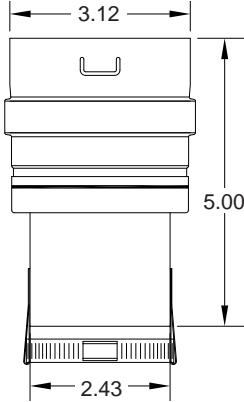


Metal-Fab, Inc. CORR/GUARD® Appliance Adapters 3" Adapters

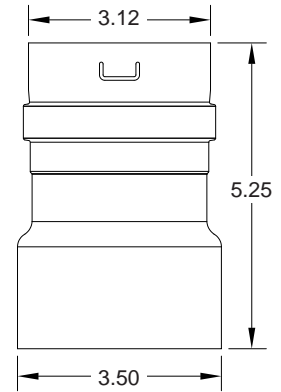
**3CGPA
3CGVPA**



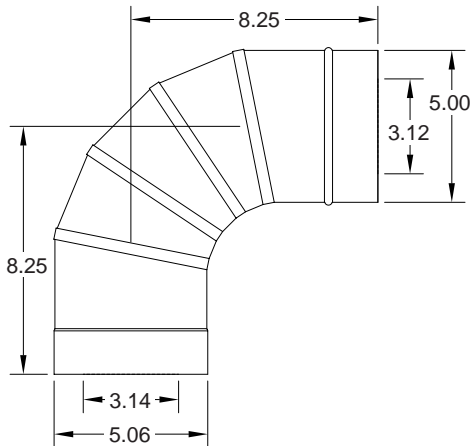
**3CGSWPA
3CGVSWPA**



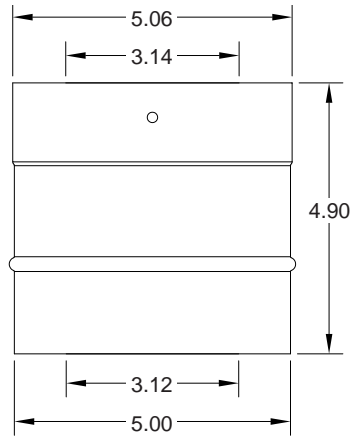
3CGPVCA



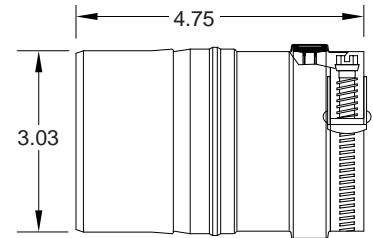
3CGRLSH



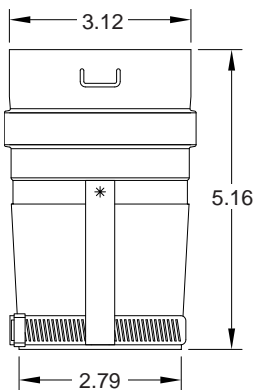
3CGRLSV



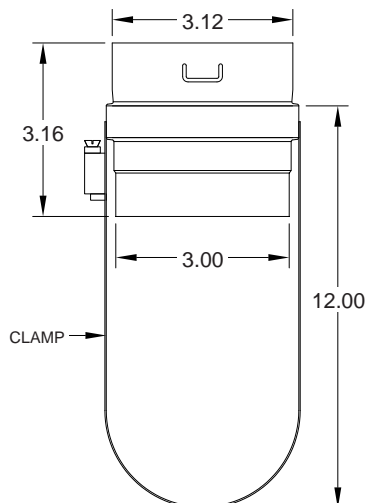
3CGVUHA



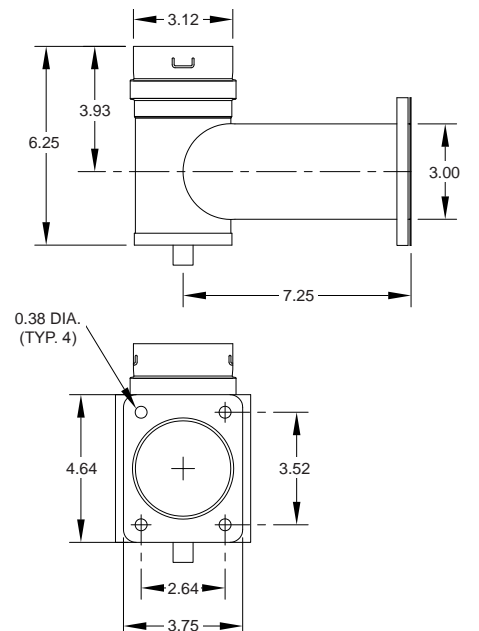
3CGWA



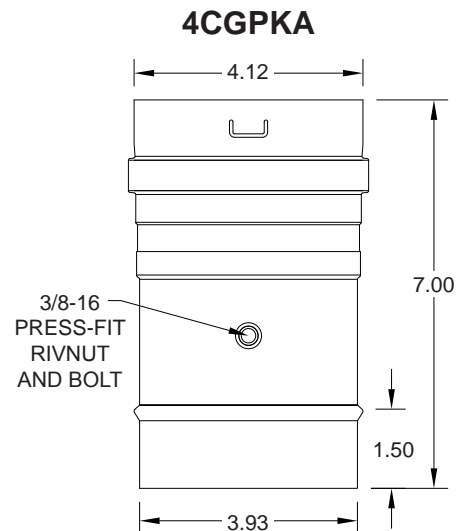
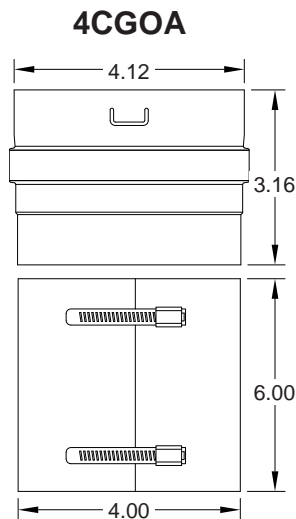
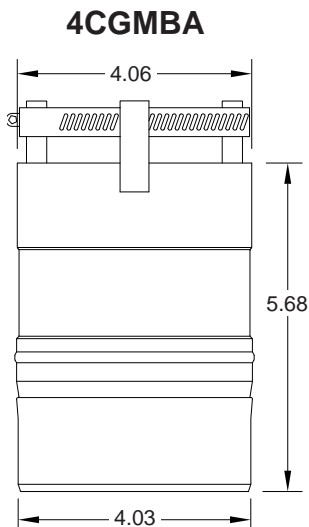
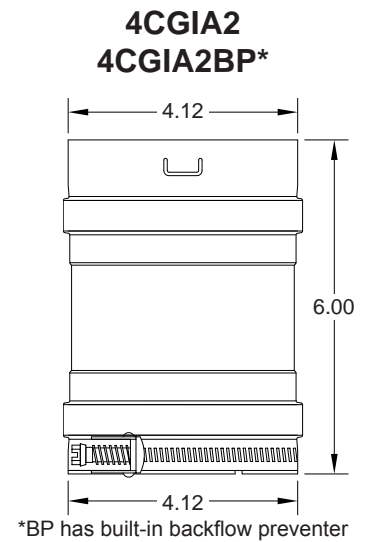
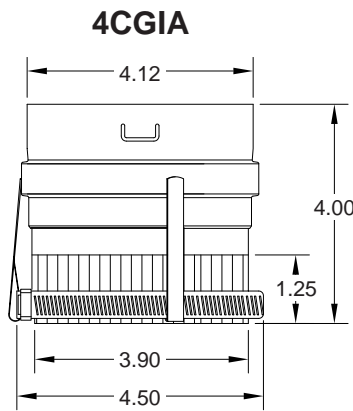
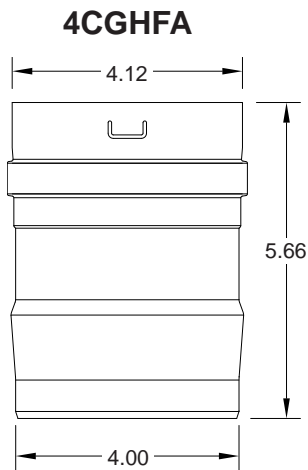
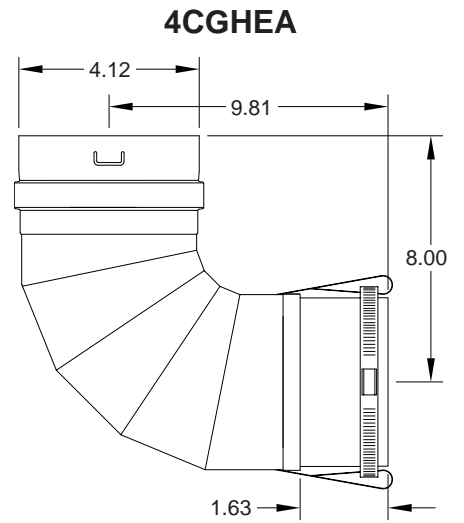
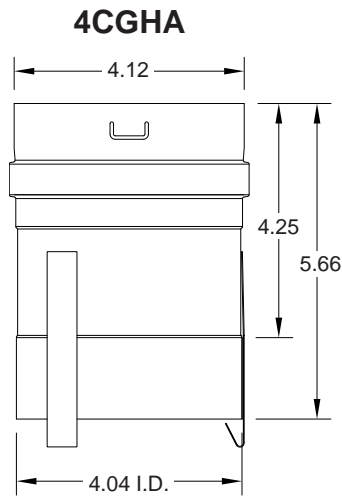
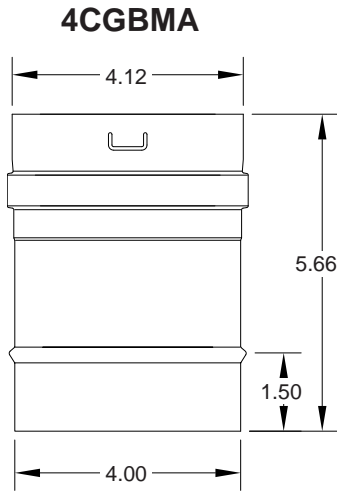
3CGWLA



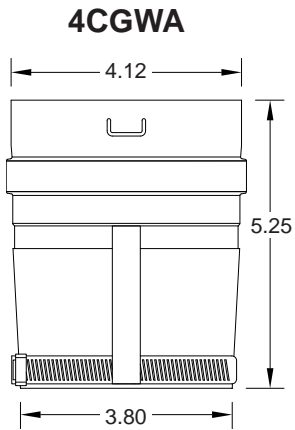
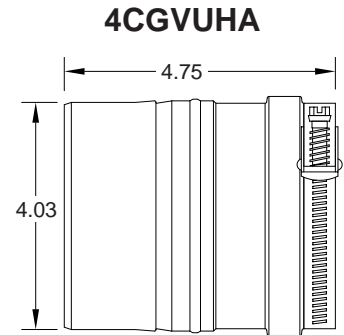
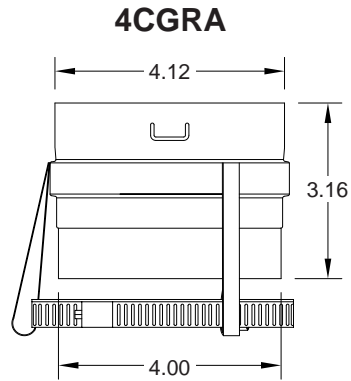
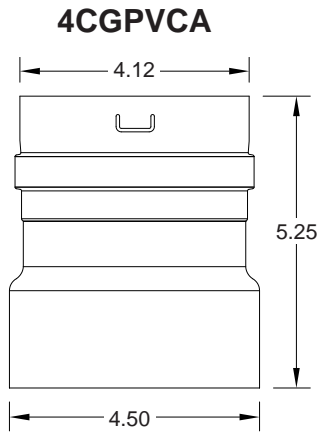
3CGWTA



Metal-Fab, Inc. CORR/GUARD® Appliance Adapters 4" Adapters

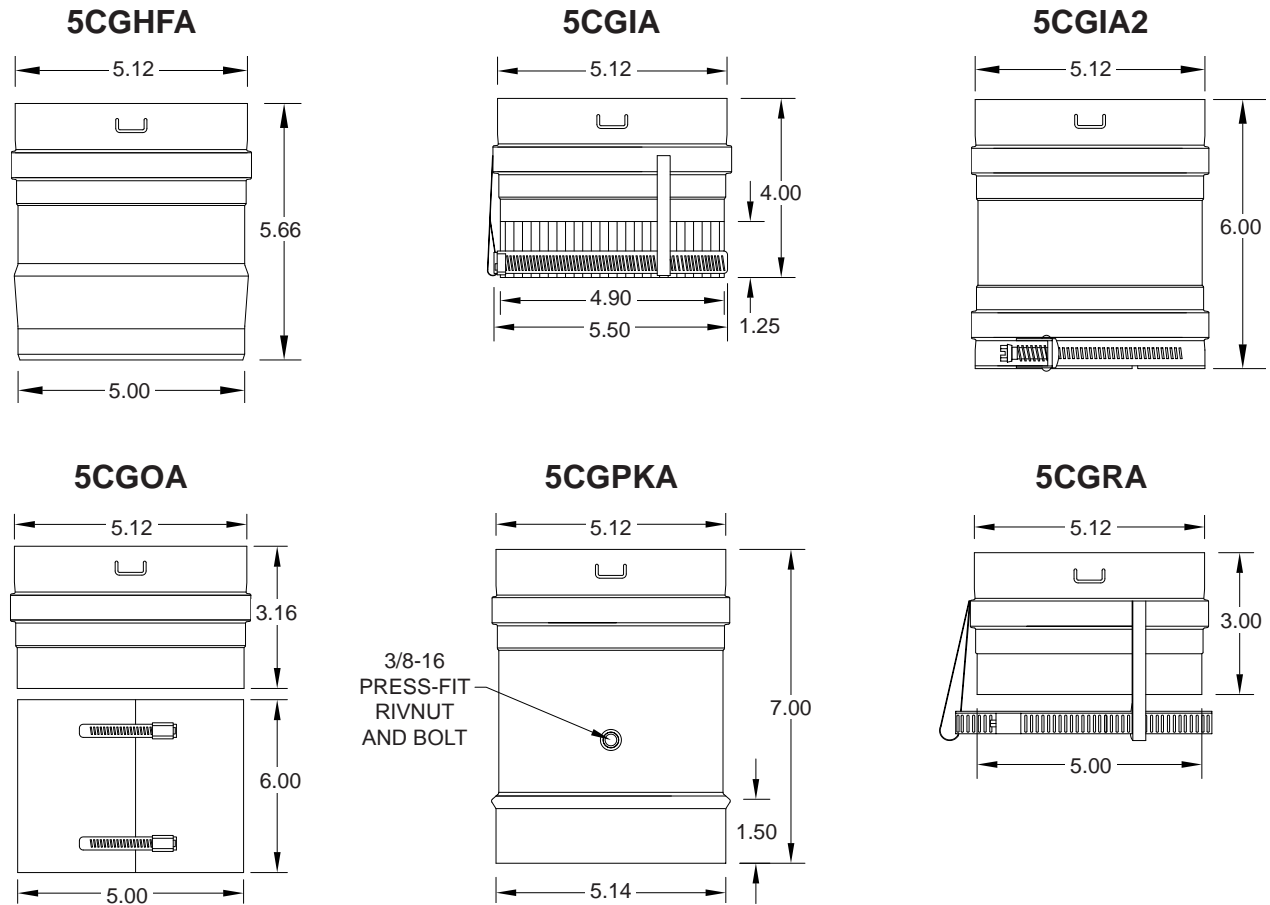


Metal-Fab, Inc. CORR/GUARD® Appliance Adapters 4" Adapters

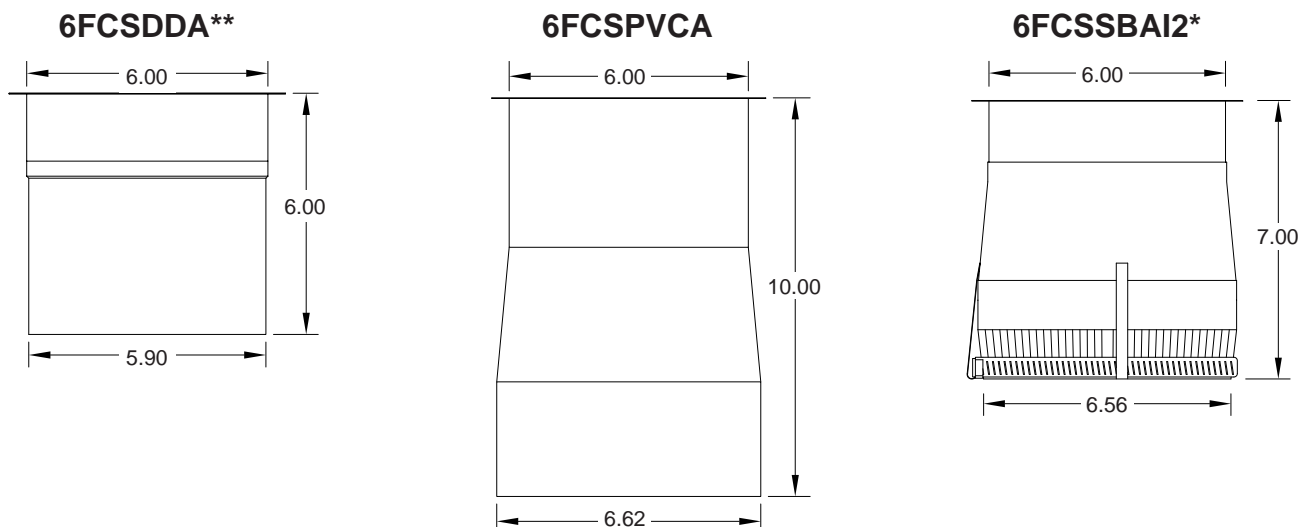


Metal-Fab, Inc. CORR/GUARD® Appliance Adapters

5" Adapters



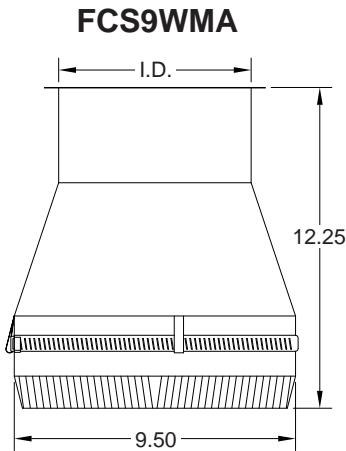
6" FCS Adapters



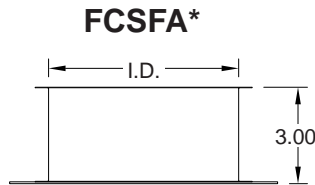
* Includes casing end closure

** Non-standard part, extended leadtimes may apply.

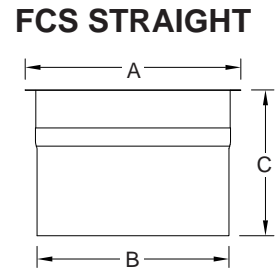
Metal-Fab, Inc. CORR/GUARD® Appliance Adapters 6" and Larger FCS Adapters



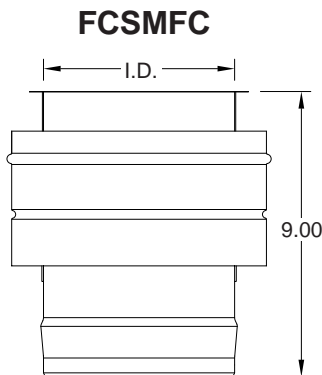
	I.D.
6FCS9WMA**	6.00
8FCS9WMA**	8.00



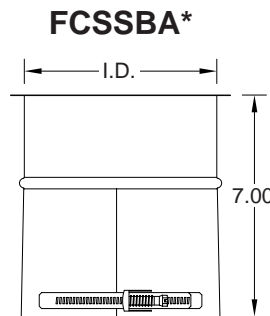
	I.D.
6FCSFA	6.00
8FCSFA	8.00
10FCSFA**	10.00
12FCSFA**	12.00
14FCSFA**	14.00



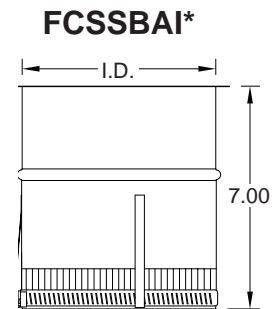
	A	B	C
6FCSLXL	6.00	6.00	6.00
7FCSLCA	7.00	7.00	6.00
8FCSPKA	8.00	7.90	6.00
8FCSLCA	8.00	8.00	6.00
9FCSLCA**	9.00	9.00	6.00
10FCSPKA	10.00	9.79	6.00
10FCSPKA2	10.00	10.00	6.00
14FCSLCA**	14.00	14.00	6.00
14FCSSBA**	14.00	13.77	10.00
16FCSSBA**	16.00	15.74	10.00
18FCSSBA**	18.00	17.71	10.00



	I.D.
6FCSMFC	6.00
8FCSMFC	8.00
10FCSMFC	10.00
12FCSMFC	12.00
14FCSMFC	14.00
16FCSMFC	16.00
18FCSMFC	18.00
20FCSMFC	20.00
22FCSMFC	22.00
24FCSMFC	24.00



	I.D.
6FCSSBA	6.00
7FCSSBA	7.00
8FCSSBA	8.00
9FCSSBA	9.00
10FCSSBA	10.00
12FCSSBA	12.00
14FCSSBA	14.00
16FCSSBA	16.00
18FCSSBA	18.00
20FCSSBA	20.00



	I.D.
6FCSSBAI	6.00
7FCSSBAI	7.00
8FCSSBAI	8.00
9FCSSBAI	9.00
10FCSSBAI	10.00
12FCSSBAI	12.00
14FCSSBAI	14.00
16FCSSBAI	16.00
18FCSSBAI	18.00
20FCSSBAI	20.00

* Includes casing end closure

** Non-standard part, extended leadtimes may apply.

