



Cottagewood 42" shown with traditional brick interior and outdoor Grand Oak gas logs

COTTAGEWOOD OUTDOOR WOOD FIREPLACE

Gather with family and friends around the crackle and aroma of a blazing fire as you take the chill off evenings and extend the outdoor season. The Cottagewood outdoor wood-burning fireplace is weather-proof for long life, while brick-like interior panels help create a nostalgic vibe.

The night comes alive as you stoke a fire, kick back and toast marshmallows. Cozy up around a classic wood burner that's low on upkeep but high on good looks—setting the mood where the best moments begin.

- 36" or 42" wide openings
- Tuckaway stainless-steel screens for open view of flames or to keep sparks in
- Easy damper control for airflow/smoke control on enclosed patios
- Safe on a wood or composite deck with a 20" protective hearth apron
- Mineral Gray traditional or herringbone brick interior panels
- Black painted grate keeps logs in place and burns more efficiently
- Place freestanding or next to an exterior wall

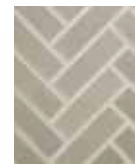


Cottagewood shown with traditional brick interior and outdoor Grand Oak gas logs

Interior Styles



Traditional

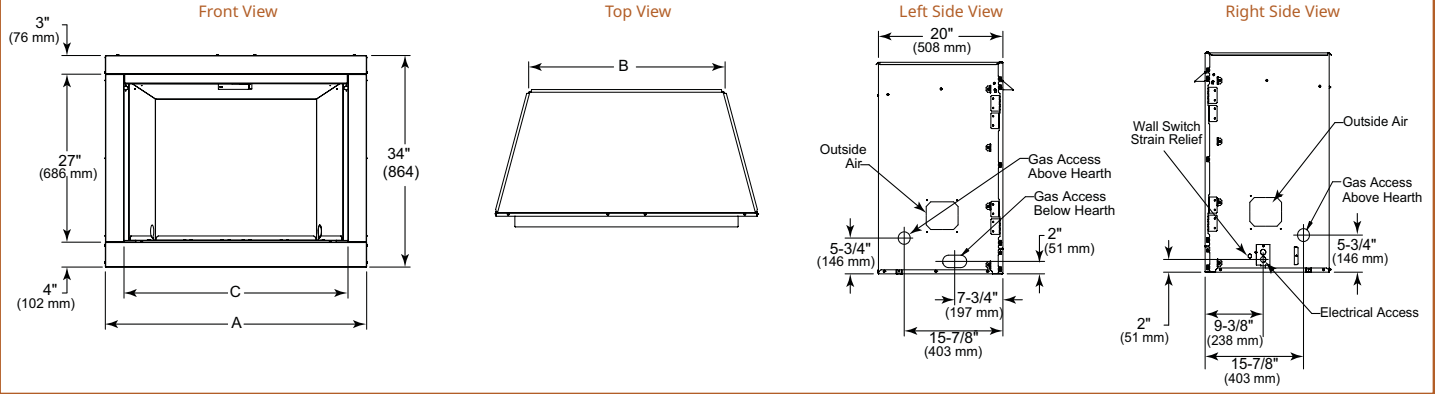


Herringbone

SPECIFICATIONS

VESPER

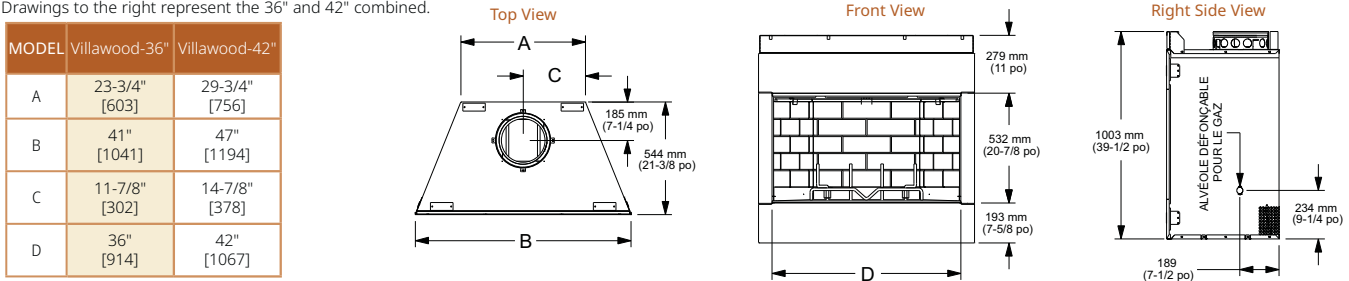
Model	Front Width A		Back Width B		Height		Depth		Viewing Area C	BTU/hr Input
	Unit	Framing	Unit	Framing	Unit	Framing	Unit	Framing		
Vesper 36"	42" [1067]	42-1/2" [1080]	31-1/4" [794]	42-1/2" [1080]	34" [864]	34-1/4" [870]	20" [508]	19-3/4" [502]	36" x 27" [914 x 686]	40,000
Vesper 42"	48" [1219]	48-1/2" [1232]	37-1/4" [946]	48-1/2" [1232]	34" [864]	34-1/4" [870]	20" [508]	19-3/4" [502]	42" x 27" [1067 x 686]	40,000



VILLA WOOD

Model	Front Width		Back Width		Height		Depth		Viewing Area
	Unit	Framing	Unit	Framing	Unit	Framing	Unit	Framing	
Villawood-36"	41" [1041]	42" [1067]	23-3/4" [603]	42" [1067]	39-1/2" [1003]	39-3/4" [1010]	21-3/8" [544]	21-1/2" [546]	36" x 20-7/8" [914 x 532]
Villawood-42"	47" [1194]	48" [1219]	29-3/4" [756]	48" [1219]	39-1/2" [1003]	39-3/4" [1010]	21-3/8" [544]	21-1/2" [546]	42" x 20-7/8" [1067 x 532]

Drawings to the right represent the 36" and 42" combined.

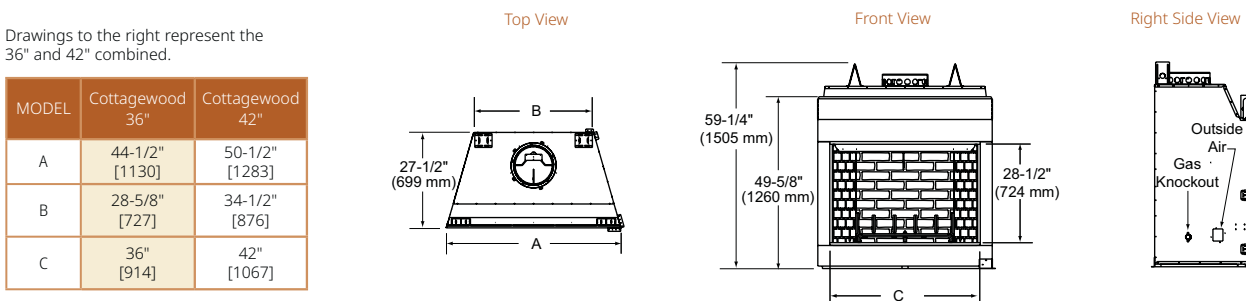


MODEL	Villawood-36"	Villawood-42"
A	23-3/4" [603]	29-3/4" [756]
B	41" [1041]	47" [1194]
C	11-7/8" [302]	14-7/8" [378]
D	36" [914]	42" [1067]

COTTAGEWOOD

Model	Front Width		Back Width		Height		Depth		Viewing Area
	Unit	Framing	Unit	Framing	Unit	Framing	Unit	Framing	
Cottagewood-36"	44-1/2" [1130]	45-1/2" [1156]	28-5/8" [727]	45-1/2" [1156]	59-1/4" [1505]	59-3/4" [1518]	27-1/2" [699]	28" [711]	36" x 28-1/2" [914 x 724]
Cottagewood-42"	50-1/2" [1283]	51-1/2" [1308]	34-1/2" [876]	51-1/2" [1308]	59-1/4" [1505]	59-3/4" [1518]	27-1/2" [699]	28-1/2" [724]	42" x 28-1/2" [1067 x 724]

Drawings to the right represent the 36" and 42" combined.



MODEL	Cottagewood 36"	Cottagewood 42"
A	44-1/2" [1130]	50-1/2" [1283]
B	28-5/8" [727]	34-1/2" [876]
C	36" [914]	42" [1067]