

P/N 506056-01 REV. C 03/2010

Direct-Vent

DAVE LENNOX
signature
COLLECTION

Tested &
Listed By  Portland
Oregon USA
OMNI-Test Laboratories, Inc.

OTL Report No. 050-S-18b-5

MODEL

SDVI

Ce manuel d'installation est disponible en français, simplement en faire la demande. Numéro de la pièce 506056-02.

WARNING AVERTISSEMENT

**HOT GLASS WILL
CAUSE BURNS.**

**DO NOT TOUCH GLASS
UNTIL COOLED.**

**NEVER ALLOW CHILDREN TO
TOUCH GLASS.**



**UNE SURFACE VITRÉE CHAUDE PEUT
CAUSER DES BRÛLURES.**

**LAISSER REFROIDIR LA SURFACE
VITRÉE AVANT D'Y TOUCHER.**

**NE PERMETTEZ JAMAIS À UN ENFANT
DE TOUCHER LA SURFACE VITRÉE.**

This appliance may be installed in an aftermarket permanently located, manufactured home (USA only) or mobile home, where not prohibited by local codes. This appliance is only for use with the type of gas indicated on the rating plate. This appliance is not convertible for use with other gases, unless a certified kit is used.

WARNING: If the information in these instructions is not followed exactly, a fire or explosion may result causing property damage, personal injury or death.

- Do not store or use gasoline or other flammable vapors and liquids in the vicinity of this or any other appliance.
- **WHAT TO DO IF YOU SMELL GAS**
 - Do not try to light any appliance.
 - Do not touch any electrical switch; do not use any phone in your building.
 - Immediately call your gas supplier from a neighbor's phone. Follow the gas supplier's instructions.
 - If you cannot reach your gas supplier, call the fire department.
- Installation and service must be performed by a qualified installer, service agency or the gas supplier.

**INSTALLER: Leave this manual with the appliance.
CONSUMER: Retain this manual for future reference.**

**INSTALLATEUR: Laissez cette notice avec l'appareil.
CONSOMMATEUR: Conservez cette notice pour consultation ultérieure.**

AVERTISSEMENT: Assurez-vous de bien suivre les instructions données dans cette notice pour réduire au minimum le risque d'incendie ou d'explosion ou pour éviter tout dommage matériel, toute blessure ou la mort.

- Ne pas entreposer ni utiliser d'essence ni d'autres vapeurs ou liquides inflammables dans le voisinage de cet appareil ou de tout autre appareil.
- **QUE FAIRE SI VOUS SENTEZ UNE ODEUR DE GAZ:**
 - Ne pas tenter d'allumer d'appareil.
 - Ne touchez à aucun interrupteur. Ne pas vous servir des téléphones se trouvant dans le bâtiment où vous trouvez.
 - Appelez immédiatement votre fournisseur de gaz depuis un voisin. Suivez les instructions du fournisseur.
 - Si vous ne pouvez rejoindre le fournisseur de gaz, appelez le service des incendies.
- L'installation et l'entretien doivent être assurés par un installateur ou un service d'entretien qualifié ou par le fournisseur de gaz.

CONGRATULATIONS!

When you purchased your new gas fireplace insert, you joined the ranks of thousands of individuals whose answer to their home heating needs reflects their concern for aesthetics, efficiency and our environment. We extend our continued support to help you achieve the maximum benefit and enjoyment available from your new gas fireplace insert.

Thank you for selecting a Lennox Hearth Products gas fireplace insert as the answer to your home heating needs.

TABLE OF CONTENTS

Using this Manual	2	Gas Line Installation	13
Safety and Warning Information.....	3	Gas Pressure Requirements	13
Orifice Size / Altitude Adjustment	5	LP and Natural Gas Supplies	13
Smoke Detectors.....	5	Air Shutter Adjustment.....	13-14
The SDVI Fireplace Insert	5	Attaching Safety In Operation Warnings	15
Fireplace Requirements	5	Operating Instructions	16-19
Codes and Approvals.....	6	Pre-Lighting Checklist	16
New York City, New York (MEA)	6	Lighting Instructions	16
Requirements For The Commonwealth of Massachusetts.....	6	Flame Color and Behavior.....	18
Pre-Installation.....	7-9	Paint Curing	18
Features.....	7	Quiet Operation	18
Packaging List	7	Blower Operation	18
Ratings	7	Optional Wall Thermostat	18
Insert and Fireplace Dimensions.....	8	Operating Options	19
Clearances to Combustibles	9	Millivolt Control System.....	19
Insert Leveling	9	Maintenance and Servicing	20-21
Installation.....	10-12	Maintenance Checklist.....	20
Venting Installation	10	Glass Maintenance	21
Zero Clearance Fireplace Installation.....	11	Door Removal	21
Log Set Installation.....	11	Fuel Conversion.....	22
Surround Panels Installation	12	Blower Removal	22
Face Installation	12	Troubleshooting.....	23
		Replacement Parts	24
		Accessories	24-25
		Insert Labels.....	26-27
		Product Reference Information	28

USING THIS MANUAL

Please read and carefully follow all of the instructions found in this manual. Please pay special attention to the safety instructions provided in this manual.

PRODUCT IS SUBJECT TO CHANGE WITHOUT NOTICE

IMPORTANT SAFETY AND WARNING INFORMATION

! WARNING

Young children should be carefully supervised when they are in the same room as the appliance. Toddlers, young children and others may be susceptible to accidental contact burns. A physical barrier is recommended if there are at risk individuals in the house. To restrict access to a fireplace or stove, install an adjustable safety gate to keep toddlers, young children and other at risk individuals out of the room and away from hot surfaces.

! AVERTISSEMENT

Les jeunes enfants devraient être surveillés étroitement lorsqu'ils se trouvent dans la même pièce que l'appareil. Les tout petits, les jeunes enfants ou les adultes peuvent subir des brûlures s'ils viennent en contact avec la surface chaude. Il est recommandé d'installer une barrière physique si des personnes à risques habitent la maison. Pour empêcher l'accès à un foyer ou à un poêle, installez une barrière de sécurité; cette mesure empêchera les tout petits, les jeunes enfants et toute autre personne à risque d'avoir accès à la pièce et aux surfaces chaudes.

! WARNING

Improper installation, adjustment, alteration, service or maintenance can cause injury or property damage. Refer to this manual. For assistance or additional information consult a qualified installer, service agency or the gas supplier.

! WARNING

Failure to comply with these installation instructions will result in an improperly installed and operating appliance, voiding its warranty. Any change to this appliance and/or its operating controls is dangerous.

! WARNING

Clothing or other flammable material should not be placed on or near the appliance.

! AVERTISSEMENT

On ne devrait pas placer de vêtements ni d'autres matières inflammables sur l'appareil ni à proximité.

! WARNING

Any safety screen or guard removed for servicing the appliance must be replaced prior to operating the appliance.

! AVERTISSEMENT

Tout écran ou protecteur retiré pour permettre l'entretien de l'appareil doit être remis en place avant de mettre l'appareil en marche.

! WARNING

Improper installation or use of this appliance can cause serious injury or death from fire, burns, explosion or carbon monoxide poisoning.

! WARNING

Children and adults should be alerted to the hazards of high surface temperature and should stay away to avoid burns or clothing ignition.

! AVERTISSEMENT

Les enfants et les adultes devraient être informés des dangers que posent les températures de surface élevées et se tenir à distance afin d'éviter des brûlures ou que leurs vêtements ne s'enflamment.

! WARNING

DO NOT ATTEMPT TO ALTER OR MODIFY THE CONSTRUCTION OF THE APPLIANCE OR ITS COMPONENTS. ANY MODIFICATION OR ALTERATION MAY VOID THE WARRANTY, CERTIFICATION AND LISTINGS OF THIS UNIT.

- ◆ **FOR YOUR SAFETY** do not install or operate this appliance without first reading and understanding this manual. Any installation or operation of the appliance deviating from that which is stated in this manual **WILL** void the warranty and may be hazardous.
- ◆ **INSTALLATION AND REPAIR SHOULD ONLY BE DONE BY A QUALIFIED SERVICE TECHNICIAN. DO NOT ATTEMPT TO SERVICE THE APPLIANCE YOURSELF.**
- ◆ Do not make any make-shift compromises during installation. Any modification or alteration may result in damage to the appliance or dwelling and will void the warranty, certification and listings of this unit.
- ◆ Failure to use manufacturer provided parts, variations in techniques and construction materials or practices other than those described in this manual may create a fire hazard and void the limited warranty.
- ◆ This gas appliance must be equipped for the proper fuel type and altitude at which it will be operated. Any operation outside the parameters outlined in this manual may result in a hazardous condition and will void the warranty. Please carefully read the sections pertaining to these subjects and/or be sure your appliance is properly equipped.
- ◆ Never use solid fuels such as wood, paper, cardboard, coal, or any flammable liquids, etc., in this appliance.
- ◆ Any grill, panel, or glass removed for service **MUST** be replaced prior to operating the appliance. Do not operate appliance with the glass front removed, cracked or broken.
- ◆ Gold and nickel plated surfaces must be cleaned with glass cleaner and a clean soft cloth before firing the first time or fingerprints will remain permanently. **NEVER** use brass polish to clean gold or nickel, this will remove the plating!!!
- ◆ When opening the lower door on the face while the appliance is burning, pull at the far left or far right vent openings, because the door is hot during operation.
- ◆ LHP, its employees, or any of its representatives assume no responsibility for any damages caused by an inoperable, inadequate, or unsafe condition as a result of any improper operation, service or installation procedures, whether direct or indirect.
- ◆ Due to high temperatures, the appliance should be located out of traffic and away from furniture and draperies.
- ◆ En raison des températures élevées, l'appareil devrait être installé dans un endroit où il y a peu de circulation et loin du mobilier et des tentures.
- ◆ Provide adequate clearances around air openings and adequate accessibility clearance for service and proper operation. Never obstruct the front openings of the appliance.
- ◆ These appliances are designed to operate on natural or propane gas only. The use of other fuels or combination of fuels will degrade the performance of this system and may be dangerous.
- ◆ These appliances are designed as supplemental heaters. Therefore, it is advisable to have an alternate primary heat source when installed in a dwelling.
- ◆ These appliances must not be connected to a chimney or flue serving a separate solid fuel burning appliance.
- ◆ These appliances are vented gas appliances. Do not burn wood or other material in these appliances.
- ◆ This appliance is only for use with the type of gas indicated on rating plate. This appliance is not convertible for use with other gases, unless a certified kit is used.
- ◆ Cet appareil doit être utilisé uniquement avec les types de gaz indiqués sur la plaque signalétique. Ne pas l'utiliser avec d'autres gaz sauf si un kit de conversion certifié est installé.
- ◆ Hot while in operation. Do not touch. Severe Burns may result. Keep children, clothing furniture, gasoline and other liquids having flammable vapors away.
- ◆ L'appareil est chaud lorsqu'il fonctionne. Ne pas toucher l'appareil. Risque de brûlures graves. Surveiller les enfants. Garder les vêtements, les meubles, l'essence ou autres liquides produisant des vapeur inflammables loin de l'appareil.
- ◆ This appliance may be installed in an aftermarket, permanently located, manufactured home (USA only) or mobile home, where not prohibited by local codes.
- ◆ Cet appareil peut être installé dans une maison préfabriquée (mobile) déjà installée à demeure si les règlements locaux le permettent.
- ◆ Ensure clearances are in accordance with local installation codes and the requirements of the gas supplier.
- ◆ Dégagement conforme aux codes d'installation locaux et aux exigences du fournisseur de gaz.
- ◆ Installation and repair should be done by a qualified service person. The appliance should be inspected before use and at least annually by a professional service person. More frequent cleaning may be required due to excessive lint from carpeting, bedding material, etcetera. It is imperative that control compartments, burners and circulating air passageways of the appliance be kept clean.
- ◆ L'installation et la réparation devrait être confiées à un technicien qualifié. L'appareil devrait faire l'objet d'une inspection par un technicien professionnel avant d'être utilisé et au moins une fois l'an par la suite. Des nettoyages plus fréquents peuvent être nécessaires si les tapis, la literie, et cetera produisent une quantité importante de poussière. Il est essentiel que les compartiments abritant les commandes, les brûleurs et les conduits de circulation d'air de l'appareil soient tenus propres.
- ◆ Do not use these appliances if any part has been under water. Immediately call a qualified, professional service technician to inspect the appliance and to replace any parts of the control system and any gas control which have been under water.
- ◆ Ne pas utiliser cet appareil s'il a été plongé, même partiellement, dans l'eau. Appeler un technicien qualifié pour inspecter l'appareil et remplacer toute partie du système de commande et toute commande qui a été plongée dans l'eau.
- ◆ Only trim kit(s) supplied by the manufacturer shall be used in the installation of this appliance.
- ◆ Seules les trousse de garniture fournies par le fabricant doivent être utilisées pour l'installation de cet appareil.
- ◆ **INSTALLER: THESE INSTRUCTIONS ARE TO REMAIN WITH THE HOME OWNER!**

ORIFICE SIZE/ALTITUDE ADJUSTMENT

For altitudes above 2,000 feet (In Canada 4,500 FT/1370 M), the orifice should be de-rated by 4% for every 1,000 feet to maintain the proper ratio of gas to air. Improper orifice sizing may result in damage and unsafe conditions. Changing the orifice should only be done by a qualified service technician. Contact your LHP dealer for proper orifice sizes.

SMOKE DETECTORS

Since there are always several potential sources of fire in any home, we recommend installing smoke detectors. If possible, install the smoke detector in a hallway adjacent to the room (to reduce the possibility of occasional false activation from the heat produced by the appliance). If your local code requires a smoke detector be installed within the same room, you must follow the requirements of your local code. Check with your local building department for requirements in your area.

THE SDVI FIREPLACE INSERT

- Must conform with all local, state, and national installation codes. In the absence of local codes, the installation must conform with National Fuel Gas Code ANSI Z223.1 - latest edition, also known as NFPA 54 (In Canada, the current CAN/CSA B149.1 installation code). Refer to the National Fuel Gas Code and local zoning and code authorities for details on installation requirements.
- Mobile home installations must conform with the Mobile Home Construction and Safety Standard, Title 24 CFR, Part 3280 (in Canada CAN/CSA Z240 MH), or, when such a standard is not applicable, the Standard for Mobile Home Installations, ANSI A225.1 - latest edition.
- Must be vented directly to the outside in accordance with the latest edition of the National Fuel Gas Code and must never be attached to a chimney serving a separate solid fuel burning appliance.
- Has been certified for use with either natural gas or propane.
- Is not for use with solid fuels.
- Is approved for sitting rooms and/or bedrooms.

Fireplace Requirements

These heaters are designed to be installed into an existing masonry fireplace (built to UBC 37 or ULC S628 standards) or factory built solid fuel, wood burning fireplace (listed to UL 127 or ULC S610) only. All exhaust gases must be vented outside the structure. Combustion air is drawn from outside the structure. When installing in a factory built fireplace, the fireplace grate must be removed and the damper must be removed or secured open.

If the factory-built fireplace has no gas access hole(s) provided, an access hole of 1-1/2 inches (38 mm) or less may be drilled through the lower sides or bottom of the firebox in a proper workmanship like manner. This access hole must be plugged with a non-combustible insulation after the gas supply line has been installed. The installer must mechanically attach the marking supplied with the gas fireplace insert to the inside of the firebox of the fireplace into which the gas fireplace insert is installed.

IMPORTANT: When installing these appliances into a factory built fireplace or heat-form, the air flow within and around the fireplace shall not be altered by the installation of the insert (i.e. DO NOT BLOCK louvers or cooling air inlet or outlet ports, circulating air chambers in a steel fireplace liner or metal heat circulator).

WARNING

THIS FIREPLACE HAS BEEN ALTERED TO ACCOMMODATE A FIREPLACE INSERT AND SHOULD BE INSPECTED BY A QUALIFIED PERSON PRIOR TO RE-USE AS A CONVENTIONAL FIREPLACE.

CODES AND APPROVALS

Certification

Gas appliances must be tested and certified by a nationally recognized testing and certification laboratory to ANSI (American National Standard Institute) gas appliance safety standards.

This insert has been tested and certified by OMNI -Test Laboratories to ANSI Z21.88/CSA 2.33 Standard for Vented Gas Fireplace Heater and CGA 2.17-M91 and UL 307B Gas Burning Heating Appliances for Manufactured (Mobile) Homes in both USA and Canada.

It has met all necessary ANSI Standards and is fully certified for installation in any community. If there are any questions or if you need further substantiation either write to or call your LHP dealer. If you have further questions, please contact LHP.

Check all local building and safety codes before installation. The installation instructions and appropriate code requirements must be followed exactly and without compromise. In the absence of local codes the following standards and codes must be followed.

The Installation must conform to local codes or, in the absence of local codes, with the *National Fuel Gas Code, ANSI Z223.1/NFPA 54 - latest edition* (In Canada, the current *CAN/CSA-B149.1 installation code*).

The appliance, when installed, must be electrically grounded and wired in accordance with local codes or, in the absence of local codes, with the *National Electrical Code, ANSI/NFPA 70 - latest edition*, or the *Canadian Electrical Code, CSA C22.1 - latest edition*.

NEW YORK CITY, NEW YORK (MEA)

Installation of these appliances are approved for installation in New York City in the US state of New York (MEA#: 138-07-E).

COMMONWEALTH OF MASSACHUSETTS REQUIREMENTS

(Massachusetts Approval #G3-0806-6)

These appliances are approved for installation in the US state of Massachusetts if the following additional requirements are met:

- Install this appliance in accordance with Massachusetts Rules and Regulations 248 C.M.R. Sec. 5.08 2(a) through 2(e).
- Installation and repair must be done by a plumber or gas fitter licensed in the Commonwealth of Massachusetts.
- The flexible gas line connector used shall not exceed 36 inches (92 centimeters) in length.
- The individual manual shut-off must be a T-handle type valve.

Massachusetts Horizontal Vent Requirements

In the Commonwealth of Massachusetts, horizontal terminations installed less than seven (7) feet above the finished grade must comply with the following additional requirements:

- A hard wired carbon monoxide detector with an alarm and battery back-up must be installed on the floor level where the gas fireplace is installed. The carbon monoxide detector must comply with NFPA 720, be ANSI/UL 2034 listed and be ISA certified.
- A metal or plastic identification plate must be permanently mounted to the exterior of the building at a minimum height of eight (8) feet above grade and be directly in line with the horizontal termination. The sign must read, in print size no less than one-half (1/2) inch in size, **GAS VENT DIRECTLY BELOW. KEEP CLEAR OF ALL OBSTRUCTIONS.**

PRE-INSTALLATION

Features

Installation Options

Residential - Vented Vertical Only
 Manufactured (Mobile) Home
 Natural Gas Or Propane (LP)
 Bedrooms
 Optional Wall-mounted Or Remote Thermostat

Electrical

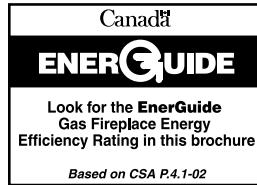
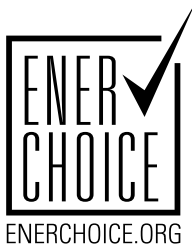
The blower motor requires 120 Volts AC for operation. The fireplace is not dependent on the blower or an outside electrical supply to operate.

Millivolt Valve

This insert is operated with a millivolt valve and therefore burns even during a power outage.

Fuel

This insert comes from the factory equipped to burn natural gas at a specified elevation. The insert can be converted to burn LP (liquid propane) by installing a conversion kit. Only LHP conversion kits can be used to convert from NG to LP or LP to NG. Contact your LHP dealer for details.



Packaging List

To install a SDVI insert, an insert body, face, surround (flange) kit are required.

Insert Body Packaging List

- 1 Insert Body with Burner Cassette
- 1 Log Set
- 1 Bag of Embers
- 1 Fasteners: 6 slotted 1/4" truss screws
6 speed nuts
9 spring clips
3 plastic adhesive wire restraints
- 1 Installation and Operation Manual

Decorative Face Kits - One Required

- Arched Black Nickel Face, Surround (27" x 39"), and Black Trim
- Arched Brushed Nickel Face, Surround (27" x 39"), and Black Trim
- Arched Black Face, Surround (27" x 39"), and Black Trim

Surround Components Include:

- 1 Top Surround
- 2 Side Surrounds
- 3 Black Extruded Trim Pieces
- 2 Elbowed Trim Fasteners

SDVI		
RATINGS	NATURAL GAS	LP GAS
Max/Min Input BTUh 0-2,000 Feet (0-610 M) ①	25,000/17,500	25,000/18,500
Manifold Pressure (IN. WC)	3.5	10.0
Min. Inlet Pressure (IN. WC)	5.0	10.5
P4 Efficiency ENERGUIDE ②	63.95%	67.20%
Orifice (DMS) 0-2,000 Feet (0-610 M) ①	#41 (.096")	#53 (.0595")
① Unit factory equipped for 0-2000 FT/0-610 M, In Canada 0-4500 FT/0-1370 M ② Tested to CSA P.4.1-02 "Testing Method for Measuring Annual Fireplace Efficiency. Electrical Rating: 120 VAC, 60 HZ, Less Than 2 Amps		

Insert Dimensions

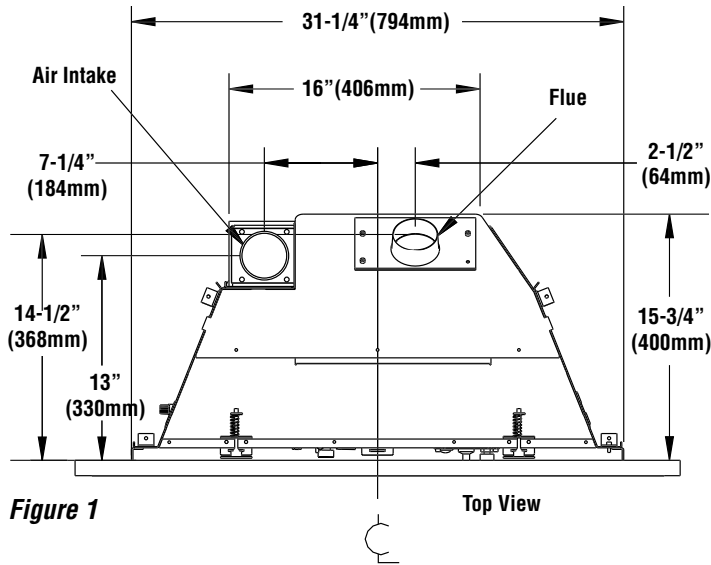


Figure 1

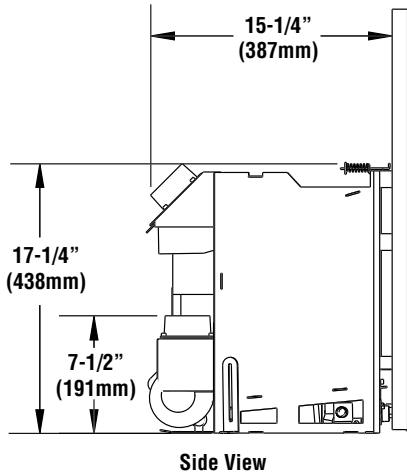


Figure 2

Insert Dimensions	
Width of insert behind Surround Panels	31-1/4" (794mm)
Rear height	17-1/4" (438mm)
Insert depth into fireplace	15-3/4" (400mm)
Flue center line from back of surround with 45° collar	13-3/4" (349mm)
Flue collar diameter (OD)	2-15/16" (75mm)

Minimum Fireplace Opening Required

- A = 31-1/4" (794mm) Front Opening
- B = 17-1/4" (438mm) Height
- C = 19" (483mm) Rear Width**
- D = 16" (406mm) Fireplace Depth

* Top air duct will need to be removed for short ZC applications. Replace tap tights when removed.

This dimension is with the air duct hood removed (see *Zero Clearance Fireplace Installation* on **Page 11).

Minimum Fireplace Cavity

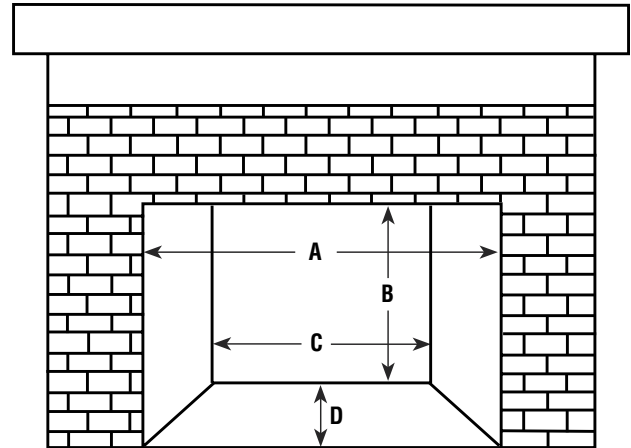


Figure 3

⚠ CAUTIONS

- Trim panels or surrounds must not seal ventilation openings in the existing fireplace that the appliance is installed in.
- The fireplace in which this gas insert is to be installed must be thoroughly cleaned if it has been used to burn wood or synthetic logs. Have the chimney and all inside surfaces of the fireplace brushed and vacuumed so that no soot, embers, or loose combustion deposits can be drawn into the heat circulation blower and blown into the living area.
- If any portion of the chimney system shows signs of structural or mechanical weaknesses, such as: cracks, leaky joints, corroded or warped surfaces, the faulty portion must be repaired or replaced prior to installing this appliance.
- The factory built firebox must accept the insert without modification other than removing bolted or screwed together pieces such as baffles / smoke shelf / deflectors, ash lips, glass door, screen or door tracks, log grates, refractory or masonry lining and damper assemblies. Any fireplace component, which is removed, must be retained so they can be reinstalled to restore the fireplace to its original operating condition. The removal of any part must not alter the integrity of the outer shell of the pre-engineered fireplace cabinet in any way. Any parts removed must be replaceable. If any components are removed from (or altered) from the existing fireplace, a Warning Label (see *Page 5*) must be affixed inside the fireplace firebox, so that it shall be visible upon removal of the fireplace insert. **Note: RTV high temperature silicone is an approved adhesive to affix the label.**

MINIMUM CLEARANCES TO COMBUSTIBLES

Minimum clearances include any projections such as shelves, window sills, mantels, spacers/standoffs or surfaces to combustible construction etc. above the appliance. Paint or lacquer used to finish the mantel must be heat resistant in order to avoid discoloration.

The letters below, E through J, correspond to **Figure 5** showing minimum clearances required from the appliance to combustibles and the minimum projection of the hearth extension.

E = 31-1/2" (800mm) from Top Facing to Bottom of Insert

F = 25-1/2" (648mm) from Center of Glass to Side Facing or Side Wall

J = 39" (991mm) from 10.5" (267mm) Mantel to Bottom of Insert

HEARTH PROTECTION

G = Minimum Hearth Protection from Front of Insert*

H = Vertical Distance from Insert Bottom to Combustible Material.

G	13"(330mm)	10"(254mm)	0"(0mm)
H	0"(0mm)	2"(21mm)	4"(102mm)

Note: Hearth protection to be min. 3/8" (10mm) thick non-combustible or equivalent, with a k factor of .84.

INSERT LEVELING

At each front and rear corner of the insert is an adjustable leg provided to level the insert should the hearth of the fireplace be uneven. To adjust the legs, loosen the two 5/32" allen head screws, move the leg to the desired height, and then tighten the screws. Repeat these steps for each adjusting leg.

Facing and Mantel Clearances

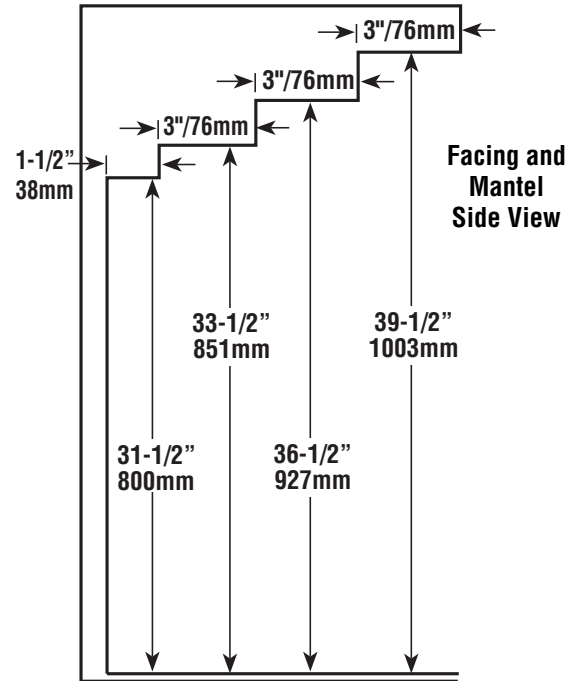


Figure 4

Clearances

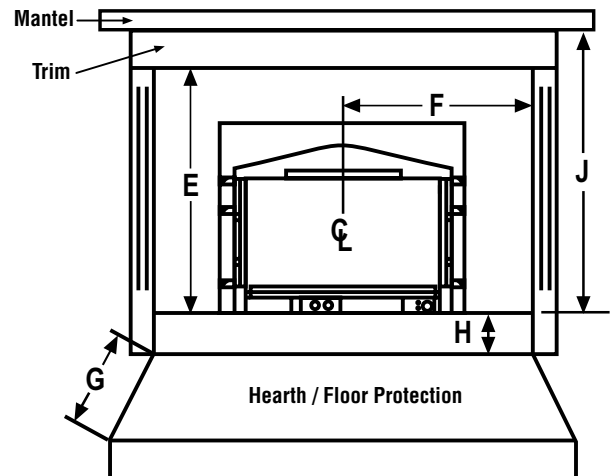


Figure 5

INSTALLATION

Venting Installation

Your Superior™ gas insert must be vented to the outside in accordance with the current edition of the National Fuel Gas Code ANSI-Z223.1 (In Canada, the current CAN/CSA B149.1 installation code). The insert must not be connected to a chimney flue serving a separate solid fuel burning appliance.

This gas insert requires a 3" diameter listed flex liner. The vent should terminate with a listed direct-vent termination cap. The chimney should be sealed around the cap to prevent air and rain from entering the chimney. Adhere to the vent manufacturer's instructions for installation and vent termination. These appliances are approved for use with the following vent kits.

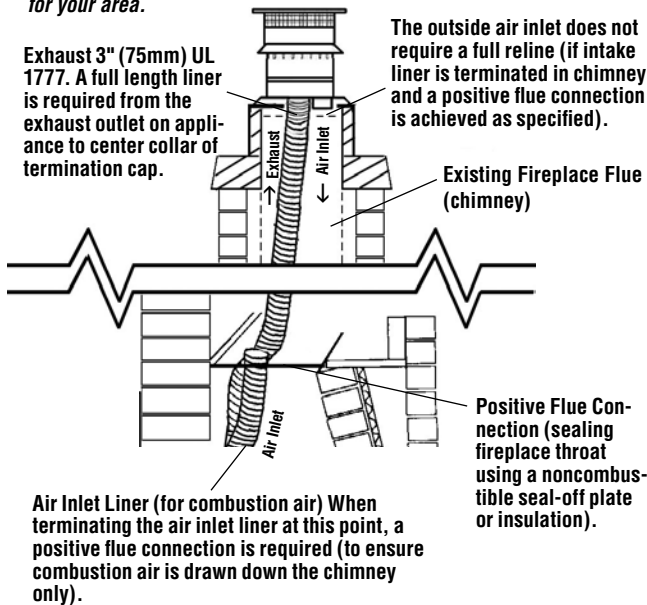
Vent Kits		
Cat. No.	Model	Description
H0909	FKDVI	Flex Liner Kit, DVI 3" X 35' (requires 2, one for exhaust and one for intake)
TKDVI	TKDVI	Termination Kit, DVI (termination cap and flashing)
DV3FK35	DV3FK35	Flex Liner and Termination Kit, 3" X 35' (includes 2 flex liners, termination and gear clamps)

Vertical Venting

The vent pipes must be connected to the proper collars on the unit and the exhaust vent pipe must be connected to the termination cap or the unit will not operate.

The combustion air intake pipe can be connected to the termination cap (see **Figure 6b**) or it can terminate inside the chimney (see **Figure 6a**). If combustion air intake pipe is terminated inside the chimney and not connected to the actual termination cap the bottom opening of the chimney (chimney throat) must be sealed around the vent pipes. Use a non-combustible seal-off plate (i.e. 22 gage sheet steel) or unfaced fiberglass insulation (8 lb per square foot density minimum) to seal around the vent pipes. Whichever "seal off" method is used must effectively seal the area to prevent room air passage to the chimney of the fireplace. The insulation may give off an odor during the first hour of operation.

NOTE: Terminating the air intake liner as shown here may not be allowed by some local codes. Check with the authority having jurisdiction for your area.



Masonry and Factory Built Fireplaces

Figure 6a - Terminating Air Inlet in Chimney

Note: The minimum vertical rise (exhaust vent) is 10 feet (3.1 M) and the maximum vertical rise is 35 feet (10.7 M). These dimensions are measured from the starting collars of the unit to the end of the vent pipe.

The fireplace and fireplace chimney must be clean and in good working order and constructed of non-combustible materials. Inspect chimney cleanouts for proper fit and seal.

* Other approved vent components include; Standard Simpson Dura-vent Co-linear Chimney Liner Kit, Direct-Vent Termination #991, Liner Termination Kit (includes termination connector and flashing) #923GK and 3" x 35' Alum Flex #2280

The standard cap in Termination Kit TKDVI, and in Vent Kit DV3FK35 is a high wind cap

The existing fireplace chimneys may take various contours which the flexible liners will accommodate. However, keep the flexible liner as STRAIGHT as possible, avoid unnecessary bending.

Liner Requirements:

Use 3" (76 mm) diameter listed gas vent liner (UL1777 ONLY) for the EXHAUST

Use 3" (76 mm) diameter listed liner (UL 181 or UL1777) for the AIR INTAKE.

Vertical Height Min. = 10 ft. (3.1 M)
Vertical height Max. = 35 ft. (10.7 M)

Note: Measured from flue collar on unit to the end of the vent pipe or liner

The flexible vent pipe must NOT be allowed to sag behind insert or in fireplace flue.

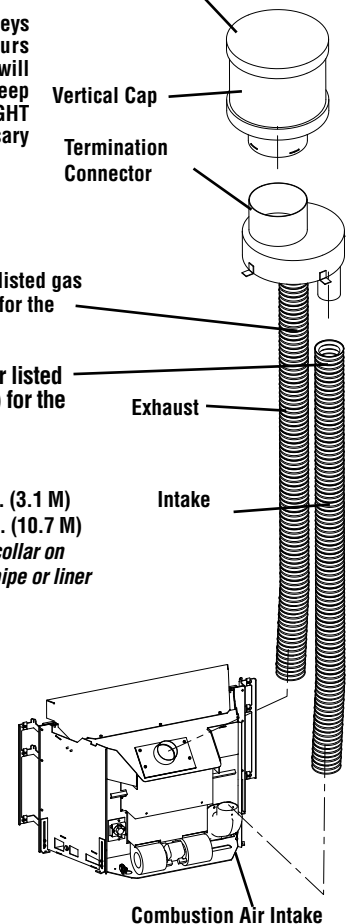


Figure 6b

Make sure that both liners will pass through existing damper area. Remove or lock damper to allow the passage of the flexible liners. If the damper will not allow the passage of both liners, DO NOT PROCEED FURTHER. (If fireplace is masonry) Consult a local mason for removal of the damper without risk of structural damage or leakage (if the fireplace is factory built) The appliance may NOT be installed into the fireplace.

WARNING

Direct-Vent Fireplace Insert Vent Requirements - Use liner listed to UL181 (Factory-made Air Ducts And Air Connectors) or UL1777 (Chimney Liners) for the AIR INTAKE. Use liner listed to UL1777 ONLY for the EXHAUST.

Do not substitute the heat-rated flex liner (UL1777) for the exhaust with any other type liner or a fire may result causing property damage, personal injury or loss of life.

Zero Clearance Fireplace Installation

This insert may be installed in a masonry or factory built/zero clearance (ZC) fireplace. When installing in a ZC fireplace, the ZC grate must be removed and the ZC damper must be removed or secured open. The ZC doors, screen, refractory or masonry lining, baffles, and smoke shelf may be removed if necessary to install the gas insert. However, do not cut or alter the fireplace components. The removal of any parts to facilitate installation must not alter the integrity of the inner or outer shells of the fireplace cabinet. Any parts removed must be replaceable if the insert is taken out of the fireplace or the fireplace must be clearly marked with the metal label that states: "This fireplace has been altered and is no longer safe to operate." The insert is designed to fit into a ZC fireplace with a minimum firebox height of 17-1/4" (438mm). To facilitate this the hood will need to be removed and discarded (**Note: The screws should be replaced in the insert body**). Installation of the flue collar is removable (see Flue Collar Connection).

If the factory-built fireplace has no gas access hole(s) provided, an access hole of 1-1/2" (37.5 mm) or less may be drilled through the lower sides or bottom of the firebox in a proper workmanship like manner. This access hole must be plugged with a non-combustible insulation after the gas supply line has been installed.

Si le foyer préfabriqué ne comporte pas d'orifices d'amenée du gaz, un orifice d'au plus 37,5 mm (1,5 po) peut être pratiqué, selon les règles de l'art, dans la partie inférieure des parois ou au fond de la chambre de combustion. Cet orifice doit être obturé au moyen d'isolant incombustible une fois la conduite de gaz en place.

The installer must mechanically attach the marking supplied with the gas fireplace insert to the inside of the firebox of the fireplace into which the gas fireplace insert is installed.

Log Set Installation

If logs are not installed according to the log installation instructions, flame impingement and improper combustion could occur and result in soot and/or excessive production of carbon monoxide (CO), a colorless, odorless, toxic gas.

The size and position of the log set is critical to achieve a safe, reliable and attractive flame pattern. Any attempt to use a different log set in the fireplace will void the warranty and will result in incomplete combustion, sooting, and poor flame quality.

***Brick Panels are not offered for the SDVI Gas Insert.**

1. Remove log rack (2 screws) and install rear log on retainer. See **Figures 7 and 8**.
2. Reinstall log rack with rear log. **IMPORTANT!!! SCREWS PASS THROUGH LOG RACK AND BURNER PAN.**
3. Install light layer of mineral wool directly over ports. See **Figure 9**.
 - A light layer will give a more constant rear flame.
 - A heavy layer will give more glow, but will need to be adjusted after light up.
4. Install front logs on retainer slots. See **Figure 10**.
5. Place top log on pin. See **Figure 11**.
6. Place black embers around perimeter of mineral wool. Important!!! Do not cover ports with black embers. See **Figure 11**.

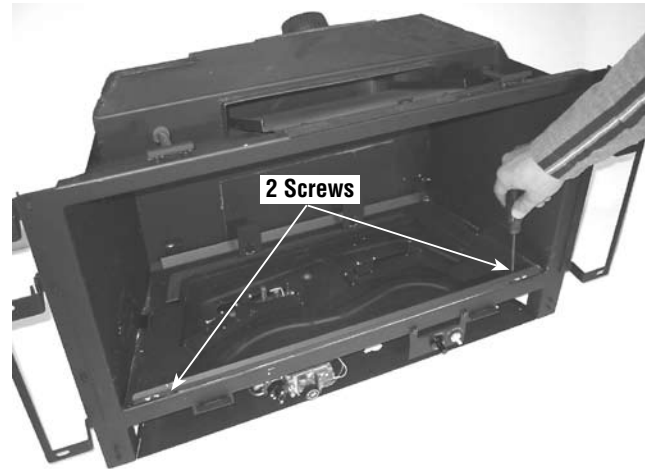


Figure 7

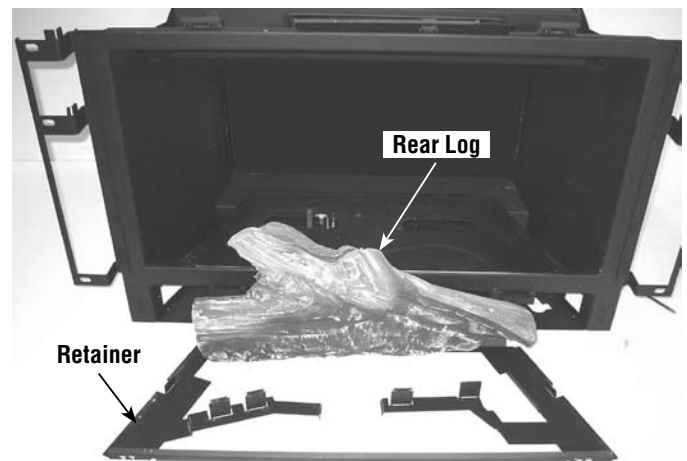


Figure 8



Figure 9

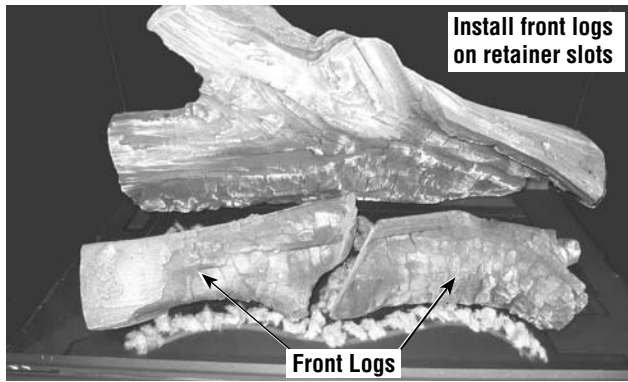


Figure 10

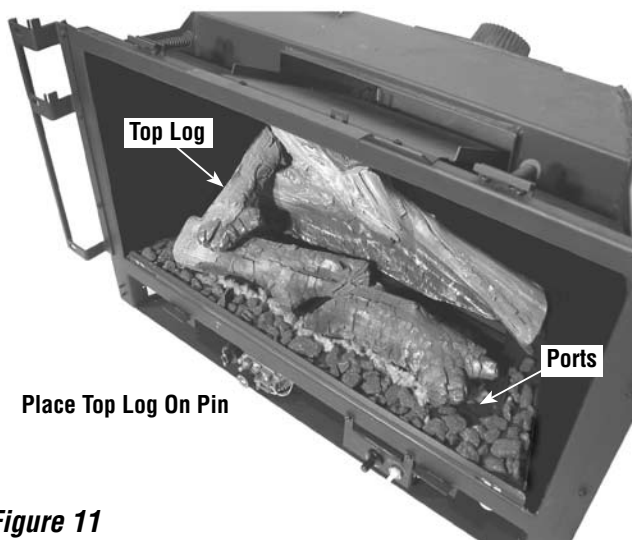


Figure 11

Surround Panels Installation

The SDVI insert surround panels are made of heavy gage steel for durability and, if desired, for the ease of making an inside fit in the fireplace.

1. Remove the speed nuts (A in **Figure 12**) from the parts bag and install (with the flat surface forward) on the six holes in the surround brackets - three on each side of the insert (B in **Figure 12**). A flat bladed screwdriver may help in installing the nuts.
2. Install all surround panels and trim with the insert positioned in the fireplace but a few inches in front of its final location.
3. Install the side surround panels by lining up the holes in the tabs on the side surround panels in front of the holes on the surround brackets. Next insert two slotted 1/4" truss screws for each side surround panel and secure loosely.

4. Fasten top surround panel with the remaining two truss screws. Tighten all six truss screws after adjusting the surround panels to eliminate space between side and top surround panels.
5. Assemble the surround trim by inserting the elbowed retainer in the rectangular slot in the ends of the longest piece of trim and secure by tightening the screw in the retainer. Slide the mitred ends of the two side trim pieces onto the elbowed retainer and secure by tightening the retainer screw.
6. The fastened trim pieces should now be horseshoe shaped. Slide the trim down over the surround panels so the edge of the surround panel fits just behind the rounded edge of the trim.
7. Install three spring clips (found in parts bag in firebox) in each piece of trim by inserting them between the rear of the surround panel and the channel of the trim. The spring clips will push the trim tight to the surround panel.

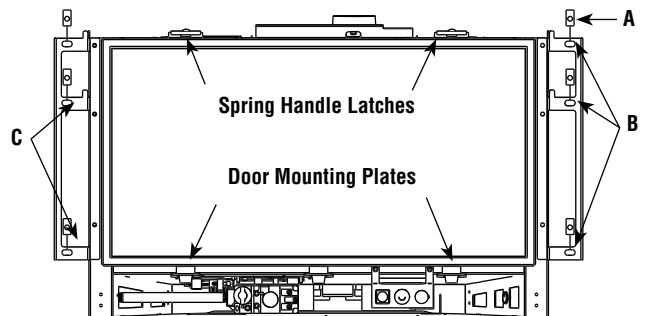


Figure 12

Face Installation

The faces come with hooked brackets. To install the face, hang the hooked brackets on the surround brackets per instructions provided in decorative face kit (C in **Figure 12**).

Gas Line Installation

After leveling, position the insert in the fireplace - holding it about six inches out from its final location.

CAUTION: Specific hearth requirements apply (see Clearances to Combustibles).

The SDVI gas insert must be connected to the gas line in accordance with local codes and/or the National Fuel Gas Code, ANSI Z223.1 (In Canada, the current CAN/CSA B149.1 installation code). The insert comes with an 8" nipple attached to the supply side of the gas valve. After connecting the gas line, all joints in the line and connections at the valve should be checked for leaks before final positioning of the unit. Conduct a gas leakage test of the appliance piping and control system downstream of the shutoff valve in the supply line to the appliance.

Gas Pressure Requirements

A MAJOR CAUSE OF OPERATING PROBLEMS WITH GAS APPLIANCES IS IMPROPER GAS PRESSURE!

The most important item to check during the initial installation and the first thing to check when operating problems occur is gas pressure! This appliance will not function properly unless the required gas pressure is supplied. See the table on this page for gas pressure requirements.

Two pressure taps are provided on the insert's valve to check gas pressures. The taps are located to the right of the on/off/pilot knob (see **Figure 15**). The bottom tap is the inlet (supply) pressure side. To check inlet pressure (with the insert burning), insert a small phillips screwdriver into the tap and turn a half turn counter-clockwise. Cover the tap with the line from a manometer and check the pressure. Close tap gently but securely after completing the check. The manifold (outlet) tap is above the inlet tap. To check manifold pressure (with the insert burning at the high burn setting) insert a small phillips screwdriver into the tap and turn a half turn counter-clockwise. Cover the tap with the line from the manometer and check the pressure. Again, close the tap gently but securely after completing the check. Check the taps for gas leaks with a gas leak test solution (retighten if necessary).

If the pressure is not sufficient, make sure the gas supply line is large enough, the supply regulator is properly adjusted, and the total gas load for the residence does not exceed the amount supplied.

Propane tanks are at pressures that will cause damage to valve components. Verify that the tanks have step down regulators to reduce the pressure to safe levels.

These appliances must be isolated from the gas supply piping system (by closing their individual manual shut-off valve) during any pressure testing of the gas supply piping system at test pressures equal to or **less than** 1/2 psig (3.5 kPa).

These appliances and their individual shut-off valves must be disconnected from the gas supply piping system during any pressure testing of that system at pressures **greater than** 1/2 psig (3.5 kPa).

Fuel Type	Inlet Pressure			Manifold Pressure	
	Desired	Minimum	Maximum	On Hi Fire	On Lo Fire
Natural Gas	7" WC	5" WC	10.5" WC	3.5" WC	1.7" WC
LP Gas	11" WC	10.5" WC	13" WC	10" WC	5.4" WC

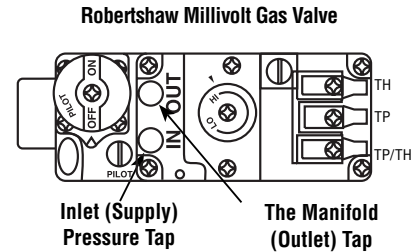


Figure 13

LP and Natural Gas Supplies

Your SDVI gas insert is equipped from the factory for use with natural gas only as specified on the Safety / Listing label attached to the appliance. This appliance can only be operated using propane gas (LP) if a certified fuel conversion kit provided by LHP is installed by a qualified service technician.

Also check the orifice size on the label on the igniter bracket. It must be the correct size for the fuel and altitude.

Do not run propane tank dry. Running the tank dry may cause a hazardous condition due to pressure drop in empty tank.

Solid fuel is NOT to be used with this unit.

Air Shutter Adjustment

The SDVI gas insert has an air shutter control lever located behind the lower door on the insert's face and to the left of the gas valve (see **Figures 14 and 15**). The lever is linked to the primary air shutter on the main burner. The air shutter regulates the amount of primary air the burner receives and therefore how clean the insert burns. The air shutter should only be adjusted by a qualified gas technician. The insert should burn for about 15 minutes with the logs installed before adjusting the air shutter. More air will result in shorter flames and less color, less air will result in bigger flames and more color. To adjust the air shutter, insert a regular screwdriver into the slide adjustment and slide it side to side (see **Figures 14 and 15**).

CAUTION: The air shutter should never be set so as to make the tips of the flames sooty or create sooting on the viewing glass, logs, or heat exchanger. If soot begins to form after burning, the air shutter should be opened gradually until the sooting condition stops. Gas quality and gas pressure may vary, which can affect the burning characteristics of the insert.

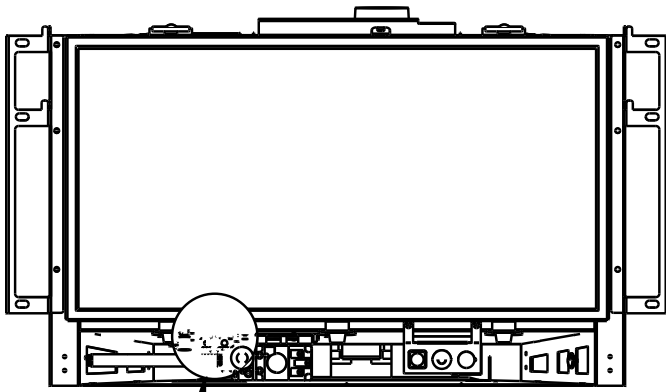
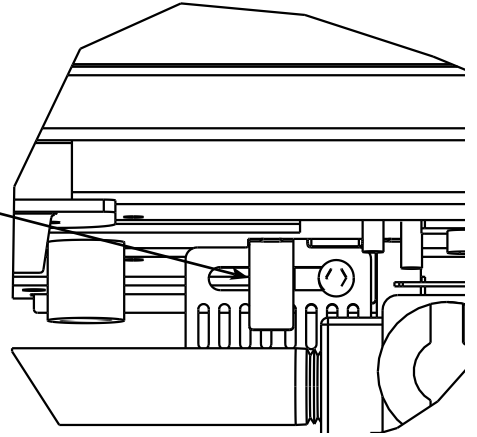


Figure 14

See Detail Shutter Adjustment

Moving shutter bracket to the right will open shutter, to the left will close shutter.



Shutter Adjustment Detail

Figure 15

INSTALLER INSTRUCTIONS - ATTACHING SAFETY IN OPERATION WARNINGS

It is the installers responsibility to ensure these warnings are properly affixed during installation. These warning labels are a critical step in informing consumers of safe operation of this appliance.

ATTACHING SAFETY IN OPERATION WARNINGS

It is required that the safety instruction labels furnished with the fireplace be affixed to the operation and control point of the fireplace. A safety instruction label must be affixed to the wall switch plate where the fireplace is turned on and off (*See Figure A*) or wall thermostat (*See Figure B*) and if used on the remote control handheld transmitter (*Figure C*). To properly complete the installation of this fireplace, locate the multi-lingual adhesive labels provided with the Care and Operation Instructions and proceed as follows:

1. Locate the wall switch or wall thermostat that controls the fireplace (verify the switch operates the fireplace by turning it on and off). Clean the wall switch plate or wall thermostat thoroughly to remove any dust and oils. Affix the label to the surface of the plate of the wall switch that controls the fireplace (*Figure A*) or the wall thermostat (*Figure B*). Choose the language primarily spoken in the home. If unknown, affix the English language label.
2. If a remote control is used to control the fireplace, locate the transmitter and clean it thoroughly to remove any dust and oils. Affix the label to the surface of handheld transmitter (*Figure C*). Choose the language primarily spoken in the home. If unknown, affix the English language label.
3. If you are unable to locate the labels, please call Lennox Hearth Products or your nearest Lennox Hearth Products dealer to receive additional safety instruction labels free of charge.

Cat. No. H8024 Replacement Label Kit

LENNOX HEARTH PRODUCTS
1-800-9-LENNOX

Note: English is red text on clear label. French and Spanish are white text on black label.

APPOSITION DES MISES EN GARDE RELATIVES À LA SÉCURITÉ D'UTILISATION

Il est impératif que les étiquettes de sécurité fournies avec le foyer soient collées à côté des dispositifs de contrôle du foyer. Une étiquette de sécurité doit être collée sur la plaque de l'interrupteur contrôlant l'allumage du foyer (*voir Figure A*) ou sur le thermostat mural (*voir Figure B*) et, le cas échéant, sur le boîtier de la télécommande (*Figure C*). Pour achever l'installation correcte de ce foyer, procédez comme suit avec les étiquettes adhésives en langues étrangères fournies avec les instructions d'utilisation et d'entretien :

1. Repérez l'interrupteur ou le thermostat mural qui contrôle le foyer (vérifiez que l'interrupteur contrôle le fonctionnement du foyer en le faisant basculer de Marche à Arrêt, et vice-versa). Nettoyez soigneusement la plaque murale de l'interrupteur ou le thermostat mural pour éliminer la poussière et les traces de graisse ou d'huile. Collez l'étiquette sur la surface de la plaque de l'interrupteur mural qui contrôle le foyer (*Figure A*) ou du thermostat mural (*Figure B*). Choisissez la langue qui est principalement parlée dans la résidence du propriétaire. En cas de doute, collez l'étiquette en anglais.
2. Si une télécommande est utilisée pour contrôler le foyer, nettoyez la soigneusement pour éliminer la poussière et les traces de graisse ou d'huile. Collez l'étiquette sur le boîtier de la télécommande (*Figure C*). Choisissez la langue qui est principalement parlée dans la résidence du propriétaire. En cas de doute, collez l'étiquette en anglais.
3. Si vous ne trouvez pas les étiquettes, veuillez appeler Lennox Hearth Products ou votre distributeur Lennox Hearth Products local pour recevoir gratuitement des étiquettes supplémentaires.

Étiquettes de remplacement, n° cat. H8024

LENNOX HEARTH PRODUCTS
1-800-9-LENNOX

Remarque : Le texte anglais est rouge sur un support transparent. Le texte français et espagnol est blanc sur un support noir.

COLOCACIÓN DE ADVERTENCIAS DE SEGURIDAD EN OPERACIÓN

Se requiere que las etiquetas de instrucciones de seguridad incluidas con la chimenea se coloquen en el punto de operación y control de la misma. Se debe colocar una etiqueta de instrucciones de seguridad en la placa del interruptor de pared desde el cual se enciende y se apaga la chimenea (*ver la Figura A*) o en el termostato de pared (*ver la Figura B*) y en el transmisor de control remoto (*Figura C*) si se usa. Para completar correctamente la instalación de esta chimenea, encuentre las etiquetas adhesivas multilingües incluidas con las instrucciones de cuidado y operación y haga lo siguiente:

1. Identifique el interruptor o el termostato de pared que controla la chimenea (verifique que el interruptor opera la chimenea encendiéndola y apagándola). Limpie bien la placa del interruptor o el termostato de pared para quitar el polvo y aceite. Pegue la etiqueta en la superficie de la placa del interruptor que controla la chimenea (*Figura A*) o en el termostato de pared (*Figura B*). Seleccione el idioma que más se habla en la casa. Si no sabe cuál es, use la etiqueta en inglés.
2. Si se usa un control remoto para controlar la chimenea, encuentre el transmisor y límpielo bien para quitar el polvo y aceite. Pegue la etiqueta en la superficie del transmisor (*Figura C*). Seleccione el idioma que más se habla en la casa. Si no sabe cuál es, use la etiqueta en inglés.
3. Si no puede encontrar las etiquetas, sírvase llamar a Lennox Hearth Products o al distribuidor de Lennox Hearth Products más cercano para recibir etiquetas de instrucciones de seguridad adicionales gratuitas.

Juego de etiquetas de repuesto - N° de cat. H8024

LENNOX HEARTH PRODUCTS
1-800-9-LENNOX

Nota: La etiqueta en inglés es transparente con texto rojo. Las etiquetas en francés y español son negras con texto blanco.

DIAGRAMMES DES ÉTIQUETTES DE SÉCURITÉ / DIAGRAMAS DE ETIQUETAS DE SEGURIDAD / SAFETY LABEL DIAGRAMS

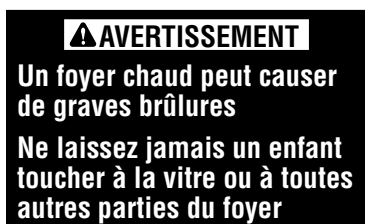


Figure A

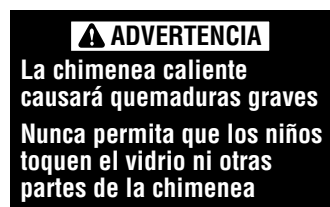
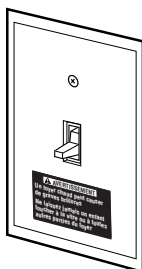


Figure B

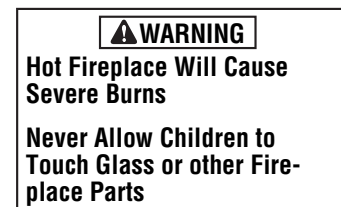


Figure C



NOTE: DIAGRAMS & ILLUSTRATIONS ARE NOT TO SCALE.

Operating Instructions

Pre-Lighting Checklist

Be sure to check these items before the initial lighting of the insert:

- The insert gas label corresponds to the gas supply available - that is "natural gas" for natural gas or "LP gas" for LP gas.
- Gas pressure has been checked carefully - see **Page 13**.
- All gas fittings have been checked for leaks.
- All clearances to combustibles have been met-see **Page 9**.
- All combustible materials have been removed from the area in front of the insert.
- All vented areas of the insert face are unobstructed.
- House is ventilated to clear initial paint curing odors - see **Page 18**.
- All packaging materials have been removed from the firebox.
- While insert is cool, fingerprints or other marks have been cleaned from any gold or nickel surfaces with denatured alcohol and a soft cloth. Marks left on these surfaces may become etched into the finish if not removed prior to burning the unit.
- Log set have been installed.
- The glass door is in place and is properly sealed.

Lighting Instructions

The following is a copy of the operating and lighting instructions found with each insert:

FOR YOUR SAFETY READ BEFORE OPERATING

WARNING: IF YOU DO NOT FOLLOW THESE INSTRUCTIONS EXACTLY, A FIRE OR EXPLOSION MAY RESULT CAUSING PROPERTY DAMAGE, INJURY, OR LOSS OF LIFE.

CAUTION: HOT WHILE IN OPERATION. DO NOT TOUCH. KEEP CHILDREN, FURNITURE, GASOLINE, AND OTHER LIQUIDS WITH FLAMMABLE VAPORS AWAY. NEVER OPERATE UNIT WITH GLASS OFF OR ATTEMPT TO REMOVE THE GLASS WHILE HOT.

- A. This appliance is equipped with a piezo ignition device to light the pilot. When lighting the pilot, follow these instructions exactly.
- B. **BEFORE LIGHTING**, smell around the appliance area for gas. Be sure to smell next to the floor, because some gas is heavier than air and will settle on the floor.


WHAT TO DO IF YOU SMELL GAS:





- DO NOT** try to light the appliance.
- DO NOT** touch any electric switch,
- DO NOT** use any phone in the building. Immediately call your gas supplier from a neighbor's phone. Follow the gas supplier's instructions. If you cannot reach your gas supplier, call the fire department.
- C. Use only your hand to push in or turn the gas control knob. Never use any tool. If the knob will not push in or turn by hand, don't try to repair it, call a qualified service technician. Force or attempted repair may result in a fire or explosion.
- D. **DO NOT** use this appliance if any part has been under water. Immediately call a qualified service technician to inspect the appliance and to replace any part of the control system and any gas control which has been under water.

OPERATING INSTRUCTIONS


CAUTION: YOUR SUPERIOR™ GAS INSERT MUST ALWAYS BE OPERATED WITH GLASS IN PLACE.

STOP!! Read the safety information above before proceeding.

1. Open the lower door. Make sure gas supply shut-off cocks are open and ON/OFF rocker switch is "OFF." If equipped with a thermostat, set it to the lowest setting.
2. Turn off all electrical power to the appliance.
3. Push in gas cock dial slightly and turn clockwise  to "OFF."
Note: Dial cannot be turned from "PILOT" to "OFF" unless dial is pushed in slightly. Do not force.
4. Wait five minutes to clear out any gas. Then smell for gas, including near the floor. If you smell gas, STOP! Follow "B" above. If you don't smell gas continue.

5. Locate the pilot by looking over the top of the left front log. A blue flame will be seen when the pilot is lit.
6. Turn the gas control knob counter-clockwise  to the "PILOT" position.
7. Push the knob all the way in and hold in that position. Immediately light the pilot by pressing the igniter button several times until pilot is lit. Continue to hold the knob in for about 30 seconds after the pilot is lit. Release knob and it will pop back out. Pilot should remain lit. If it goes out, repeat steps 4-8 holding knob in an additional 15 seconds after pilot is lit. If knob does not pop out when released, stop and immediately call your service technician or gas supplier. If the pilot will not stay lit after several tries, turn the gas control knob to "OFF" and call your service technician or your gas supplier.
8. After pilot is lit, turn gas control knob counter-clockwise  to "ON." Knob can only be turned to "ON" if the knob has popped out.
9. To turn burner on, turn "ON/OFF" rocker switch to "ON" or set the thermostat to the desired temperature above room temperature.
10. Adjust the flame height (and heat output) by turning the flame height knob clockwise  for full flame and counter-clockwise  for reduced flame.
11. Turn on the electric power to the appliance and set the blower to the desired air flow after it turns on when the appliance reaches operating temperature.

TO TURN OFF GAS TO APPLIANCE

1. Turn off the "ON/OFF" rocker switch and/or thermostat (if installed) to its lowest setting.
2. Turn off electric power to the appliance if service is to be performed.
3. Push in gas control knob slightly and turn clockwise  to "OFF." Do not force.

This appliance needs fresh air for safe operation and must be installed so there are provisions for adequate combustion and ventilation air.

SHUTDOWN PROCEDURE

To turn off the burner, turn the rocker switch to "OFF" or adjust the thermostat (if installed) to a setting below room temperature. The pilot will remain lit for future burner ignition. For complete shutdown, see "TO TURN OFF GAS TO APPLIANCE" above.



WARNINGS

- **Operation of this appliance when not connected to a properly installed and maintained venting system can result in carbon monoxide (CO) poisoning and possible death.**
- **Carbon monoxide poisoning – early signs of carbon monoxide poisoning resemble the flu with headaches, dizziness, or nausea. If you have these signs, get fresh air at once! Have the heater inspected by a qualified service technician. Some people are more affected by carbon monoxide than others. These include pregnant women, people with heart or lung disease or anemia, those under the influence of alcohol, and those at high altitudes.**

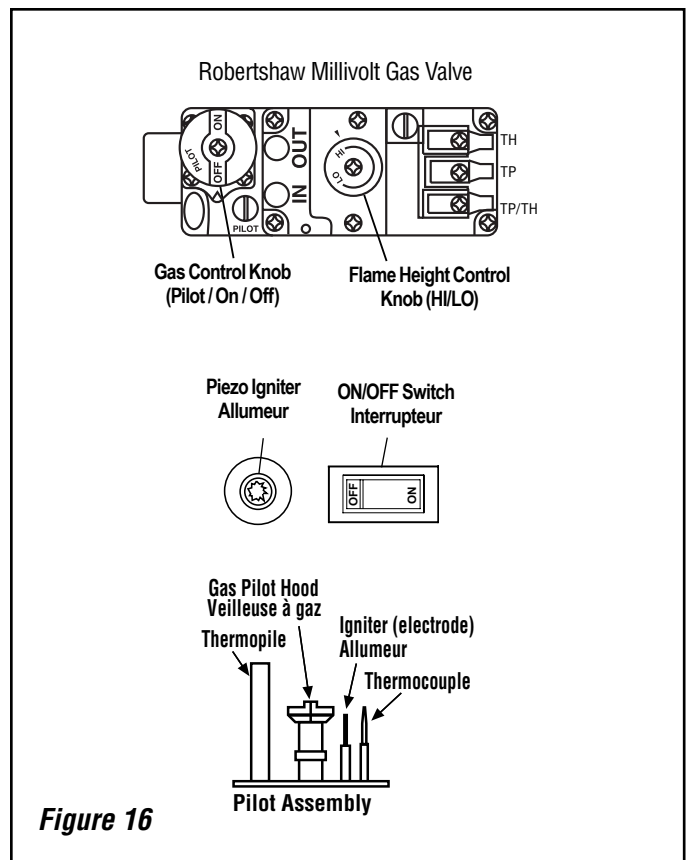


Figure 16

Flame Color and Behavior

Your SDVI gas insert is designed for maximum heating efficiency. Therefore, upon lighting of the main burner the flames will be semi-transparent or “bluish.” After 10-20 minutes of operation the logs will heat up and the flames will become a yellow/orange color.

Adjusting the insert to cause the flames to turn orange sooner may result in poor combustion, sooting, and a hazardous situation. See the drawing to the right showing proper flame appearance.

When testing for proper operation - If an optional thermostat is installed adjust it to its highest temperature setting. Visually determine that main burner gas is burning properly: i.e., no floating, lifting or flashback. Adjust the primary air shutter(s) as required. Check for proper main burner operation at both high and low flame.

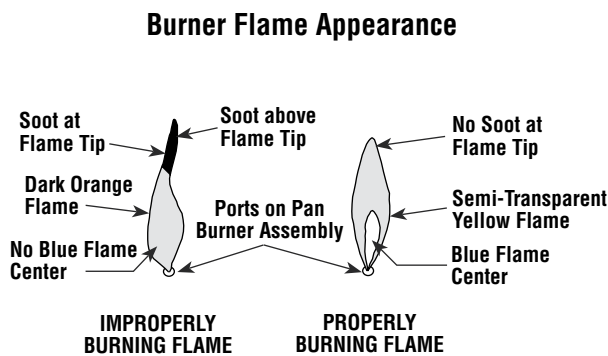


Figure 17

Paint Curing

This insert has been painted with a high temperature metallic stove paint. It leaves the factory dry to the touch, but finishes curing as the insert is used. Fire the insert four successive times for ten minutes each time with a five minute cool down between each firing. Ventilate the house during these first firings as the paint gives off an unpleasant odor. It is recommended that persons sensitive to an imbalance in the indoor air quality avoid the insert during the curing process.

Quiet Operation

As the SDVI gas insert is burning, a number of normal operational sounds may be heard. The flow of gas through the gas valve and orifice may make a rushing or whistling noise. If this noise is objectionable, it can be reduced by turning down the flame. Turning down the flame can reduce total heat output by more than 30%. When the blower turns on, the sound of rushing air may be heard. The blower sounds may be reduced by adjusting the speed control located on the blower assembly. Also, a slight clicking sound may be heard as the gas valve or blower switch turn on and off.

Blower Operation

Your SDVI gas insert comes equipped with a 150 CFM blower with a variable speed control and an automatic temperature activated On/Off snap switch.

Operation:

1. Plug the blower power cord into a grounded (three-prong) outlet. This appliance is equipped with a three-prong (grounding) plug for your protection against shock hazard and should be plugged directly into a properly grounded three-prong receptacle. Do not cut or remove the grounding prong from this plug.
2. After the insert warms up, the blower will turn on if the speed control (located at the right below the firebox) is left in the "ON" position. The blower will not operate until the insert is warm.
3. Once the blower turns on, turn the knob to the desired speed. No further adjustment is necessary.
4. If you do not wish to have the blower on, turn the knob until it clicks into the "OFF" position.

Optional Wall Thermostat

If an optional wall thermostat is to be installed, install the thermostat per the manufacturers instructions (provided with the thermostat). Failure to follow manufacturers instructions could result in a malfunction. Pay special attention to the thermostat location requirements. If the location requirements are not adhered to the appliance, erratic operation or failure may occur.

Do not mount the thermostat where it may be affected by:

- Radiant heat from this appliance, fireplaces, sun or other heat sources.
- Drafts or dead spots behind doors or in corners.
- Hot or cold air from ducts.

Operating Options

The rocker switch on your SDVI gas insert is used to turn the burner on and off while the pilot is on. The rocker switch can be installed in the hole in the right side of the top surround panel or in the hole in the panel to the left of the igniter button. The hole in the panel is covered by a label which must be carefully cut out before installing the rocker switch. The switch must be disconnected from the coil of wire to which it is attached, the plastic nut unscrewed from the back side of the switch, and then the switch can be inserted into the hole at either location. If the switch is to be located in the surround, route the wire behind the igniter bracket and through the hole in the lower right side of the insert. Attach the three plastic adhesive wire restraints (found in the bag in the firebox) to the side surround panel. Feed the wire through these restraints and up to the switch. Care should be taken to ensure the wire does not come in contact with the hot surfaces of the firebox. Reconnect the wires to the switch.

A wall-mounted switch, a millivolt wall thermostat, or a remote control, can be used to supplement the rocker switch. The gas valve is powered by millivolts generated by the pilot assembly. This millivolt system is very sensitive to electrical resistance, therefore, make sure all connections are tight, clean, and free from corrosion. Do not splice any millivolt wires. Consult the table on this page to determine the proper gage of wire for the thermostat or wall switch connections. This table refers to the total length of the wire (out to the switch and back). The thermostat must be a millivolt type. A 24-volt furnace thermostat will not work. Never hook up household current - 120 Volts - to the millivolt system. It is not recommended to hook up any more than two switches to the insert (for example a rocker switch and a wall thermostat). Additional switches may affect the system resistance and increase the chance of the burner not igniting. Follow the instructions included with the thermostat or remote control for wiring.

The thermostat, remote control, and rocker switch will turn the burner on and off independently. Be sure to set the rocker switch to the "OFF" position when using the thermostat or remote control and set the thermostat or remote control to the lowest temperature when you wish to use the rocker switch only, otherwise one may override the other. If a remote thermostat is to be used with the insert, do not place the receiver under the firebox.

Thermostat Wire	
Wire Size	Maximum Length
12 Gage	100 Feet
14 Gage	64 Feet
16 Gage	40 Feet
18 Gage	25 Feet
20 Gage	16 Feet

Millivolt Control System

This fireplace operates on a millivolt control system. As such, no additional power supply is needed for the fireplace to heat. The pilot assembly contains a thermocouple, that when heated by the pilot flame, generates electricity (millivolts- $mV=1/1000$ of a volt) which opens a valve allowing gas to flow to the pilot assembly. The pilot assembly also contains a thermopile, that when heated by the pilot flame, generates electricity that flows to terminal #1 (labeled THTP) on the gas valve. When the electricity is conducted from terminal #1 through the on/off switch, thermostat, or receiver of the remote control to terminal #3 (labeled TH) on the gas valve, the main burner will ignite.

CAUTION: Label all wires prior to disconnection when servicing controls. Wiring errors can cause improper and dangerous operation.

ATTENTION: Au moment de l'entretien des commandes, étiquetez tous les fils avant de les débrancher. Des erreurs de câblage peuvent entraîner un fonctionnement inadéquat et dangereux.

Millivolt Control Schematic

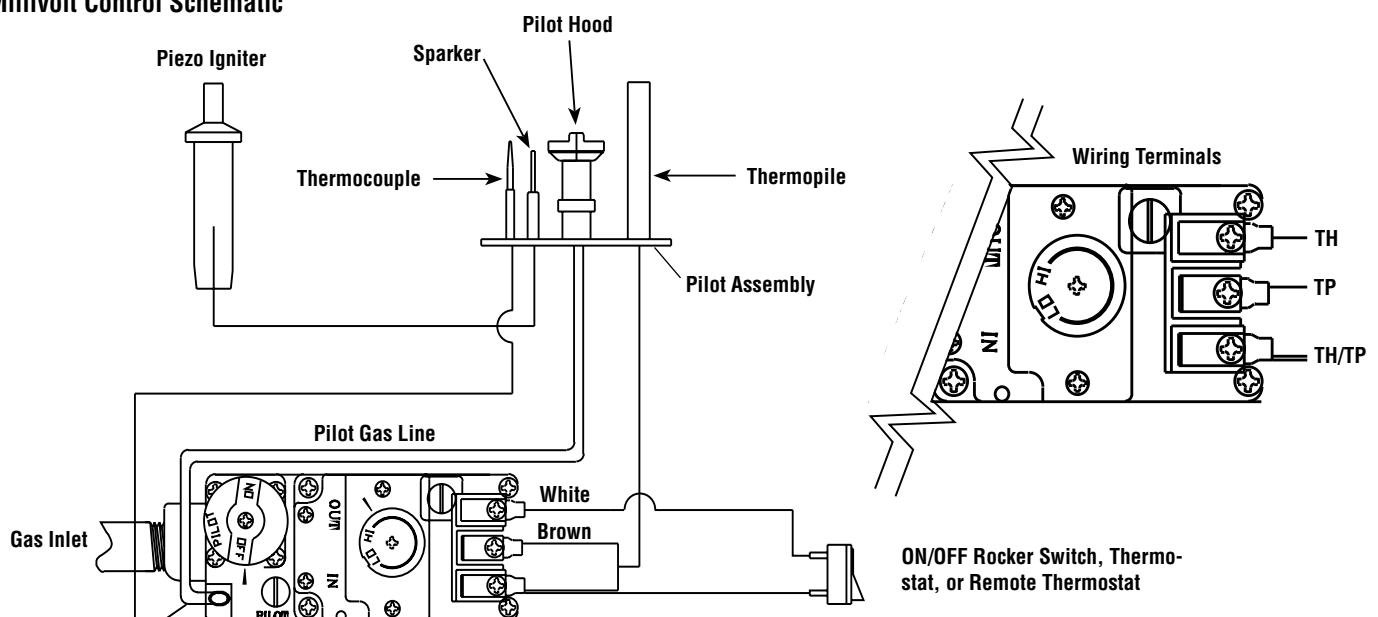


Figure 18

NOTE: DIAGRAMS & ILLUSTRATIONS ARE NOT TO SCALE.

MAINTENANCE AND SERVICING

WARNING

Turn off gas and electrical power to the fireplace and allow it to cool before cleaning or servicing the appliance.

CAUTION: Wear gloves and safety glasses for protection while doing required maintenance.

Verify proper operation after servicing.

S'assurer que l'appareil fonctionne adéquatement une fois l'entretien terminé.

Maintenance Checklist

The following should only be performed by a qualified service technician.

1. Annual inspection should be made and the following checks performed:

- When unit is cool, remove glass and inspect burner for dirt, soot, and lint accumulations, and remove if necessary. If excessive soot accumulation is present on burner, have a qualified service technician adjust the burner for proper combustion.
- Clean inside of glass with gas fireplace glass cleaner. NEVER attempt to remove or clean the glass when the unit is hot.
- Check the hot air outlet vents for lint or other accumulations. Never block or restrict vent openings, obstruct flow of ventilation air, or use vents other than those approved for use with the SDVI gas insert.
- Check that the chimney and its outlet are open and free of soot, blockage, or debris.
- Check gaskets once a year. Gaskets must be tight. Replace if necessary.
- Inspect the pilot system for proper flame. NEVER ADJUST THE PILOT until after the gas pressure has been checked and the supply lines have been completely bled (this may take an hour or more when bleeding through the pilot). All pilots are checked and burned at the factory prior to shipment. The pilot adjustment screw is located below the ON/OFF/PILOT control knob. Remove the pilot adjusting cover with a flat-bladed screwdriver to access the pilot adjusting screw. Adjust the pilot screw to properly size the flames. The flames should directly contact the thermopile and extend across the main burner ports. Be careful not to back the screw out of its threads. Replace the cover and check for gas leaks using a gas leak test solution.
- Check that the area around the insert is kept clear and is free of combustible materials, gasoline, and other flammable vapors and liquids.
- Check the millivolt system as per the table on this page.

2. The viewing glass should be cleaned periodically (see Glass Maintenance).

Millivolt and System Checks				
Check Test	To Test	Connect Meter Leads to Terminals	Thermostat Connects	Meter Reading Should Be
A	Complete System	2 & 3	Closed	100 MV or More
B	Thermopile Output	1 & 2	Open	Greater Than 325 MV
C	System Resistance	2 & 3	Closed	2.5 Ohms

Proper Pilot Flame Appearance

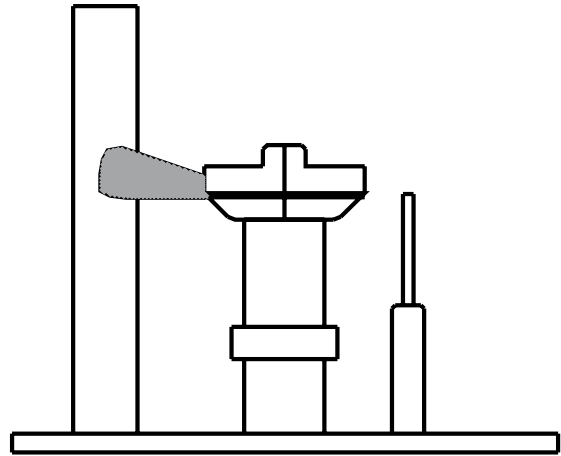


Figure 19

Glass Door

WARNING

- Do not attempt to substitute the materials used on these doors, or replace cracked or broken glass.
- Handle this glass with extreme care! Glass is susceptible to damage – Do not scratch or handle roughly while reinstalling the glass door frame.
- The glass door(s) of this appliance must only be replaced as a complete unit as provided by the manufacturer. Do not attempt to replace broken, cracked or chipped glass separately.
- Do not attempt to touch the front enclosure glass with your hands while the appliance is in use.

WARNING

Do not operate appliance with the glass front removed, cracked or broken.

AVERTISSEMENT

Ne pas utiliser l'appareil si le panneau frontal en verre n'est pas en place, est craqué ou brisé.

Only doors certified with the appliance shall be used.

Seules des portes certifiées pour cet appareil doivent être utilisées.

CAUTION: DO NOT abuse glass door by striking or slamming shut.

Do not remove glass door while the appliance is hot.

Glass Door Removal

To remove the glass door, pull forward and up on the top latches. Lift the glass door up and off the lower spring latch. Be careful not to damage or scratch the glass while handling. To reinstall the glass, reverse the removal steps. Do not operate the insert with the glass removed.

Glass Door Cleaning And Maintenance

Cleaning: Do not remove or clean the glass door when hot. When cool, the glass may be cleaned with a clean, soft cloth and a household glass cleaner. For cleaning white condensation from the interior glass, use a gas fireplace glass cleaner available from your dealer. Use of caustic or abrasive cleaners may damage the glass. DO NOT spray commercial glass cleaner with ammonia on the door and glass gasket as it may dissolve the gasket glue.

Repair: If the glass is broken in the glass door, the entire door (metal frame, gasket and glass) should be replaced as a unit. This replacement glass door is available from your Lennox Hearth Products dealer. Do not use substitute parts or materials. The glass is neo-ceramic and alternative types must not be used.

NOTE: BE CAREFUL NOT TO SPRAY COMMERCIAL GLASS CLEANER WITH AMMONIA ON GASKET AREA OF DOOR. AMMONIA WILL DISSOLVE GASKET GLUE.

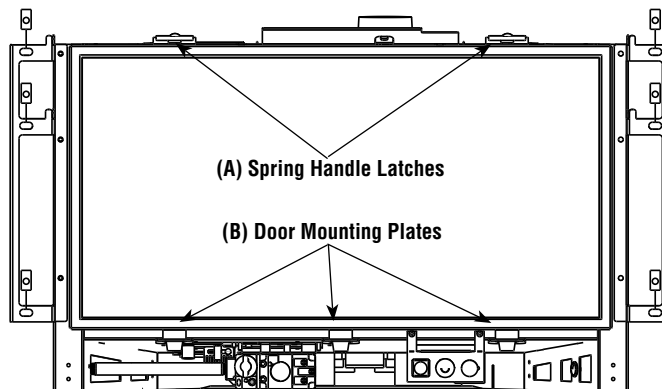


Figure 20

Fuel Conversion

Converting your SDVI gas insert between natural gas and LP can be accomplished by installing a conversion kit (valve regulator and burner orifice). Only a qualified service technician should perform the conversion.

Conversion Kit: Please see instructions provided with conversion kit.

Blower Removal

Unplug the power supply cord from the electrical outlet prior to removing the blower. The blower can be accessed through the back wall of the firebox.

Remove the insert face, glass door and log set. All of these items are fragile so handle them with care. Next, remove the nine allen head screws around the outside of the panel fastened to the back wall of the firebox. Rotate the top of this panel toward the front, remove the two wires connected to the blower, and then lift the panel with the blower attached out of the firebox. To reinstall the blower, repeat these steps in the reverse order.

Electrical Requirements:

This gas insert operates without an outside power source, however the blower requires a 120 Volt electrical service outlet. This appliance, when installed, must be electrically grounded in accordance with local codes, or in the absence of local codes, the National Electrical Code ANSI/NFPA 70 - latest edition. (See Operating Options for thermostat and ON/OFF switch information).

CAUTION: Label all wires prior to disconnection when servicing controls. Wiring errors can cause improper and dangerous operation.

ATTENTION: Au moment de l'entretien des commandes, étiquetez tous les fils avant de les débrancher. Des erreurs de câblage peuvent entraîner un fonctionnement inadéquat et dangereux.

Blower Wiring Schematic

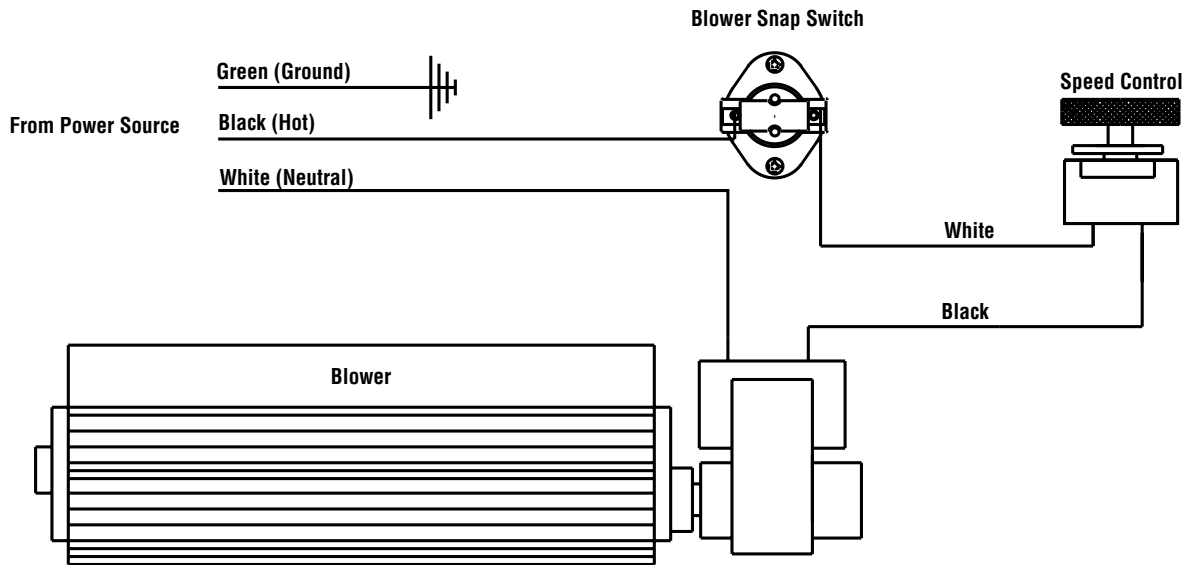


Figure 21

TROUBLESHOOTING

NOTE: When troubleshooting the gas control system, be sure the external gas shut off valve, located at the gas supply inlet is in the “ON” position.

IMPORTANT: Call your gas supplier or plumber for additional help with any gas control problem. Valve system troubleshooting should only be accomplished by a qualified service technician.

SYMPTOM	PROBABLE CAUSE	CORRECTIVE ACTION
Thin black coating (soot) forms on the viewing glass, logs, or firebox	Improper log or ember placement Improper air shutter setting Not enough combustion air	See Log Set Installation on Page 11 . If there is soot in one specific location, the rockwool below this location needs to be adjusted. This can be done by pulling embers forward slightly. If the flames have soot tails, the shutter will need to be opened. If sooting continues open air shutter (see Air Shutter Adjustment on Pages 13 and 14). Check for debris obstructing air flow in valve compartment under insert or in front of lower venting.
Humming or whistling coming from insert.	Normal operating noise Obstructed orifice opening	See Quiet Operation on Page 18 . The noise may be reduced by slightly turning down the flame. Turning the flame down will reduce the heat output of the insert. If noise is excessive or is “whistling” have your gas supplier check the regulator and orifices and replace if necessary.
A change in flame appearance or burner operation.	A change in gas pressure Improper ember placement	Have your gas supplier check for correct gas pressure (7" W.C. / po. C.E. [1.74 kPa] natural gas; 11" W.C. / po. C.E. [2.74 kPa] LP gas). NOTE: NEVER BLOCK OR OBSTRUCT AIR INTAKE OR OUTLET VENTS. See Log Set Installation on Page 11 .
Spark igniter will not light pilot after repeated tries.	No gas supplied to unit or air in line Defective igniter (no spark at electrode) Defective or misaligned electrode at pilot (spark at electrode)	Check gas supply. To purge, hold in gas cock on valve for 1-2 minutes and try again. Check for spark at electrode and pilot, if no spark and electrode wire is properly connected, replace igniter and igniter wire. Using a match, light pilot. If pilot lights, turn off pilot and trigger the igniter again. If pilot lights, an intermittent gas/air supply may be the problem, if longer purge will not light - check gap between electrode and pilot - should be 1/8 inch (3 mm) to have a strong spark. If OK, replace pilot.
Pilot will not stay lit after carefully following lighting instructions.	Low gas inlet pressure Defective thermopile Defective automatic valve operator	Check inlet pressure and adjust pilot if necessary. Be sure wire connections from thermopile are tight at gas valve terminals. Either rocker switch or thermostat wires may be grounded. Remove wires from valve terminals. If pilot stays lit, trace switch wiring for a ground. May be grounded to insert or gas supply. Check open circuit millivolt output of thermopile. Reading should be greater than 325mV. Also check thermopile wire for kinks that can cause loss of mV. Replace faulty thermopile if wire is okay and reading is less than 325mV. Turn valve knob to “ON” and thermostat (if installed) to 90°. Millivolt meter should read greater than 100 mV. If reading is OK and burner does not turn on, replace gas valve (qualified service technician only).
Main burner will not burn.	Pilot has gone out Rocker switch, thermostat, or wires defective Thermopile may not be generating sufficient millivolts	See Lighting Instructions . Disconnect rocker switch and thermostat wires at terminals 1 and 3 on valve. Jumper across from 1 to 3 with pilot lit. If burner comes on either rocker switch, thermostat, or wiring is not functioning. Check thermopile with millivolt meter (see Maintenance and Servicing), recheck symptom #2.

REPLACEMENT PARTS - MODEL SDVI

Cat. No.	Description
H6033	Cassette Assembly, NG (if LP, also requires H5464 conversion kit)
H6010	Main Burner Assembly
H5922	Pilot Assembly, Convertible NG or LP
H5938	Gas Control Valve, NG (if LP, also requires H5941 regulator kit)
H5939	Regulator, NG
H5941	Regulator, LP
H5965	Orifice, Main Burner, NG #41
H5964	Orifice, Main Burner, LP #53
H6013	Blower w/Mounting Bracket
H5875	Blower Snap Switch
H5655	Blower Speed Control (rheostat)
H5744	On/Off Switch
H6007	On/Off Switch Wires
H5745	Piezo Igniter
H4635	Wall Thermostat, Digital
H5660	Power Cord (ref. form #506033-04)
H5977	Blower Wire
H5730	Speed Control Wire (for rheostat)
H5869	Log Set
H5863	Bag of Embers (volcanic stone)
H5864	Bag of Rockwool
H5990	Firebox Door w/Glass
H5989	Hardware Package
H5839	Log Set Support

Contact an Authorized Lennox Hearth Products dealer to obtain any of these parts. Never use substitute materials. Use of non-approved parts can result in poor performance and safety hazards.



WARNING



Failure to position the parts in accordance with these diagrams or failure to use only parts specifically approved with this appliance may result in property damage or personal injury.


AVERTISSEMENT

Risque de dommages ou de blessures si les pièces ne sont pas installées conformément à ces schémas et ou si des pièces autres que celles spécifiquement approuvées avec cet appareil sont utilisées.

ACCESSORIES

Cat. No.	Model	Description
Controls	 Wall Thermostat	 Remote Control
70005	RT-AC	Remote Thermostat AC (ref. form #775280M)
H0251	RCL-STAT	Remote Control, RCL-STAT, Deluxe Thermostat DC (ref. form #750129M)
H4635	DWTK	Wall Thermostat, Digital
75273	GASINS-RSCP-B	Round Black On/Off Switch Cover Plate

Gas Conversion Kits		
		
H5464	MED-CK-NG to LP	Conversion Kit NG to LP (ref. form #775246M)
H5465	MED-CK-LP to NG	Conversion Kit LP to NG (ref. form #775237M)

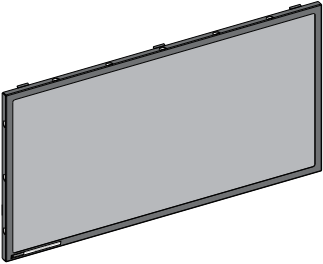
Touch-Up Paint Kit		
		
70K99	TSPK-B	Touch-Up Paint, Metallic Black (12 oz aerosol)


Finish Panels / Front Supports		
75264	MED-ZC-SPPT	"ZC Lower Finish Panel/Trad Face Support, * Requires Trim Piece below" (ref. form #775257M)
75251	GFHKET-B	Extended Side Trim Kit, Black (ref. form #775208M)

Face / Surround Panel Kits (Required) - Includes Black Face, Surround, and Black Trim		
Cat. No.	Model	Description
H7014	SDVI-A-B	Arched Black Face, Surround (27" x 39"), and Black Trim
H7015	SDVI-A-BRN	Arched Brushed Nickel Face, Surround (27" x 39"), and Black Trim
H7016	SDVI-A-BKN	Arched Black Nickel Face, Surround (27" x 39"), and Black Trim



Arched Face

<p>Barrier Screen Kit <i>(ref. form #506033-27)</i></p> 		
H7726	MED/SDVI-BS	Barrier Screen Kit

<p>Vent Kits</p> 		
H0909	FKDVI	Flex Liner Kit, DVI 3" X 35' (requires 2, one for exhaust and one for intake)
TKDVI	TKDVI	Termination Kit, DVI (termination cap and flashing)
DV3FK35	DV3FK35	Flex Liner and Termination Kit, 3" X 35' (includes two flex liners, termination cap and four gear clamps)

NOTE: The form numbers referenced are the part numbers of the instruction sheets included in kits.

SAFETY / LISTING LABEL

Tested & Listed By  Portland Oregon USA
OMNI-Test Laboratories, Inc.
Report No. / Numéro de Rapport
050-S-18b-5

MODEL / MODÈLE **SDVI** SERIAL NO. / NO. SÉRIEL **SDVI**
MANUFACTURED BY / FABRIQUÉ PAR:
LENOX HEARTH PRODUCTS
PO BOX 987
AUBURN, WA., USA 98071



FACTORY EQUIPPED FOR NATURAL GAS. IF CONTROL PANEL CONTRADICTS THIS LABEL, UNIT FUEL TYPE HAS BEEN CONVERTED. CET APPAREIL EST MUNI D'EQUIPEMENT POUR L'USAGE DU GAZ NATUREL. SI L'ÉTIQUETTE DU PANNEAU DES COMMANDES CONTREDIT CETTE ÉTIQUETTE, C'EST QUE LE TYPE DE CARBURANT DE CET APPAREIL A ÉTÉ CONVERTI.

LISTED VENTED GAS FIREPLACE HEATER - FIREPLACE INSERT - NOT FOR USE WITH SOLID FUEL.
TESTED TO ANSI Z21.88-2005/CSA 2.33-2005 "VENTED GAS FIREPLACE HEATERS", UL 307b, CSA P.4.1-02, AND CGA 2.17-M91.
THIS APPLIANCE MUST BE INSTALLED IN ACCORDANCE WITH LOCAL CODES, IF ANY. IF NOT, FOLLOW THE CURRENT ANSI Z223.1/NFPA 54-LATEST EDITION (USA) OR CAN/CSA B149.1-LATEST EDITION (CANADA). THIS APPLIANCE MUST BE INSTALLED IN ACCORDANCE WITH THE MANUFACTURER'S INSTALLATION INSTRUCTION. FOR INSTALLATION IN SOLID FUEL BURNING FIREPLACES ONLY - MASONRY OR FACTORY BUILT. THIS VENTED GAS FIREPLACE HEATER IS NOT FOR USE WITH AIR FILTERS.
THIS APPLIANCE IS ONLY FOR USE WITH THE TYPE OF GAS INDICATED ON THE RATING PLATE AND MAY BE INSTALLED IN AN AFTERMARKET, PERMANENTLY LOCATED, MANUFACTURED (MOBILE) HOME WHERE NOT PROHIBITED BY LOCAL CODES. SEE OWNER'S MANUAL FOR DETAILS. THIS APPLIANCE IS NOT CONVERTIBLE FOR USE WITH OTHER GASES UNLESS A CERTIFIED KIT IS USED.

DANGER: RISK OF ELECTRICAL SHOCK. DISCONNECT POWER BEFORE SERVICING UNIT.
IF ELECTRICALLY CONNECTED, CONNECTIONS AND GROUNDING MUST BE IN ACCORDANCE WITH LOCAL CODES, IF ANY. IF NOT, FOLLOW THE CURRENT NATIONAL ELECTRICAL CODE ANSI/NFPA 70-LATEST EDITION (USA) OR CSA C22-1-LATEST EDITION (CANADA).

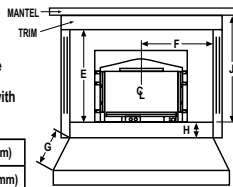
Model: SDVI		
RATINGS	NATURAL GAS	LP GAS
MAX/MIN INPUT BTUH 0-2,000 FT (0-610 M)*	25,000/17,500	25,000/18,500
MANIFOLD PRESSURE (IN. WC)	3.5	10.0
MINIMUM INLET PRESSURE (IN. WC)	5.0	10.5
ORIFICE (DMS) 0-2,000 FT (0-610 M)*	#41	#53

*UNIT FACTORY EQUIPPED FOR 0-2000 FT/0-610 M, IN CANADA 0-4500 FT/0-1370 M
ELECTRICAL RATING: 120 VAC, 60 HZ, LESS THAN 2 AMPS

CHIMNEY - USE WITH B-VENT CHIMNEY OR SINGLE WALL GAS VENT FLEX CHIMNEY LINER LISTED TO UL 1777 OR ULC S635. THIS APPLIANCE MUST BE PROPERLY CONNECTED TO A VENTING SYSTEM IN ACCORDANCE WITH THE MANUFACTURER'S INSTALLATION INSTRUCTIONS.
FOR ALTITUDES ABOVE 2,000 FT/610M (IN CANADA 4500 FT/1370M) DE-RATE THE APPLIANCE BY FOUR (4)% FOR EVERY 1,000 FT (405 M).

MINIMUM CLEARANCES TO COMBUSTIBLES
E = 31.5" (800mm) from Top Facing to Bottom of Insert
F = 25.5" (648mm) from Center of Glass to Side Facing or Side Wall
*J = 39" (991mm) from 10.5" (267mm) Mantel to Bottom of Insert
* See owner's manual for additional mantel clearances and options

MINIMUM CLEARANCES



MINIMUM FIREPLACE SIZES REQUIRED
A=29.75" (756mm) Front Opening
B=17.50" (445mm) Height
C=19.00" (483mm) Rear Width
D=16.00" (406mm) Fireplace Depth

Note: Hearth protection to be min. 3/8" (10mm) thick non-combustible or equivalent, with a k factor of .84.

HEARTH PROTECTION

G = Minimum Hearth Protection from Front of Insert
H = Vertical Distance from Insert Bottom to Combustible Material

G	13"(330mm)	10"(254mm)	0"(0mm)
H	0"(0mm)	2"(21mm)	4"(102mm)

CAUTION: HOT WHILE IN OPERATION. DO NOT TOUCH. SEVERE BURNS MAY RESULT. KEEP CHILDREN, CLOTHING, FURNITURE, GASOLINE AND OTHER LIQUIDS HAVING FLAMMABLE VAPORS AWAY. KEEP BURNER AND CONTROL COMPARTMENT CLEAN. SEE INSTALLATION AND OPERATING INSTRUCTIONS ACCOMPANYING APPLIANCE. FOR USE WITH GLASS DOORS CERTIFIED WITH THIS APPLIANCE ONLY. DO NOT OPERATE THE APPLIANCE WITH GLASS REMOVED, CRACKED OR BROKEN. REPLACEMENT OF THE PANEL(S) SHOULD BE DONE BY A LICENSED OR QUALIFIED PERSON.

WARNING: IMPROPER INSTALLATION, ADJUSTMENT, ALTERATION, SERVICE OR MAINTENANCE CAN CAUSE INJURY OR PROPERTY DAMAGE. REFER TO THE OWNER'S INFORMATION MANUAL PROVIDED WITH THIS APPLIANCE. FOR ASSISTANCE OR ADDITIONAL INFORMATION CONSULT A QUALIFIED INSTALLER, SERVICE AGENCY OR GAS SUPPLIER.

Part No./No. pièce #580039-01 Rev. NC, 03/2008

DO NOT REMOVE OR COVER THIS LABEL

HOMOLOGUÉ FOYER RADIANT PRÉFABRIQUÉ AU GAZ - INSERTION DE FOYER AU GAZ - NE PAS UTILISER AVEC DU COMBUSTIBLE SOLIDE

TESTÉ SELON LA NORME ANSI Z21.88-2005/CSA 2.33-2005 «FOYER RADIANT AU GAZ», UL307B, CSA P.4.1-02, ET CGA 2.17-M91.
CET APPAREIL DOIT ÊTRE INSTALLÉ CONFORMÉMENT AUX EXIGENCES DES CODES RÉGIONAUX ET DU CODE D'INSTALLATION ANSI/NFPA 54-DERNIÈRE ÉDITION (ÉTATS-UNIS), OU CAN/CSA-B149.1-DERNIÈRE ÉDITION (CANADA). CET APPAREIL DOIT ÊTRE INSTALLÉ SELON LES DIRECTIVES D'INSTALLATION DU FABRICANT. POUR INSTALLATION DANS DES FOYERS À COMBUSTIBLE SOLIDE SEULEMENT - DE MAÇONNERIE OU PRÉFABRIQUÉ EN USINE. CE FOYER RADIANT AU GAZ À ÉVACUATION N'EST PAS CONÇU POUR ÊTRE UTILISÉ AVEC DES FILTRES À AIR.
CET APPAREIL DOIT ÊTRE UTILISÉ AVEC LE TYPE DE GAZ INDIQUÉ SUR LA PLAQUE SIGNALÉTIQUE ET PEUT ÊTRE INSTALLÉ DANS UNE MAISON PRÉUSINÉE OU DANS UNE MAISON MOBILE FIXE. LÀ OÙ LES CODES RÉGIONAUX LE PERMETTENT. VOIR LE MANUEL D'ENTRETIEN POUR PLUS DE DÉTAILS. CET APPAREIL NE PEUT PAS ÊTRE CONVERTI POUR L'USAGE AVEC D'AUTRES TYPES DE GAZ À MOINS D'UTILISER UNE TROUSSE DE CONVERSION HOMOLOGUÉE.
DANGER: RISQUE DE CHOC ÉLECTRIQUE. DÉBRANCHEZ L'APPAREIL AVANT D'EN FAIRE L'ENTRETIEN.
SI L'APPAREIL REQUIERT UN BRANCHEMENT ÉLECTRIQUE, LES RACCORDEMENTS ET LA MISE À LA TERRE DOIVENT ÊTRE CONFORMES AUX EXIGENCES DES CODES RÉGIONAUX ET DU CODE D'INSTALLATION ANSINFP 70 OU CSA C22-1.

Model: SDVI		
SPÉCIFICATIONS	GAZ NATUREL	GAZ PROPANE
ENTRÉE MAX/MIN BTU/HR 0-4500 pi (0-1370 M)*	25000/17500	25000/18500
PRESSION À LA SORTIE (IN. WC/I.C.E.)	3,5	10,0
PRESSION MINIMUM D'ENTRÉE DU GAZ (IN. WC/I.C.E.)	5,0	10,5
ORIFICE (DMS) 0-4500 pi (0-1370 M)*	#41	#53

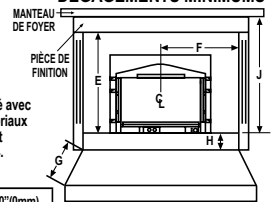
* L'APPAREIL PRÉUSINÉ EST MUNI D'EQUIPEMENT POUR 0-2000 PIEDS (0-610 M). AU CANADA 0-4500 PIEDS (0-1370M).
SPÉCIFICATIONS ÉLECTRIQUE 120 VCA, 60 HZ, MOINS DE 2 AMPÈRES

CHEMINÉE - ÉVACUATION - INSTALLER AVEC DE L'ÉVENT À GAZ DE TYPE B-VENT OU UN CONDUIT FLEXIBLE À SIMPLE PARI HOMOLOGUÉ COMME TUBAGE.
CET APPAREIL DOIT ÊTRE RELIÉ À UN SYSTÈME D'ÉVACUATION TEL QUE SPÉCIFIÉ DANS LE MANUEL D'INSTALLATION DU FABRICANT.
EN ALTITUDE, AU-DELÀ DE 2000 PI/610 M, (AU CANADA 0-4500 PI/0-1370M) LA CAPACITÉ ÉNERGÉTIQUE DE L'APPAREIL DIMINUE DE QUATRE (4)% POUR CHAQUE 1000 PI (405 M).

DÉGAGEMENTS AUX COMBUSTIBLES

A = Dessus du foyer à partir de la base 31.5" (800mm)
F = Mur latéral à partir du centre du foyer 25.5" (648mm)
*J = 10.5" (267mm) manteau de foyer à partir de la base 39" (991mm)
* Voir le manuel d'entretien pour les informations supplémentaires relatives aux distances à respecter pour le manteau de foyer

DÉGAGEMENTS MINIMUMS



DIMENSIONS MINIMUMS DE FOYER REQUISES

A = 29.75" (756mm) Ouverture avant
B = 17.50" (445mm) Hauteur
C = 19.00" (483mm) Largeur arrière
D = 16.00" (406mm) Profondeur du foyer
Note: Extension d'être fabriqué avec 3/8" (10mm) minimum de matériaux non-combustible ou équivalent possédant un facteur k de 0.84.

PROTECTION DU FOYER

G = Extension d'être min. devant le foyer
H = Distance verticale de la base de l'appareil aux combustibles

G	13"(330mm)	10"(254mm)	0"(0mm)
H	0"(0mm)	2"(21mm)	4"(102mm)

DANGER: CET APPAREIL DÉGAGE DES TEMPÉRATURES ÉLEVÉES ET DEVRAIT ÊTRE INSTALLÉ À L'ÉCART DES ENDROITS TRÈS PASSANTS ET LOIN DES MEUBLES ET RIDEAUX. SURVEILLEZ LES ENFANTS QUI SE TROUVENT DANS LA PIÈCE. GARDEZ LA ZONE AUTOUR DU FOYER EXEMPTÉ DE MATÉRIAUX COMBUSTIBLES, D'ESSENCE ET AUTRES VAPEURS ET LIQUIDES INFLAMMABLES. MAINTENEZ LE BRÛLEUR ET LE BÔITIER DES COMMANDES PROPRE EN TOUT TEMPS. VOIR LES MANUELS D'INSTALLATION ET D'ENTRETIEN QUI ACCOMPAGNENT L'APPAREIL. SEUL LE PANNEAU VITRÉ FOURNI PAR LE MANUFACTURIER PEUT ÊTRE UTILISÉ AVEC CET APPAREIL. EN AUCUN CAS, L'APPAREIL NE PEUT ÊTRE UTILISÉ SANS LA VITRE OU AVEC LA VITRE BRISÉE. LE REMPLACEMENT DE LA VITRE DOIT ÊTRE EFFECTUÉ PAR UN TECHNICIEN DE SERVICE QUALIFIÉ.

AVERTISSEMENT: UNE INSTALLATION INADÉQUATE DE MÊME QU'UN AJUSTEMENT, UNE MODIFICATION, UNE RÉPARATION OU UN ENTRETIEN INCORRECTS PEUVENT CAUSER DES BLESSURES OU DOMMAGES À LA PROPRIÉTÉ. RÉFÉREZ-VOUS AU MANUEL D'ENTRETIEN LIVRÉ AVEC CET APPAREIL. POUR DE L'ASSISTANCE, CONSULTEZ UN INSTALLATEUR QUALIFIÉ, UNE ENTREPRISE DE SERVICE OU UN FOURNISSEUR DE GAZ.

DATE OF MANUFACTURE / DATE DE FABRICATION

2010	2011	2012	2013	JAN JANV	FEB FEVR	MAR MARS	APR AVR	MAY MAI	JUN JUN	JUL JUIL	AUG AOÛT	SEP SEPT	OCT OCT	NOV NOV	DEC DEC
<input type="checkbox"/>	<input type="checkbox"/>	<input type="checkbox"/>	<input type="checkbox"/>	<input type="checkbox"/>	<input type="checkbox"/>	<input type="checkbox"/>	<input type="checkbox"/>	<input type="checkbox"/>	<input type="checkbox"/>	<input type="checkbox"/>	<input type="checkbox"/>	<input type="checkbox"/>	<input type="checkbox"/>	<input type="checkbox"/>	<input type="checkbox"/>

N'ENLEVEZ PAS OU NE COUVREZ PAS CETTE ÉTIQUETTE

IGN

LIGHTING LABEL

FOR YOUR SAFETY READ BEFORE OPERATING

WARNING: IF YOU DO NOT FOLLOW THESE INSTRUCTIONS EXACTLY, A FIRE OR EXPLOSION MAY RESULT CAUSING PROPERTY DAMAGE, INJURY OR LOSS OF LIFE.

CAUTION: HOT WHILE IN OPERATION. DO NOT TOUCH. KEEP CHILDREN, FURNITURE, GASOLINE AND OTHER LIQUIDS WITH FLAMMABLE VAPORS AWAY. NEVER OPERATE UNIT WITH GLASS DOOR OFF OR ATTEMPT TO OPEN THE DOOR WHILE HOT.

- This appliance is equipped with a piezo ignition device to light the pilot. When lighting the pilot, follow these instructions exactly.
- BEFORE LIGHTING**, smell around the appliance area for gas. Be sure to smell next to the floor because some gas is heavier than air and will settle on the floor.

WHAT TO DO IF YOU SMELL GAS:

- DO NOT try to light the appliance.
 - DO NOT touch any electric switch; do not use any phone in the building.
 - Immediately call your gas supplier from a neighbor's phone. Follow the gas supplier's instructions.
 - If you cannot reach your gas supplier, call the fire department.
- Use only your hand to push in or turn the gas control knob. Never use any tool. If the knob will not push in or turn by hand, don't try to repair it, call a qualified service technician. Force or attempted repair may result in a fire or explosion.
 - DO NOT use this appliance if any part has been under water. Immediately call a qualified service technician to inspect the appliance and to replace any part of the control system and any gas control which has been under water.

OPERATING INSTRUCTIONS

CAUTION: YOUR SUPERIOR™ GAS APPLIANCE MUST ALWAYS BE OPERATED WITH GLASS DOOR IN PLACE.

STOP! Read the safety information above before proceeding.

- Open the lower door. Make sure gas supply shut-off cocks are open and ON/OFF Rocker Switch is "OFF". If equipped with a thermostat, set it to the lowest setting.
- Turn off all electrical power to the appliance.
- Push in Gas Control Knob slightly and turn clockwise to "OFF".

NOTE: Knob cannot be turned from "PILOT" to "OFF" unless Knob is pushed in slightly. Do not force.

- Wait five (5) minutes to clear out any gas. If you smell gas, **STOP!** Follow "B" above. If you don't smell gas continue.

- Locate the pilot by looking over the top of the front left log. Blue flame will be seen when the pilot is lit.

- Turn the gas control knob counterclockwise to the "PILOT" position.

Push the knob all the way in and hold in that position. Immediately light the pilot by pressing the ignitor button several times until pilot is lit. Continue to hold the knob in for about 30 seconds after the pilot is lit. Release knob and it will pop back out.

Pilot should remain lit. If it goes out, repeat steps 4-8 holding knob in an additional 15 seconds after pilot is lit.

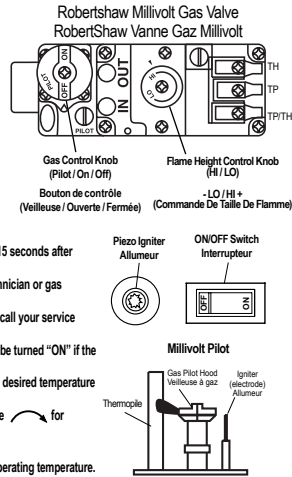
- If knob does not pop out when released, stop and immediately call your service technician or gas supplier.
- If the pilot will not stay lit after several tries, turn the gas control knob to "OFF" and call your service technician or your gas supplier.

- After pilot is lit, turn gas control counterclockwise to "ON". Knob can only be turned "ON" if the knob has popped out.

- To turn burner on, turn "ON/OFF" rocker switch to "ON" or set the thermostat to the desired temperature above room temperature.

- Adjust the flame height (and heat output) by turning the flame height knob clockwise for reduced flame and counterclockwise for full flame.

- Turn on all electrical power to the appliance.
- Set the blower to the desired air flow after it turns on when the appliance reaches operating temperature.



TO TURN OFF GAS TO APPLIANCE

- Turn off the "ON/OFF" rocker switch and/or thermostat (if installed).
- Turn off electric power to the appliance if service is to be performed.
- Turn gas control knob clockwise to "OFF". Do not force.

This appliance needs fresh air for safe operation and must be installed so there are provisions for adequate combustion and ventilation air. See Installation and Operation Manual accompanying appliance.

WARNING: Improper installation, adjustment, alteration, service or maintenance can cause injury or property damage. For assistance or additional information, consult a qualified installer, service agency or your gas supplier.

Operation of this appliance when not connected to a properly installed and maintained venting system can result in carbon monoxide (CO) poisoning and possible death.

SHUTDOWN PROCEDURE

- To turn off the burner, switch the rocker switch to "OFF" or adjust the thermostat to a setting below room temperature (if installed). The pilot will remain lit for future burner ignition.

#580039-01 Rev. NC, 03/2008 For complete shutdown: See "TO TURN OFF GAS TO APPLIANCE" above.

POUR VOTRE SÉCURITÉ, LIRE AVANT L'ALLUMAGE

AVERTISSEMENT: SI VOUS NE RESPECTEZ PAS RIGOREUSEMENT LES INSTRUCTIONS CI-DESSOUS, VOUS POURRIEZ ENCAISSER UN RISQUE D'INCENDIE ET/OU D'EXPLOSION QUI POURRAIENT CAUSER DES DOMMAGES MATÉRIELS ET CORPORELS POUVANT ENTRAÎNER LA MORT.

DANGER: CET APPAREIL DÉGAGE DES TEMPÉRATURES ÉLEVÉES ET DEVRAIT ÊTRE INSTALLÉ À L'ÉCART DES ENDROITS TRÈS PASSANTS ET LOIN DES MEUBLES ET RIDEAUX. GARDEZ LA ZONE AUTOUR DU FOYER EXEMPTÉ DE MATÉRIAUX COMBUSTIBLES, D'ESSENCE ET AUTRES VAPEURS ET LIQUIDES INFLAMMABLES.

- Cet appareil utilise un système d'allumage par étincelle (allumeur Piézo-électrique) pour allumer la veilleuse. Assurez-vous de suivre rigoureusement les instructions d'allumage de la veilleuse.
- AVANT D'ALLUMER L'APPAREIL**, assurez-vous qu'il n'y a pas d'odeur de gaz près de l'appareil ni près du sol car certains gaz plus lourds que l'air auraient tendance à s'y accumuler en cas de fuite.

QUE FAIRE SI VOUS SENTEZ UNE ODEUR DE GAZ:

- N'ALLUMEZ aucun appareil.
 - Ne touchez aucune prise électrique; N'utilisez aucun téléphone dans votre édifice.
 - Sortez de la maison. À partir d'un autre endroit, appelez immédiatement votre fournisseur de gaz et suivez les directives.
 - S'il est impossible de joindre le distributeur de gaz, appelez les pompiers.
- N'utilisez aucun outil pour tourner ou pousser le dispositif de contrôle du gaz. Si vous ne pouvez le faire manuellement, n'essayez pas de réparer l'appareil. Appelez un technicien de service qualifié. Si vous tentez de forcer ou réparer le dispositif de contrôle du gaz vous pourriez encourir un risque d'incendie et/ou d'explosion.
 - N'utilisez pas cet appareil si une de ses composantes a été émergée dans l'eau. Appelez immédiatement un technicien de service qualifié et reconnu afin qu'il inspecte et remplace au besoin toutes pièces du système qui auraient été en contact avec l'eau.

ALLUMAGE

DANGER: VOTRE APPAREIL AU GAZ SUPERIOR™ DOIT ÊTRE OPÉRÉ AVEC DES PORTES DE VERRE.

ATTENTION! Lisez les consignes de sécurité ci-dessous avant d'opérer votre appareil.

- Ouvrir la porte du bas. Assurez-vous que l'alimentation en gaz est à la position Fermée "OFF". Si l'appareil est équipé d'un thermostat, placez-le à la température la plus basse.
- Couper le courant électrique qui alimente l'appareil.

- Enfoncez légèrement le bouton de contrôle du gaz et tournez-le dans le sens des aiguilles d'une montre à la position "OFF".

NOTE: Le bouton de contrôle du gaz ne peut être tourné de la position "PILOT" à "OFF" sans qu'une légère pression ne soit appliquée.

- Attendez au moins 5 minutes pour que le gaz qui se trouve dans la chambre de combustion puisse s'échapper. Si vous sentez une odeur de gaz **ARRÊTEZ!** Référez-vous à la section B ci-dessus. Si vous ne sentez pas d'odeur de gaz, allez à la prochaine étape.

- Vous pouvez localiser le pilote aussi en regardant par dessus la bûches gauche. Une flamme bleue est visible lorsque la veilleuse est allumée.

- Tournez le bouton de contrôle de gaz dans le sens inverse des aiguilles d'une montre pour le placer sur "PILOT".

Cet appareil de chauffage est équipé d'un système d'allumage par étincelle (allumeur Piézo-électrique), devant être utilisé pour l'allumage de la veilleuse. Poussez complètement le bouton de contrôle du gaz et le maintenir dans cette position. Appuyez immédiatement sur le bouton (allumeur Piézo-électrique) situé à gauche du robinet de contrôle du gaz. L'étincelle produite par l'allumeur Piézo-électrique doit allumer la veilleuse. Continuez à maintenir le bouton de contrôle dans cette position pendant environ 30 secondes après l'allumage de la veilleuse. Relâchez le bouton de contrôle du gaz qui reviendra à la position initiale. La veilleuse doit rester allumée. Répétez les étapes 4 à 8 pendant 15 secondes supplémentaires si la veilleuse s'éteint.

- Si le bouton de contrôle du gaz ne revient pas à la position initiale une fois relâché, appeler immédiatement un technicien qualifié ou votre distributeur de gaz.

- Si la veilleuse ne reste pas allumée après plusieurs essais, tournez le bouton de contrôle du gaz à la position "OFF" et appelez immédiatement un technicien qualifié ou votre distributeur de gaz.

- Lorsque la veilleuse est allumée, tournez le bouton de contrôle du gaz dans le sens inverse des aiguilles d'une montre pour le placer à la position "ON". Le bouton de contrôle peut-être tourné à la position "ON" seulement si il n'est plus enfoncé.

- Pour allumer le brûleur, mettre l'interrupteur à la position "ON" ou ajustez le thermostat à la température souhaitée.

- Ajustez la flamme et la température souhaitée en tournant le bouton de réglage de la flamme dans les sens aiguille d'une montre pour l'abaisser et dans le sens contraire pour l'augmenter.
- Allumez l'alimentation électrique de l'appareil.
- Ajustez le ventilateur au volume désiré lorsque l'appareil aura atteint la température de fonctionnement.

POUR COUPER L'ALIMENTATION EN GAZ DE L'APPAREIL

- Fermez l'interrupteur et/ou le thermostat «MARCHE/ARRÊT».
- Coupez l'alimentation électrique de l'appareil si vous prévoyez en faire le service.
- Tournez le bouton de commande du gaz dans le sens des aiguilles d'une montre à "OFF". Ne le forcez pas.

Cet appareil a besoin d'air frais pour opérer s'écrêtement et doit être installé pour qu'il y ait un apport en air suffisant. Référez-vous aux manuels d'entretien et d'installation fournis avec l'appareil.

AVERTISSEMENT: Une installation inadéquate, un mauvais ajustement, une altération ou toutes autres modifications inappropriés pourraient entraîner des blessures physiques et/ou des dommages matériels. Référez-vous au guide d'utilisation fourni avec ce foyer. Pour assistance ou information supplémentaires contactez un installateur qualifié, un agent de service ou un fournisseur de gaz.

Si vous opérez cet appareil sans qu'il ne soit correctement raccordé à un conduit d'évacuation, vous pourriez risquer d'être empoisonné au monoxyde de carbone (CO) ce qui pourrait entraîner des conséquences grave ou la mort.

PROCÉDURE D'ARRÊT

- Pour arrêter le brûleur, mettre l'interrupteur à la position "OFF" ou ajustez le thermostat à une température en dessous de la température ambiante. La veilleuse restera allumée pour permettre un allumage ultérieur.

Pour un arrêt complet: Consultez la procédure ci-dessus «POUR COUPER L'ALIMENTATION EN GAZ DE L'APPAREIL».

IGN

WARRANTY

Your gas insert is covered by a limited warranty (provided with appliance). Please read the warranty to be familiar with its coverage.

Retain this manual. File it with your other documents for future reference.

PRODUCT REFERENCE INFORMATION

We recommend that you record the following important information about your appliance. Please contact your LHP dealer for any questions or concerns. For the number of your nearest LHP dealer, please call 1-800-9-LENNOX.

REPLACEMENT PARTS

See **Page 24** for a complete replacement parts list. Use only parts supplied from the manufacturer.

Normally, all parts should be ordered through your LHP distributor or dealer. Parts will be shipped at prevailing prices at time of order.

When ordering repair parts, always give the following information:

1. The model number of the appliance.
2. The serial number of the appliance.
3. The part number.
4. The description of the part.
5. The quantity required.
6. The installation date of the appliance.

If you encounter any problems or have any questions concerning the installation or application of this system, please contact your dealer.

LHP
1508 Elm Hill Pike, Suite 108
Nashville, TN 37210
Visit us at www.Lennox.com

Your Appliance's Model Number _____
Your Fireplace Insert's Serial Number _____
The Date On Which Your Fireplace Insert Was Installed _____
The Type of Gas Your Fireplace Insert Uses _____
Your Dealer's Name _____
Fuel Type (Check one) Natural Gas Propane Gas (LP)

**NATIONAL
FIREPLACE
INSTITUTE**



CERTIFIED
www.nficertified.org

We recommend that our gas hearth products be installed and serviced by professionals who are certified in the U.S. by the National Fireplace Institute® (NFI) as NFI Gas Specialists.

**NATIONAL
FIREPLACE
INSTITUTE**



CERTIFIED
www.nficertified.org

Nous recommandons que nos foyers au gaz soient installés et que l'entretien soit effectué par des professionnels certifiés par le National Fireplace Institute® (NFI). (Etats-Unis seulement)

LHP reserves the right to make changes at any time, without notice, in design, materials, specifications, prices and also to discontinue colors, styles and products. Consult your local distributor for fireplace code information.