



A harmonious blend of innovation and style come together in a stove designed to deliver the ultimate in efficiency.



Grandview™ 230 stove with Brushed Nickel louvers, Brushed Nickel door trim and Brushed Nickel Coastal legs.

LENNOX
HEARTH PRODUCTS

COUNTRY
COLLECTION



Grandview™ 230 stove shown on a pedestal with *Brushed Nickel door trim and Black louvers.*

■ As elegant as it is efficient, the Grandview™ 230 wood-burning stove from the Country® Collection raises the standard for home heating. Expansive, durable ceramic glass provides a stunning view of the fire from the embers to the flames and allows for easy heat transfer. An innovative cast-iron heat exchanger puts more heat into the room—and less up the chimney—delivering the perfect amount of heat to create a cozy atmosphere. And a wide array of high-quality, versatile styling options means that the Grandview will easily complement any décor. ■



STANDARD FEATURES

EPA-certified and Washington State-approved

Innovative heat exchanger creates 32% more surface area than standard design, resulting in more heat entering the room

Precision-cut, heavy-gauge steel provides dependable, long-lasting operation

Tall opening provides expansive view of burning fire

Secondary combustion system mixes oxygen with unburned gases and smoke to create a secondary burn, providing clean emissions and exceptional combustion efficiency

One-touch control ensures precise heat and comfort control

High-density refractory brick adds thermal mass for better heat output and long-lasting durability

High-velocity airwash system keeps the glass clean and clear for less maintenance

Choice of steel legs, cast legs (two versions) or pedestal

Limited Lifetime Warranty

OPTIONAL ACCESSORIES

700-CFM variable-speed blower quickly moves heat from the stove into your room

Special "auto mode" activates air circulation only when the stove is warm

Ash drawer allows collection of ash from inside the firebox, for easy maintenance and convenient cleanup, and works with legs or pedestal

Decorative door trim in standard Black, Brushed Nickel or Nickel allow customization to décor

Louvers in Black or Brushed Nickel add an elegant accent



Air control



Large viewing area



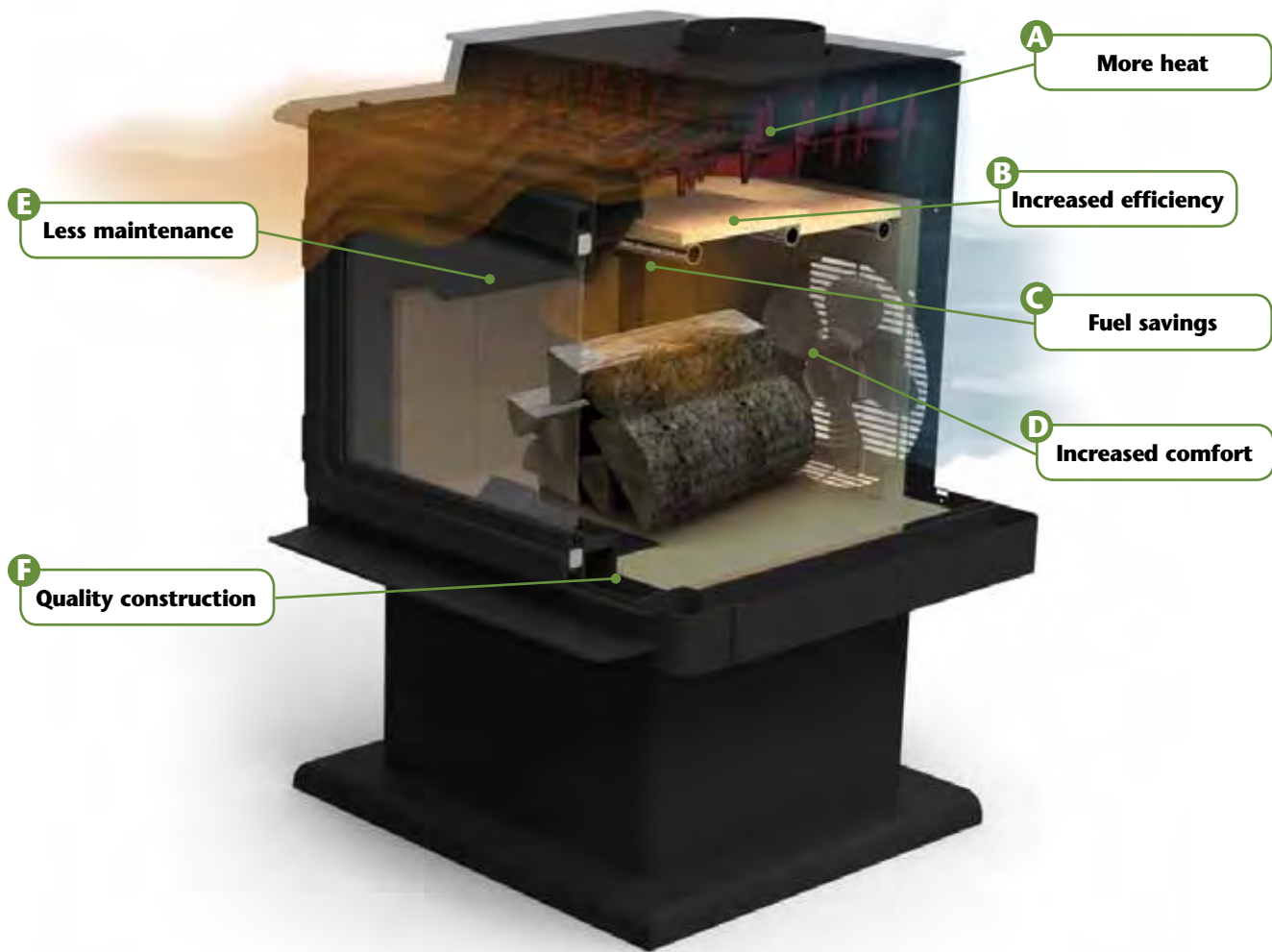
Blower



COUNTRY® COLLECTION

Manufactured in Auburn, WA and backed by a long tradition of quality and excellence over the past 30 years, Country® Collection stoves offer innovative wood- and pellet-burning technologies and classic designs.

THE GRANDVIEW™ 230 ADVANTAGES



- A. More Heat** – heat exchanger provides 32% more surface area than standard stove designs.
- B. Increased Efficiency** – ceramic baffle holds heat in the firebox longer, resulting in high efficiency.
- C. Fuel Savings** – secondary combustion system and cast-iron heat exchanger combine to extract more heat out of every log.
- D. Increased Comfort** – optional 700-CFM variable-speed blower helps heat larger spaces.
- E. Less Maintenance** – airwash system forces high-velocity air across the glass, keeping it clean.
- F. Quality Construction** – heavy-gauge steel assembled and welded by our experienced craftsmen equals industry-leading quality and years of dependable performance.



BURN SMART™

Advancements in hearth technology at Lennox Hearth Products have produced a variety of options that allow you to burn cleaner and more efficiently than ever before. At Lennox, we call these Burn Smart™ products. The Grandview™ 230 wood-burning stove is now a part of this Burn Smart family of products, so you can be confident you are doing your part to burn smarter and more responsibly at home for the good of your environment.

CUSTOMIZE TO YOUR TASTE

STEP 1: DOOR TRIM (optional)

Choose the door trim style that is right for you. Finish options include standard Black, Nickel and Brushed Nickel.



Black



Nickel



Brushed Nickel

STEP 2: PEDESTAL or LEGS

Choose a pedestal or legs to customize your look.

PEDESTAL



Ash drawer (optional) with pedestal or legs makes ash removal and disposal quick and easy.

LEG STYLES AND FINISHES

Leg styles are available in Lakeview, Black Coastal, Nickel Coastal, Brushed Nickel Coastal, Black Olympic, Nickel Olympic and Brushed Nickel Olympic.



Lakeview steel leg

Cast Coastal legs

Cast Olympic legs

STEP 3: LOUVERS (optional)

Select louvers if desired.



Black



Brushed Nickel

STEP 4: BLOWER (optional)

Add an optional 700-CFM blower: The most powerful blower available, it will distribute heated air into your living area. Standard variable-speed control and heat-activated switch optimize performance and comfort.



GRANDVIEW™ 230

Log Length	18"
Approximate Weight	385 lbs
EPA Grams Per Hour	3.6 gr/hr
Heat Transfer Efficiency	84%
Combustion Efficiency	94%
Heating Capacity	1200-2200 sq. ft.*
Maximum Output	76,000 BTU/hr
Maximum Burn Time	7-12 hours

*Square-foot heating capacities and burn times are approximations only. Actual performance may vary depending upon home design and insulation, ceiling heights, climate, condition and type of wood used, appliance location, burn rate, accessories chosen, chimney installation and how the appliance is operated.

SPECIFICATIONS

A = Width	25-1/8"
B = Height: Lakeview Legs	32-13/16"
Coastal Legs	32-1/2"
Olympic Leg	33-1/2"
Pedestal	35"
C = Depth	26-5/8"
Stovepipe Diameter	6"

CLEARANCES

	US Single-Wall Connector	US Double-Wall Connector	Canada Single-Wall Connector	Canada Double-Wall Connector
D**= Flue Collar to Back Wall	16"	10"	16" (406mm)	10" (254mm)
N**= Flue Collar to Side Wall	22"	20"	22" (559mm)	20" (508mm)
G**= Flue Collar to Wall	16"	15"	16" (406mm)	15" (381mm)

HEARTH PROTECTION

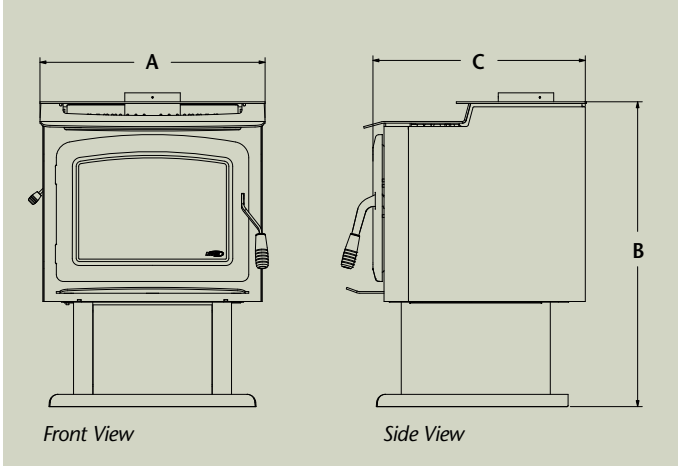
E = Back of Stove	0"	0"	8" (203mm)	8" (203mm)
F ¹ = Stove Corner to Wall	5-11/16"	4-11/16"	5-11/16" (145mm)	4-11/16" (119mm)
H = Pad Depth Minimum	38-5/8"	38-5/8"	49" (1245mm)	47" (1193mm)
I = Pad Depth to Back Wall	51"	45"	53" (1346mm)	47" (1193mm)
J = Pad Width Minimum	33"	33"	41-1/8" (1045mm)	41-1/8" (1045mm)
K = Front of Stove	16"	16"	18" (450mm)	18" (450mm)
L = Measured from Door Opening	8"	8"	12" (305mm)	12" (305mm)
M = Measured to Sides of Unit	4"	4"	8" (203mm)	8" (203mm)
T = Pad Depth to Corner	58-7/8"	57-1/2"	58-7/8" (1495mm)	57-1/2" (1461mm)

ALCOVE

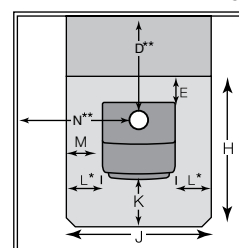
X = Minimum Width	52" (1321mm)
Y = Maximum Depth	48" (1219mm)
Z = Minimum Height	90" (2286mm)

**Clearances to flue are from the stove flue collar to combustibles.

DIMENSIONS

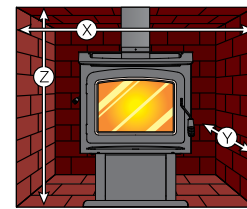


SIDE WALL/BACK WALL Fig. 1

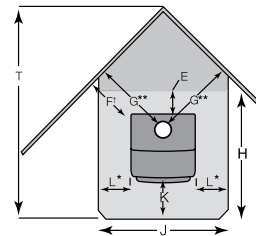


*Measured from door opening.
**Clearances to flue are from the stove flue collar to combustibles.

ALCOVE Fig. 2



CORNER Fig. 3



F¹ = Measured from corner of stove heat shield.

PRODUCTS AND DEALERS YOU CAN COUNT ON

Lennox® is committed to providing you with the finest hearth products available. Choosing the right dealer for your hearth needs is as important as choosing the right brand, and our dealers are a big reason why you can count on quality customer service when you call.

LENNOX®

HEARTH PRODUCTS

©Lennox Hearth Products LLC 2012

Visit us at www.lennoxhearthproducts.com
or contact us at 1-800-665-2008

IMPORTANT NOTES:

As with any heating appliance, fireplace or stove, this appliance is extremely hot during operation. Read and understand all operating instructions before using this appliance. For further information, consult your dealer.

Actual performance may vary depending upon home design and insulation, ceiling heights, climate, condition and type of wood used, appliance location, burn rate, accessories chosen, chimney installation and how the appliance is operated.

Diagrams, illustrations and photographs are not to scale—consult installation instructions. Product designs, materials, dimensions, specifications, colors and prices are subject to change or discontinuance without notice.



100% recycled