



MCVP42

ZERO CLEARANCE **DIRECT VENT** PENINSULA GAS FIREPLACE



THE ULTIMATE IN DESIGN, ENGINEERING & QUALITY

Model MCVP42NH Peninsula Fireplace – Natural Gas, M42LG Log Grate, M42LOG4 Oak Log Set, MP42RLT Traditional Brick Liner.



MCVP42

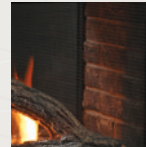
ZERO CLEARANCE DIRECT VENT PENINSULA GAS FIREPLACE

Model	MCVP42N/NE	MCVP42LP/LPE	MCVP42NH/NHE	MCVP42LPH/LPHE
Fuel	Natural	Propane	Natural	Propane
Gas Control	Millivolt / IPI	Millivolt / IPI	Millivolt / IPI	Millivolt / IPI
Input Max.	30,250 BTU	28,500 BTU	31,250 BTU	29,000 BTU
Input Min.	21,000 BTU	23,000 BTU	21,250 BTU	23,000 BTU
FE (P.4.1-15)	53% / 54.63%	53.82% / 55.32%	64.55% / 66.49%	65.66% / 67.42%
Glass Type	Tempered	Tempered	Ceramic	Ceramic



STANDARD FEATURES

- Dedicated Clean View appliance
- Millivolt or IPI valve system allows operation during a power failure with Hi/Low heat and flame adjustment
- Safety Screen Barrier



Safety Screen Barrier

OPTIONAL FEATURES

Porcelain Reflective Liner

Brick Refractory Liner
Traditional

Glass Tray
For use with Bronze Glass Media, Cannonballs, and Driftwood Log Set

Accent Lighting
For use with the Glass Tray

Log Set
Oak (8 piece) Set, and Driftwood (6 Piece) Set

Thermostat
Wall Mount Millivolt Thermostat or Programmable Thermostat



Remote Control
Thermostat on/off, Thermostat on/off modulating, Thermostat on/off modulating and light control.

Model MCVP42NH Peninsula Fireplace – Natural Gas, MP42GT Glass Tray, ZG5C Glass Media – Bronze x (5), RBCB1 Cannonballs, MP42PL Porcelain Reflective Liner.



THE ULTIMATE IN DESIGN, ENGINEERING & QUALITY

DESIGNER CLEAN VIEW™ FIREPLACES

Make the most of the best view in the house with our line of Zero Clearance Direct Vent Peninsula Gas Fireplaces. Ideally suited for new construction or renovations anywhere in your home.

OPTIONS



Model MCVP42NH Peninsula Fireplace – Natural Gas, MP42GT Glass Tray, ZG5C Glass Media Bronze x (5), M42LOG3 Drift Wood Log Set, MP42PL Porcelain Reflective Panel.

STYLING



M42LOG4
Oak Log Set



M42LOG3
Driftwood Log Set



RBCB1 Multi-colored
Cannonballs

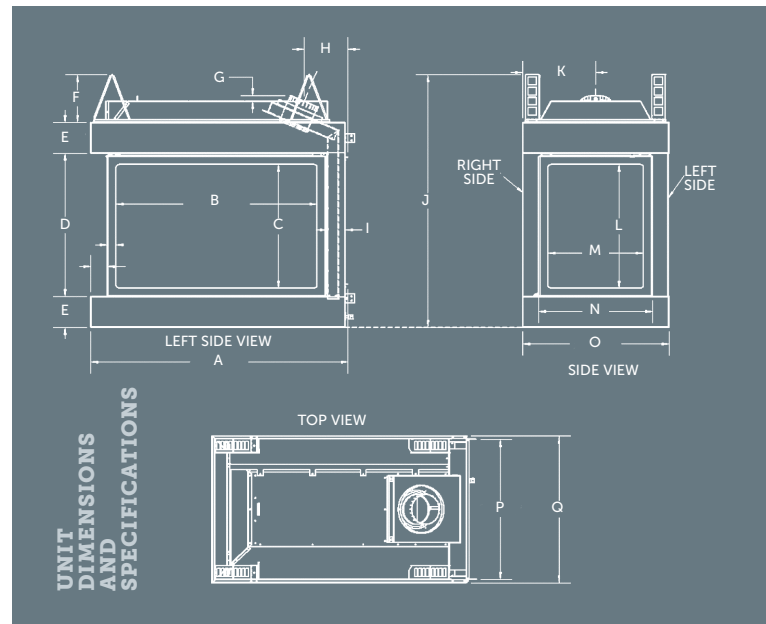


MP42RLT Traditional
Brick Liner



MQG5C Decorative
Ember Glass

FRONT VIEW	SIDE VIEW	TOP VIEW
A	43 ¹ / ₁₆ "	-
B	33 ¹¹ / ₁₆ "	-
C	20 ⁵ / ₈ "	-
D	23 ¹⁵ / ₁₆ "	-
E	5 ³ / ₁₆ "	-
F	8"	-
G	1"	-
H	7 ³ / ₈ "	-
I	3"	-
J	-	42 ¹ / ₄ "
K	-	12 ¹ / ₄ "
L	-	20 ⁵ / ₈ "
M	-	16"
N	-	19"
O	-	24 ¹ / ₄ "
P	-	23 ¹ / ₄ "
Q	-	24 ¹ / ₂ "



UNIT AND FRAMING SPECIFICATIONS (IN.)

Top Flue Models	Height Actual	Height Framing	Width Actual	Width Framing	Depth Actual	Depth Framing
MCVP42	42 ¹ / ₄ "	42 ³ / ₈ "	43 ¹ / ₁₆ "	42 ¹ / ₂ "	24 ¹ / ₂ "	23 ⁵ / ₁₆ "



2340 Logan Avenue
Winnipeg, Manitoba, Canada R2R 2V3
Phone: (204) 632-1962 Fax: (204) 632-1960
www.kingsmanfireplaces.com

MCVP42

ZERO CLEARANCE DIRECT VENT PENINSULA GAS FIREPLACE



Model MCVP42NH Peninsula Fireplace – Natural Gas,
MP42GT Glass Tray, ZG5C Glass Media – Bronze x (5),
MP42PL Porcelain Reflective Liner.



Canada

ENERGUIDE

Look for the **EnerGuide**
Gas Fireplace Energy
Efficiency Rating in this brochure

Based on CSA P.4.1-15



*Components may have to be ordered separately to create a complete unit. Discuss with your local Kingsman dealer for clarification.
Kingsman Fireplaces maintains a program of continuous testing, refinement and improvements of all its products.
Some aspect of units shown here may be changed at any time without notice or obligation.
Certification: ANSI Z21.88-2017 • CSA 2.33-2017, CSA 2.17-2017 Vented Gas Fireplace Heater.



FOR CALIFORNIA RESIDENTS ONLY:
WARNING! This product can expose you to chemicals including Carbon Monoxide, that is an externally vented by-product of fuel consumption, which is [are] known to the State of California to cause birth defects or other reproductive harm. For more information, visit www.P65Warnings.ca.gov.



CRAFTED ENTIRELY IN CANADA, EACH KINGSMAN FIREPLACE IS BUILT TO THE HIGHEST STANDARDS AND MADE TO LAST.

Printed in Canada
10/19 – B084