



# INSTALLATION AND OPERATION MANUAL

## Pellet-Fired Fireplace Insert

Save These Instructions  
For Future Reference

P/N 900139-00, Rev. C, 02/2020



## Pellet Insert Model Winslow™ (PI40GL)



Report No. 14-188

A French manual is available upon request. Order P/N 900140-00.

Ce manuel d'installation est disponible en français, simplement en faire la demande. Numéro de la pièce 900140-00.

This appliance must be properly installed and operated in order to prevent the possibility of a house fire. Please read this entire manual before installation and use of this pellet fuel-burning room heater. Failure to follow these instructions could result in property damage, bodily injury or even death. Contact your local building or fire officials to obtain a permit and information on any installation requirements and inspection requirements in your area.

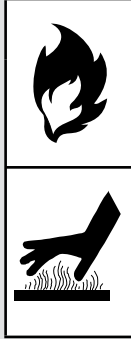


[www.nficertified.org](http://www.nficertified.org)

We recommend that our pellet hearth products be installed and serviced by professionals who are certified in the U.S. by the National Fireplace Institute® (NFI) as NFI Pellet Specialists or who are certified in Canada by Wood Energy Technical Training (WETT).



### WARNING



- **Hot! Do not touch!** The glass and surfaces of this appliance will be hot during operation and will retain heat for a while after shutting off the appliance. Severe burns may result.
- Carefully supervise children in the same room as appliance.
- IHP pellet-burning appliances are designed for use as a supplemental heater. They are not intended for continuous use as a primary heat source.

## CONGRATULATIONS!

When you purchased your new pellet fireplace insert, you joined the ranks of thousands of individuals whose answer to their home heating needs reflects their concern for aesthetics, efficiency and our environment. We extend our continued support to help you achieve the maximum benefit and enjoyment available from your new pellet fireplace insert.

Thank you for selecting an Innovative Hearth Products (IHP) pellet fireplace insert as the answer to your home heating needs.

## TABLE OF CONTENTS

Using this Manual .....	Page 2
Important Safety Warnings .....	Page 3
Planning Your Installation .....	Page 4
Smoke Detector Recommended.....	Page 4
Carbon Monoxide Monitor Recommended .....	Page 4
Selecting a Location.....	Page 5
Negative Pressure Warning.....	Page 5
Features and Specifications .....	Page 6
Insert Dimensions.....	Page 8
Minimum Fireplace Size .....	Page 8
Clearances to Combustibles.....	Page 9
Hearth Protection.....	Page 9
Installation .....	Page 10-19
Control Board Installation.....	Page 10
Venting.....	Page 10
Vent Termination Requirements .....	Page 10
Vent Termination Locations.....	Page 11
Insert Leveling.....	Page 12
Surround Installation.....	Page 12
Mobile Home Installations.....	Page 13
Outside Air Installations .....	Page 14
Thermostat installation.....	Page 14
Door Trim Installation Instructions .....	Page 14
Door Grill Installation Instructions .....	Page 16
Brick Panel Installation Instructions.....	Page 17
Log Set Installation Instructions .....	Page 19
Operation .....	Page 20-21
Control Board.....	Page 20
Filling the Hopper .....	Page 20
Lighting.....	Page 20
Manual Operation.....	Page 20
Thermostat Operation .....	Page 20
Shut Down .....	Page 21
Paint Curing .....	Page 21
Convection Blower Operation .....	Page 21
Operating Sounds .....	Page 21
Pellet Fuel.....	Page 21
Corn Fuel.....	Page 21
Cautions.....	Page 21
Cleaning and Maintenance .....	Page 22-25
Burn-Pot Cleaning.....	Page 22
Cleaning Glass.....	Page 22
Inspect Gaskets.....	Page 22
Cleaning Heat Exchanger.....	Page 22
Cleaning Flue Gas Passageways.....	Page 22
Cleaning Combustion Blower .....	Page 23
Cleaning Vent Pipe .....	Page 23
Removing Ash from the Firebox.....	Page 24
Cleaning Convection Blower.....	Page 24
Cleaning “Proof of Fire” Switch.....	Page 24
Adjustable Hopper.....	Page 24
Front Door Opening and Removal .....	Page 25
Side Door Removal .....	Page 25
Component Location and Functions.....	Page 26-27
Igniter.....	Page 22
Vacuum Switch .....	Page 26
Auger and Auger Motor .....	Page 26
Over Temperature Snap Switch .....	Page 26
Proof of Fire Snap Switch.....	Page 26
Convection Blower Snap Switch.....	Page 26
Hopper Lid Switch .....	Page 26
Draft Adjuster.....	Page 27
Wiring Diagram .....	Page 27
Diagnostic Codes .....	Page 28
Troubleshooting.....	Page 28
Replacement Parts .....	Page 30
Accessories.....	Page 31
Heat Kit Instructions .....	Page 33
Pellet Insert ZC Kit Assembly Instructions .....	Page 34
ZC Framing Dimensions for	
Combustible Hearth /Floor .....	Page 37
ZC Framing Dimensions for Non-	
Combustible Hearth /Floor .....	Page 38
Safety Listing / Rating Plate .....	Page 39
Warranty .....	Page 41
Product Reference Information.....	Page 42

### USING THIS MANUAL

Please read and carefully follow all of the instructions found in this manual. Please pay special attention to the safety instructions provided in this manual.

**PRODUCT IS SUBJECT TO CHANGE WITHOUT NOTICE**

## IMPORTANT SAFETY AND WARNING INFORMATION

READ THIS MANUAL IN ITS ENTIRETY AND UNDERSTAND THESE RULES TO FOLLOW FOR SAFETY.

### WARNING

Improper installation, adjustment, alteration, service or maintenance can cause injury or property damage. Refer to this manual. For assistance or additional information consult a qualified installer, service agency or the gas supplier.

### WARNING

Do not attempt to alter or modify the construction of the appliance or its components. Any modification or alteration may void the warranty, certification and listings of this unit.

1. DO NOT CONNECT THIS UNIT TO A CHIMNEY FLUE SERVING ANOTHER APPLIANCE.
2. Do not connect this appliance to air ducts or any air distribution system.
3. DO NOT INSTALL A FLUE DAMPER IN THE EXHAUST VENTING SYSTEM OF THIS UNIT.
4. Do not use class B venting intended for gas appliances as a chimney or connector pipe on a pellet-fired appliance.
5. The minimum clearances must be maintained for all combustible surfaces and materials including; furniture, carpet, drapes, clothing, wood, papers, etc. Do not store combustibles within this clearance space (see Clearances on Page 9).
6. **INSTALLATION DISCLAIMER** - It is imperative that the exhaust venting system be installed correctly and sealed gas-tight (not allowing exhaust to leak). Follow the vent manufacturer's instructions for proper installation. Since IHP has no control over the installation of your fireplace insert, IHP grants no warranty, implied or stated for the installation or maintenance of your insert, and assumes no responsibility for any consequential damage(s).
7. Burning any kind of fuel consumes oxygen. If outside air is not ducted to the appliance, ensure that there is an adequate source of fresh air available to the room where the appliance is installed.
8. The appliance will not operate using natural draft, nor without a power source for the blower and fuel feeding systems.
9. Never use gasoline, gasoline-type lantern fuel, kerosene, charcoal lighter fluid, or similar liquids to start or "freshen up" a fire in this heater. Keep all such liquids well away from the heater while it is in use.
10. The authority having jurisdiction such as municipal building department, fire department, fire prevention bureau, etc should be consulted before installation to determine the need to obtain a permit.
11. **APPROVED FUEL:** This appliance is designed specifically for use only with pelletized wood pellets or a mixture of up to 50% corn mixed with a minimum of 50% pelletized wood pellets. This mixture of wood pellets and corn should be evenly pre-mixed before being placed in the units hopper. This appliance is designed and approved for the burning of wood residue pellets with up to 2% ash content. This appliance is NOT approved to burn cardboard, nut hulls, cherry pits, etc. regardless if it is in pellet form. Failure to comply with this restriction will void all warranties and the safety listing of the stove. Consult with your IHP dealer for more information on approved pellet fuels.
12. These appliances are designed as supplemental heaters. Therefore, it is advisable to have an alternate heat source when installed in a dwelling.
13. **CONTINUOUS OPERATION:** When operated correctly, this appliance cannot be overfired. Continuous operation at a maximum burn can, however, shorten the life of the electrical components (blowers, motors, and electronic controls), and is not recommended. Typical approved operation would include running at the low to mid range setting with occasional running on the maximum setting during the coldest periods of the winter. **DO NOT OVER-FIRE THIS INSERT.** Follow all instructions regarding the proper use of this insert.
14. **CAUTION: NEVER PUT FINGERS NEAR AUGER.** This appliance is equipped with a hopper lid switch, which is designed to stop the auger when the hopper lid is opened. **NEVER DISCONNECT OR BYPASS THIS SWITCH FOR ANY REASON.** Pellet fuel is fed to the Burn Pot by a screw auger. This auger is driven by a high torque motor. The auger is capable of causing serious harm to fingers. Keep pellets in the hopper at all times and keep fingers away from auger. The auger can start and stop automatically at any time while the stove is running.
15. **CAUTION: HOT WHILE IN OPERATION.** An appliance hot enough to warm your home can severely burn anyone touching it. Keep children, pets, clothing and furniture away. Contact may cause skin burns. Do not let children touch the appliance. Train them to stay a safe distance from the appliance.
16. **FLY ASH BUILD-UP:** For all wood pellet fuel-burning heaters, the combustion gases will contain small particles of fly-ash. This will vary due to the ash content of the fuel being burned. Over time, the fly-ash will collect in the exhaust venting system and restrict the flow of the flue gases. The exhaust venting system should be inspected regularly and cleaned as necessary.
17. **SOOT FORMATION:** Incomplete combustion, such as occurs during startup, shutdown, or incorrect operation of the room heater will lead to some soot formation which will collect in the exhaust venting system. A precautionary inspection on a regular basis is advisable to determine the necessity of cleaning. The exhaust venting system should be inspected regularly and cleaned as necessary.
18. **DISPOSAL OF ASHES:** Ashes should be placed in a steel container with a tight fitting lid and moved outdoors immediately. The closed container of ashes should be placed on a noncombustible floor or on the ground, well away from all combustible materials, outside of the dwelling pending final disposal. If the ashes are disposed of by burial in soil or otherwise locally dispersed, they should be retained in the closed container until all cinders have been thoroughly cooled.
19. The instructions must be strictly adhered to. Do not use makeshift methods or compromise in the installation.
20. Do not abuse the door glass by striking, slamming or similar trauma. Do not operate the insert with the glass removed, cracked or broken.
21. **SAVE THESE INSTRUCTIONS.**
22. See the listing label on the appliance.

## **WARNING**

**This product can expose you to chemicals including Carbon Black, which is known to the State of California to cause cancer, and Carbon Monoxide, which is known to the State of California to cause birth defects or other reproductive harm. For more information go to [www.P65Warnings.ca.gov](http://www.P65Warnings.ca.gov)**

## **PLANNING YOUR INSTALLATION**

### **Questions To Ask Local Building Official**

A correct installation is critical and imperative for reducing fire hazards and perilous conditions that can arise when wood pellet burning appliances are improperly installed. The installer must follow all of the manufacturers' instructions.

## **WARNING**

**Check all local building and safety codes before installation. The installation instructions and appropriate code requirements must be followed exactly and without compromise. Alterations to the stove are not allowed. Do not connect the stove to a chimney system serving another stove, appliance, or any air distribution duct. Failure to follow these instructions will void the manufacturers warranty.**

The installation of this appliance must conform to local codes and applicable state and federal requirements. Familiarity with these requirements before installation is essential. Important considerations to discuss with local building officials include:

1. **Applicable codes** (i.e. Uniform Mechanical Code, State or Regional Codes).

#### **Electrical codes:**

In USA, NEC, ANSI/NFPA 70 – Latest Edition

In Canada, CSA C22.1 – Latest Edition

2. Local amendments
3. Is a permit required - cost. You may wish to contact your insurance company to ask if they require this.
4. If outside combustion air is required
5. Rooms where the installation is not allowed

### **Power Supply Requirements**

The power cord must be plugged into a standard, 120 volt, 60 Hz grounded electrical outlet. The power supply cord must be routed to avoid contact with any of the hot or sharp exterior surface areas of the stove. When installed in a manufactured home, the appliance must be electrically grounded to the steel chassis of the manufactured home (see *Mobile Home Installations* on **Page 13**, for additional requirements). These requirements must be met unless otherwise specified by state or local authorities.

### **Electrical**

- The fireplace insert requires 120 volts AC for operation.
- Maximum wattage is 700.
- Igniter wattage is 400.
- Normal operating wattage is 300.

### **Electrical Generator Operation**

Your Winslow™ PI40GL insert can be powered with a gas driven electrical generator. However, the generator's electrical regulator may not be compatible with the insert's electronics. The higher the quality of the generator, the greater the chance that it is compatible with the insert.

## **WARNING**

**Electrical grounding instructions: This appliance is equipped with a three-prong (grounding) plug for your protection against shock hazard and should be plugged directly into a properly grounded three-prong receptacle. Do not cut or remove the grounding prong from this plug. Do not route power cord under or in front of appliance.**

### **Smoke Detector Recommended**

Since there are always several potential sources of fire in any home, we recommend installing smoke detectors. If possible, install the smoke detector in a hallway adjacent to the room (to reduce the possibility of occasional false activation from the heat produced by these appliances). If your local code requires a smoke detector be installed within the same room, you must follow the requirements of your local code. Check with your local building department for requirements in your area.

### **Carbon Monoxide Monitor Recommended**

**Carbon Monoxide Poisoning:** Early signs of carbon monoxide poisoning are similar to the flu with headaches, dizziness and/or nausea. If you have these signs, obtain fresh air immediately. Some people are more affected by carbon monoxide than others, including pregnant women, people with heart or lung disease or anemia, those under the influence of alcohol, and those at high altitudes.

**It is against federal regulations to operate wood heaters in a manner inconsistent with operating instructions in the manual.**

### **Surge Protectors**

A surge protector is recommended to ensure the stove's electrical components are not damaged due to a surge in the electrical supply. Only high quality protectors listed to UL1449 should be used - low quality protectors do not provide the protection needed.

### **Installation / Maintenance Standards**

National Fire Protection Association – The primary NFPA standard that refers to installation and maintenance of pellet stoves and venting is NFPA 211 – Latest Edition: Chimneys, Fireplaces, Vents, and Solid Fuel appliances.

## SELECTING A LOCATION

The design of your home and where you place your stove will determine its value as a source of heat. This type of appliance depends primarily on air circulation (convection) to disperse its heat, and therefore, a central location is often best. There are other practical considerations, which must be considered before a final selection of locations is made. Some of which includes:

- Existing Chimneys
- Pellet Fuel Storage
- Aesthetic Considerations
- Roof Design (rafter locations & roof pitch)
- Room Traffic
- Proximity to Combustibles
- Electrical Wiring



## CAUTION

**The body of these appliances are very heavy. The use of a heavy duty escalara (stair step hand truck) is recommended for lifting the appliance body.**

## NEGATIVE PRESSURE WARNING

This appliance is not designed to be operated in a negative pressure environment. In very airtight homes with large kitchen exhaust fans, furnace cold air returns, fresh air exchange systems and any other air system in close proximity to the heating appliance may create a negative pressure in the same room as the heating appliance. This can create dangerous condition, drawing combustion by-products into the home. Be sure your home has adequate makeup air to eliminate negative pressures caused by the above-mentioned sources. Outside air connected to the appliance probably will not resolve such a problem as the stove is not the source of negative pressure. IHP accepts no liability for damages resulting from negative pressures described here.

**Ventilation Requirements** - Provide adequate air for combustion. The fresh air requirements of this appliance must be met within the space where it will be installed. Ventilation is essential when using a solid-fuel-burning heater. In well insulated and weather tight homes, it may inhibit the rate the exhaust flows through the venting system (caused by a shortage of air in the home). The lack of air is caused by many common household appliances which exhaust air from the home (such as a furnace, heat pump, air conditioner, clothes dryer, exhaust fans, fireplaces, and other fuel burning appliances). Also, the combustion process of this heater uses oxygen from inside the dwelling. If the available fresh air delivery in the dwelling is insufficient to support the demands of these appliances, problems can result (i.e. excessive negative pressure will result in performance problems. To correct this problem it may help to open a window (preferably on the windward side of the house) or install an outside combustion air duct to the appliance.

## FEATURES AND SPECIFICATIONS

### Installation Options

- Residential
- Vented vertical and horizontal (see venting instructions)
- Manufactured home and mobile home
- Thermostat or manual operation
- Bedrooms

### Heating

- Max. feed rate is 4.5 pounds/hour or 37,500 BTU/hour
- Min. feed rate is 1.8 pounds/hour or 15,120 BTU/hour

### Venting

This fireplace insert is approved for venting with Type L and Type PL pellet vent pipe or listed pellet flex liner. The flue collar on the fireplace insert accepts 3" diameter pipe. The vent pipe can be installed vertically or horizontally (see Venting section for recommended installations).

The combustion air for this fireplace insert is drawn through a pipe at the lower rear of the fireplace insert. For mobile home installations a 2" ID flex line or pipe can be attached to the fireplace insert's air intake to draw air from outside the house.

**NOTE:** When installing this stove at altitudes of 4000 feet and above, we suggest the use of 4" pellet vent.

### Thermostat

This fireplace insert can be operated manually or with a thermostat.

### Lighting

This fireplace insert is equipped with an electric self ignitor for ease of ignition.

**Weight** - 270 pounds

### Hopper Capacity

55 pounds (adjustable down to 40 pounds to fit into small fireplaces)

### Listing Information

The Winslow™ PI40GL insert is safety listed with the following agencies:

- PFS TECO to ASTM E 1509
- US EPA List of Approved Wood Heating Appliances
- Colorado Approved Pellet Stoves

### Appearance Options

The Winslow PI40GL insert can be ordered with the following door trims, grills, surround (flange) assemblies, log set and brick panel options :

#### Door Trim Kits

Black	79038
Nickel	79037
Brush Nickel	79035
Black Nickel	79036

#### Grill Kits

Black	79000
Nickel	79002
Brush Nickel	79022
Black Nickel	79039

#### Surround Kits

29" Ht. x 41" Wd. Black Trim	79004
29" Ht. x 48" Wd. Black Trim	79005
33" Ht. x 41" Wd. Black Trim	79006
33" Ht. x 48" Wd. Black Trim	79007

#### 32" ZC Surround Kit \*

29" Ht. x 41" Wd. x 3" Deep	H7232
-----------------------------	-------

\* This black surround kit positions the insert 3" forward so that it will allow the insert to fit into a fireplace with a narrower width in the front (32" min.). **NOTE:** No trim kits are available for this kit at this time.

#### Surround Trim Kits

Trim/Black 29" Ht. x 41" Wd.	H5143
Trim/Black 29" Ht. x 48" Wd.	H5145
Trim/Black 33" Ht. x 41" Wd.	H5144
Trim/Black 33" Ht. x 48" Wd.	H5146
Trim/Nickel 29" Ht. x 41" Wd.	75037
Trim/Nickel 29" Ht. x 48" Wd.	75039
Trim/Nickel 33" Ht. x 41" Wd.	75041
Trim/Nickel 33" Ht. x 48" Wd.	75043

#### Log Set

H5142

#### Brick Panel Kit

79030

## FUEL

### CAUTION

**The use of unapproved, dirty, wet and / or high salt content fuel will void the warranty!**

This insert is designed to burn wood pellet fuel. In addition, a corn/wood pellet mixture, with a maximum of 50 percent corn can be burned. Burning any other fuel that is not approved for use with this appliance will void the appliance warranty. **IMPORTANT: The corn/wood mix needs to be mixed evenly before being put in the pellet stove hopper.**

#### Wood Pellet Specifications

This appliance has been designed to burn wood residue pellets with up to 2% ash content. Dirty fuel will adversely affect the performance of the stove. Any questions regarding pellet fuel can be answered at the Pellet Fuels Institute (PFI), [www.pelletheat.org](http://www.pelletheat.org).

Pellet fuel is made from sawdust and scrap wood from many different species of wood. Pellets are either 1/4" or 5/16" in diameter and vary in length. The PI40GL insert will burn either diameter pellets. Pellets made from hardwoods contain more ash than those made from softwoods. Minerals from ash and sand in the pellets form clinkers under the extreme temperatures in the Burn-Pot. Try burning various brands of pellets until you find one that burns with minimum ash and clinkers. Once you find a pellet brand that burns well, continue using this brand. High ash fuel increases the frequency of stove cleaning. Fuel with an excessive moisture content may jam the auger assembly.

**Clinkering** - Silica (or sand) in the fuel, along with other impurities, can cause clinkering. A clinker is a hard mass of silica formed in the burning process. Clinkering is a function of the fuel, (not the stove), but adversely affects the performance of the stove by blocking off the air passages in the Burn-Pot. Even P.F.I. approved pellet fuel may tend to clinker. See *Maintenance* for more information on cleaning.

#### Pellet Fuel Storage -

- Store your wood pellets in a dry place to prevent them from absorbing excess moisture.
- Do Not store your wood pellets within the clearance zone of the stove.
- Do Not store your wood pellets in a place that would block access to refueling the hopper.

Wood pellets manufactured to the pellet fuels institute (P.F.I.) certification standard are available in two grades, Standard and Premium. The primary difference between the two is the ash content of the pellets.

The P.F.I. specification for standard grade and premium grade residential and commercial pellet fuel is as follows:

- CHLORIDES (Salt): Less than 300 p.p.m. to avoid stove and vent rusting.
- BULK DENSITY: 38 to 40 lb. / Cu. Ft. minimum
- MOISTURE CONTENT: 8% to 10% maximum
- ASH CONTENT: < 2% maximum (standard grade) < 1% maximum (premium grade)
- FINES: 0.5% to 1% maximum through a 1/8" screen
- BTU CONTENT: There are a number of variations in pellet fuels that are not included in PFI standards. For example, BTU (heat value) content may range from just under 8,000 to almost 9,000 Btu, depending upon species and region of the country and other variables.

#### Corn Fuel Specifications

Use only clean-shelled corn with a moisture content less than 15% and approximate fuel value of 7000 BTU/lb (16,200 kJ/kg). Do not attempt to burn corn with higher moisture content or burn lesser grade fuels. Do not burn other types of agricultural pellets or by-products (alfalfa, cherry pits, olive pits, nut shells, etc.) as they are not permitted to be burned in these appliances.

Shelled corn can be burned in this appliance when it is mixed with wood pellet fuel. The mixture can contain a maximum of 50 percent corn. Burning corn may create more ash than wood pellets and may necessitate the need to clean the Burn-Pot and glass more frequently.

Store corn in a tight container and use methods to ensure the corn does not become rain soaked or absorb moisture from damp or wet sources. This will also prevent rodents from becoming a problem. Do not store corn within stove installation clearances.

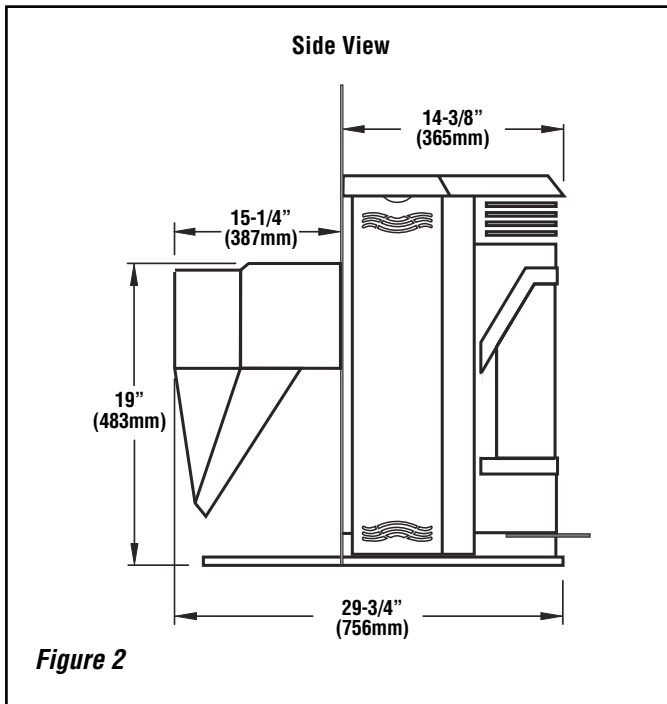
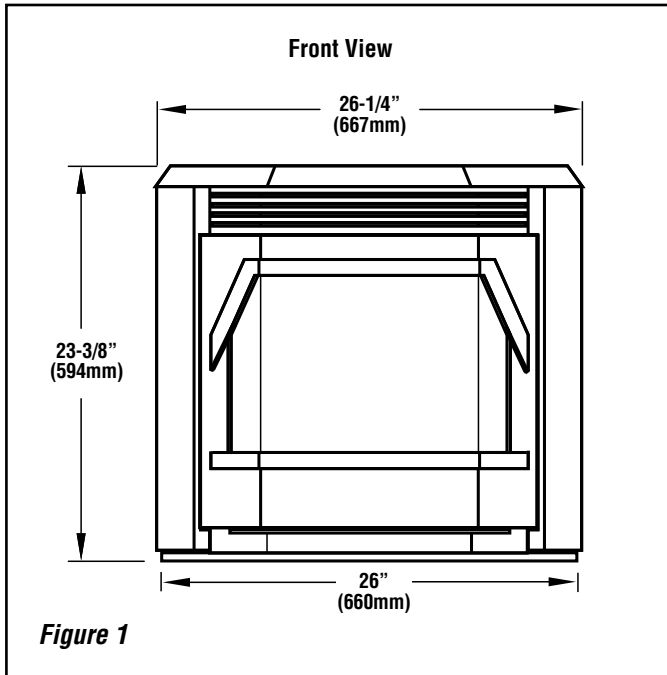
#### NOTES:

- *Corn with excessive grain dust must be screened, by sifting with 3/16" mesh screening. Large pieces of cob may plug the auger.*
- *When changing from burning all wood pellets to burning a corn and wood pellet mix, the draft adjuster may need to be adjusted to achieve proper combustion.*

### WARNING

**Do not burn treated seed corn! Seed corn is treated with chemical pesticides that are harmful or fatal if swallowed. Burning treated corn will void your warranty!**

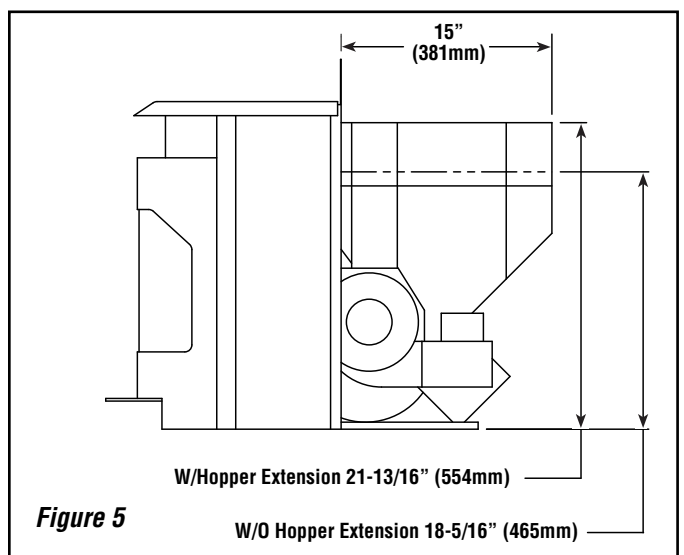
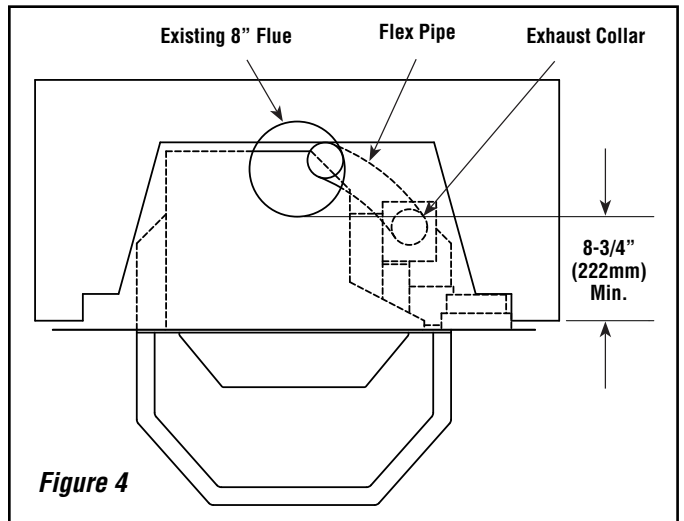
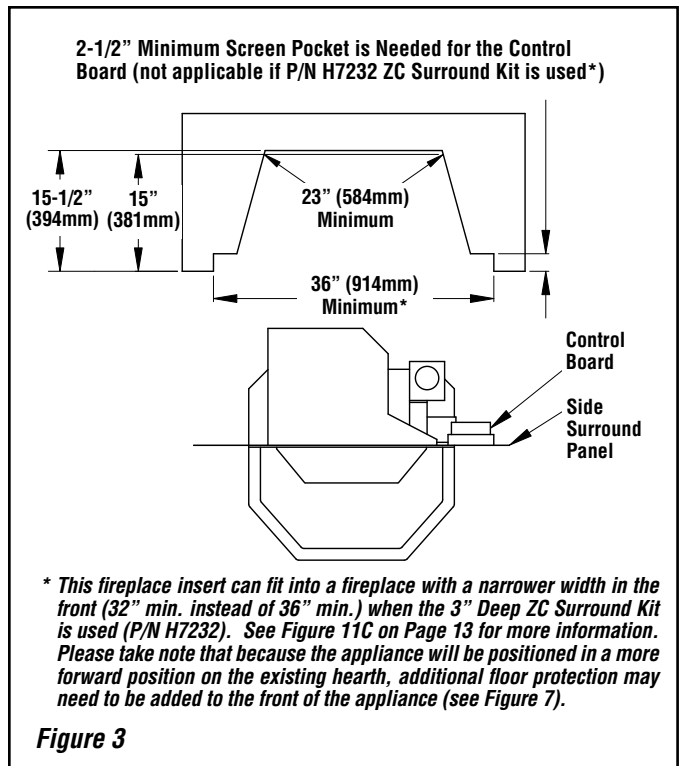
## INSERT DIMENSIONS



## MINIMUM FIREPLACE SIZE

Figures 3 and 5 shows the minimum sized fireplace required for the Winslow™ PI40GL insert when any of the four non-extended surround sizes are used.

With the hopper at its largest size (as shipped from the factory), the fireplace needs to be a minimum of 22-1/2" (572 mm) high. When the hopper is adjusted to its smallest size (see "Adjustable Hopper"), the fireplace needs to be a minimum of 19" (483 mm) high.





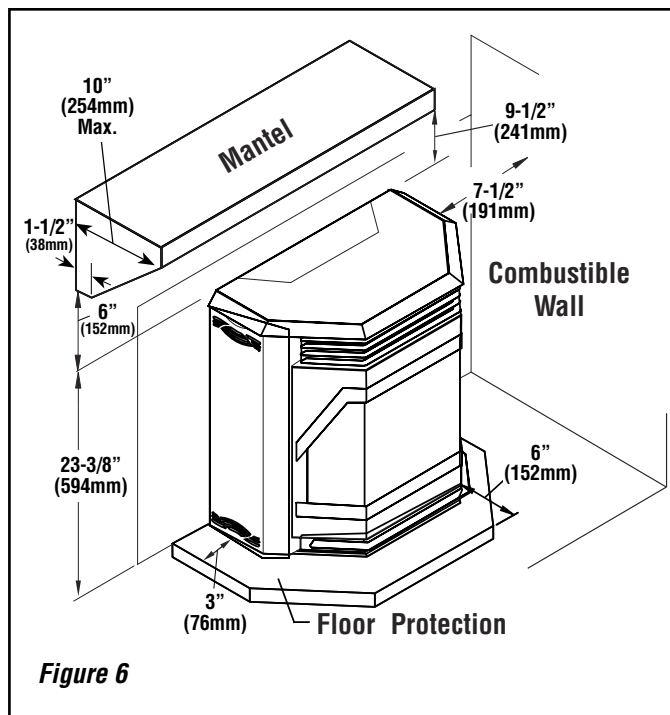
## CLEARANCES TO COMBUSTIBLES

### **! IMPORTANT**

- **Minimum clearances specified may not allow for ease of operation and maintenance (please take this in to account when planning the installation).**
- **Recommended clearance zone from the front of the appliance to combustibles is 4 feet minimum.**
- **Clearances to combustibles for the appliance can only be reduced by means approved by the regulatory authority.**

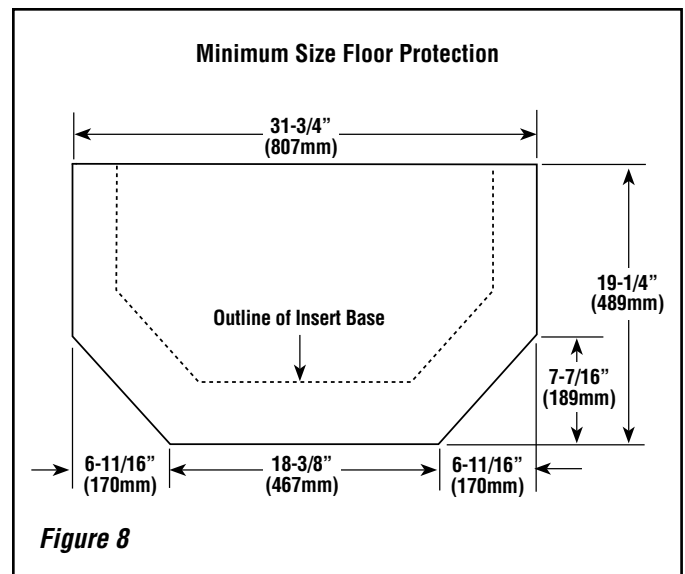
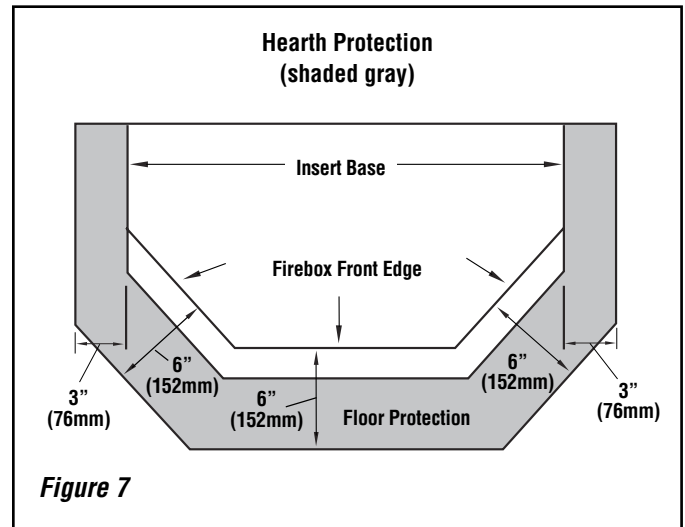
### INSTALL VENT AT CLEARANCES SPECIFIED BY THE VENT MANUFACTURER.

**Important:** The control board attaches to the back of the right side surround panel. Therefore, the width of the fireplace firebox needs to be 36" (914 mm) wide at the front if the insert with control board is to slide into the firebox. Extended surround panels are available to accommodate narrower fireboxes.



## HEARTH PROTECTION

The floor protector must be a non-combustible material extending beneath the insert from the surround panels forward and to the front and sides as shown in **Figure 7**. **Important, if anything other than a masonry hearth is used in the installation you must use the Heat Kit (Cat. No. 79024).**



### Zero Clearance Kit and Heat Kit Installation

The Winslow™ PI40GL insert has a Zero Clearance Kit (Cat. No. 79025) and a Heat Kit (Cat. No. 79024) approved for new construction or remodel installations. See Zero Clearance and Heat kit installation instructions at the back of this manual for requirements. Both kits have been tested and approved through PFS TECO.

## INSTALLATION

### Control Board Installation

The Winslow PI40GL insert is shipped with the control board wrapped and placed behind the firebox. To install the control board, unwrap it and the right side surround panel found in the surround kit. There are four prongs protruding from the surround. Place the two slots in the bottom and the two holes in the top of the control board over the four prongs on the surround panel. Install the surround panels following the instructions on **Page 12**.

### Venting

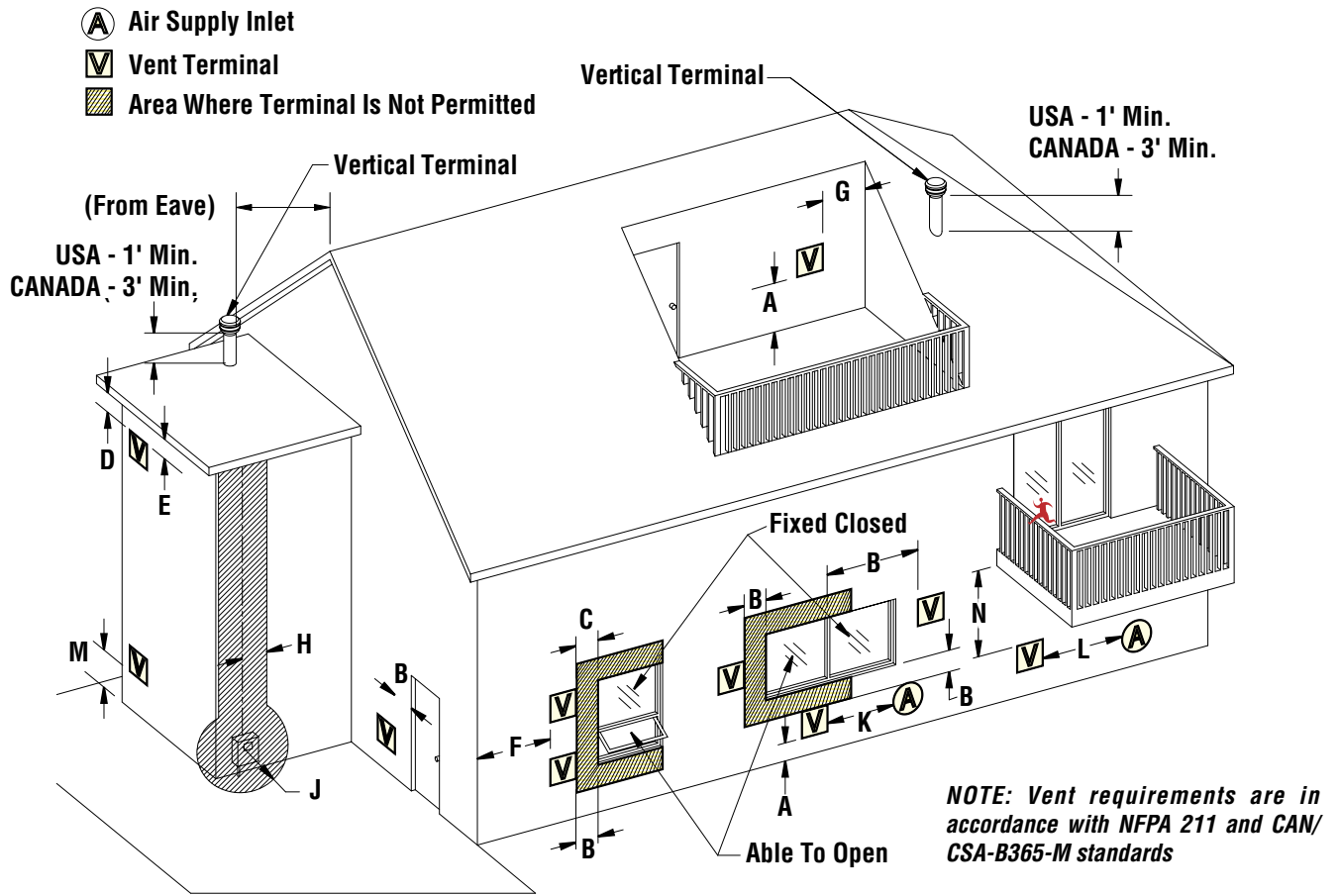
This fireplace insert is approved for venting with Type L and Type PL pellet vent pipe (listed to UL 641 and ULC S609) or listed pellet flex liner (2100HT [degree F.] liner listed to UL 1777 or ULC S635). The insert's flue collar is 3" in diameter. The insert's combustion blower pressurizes and pushes flue gases out the pellet pipe. All pipe joints should be locked together or screwed with three screws if the pipe does not have a locking system. The pipe joints can be sealed with high temperature silicone if there is a possibility of flue gases leaking into the living area. The pipe should be fastened with three screws to the insert's flue collar. The longer the run of pipe and the more elbows used, the greater the resistance to the flow of flue gases. Four inch diameter pellet pipe is recommended for pipe runs greater than 15 feet or when a number of elbows are used. A 3-4" increaser can be used to connect the 4" pipe to the 3" flue collar. The outside air pipe may run up the chimney, horizontally, or down provided the structural integrity of the fireplace and chimney system are maintained. **DO NOT INSTALL A FLUE DAMPER IN THE EXHAUST VENTING SYSTEM OF THIS UNIT. DO NOT CONNECT THIS UNIT TO A CHIMNEY FLUE SERVING ANOTHER APPLIANCE.**

### Vent Termination Requirements:

If the insert is not vented vertically, the following apply:

1. Do not terminate the vent in any enclosed or semi-enclosed areas such as a carport, garage, attic, crawlspace, narrow walkway, closely fenced area, under a sundeck or porch, or any location that can build up a concentration of fumes such as stairwells, covered breezeway, etc.
2. Vent surfaces can become hot enough to cause burns if touched. Non-combustible shielding or guards may be required.
3. Termination must exhaust above the inlet elevation. It is recommended that at least five feet of vertical pipe be installed outside when the insert is vented directly through a wall. This will create a natural draft to prevent the possibility of smoke or odor during appliance shut down or power failure and avoid exposing people or shrubs to high temperatures.
4. The vent should terminate no less than four feet below, no less than four feet horizontally from, and no less than one foot above doors and windows, or gravity/ventilation air inlets into the building.
5. The distance from the bottom of termination to grade is 12" (305 mm) minimum unless otherwise specified by the vent manufacturer. The distance between the bottom of the termination and a public walkway should be a minimum of seven feet.
6. Locate the vent termination at least two feet away from combustible materials such as shrubs, plants, grass, fences, roof overhangs, and adjacent buildings.

## Vent Termination Locations



- A = Refer to vent manufacturer's installation instructions for the required clearance above grade, veranda, porch, deck, or balcony.
- B = Clearance to window or door that may be opened (min. 12"/30cm above - 48"/1.2m below and to the side)
- C = Clearance to permanently closed window \*(min. 12"/30cm)
- D = Vertical clearance to ventilated soffit located above the terminal within a horizontal distance of \*(min. 24"/60cm) from the centerline of the terminal (min. 22"/55cm) check with local code.
- E = Clearance to unventilated soffit \*(min. 12"/30cm)
- F = Clearance to outside corner \*(min. 12"/30cm)
- G = Clearance to inside corner \*(min. 12"/30cm)
- H = Not to be installed above a meter/regulator assembly within \*(min. 36"/90cm) horizontally from the centerline of the regulator.
- J = Clearance to service regulator vent outlet \*(min. 72"/1.8m)
- K = Clearance to non-mechanical air supply inlet to building or the combustion air inlet to any other appliance \*(min. 48"/1.2m)

- L = Clearance to a mechanical air supply inlet \*(min. 120"/3.1m)
- M = \*\*Clearance above paved sidewalk or a paved driveway located on public property \*(min. 84"/2.1m)
- N = \*\*\*Clearance under veranda, porch, deck, or balcony (min. 12"/30cm)

**NOTE:**

- \* Local codes or regulations may require different clearances.
- \*\* A vent shall not terminate directly above a sidewalk or paved driveway which is located between two single family dwellings and serves both dwellings.
- \*\*\* Only permitted if veranda, porch, deck, or balcony is fully open on a minimum of two sides beneath the floor.

**Figure 9**

The recommended pipe installation is running the pellet pipe from the insert all the way to the top of the chimney. However, the pipe may terminate inside the chimney above the damper if the chimney is sealed below the pellet pipe termination with a block off panel (see **Figure 10**). The insert can also be vented horizontally out the back of the fireplace, but a listed pellet pipe thimble must be used if the pipe goes through a combustible wall and the structural integrity of the fireplace and chimney system must be maintained.

### Insert Leveling

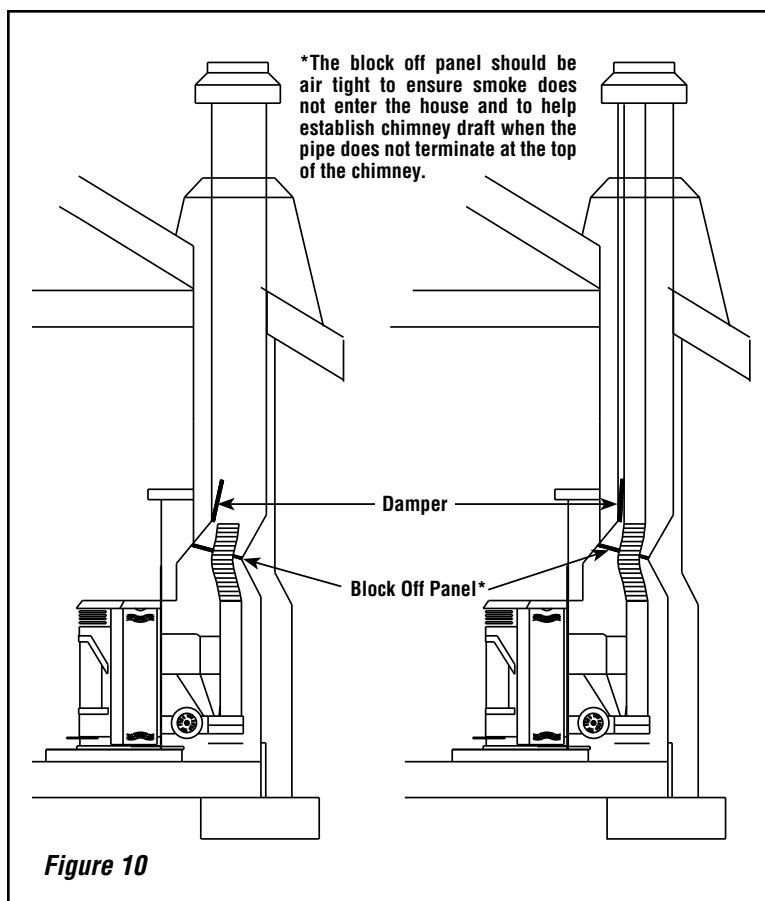
Inside the firebox is a bag of hardware with four 4"x 3/8" carriage bolts. If the insert needs to be leveled, install one of these bolts (from the bottom side) in the nuts at the left and right rear of the base of the insert. Open the front door and remove the bolts screwed into the nuts at the left and right front of the firebox floor.

From the bottom outside of the insert, install the remaining two carriage bolts in the nuts from which the bolts were just removed. A zero clearance front support is available to fill the space between the insert and hearth.

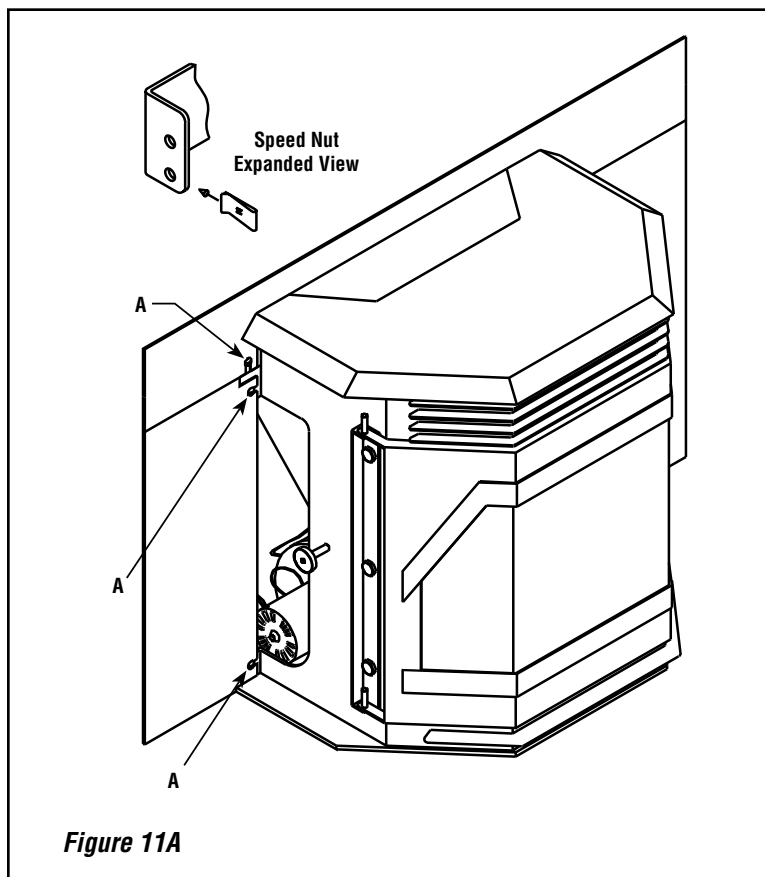
### Surround (Flange) Installation

To install the surround panels:

1. Remove the side doors (see **Page 25**) to access the surround mounting brackets. Remove the speed nuts from the parts bag found in the firebox. Install the six speed nuts (with the flat surface forward) on the six surround mounting bracket holes, three on each side of the insert. A flat-bladed screwdriver may help in installing the nuts. See the expanded view in **Figure 11A**.
2. Screw the six 1/4" truss head screws partially into the speed nuts (see A in **Figure 11A**).
3. The side surround panel with the small access door for the control board goes on the right side of the insert (see **Figures 11B and 11C**). Slide the slots in the side surround panels and top surround panels behind the heads of the truss screws. Tighten all six truss screws after shifting surround panels to eliminate space between the side and top surround panels.
4. Install two spring clips approximately five inches from each end of each of the three trim pieces. The spring clips should be installed in the channel of the trim with the curved portion of the clip to the front toward the rounded surface of the trim.
5. Place the longest trim piece with the rounded surface out along the edge of the top surround panel with the spring clips slightly behind the surround panel. Pull the trim forward, compressing the spring clips, and slide the trim down onto the surround.
6. Insert the elbowed retainer in the mitred end of the side trim pieces and fasten with flat screwdriver. Insert the other end of the retainer in the end of the already installed top surround trim and slide side trim onto the edge of the side surround compressing the spring clips in the process. Repeat the same steps for the other side trim. Fasten the elbowed retainer securely in the top surround making a nice mitred corner.



**Figure 10**



**Figure 11A**

### Fireplace Installation Using Standard Surround Kits (P/N 79004, 79005, 79006 and 79007)

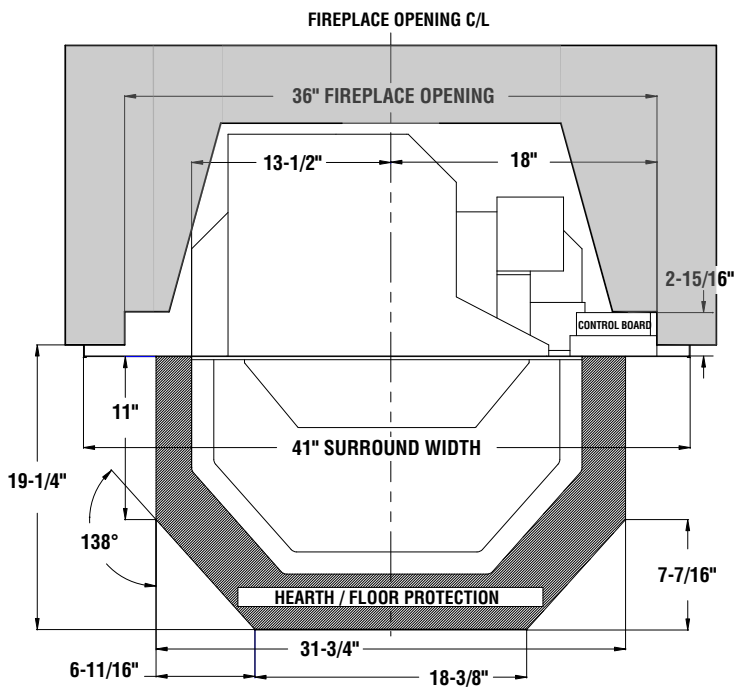
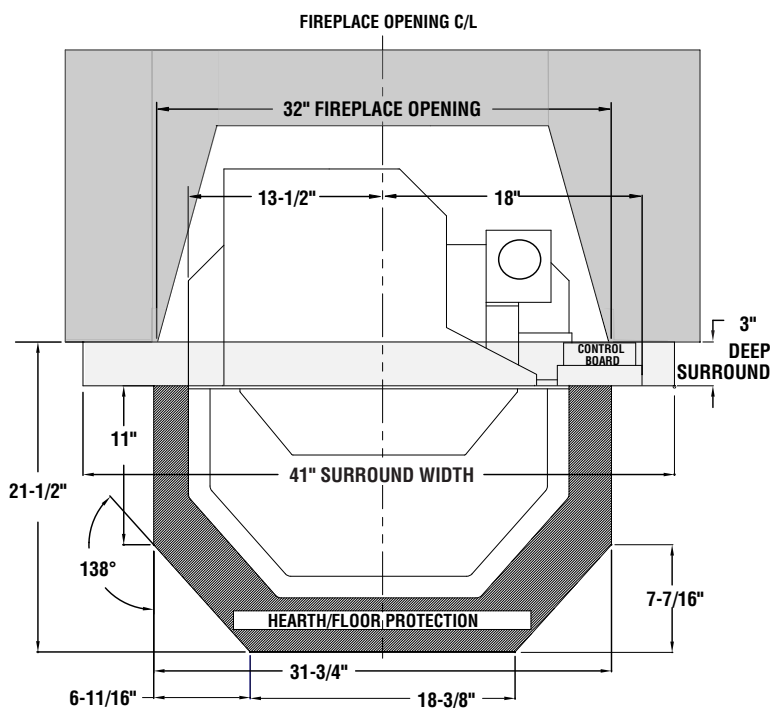


Figure 11B

### Fireplace Installation Using 3 Inch Deep ZC Surround Kit (P/N H7232 \*)



\* This black surround kit positions the insert 3" forward so that it will allow the insert to fit into a fireplace with a narrower width in the front (32" min.). NOTE: No trim kits are available for this kit at this time. See instruction sheet P/N 506033-05 for more information.

Figure 11C

### Manufactured (Mobile) Home Installations

In addition to the standard installation instructions, the following instructions may be required by local, state or federal building codes. See **Figure 12**.

- Installation should be in accordance with the Manufactured Home and Safety Standard (HUD), CFR 3280, Part 24.
- Connecting the Winslow PI40GL insert to outside combustion air is required in manufactured home installations and when required by local building codes. The insert's air intake will accept 2" ID pipe to accommodate outside air installations. The air intake on the exterior of the home should always be located a minimum of 18" below the flue termination and must remain free of obstruction. The inlet must also have a screen with openings not larger than 1/4" to prevent rodents from entering.
- The insert must be fastened to the hearth/floor using lag screws. The screws can be inserted through the holes in the base located behind the side doors. If the hearth is concrete or masonry, use proper lag bolts and methods designed for anchoring to masonry or concrete.
- The insert must be grounded with a #8 or larger copper wire.

**WARNING: DO NOT INSTALL THIS INSERT IN A SLEEPING ROOM IN A MANUFACTURED HOME.**

**CAUTION: THE STRUCTURAL INTEGRITY OF THE MANUFACTURED HOME FLOOR, WALL, AND CEILING/ROOF MUST BE MAINTAINED.**

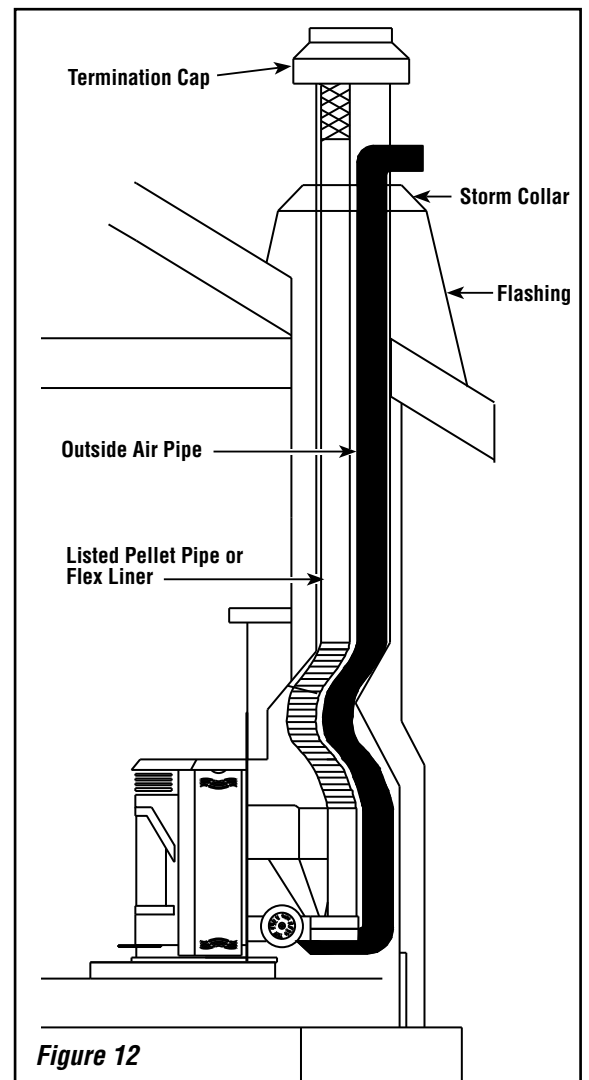


Figure 12

## Outside Air Installations

Connecting the Winslow PI40GL insert to outside combustion air is required in manufactured home installations and when required by local building codes. The fireplace insert's air intake will accept 2" ID pipe to accommodate outside air installations. The air intake on the exterior of the home should always be located a minimum of 18" below the flue termination and must remain free of obstruction. The inlet must also have a screen with openings not larger than 1/4" to prevent rodents from entering. The outside air pipe may run up the chimney, horizontally, or down provided the structural integrity of the fireplace and chimney system are maintained.

## Thermostat installation

The Winslow PI40GL insert can be operated manually or by thermostat. The insert comes from the factory wired to operate manually, see control board operation on **Page 20**. A low voltage thermostat can be installed on the insert. To install the thermostat:

1. Unplug the insert from the electrical outlet. Open the right side door and lift out the control board from its retaining brackets. Locate the light green wiring block at the bottom back of the board (see **Figure 13**), loosen the two screws B at the back of the block, and remove the U shaped jumper wire A protruding from the block.
2. Insert a wire from the thermostat into one of the slots from which the jumper wire was removed. Repeat this process for the other thermostat wire.

Retain the jumper wire for future reinstallation. See **Page 20** for thermostat operation instructions.

**IMPORTANT NOTE:** Install the thermostat per the manufacturers instructions, provided with the thermostat. Failure to follow manufacturers instructions could result in a malfunction. Pay special attention to the thermostat location requirements. If the location requirements are not adhered to the appliance, erratic operation or failure may occur.

Do not mount the thermostat where it may be affected by:

- Radiant heat from the insert, fireplaces, sun or other heat sources.
- Drafts or dead spots behind doors or in corners.
- Hot or cold air from ducts.

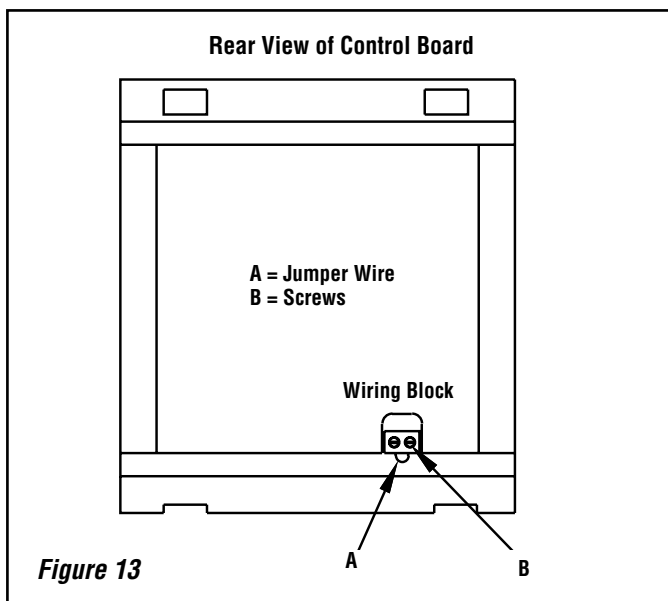


Figure 13

## Door Trim Installation Instructions

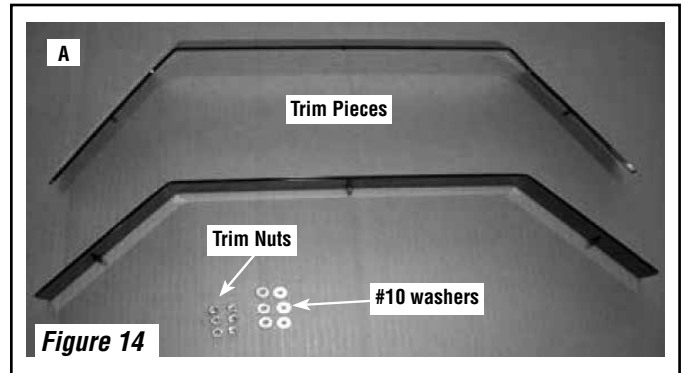
(ref. form # 775274M)

### Parts List (A)

- Qty  
 (2) Trim Pieces (Black, Gold, Nickel, Brushed Nickel or Black Nickel)  
 (6) #10 Nuts  
 (6) #10 Washers

### Tools Needed

3/8" Nut Driver or Socket Wrench



## IMPORTANT

**If you have a gold or nickel trim, be sure to clean them with a soft cloth and household glass cleaner prior to burning the insert. Fingerprints left on the plated surfaces while burning will usually remain on the finish permanently.**

To Install Door Trim:

1. Remove the trim pieces and hardware from its packaging and ensure that all pieces are present before beginning installation. Take care not to scratch finished surfaces.
2. Open right and left side door. The side doors swivel open towards the back of the insert. See **Figure 16**.
3. Open front door. Put door trim in place by inserting trim studs into the corresponding holes in the front door (**Figures 14 and 15**). The upper door trim will only fit in one direction, but the lower door trim can be installed incorrectly. When placing the lower door trim, make sure that the distance between the top edge of the lower door trim to the glass in the door is 9/16" (see **Figure 18**).

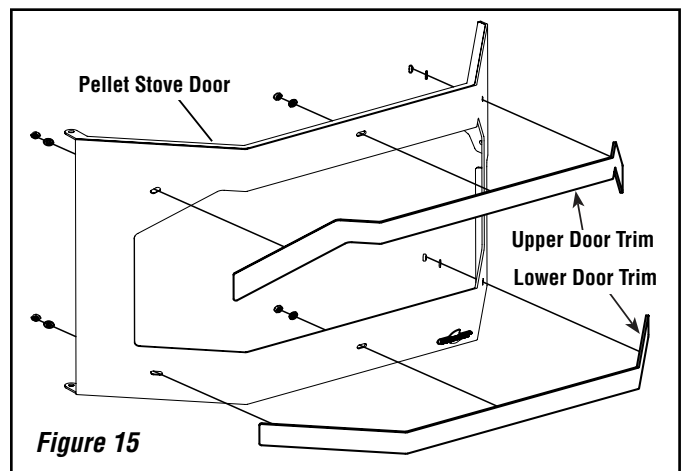
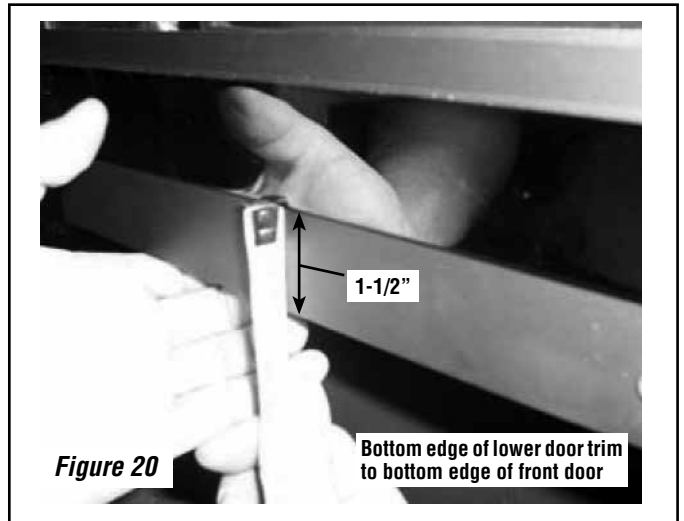
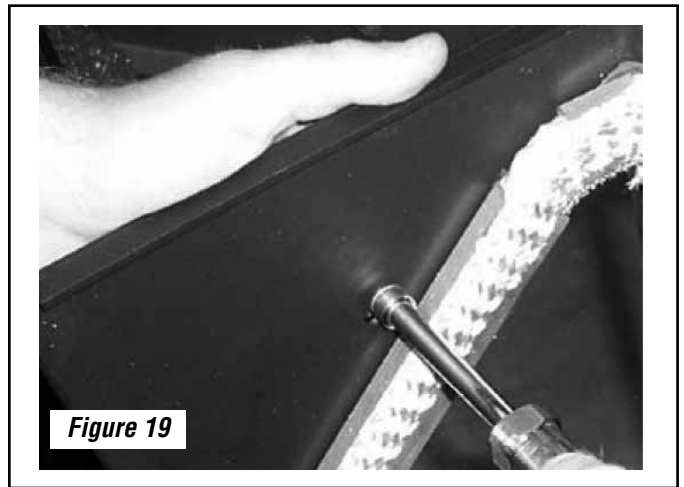
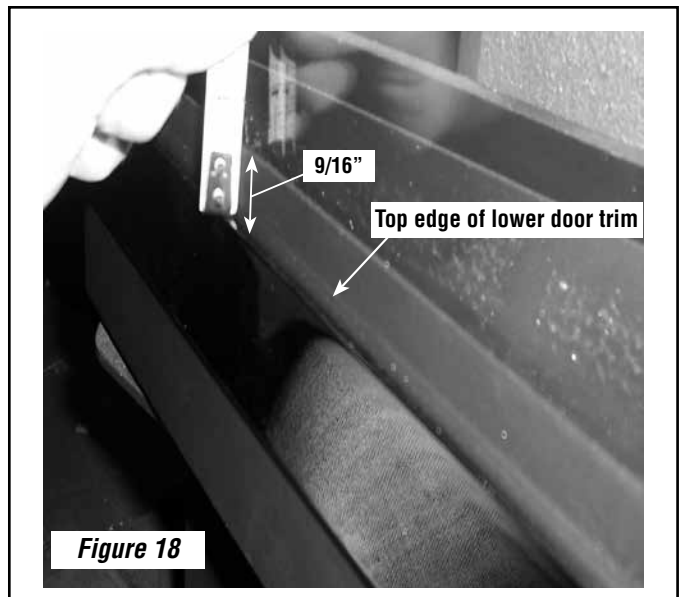
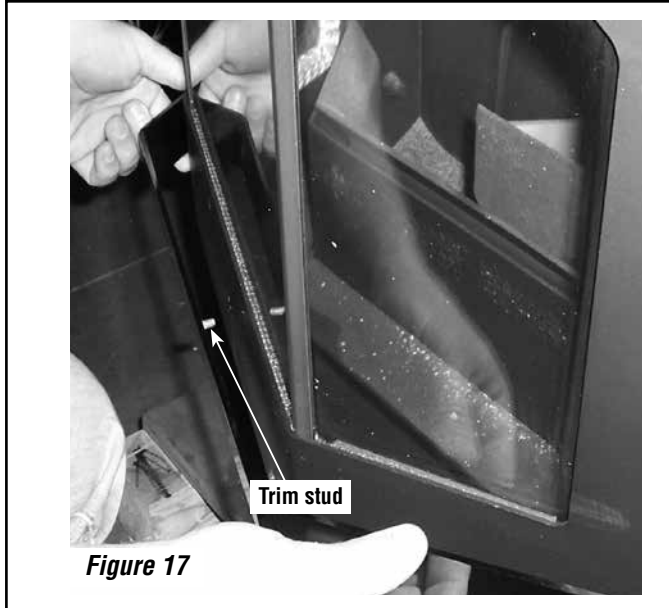
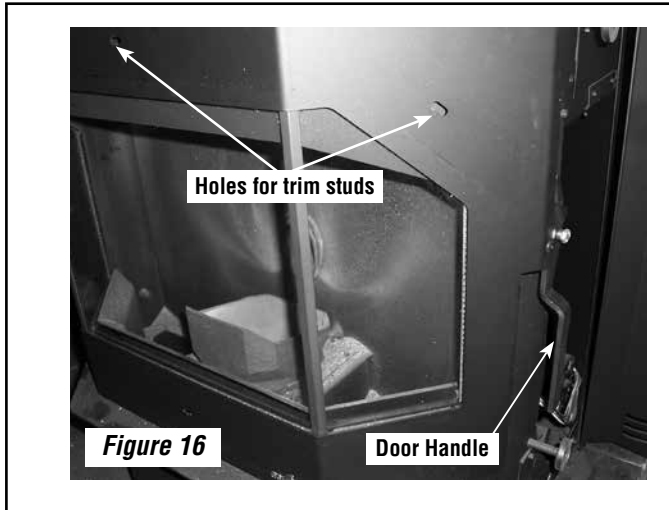


Figure 15

4. Place one washer on each stud. Using a 3/8" nut driver, snug up the nuts on each piece of trim. Do not finish tightening the nuts yet. See **Figure 19**.
5. There should be approximately a 7/8" (22 mm) gap between the top edge of the upper door trim and the top edge of the front door and a 1-1/2" (38 mm) gap between the lower door trim to the bottom of the front door. Visually inspect the alignment of the trim and adjust if necessary. See **Figure 20**.
6. Finish tightening nuts. **CAUTION - DO NOT OVER-TIGHTEN NUTS, DIMPLING OF THE TRIM WILL OCCUR!!!**



## Door Grill Installation Instructions (ref. form # 775273M)

### Parts Needed

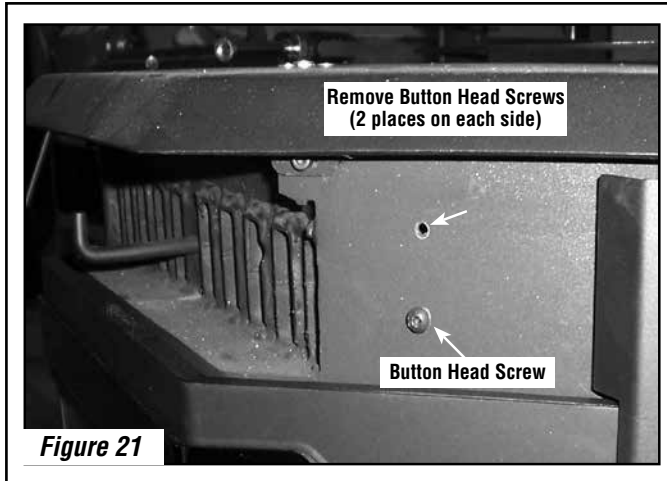
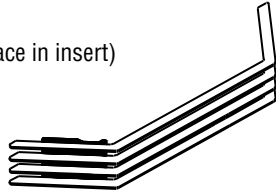
Qty  
(4) Button Head Screws (already in place in insert)

### Tools Required:

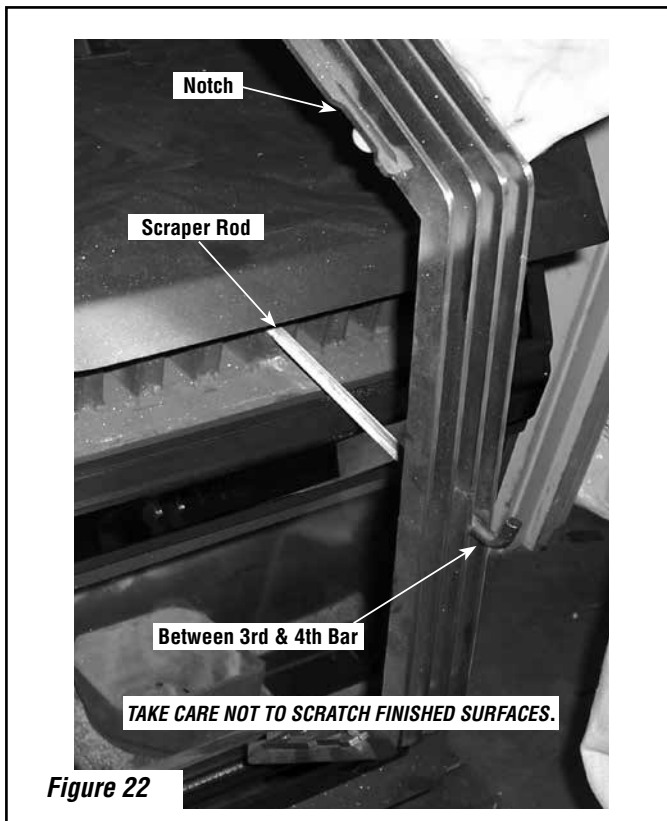
1/8" allen wrench

### To install the Grill:

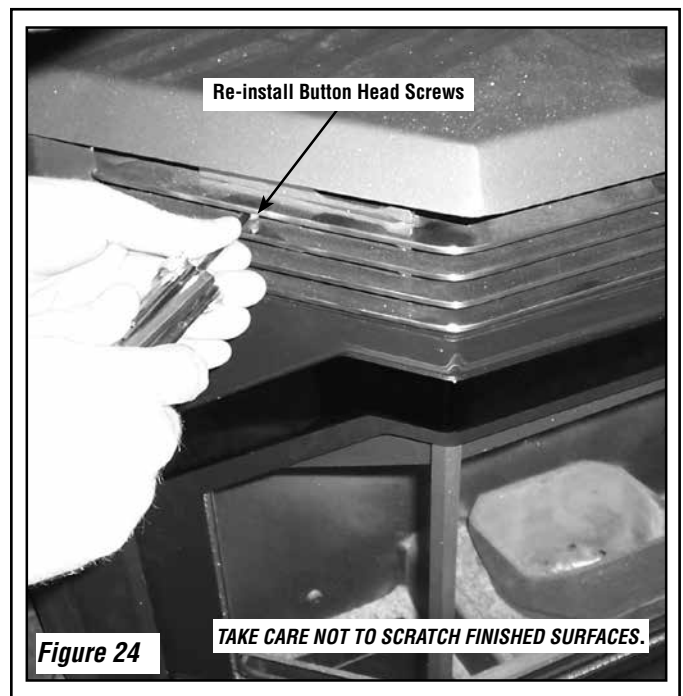
1. Remove the four button head screws from body of the insert with a 1/8" allen wrench. See **Figure 21**.



2. Pull the scraper rod out, rotate the grill vertically, (with the notch to the left) and slide the grill over the scraper rod (slide the rod between the third and fourth bar). See **Figure 22**.



3. Rotate the grill back to the horizontal position, then using 1/8" allen wrench or t-handle wrench, re-install the four button head screws through the two holes at each end of the grill and into the stove body. See **Figures 23 and 24**.



### IMPORTANT

If you have a gold or nickel grills, be sure to clean them with a soft cloth and household glass cleaner prior to burning the insert. Fingerprints left on the plated surfaces while burning will usually remain on the finish permanently.



## Brick Panel Installation

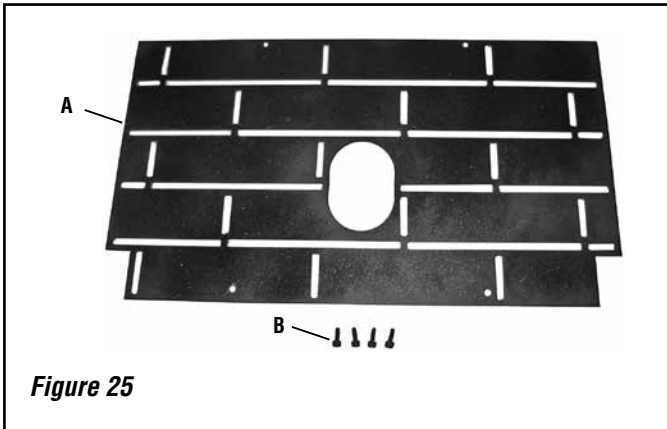
**Option: Part #79030**

### Kit Contents

Brick Panel (A)  
4 Tap Tights (B)

### Tools Required

Drill (90° drill recommended)  
#18 drill bit  
5/32 allen wrench



**Figure 25**

**NOTE: The brick panel comes pre-painted with Metallic Black paint. The brick panel may be painted with any color of high-temp paint (paint may discolor with use).**

1. Remove the front door of the pellet insert. To remove the front door, open the two side panels, swing open the front door, and lift it up and off of its hinges. Remove the optional log set, if present, and the Burn-Pot.



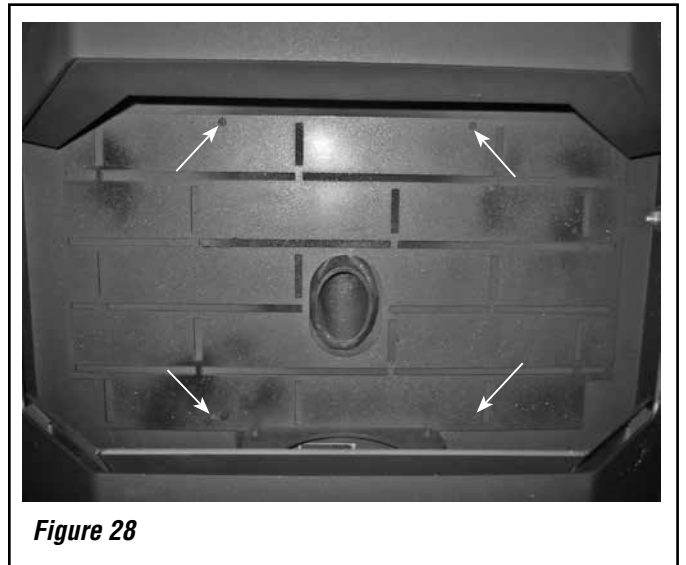
**Figure 26**

2. Remove all pellets and ash from the firebox to ensure a proper fit for the brick panel.
3. Insert the brick panel, top first, as shown in **Figure 27**. The two cut out corners should be at the bottom.



**Figure 27**

4. Make sure that the brick panel is centered, with equal space on either side of the auger tube. While holding the panel in place, use the drill with a #18 drill bit to drill out the four holes in the back of the firebox, as shown in **Figure 28**.



**Figure 28**

5. Screw in the four tap tights, included with this kit, using a 5/32 allen wrench.

6. Replace the Burn-Pot and check that it is firmly in place (if you can rotate the Burn-Pot it is not installed correctly). If present, install the optional log set according to the log set installation instructions (included with your log set).

7. Re-hang the door by reversing the instructions in step 1.



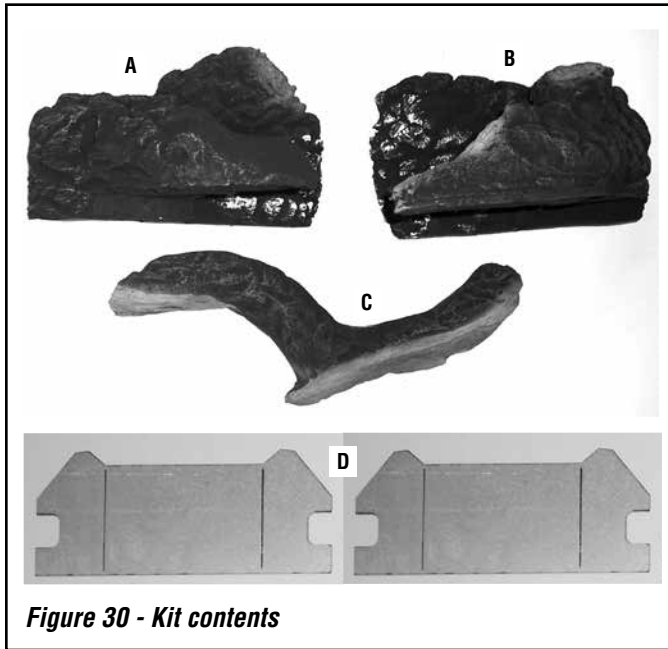
**Figure 29**

**Log Set Installation Instructions**  
(ref. form # 775275M)

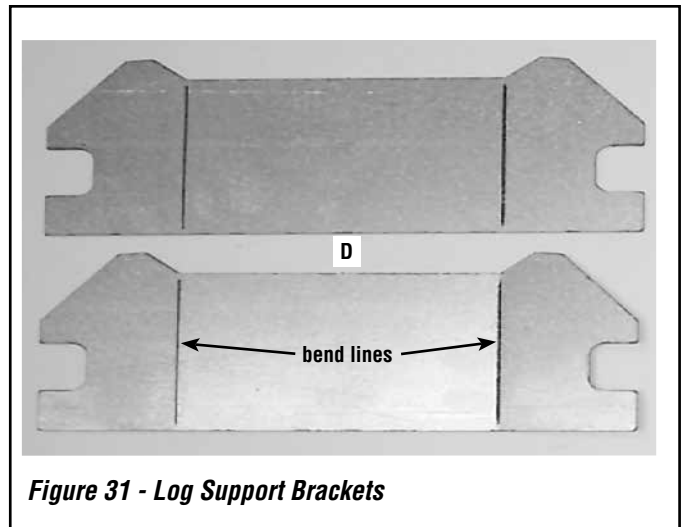
**Kit Contents**  
(refer to *Figure 30*)

- 1 ea. Left Log (A)
- 1 ea. Right Log (B)
- 1 ea. Front Log (C)
- 2 ea. Log Support Brackets (D)
- 1 ea. Instruction Sheet

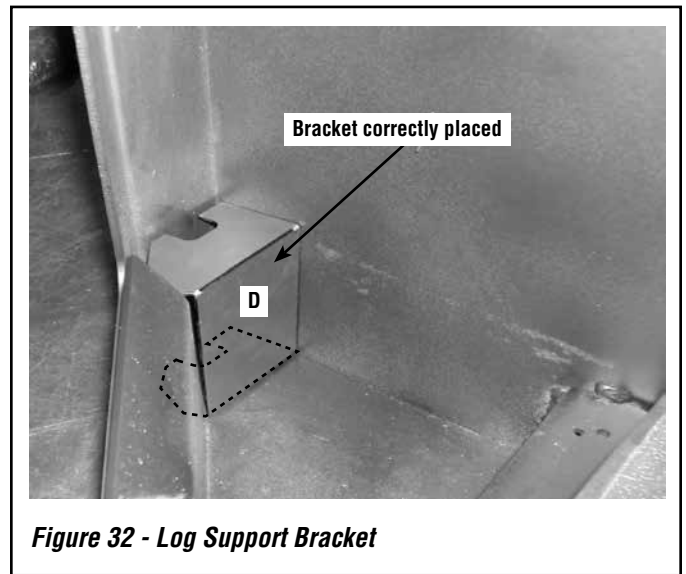
Cat. No.	Model	Description
H 5142	P40LOG	Winslow Log Set



**Figure 30 - Kit contents**



**Figure 31 - Log Support Brackets**



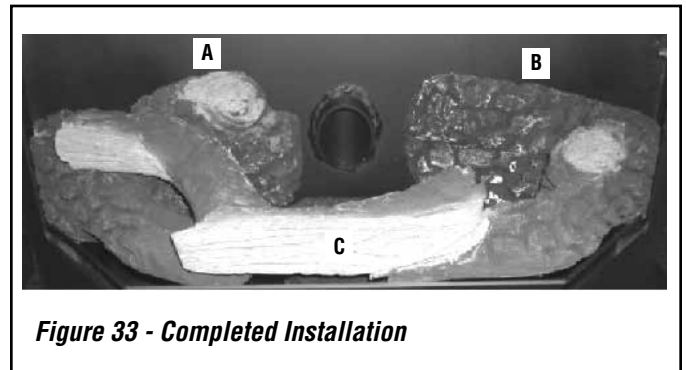
**Figure 32 - Log Support Bracket**

**Tools Required**  
None

**CAUTION:** The logs can be damaged if they are not handled with care!

**To Install the log set:**

1. Remove the two log support brackets (D) from the box and bend the ends of the brackets 90 degrees at the bend lines. See *Figures 31 and 32*.
2. One bracket goes into the left corner and the other into the right corner of the firebox. Rotate the brackets (D) so they are placed as shown in *Figure 32*. The bracket fits between the back of the firebox and the air wash at the front of the insert.
3. Remove the ceramic logs from the box and carefully unwrap them. Position each back log (A and B in *Figure 33*) in their proper place, one on each side against the back of the firebox.
4. The front log should face the front of the firebox with the wood grain showing. It should rest on the other two back logs. See *Figure 33* for assembled log set.



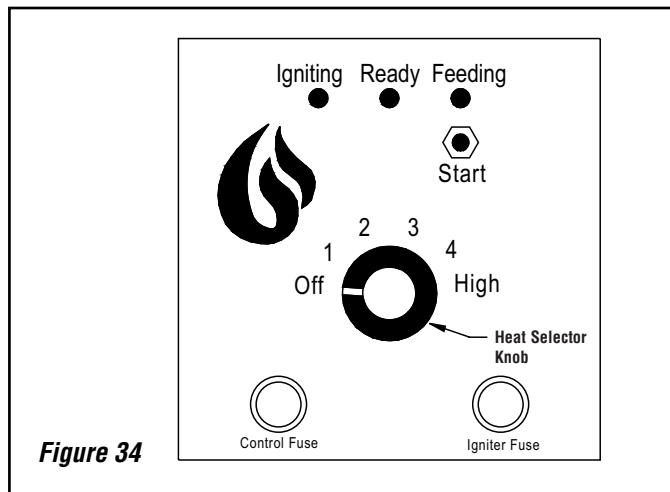
**Figure 33 - Completed Installation**

## OPERATION

### Control Board

The control board regulates all functions of the insert. The following is a list of the board's components:

- **Feeding light** - lights up when the auger is feeding pellets into the Burn-Pot.
- **Ready Light** - lights up when insert is ready to operate.
- **Igniting Light** - lights up when the insert is in the ignition sequence.
- **Start Button** - is pushed to start the ignition sequence after the heat selector knob is turned from off.
- **Heat Selector Knob** - is turned to off to shut the insert off or turned to a setting from 1 to high to regulate the burn rate.
- **Igniter Fuse** - six amp fuse to protect igniter heating element.
- **Control Fuse** - three amp fuse to protect the control board.



### Filling the Hopper

The hopper can be accessed by lifting the lid at the rear of the top of the insert. The hopper will hold 60 pounds of pellets. Remove any contents from the hopper and fill with pellets.

#### To fill the hopper when stove is off:

1. Lift the hopper lid to its full opened position.
2. Fill the hopper with pellets.
3. Check to make sure there are no remaining pellets on top of the hopper that may prevent the hopper lid from fully closing.
4. Close Hopper lid.

#### To fill the hopper when stove is in operation:

1. Repeat steps 1 thru 4 above.
2. When finished, check the burn pot to assure there is substantial combustion taking place to light the pellets once the pellets start feeding after refueling.
3. If combustion is not present in the burn pot then the unit will need to be restarted. This can be done by turning the heat setting dial to off and back to the desired heat setting 1 thru 5. You will then have to press the start button to initiate ignition.

**CAUTION: Failure to confirm pellets in the Burn Pot remain burning after re-fueling may result in smoke escaping from the unit. Smoke escaping the unit can also be a result of ignition of the unit with excessive pellets located inside the burn pot.**

### Lighting

1. Turn the heat selector knob (see **Figure 34**) to the heat level desired - 1 through high - and the ready light will turn green.
2. Push the start button and the ignite and feeding lights will come on and the lighting sequence will begin. For about the next 15 minutes the insert will feed pellets cyclically into the Burn-Pot, the combustion fan will come on, and the igniter will heat up. During this sequence, some smoke in the firebox is to be expected. After the igniting sequence is complete, the insert will begin burning at the level indicated by the heat selector knob.

**NOTE:** Upon the insert's initial light up, or if the insert has previously run out of pellets, the auger feed tube may not contain a sufficient number of pellets to allow the insert to continue burning after the ignition sequence. It may be necessary to push the start button a second time to run the start sequence again. It is important to always empty (when cool) the Burn-Pot of pellets before pushing the start button a second time.

## WARNING

- **Never empty pellets from the Burn-Pot into the hopper. Pellets that may appear to be cool may retain enough heat to ignite other pellets resulting in smoke or fire damage.**
- **DO NOT OVERFIRE THIS STOVE. This may cause serious damage to your stove and void your warranty. It also may create a fire hazard in your home. IF ANY EXTERNAL PART OF THE UNIT BEGINS TO GLOW, YOU ARE OVERFIRING. Immediately slide the knob to the "OFF" position on the control board.**

### Manual Operation

After the insert is burning (see Lighting on this page), the heat selector knob controls the pellet burn rate and the insert's heat output. Turning the knob to setting 1 allows the insert to burn about 1.8 pounds of pellets per hour - about 8,500 BTUs per hour. Turning the knob to high allows the insert to burn 4.7 pounds of pellets per hour - about 39,000 BTUs per hour. Once set, the insert will continue to burn at this rate until shut off.

### Thermostat Operation

This insert will operate with a low voltage thermostat. See **Page 14** for instructions on installing the thermostat. Once installed, the thermostat will control the operation of the insert. Important: When connected to a thermostat, it is necessary to push the ignite button for the initial burn, when the electrical flow to the insert is interrupted, if the selector knob is turned to off (and then back on), or if the insert runs out of pellets and therefore shuts off. After the initial ignition sequence, when the thermostat calls for heat (the room temperature is less than the temperature set on the thermostat) and the heat selector knob is not in the off position, the insert will burn at the heat selector knob setting. The higher the setting, the quicker the room will heat up. Once the thermostat no longer calls for heat (the room is up to the desired temperature), the insert will continue to burn for one additional hour at the lowest setting. If the thermostat does not call for heat again during that hour, the insert will shut off. During that hour, if the thermostat calls for heat again, the insert will again burn at the heat selector knob setting until the thermostat no longer calls for heat. If the insert shuts off after that hour it will relight when the thermostat calls for heat.

## Shut Down

**Normal** - To turn the insert off, turn the heat selector knob to off. The fans will continue to operate until the control board completes the shut down cycle.

**Power Outage** - If the insert loses electrical power for less than 10 seconds it will continue to operate. If the power loss is greater than 10 seconds, the insert will go into the ignition sequence and normal operation when the power is restored. If the insert is connected to a thermostat, the insert will not start the ignition sequence until the thermostat calls for heat.

## Paint Curing

This insert has been painted with a high temperature metallic paint. It leaves the factory dry to the touch, but completes the curing process as the insert is used. The paint will cure during the first few times the insert is burned. Also some parts of the appliance may be lightly coated with machining oil. Ventilate the house during these first firings as the paint and oil give off carbon dioxide and unpleasant odors. It is recommended that persons sensitive to an imbalance in the indoor air quality avoid the insert during the curing process.

## Convection Blower Operation

Your Winslow™ PI40GL insert comes equipped with a temperature activated convection blower that extracts heat from the insert. After the insert warms up, a heat activated switch will turn the fan on. The speed of the fan varies with the burn rate of the insert. The fan will continue to extract heat after the insert shuts off and until it is cooled down.

## Operating Sounds

As the Winslow PI40GL insert is burning, a number of normal operational sounds may be heard. Pellets can be heard sliding down the auger tube and into the Burn-Pot. Also, the motor powering the auger can be heard as the control board calls for pellets. Occasionally a loud noise can be heard as the auger cuts a pellet in half. When the blowers come on, the sound of rushing air may be heard. The lower the burn rate the slower the fan operates. Hourly, the combustion fan will blow at a high speed to clean ash from the Burn-Pot.

## Pellet Fuel

Pellet fuel is made from sawdust and scrap wood from many different species of wood. Pellets are either 1/4" or 5/16" in diameter and vary in length (see *Fuel Specifications* on **Page 7**). The Winslow PI40GL insert will burn either diameter pellets. Pellets made from hardwoods contain more ash than those made from softwoods. Minerals from ash and sand in the pellets form clinkers under the extreme temperatures in the Burn-Pot. Try burning various brands of pellets until you find one that burns with minimum ash and clinkers.

Once you find a pellet brand that burns well, continue using this brand. High ash fuel increases the frequency of insert cleaning. Fuel with an excessive moisture content may jam the auger assembly.

## Corn Fuel

Shelled corn can be burned in the Winslow PI40GL insert when it is mixed with wood pellet fuel (see *Fuel Specifications* on **Page 7**). The mixture can contain a maximum of 50 percent corn. Burning corn may create more ash than wood pellets and may necessitate the need to clean the Burn-Pot and glass more frequently.

## CAUTIONS

**INSTALLATION AND REPAIR SHOULD ONLY BE PERFORMED BY A QUALIFIED SERVICE TECHNICIAN. DO NOT ATTEMPT TO SERVICE THE APPLIANCE YOURSELF.**

**Avoid overfiring the insert - do not hand feed pellets to the appliance.**

**Never use gasoline, gasoline-type lantern fuel, kerosene, charcoal lighter fluid, or similar liquids to start or fresh up a fire in this heater. Keep all such liquids well away from the heater while it is in use.**

**For your safety, do not install or operate your Winslow PI40GL insert without first reading and understanding this manual. Any installation or operation of the appliance deviating from that which is stated in this instruction manual WILL void the warranty and may be hazardous.**

**Due to high temperatures, the insert should be located out of traffic areas and away from furniture and draperies. Children and adults should be alerted to the hazards of high surface temperature and should stay away to avoid burns or clothing ignition. Young children should be carefully supervised when they are in the same room as the Winslow PI40GL insert. Clothing or any other flammable material should not be placed on or near the insert. Any grill, panel, or glass removed for service MUST be replaced prior to operating the insert.**

**Do not operate appliance with the glass front removed, cracked, or broken. Replacement of the glass should be done by a qualified service technician.**

**IHP, its employees, or any of its representatives assume no responsibility for any damages caused by an inoperable, inadequate, or unsafe condition as a result of any improper operation, service, or installation procedures, whether direct or indirect.**

**The appliance, when installed, must be electrically grounded in accordance with local codes or, in the absence of local codes, with the National Electrical Code, ANSI/NFPA 70-latest edition.**

## CLEANING AND MAINTENANCE

### IMPORTANT CAUTIONS:

- **UNPLUG POWER CORD AND ENSURE APPLIANCE IS COLD BEFORE PERFORMING ANY MAINTENANCE WORK.**
- **Some brands of pellets produce more ash and clinkers than others. Therefore the frequency of performing the following cleaning procedures depends to a great degree on the quality of the pellets burned.**
- **Not cleaning this unit will cause it to burn poorly and will void your warranty for this appliance.**
- **When removing ash build-up, use an approved ash vacuum only. A cleaning brush can be used to loosen any ash build-up before vacuuming. DO NOT USE A STANDARD HOUSEHOLD VACUUM OR "SHOP VAC" AS THE FILTERS WILL LEAK THE FINE PARTICLES OF ASH INTO THE HOME.**
- **THIS WOOD HEATER NEEDS PERIODIC INSPECTION AND REPAIR FOR PROPER OPERATION. IT IS AGAINST FEDERAL REGULATIONS TO OPERATE THIS WOOD HEATER IN A MANNER INCONSISTENT WITH OPERATING INSTRUCTIONS IN THIS MANUAL.**

### Required Cleaning Schedule After Number Of Bags Burned:

Burn-Pot = 10 bags  
Flue passageways = 50 bags  
Flue Fan = 100 bags  
Blower = 100 bags

### NOTES:

- *Cleaning schedule will vary depending on quality of pellets used. Burning high ash pellets will require more frequent cleaning.*
- *Using a drop cloth is recommended as some ash may spill onto the floor during the cleaning process*

### Burn-Pot Cleaning

(Recommended Frequency of 1 – 7 days\*)

The combustion fan comes on at high speed once an hour to blow the byproducts of combustion out of the Burn-Pot. However, the Burn-Pot should be cleaned more thoroughly after burning about 10 bags of pellets. The Burn-Pot has a number of holes in the bottom and sides that provide combustion air to the pellets. The extreme temperatures in the Burn-Pot can cause the impurities in the pellets to form ash and clinkers. When the insert is cool, open the front door and lift out the cast iron Burn-Pot. Scrape the inner bottom and sides of the pot with a screwdriver to remove all ash and clinkers from these surfaces. Make sure all the holes in the pot are open. Place the Burn-Pot in the hole from which it was removed. Make sure the high side of the pot is rotated toward the front of the insert (see **Figure 35**). Push the Burn-Pot down so surface A is tight against the steel supporting the pot. Do not substitute any other grate or pot for use in this insert.

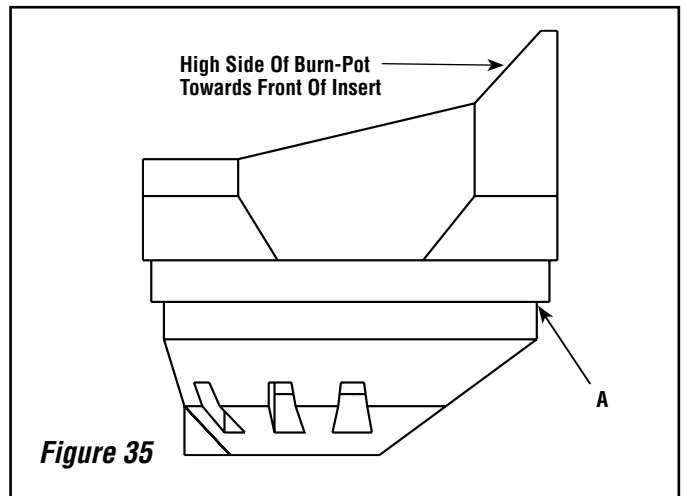


Figure 35

### Cleaning Glass

**CAUTION:** Do not open the front door when the fireplace insert is hot. To open the door, follow the first two steps listed in **Front Door Removal** on *Page 25*. Clean the glass using a soft cloth or paper towel and a household glass cleaner or gas stove window cleaner. A commercial glass cleaner designed for stoves is recommended. Do not use abrasive cleaners. A damp cloth with a small amount of ash from the firebox can also be used to clean the glass.

### Inspect Gaskets

Inspect the condition of the rope gasket around the door and window periodically, and replace if necessary. Inspect the die-cut gaskets on the access covers (B and C in **Figure 46A**) and replace if necessary.

### Cleaning the Heat Exchanger

(Recommended Frequency of 2 days to 2 weeks\*)

**CAUTION:** Do not operate the heat exchange scraper when the insert is hot. Located at the center of the Grill on the top front of the insert is a bent rod that is attached to a scraper on the heat exchange tubes. To remove ash build-up and maintain efficient heat extraction from the insert, this rod should be pulled in and out at least weekly.

### Cleaning the Flue Gas Passageways

(Recommended Frequency of Yearly\*)

Cleaning the flue gas passageways should be done at least once a year. Burning high ash pellets may require this cleaning to be done more often. Clean these passageways only when the insert and ash are cold, do not start a fire in the vacuum cleaner by vacuuming up hot ash.

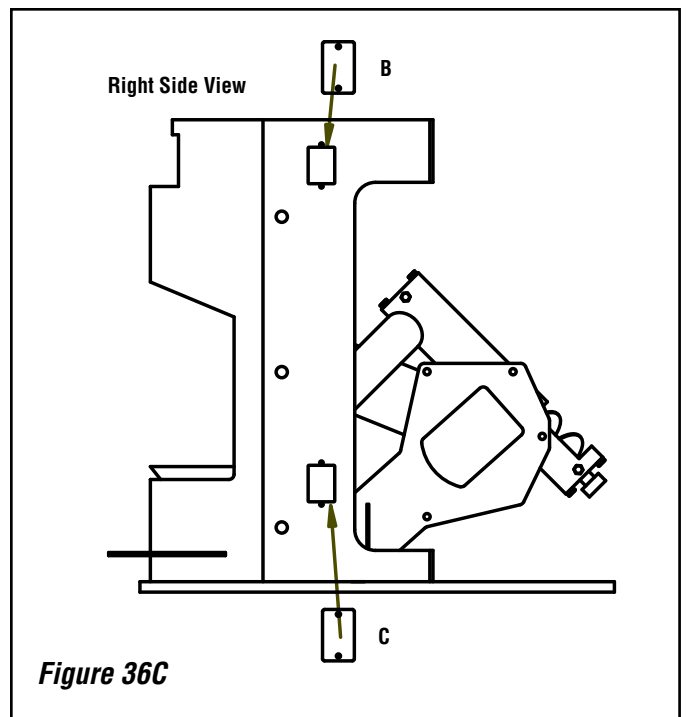
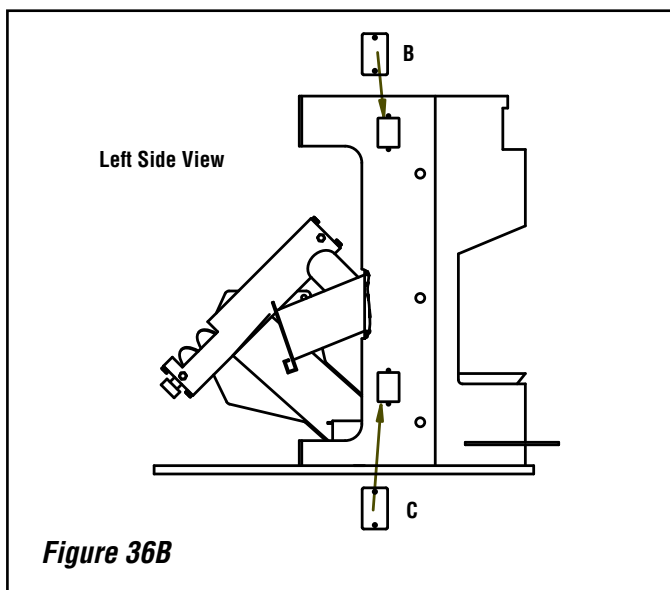
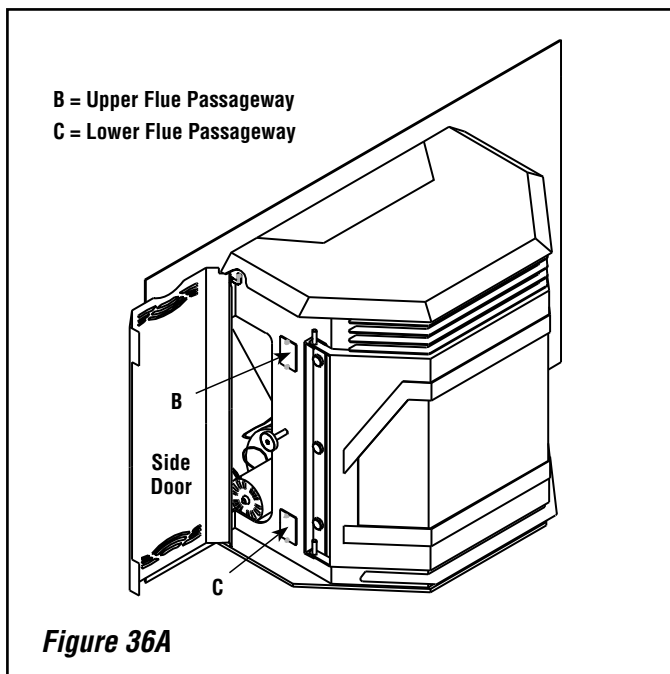
On each side of the insert there are two access covers (see B and C in **Figures 36A and 36B**) that can be removed by unscrewing the two 5/32" allen head screws. Insert a cleaning brush in the openings to loosen any ash build-up and use an approved ash vacuum cleaner to remove the loosened ash. Reinstall the covers when cleaning is complete.

*\*Burning fuel with a high ash content or an improperly adjusted damper may require more frequent cleaning and stove maintenance.*

**Flue Passageways Cleaning Procedure**  
(Recommended Frequency of Yearly\*)

1. Open both the right and left side door to locate side flue passageways (see **Figure 36A**).
2. There is one upper and one lower, 1" x 2", flue passageways on both the left and right sides (see **Figures 36A, 36B and 36C**).
3. Using a 5/32" allen remove allen head screws on each cover to access the flue passage way cavities.
4. Using an ash vac, clean out both flue passageways on both the left and right side of the insert starting at the top then going to the lower.
5. Once the flue passageways are clear of ash build-up, reinstall the four cover plates.

**⚠ WARNING**  
**DO NOT USE BRUSH ON HOT STOVE**



**Cleaning the Combustion Blower**

(Recommended Frequency of 1 year or after every 100 bags of fuel used\*)

To clean the combustion blower, unplug the insert from the power source and remove the six nuts labeled A in **Figure 37** with an 11/32" wrench. After removing these nuts, the motor with fan attached can be pulled from the fan housing. The fan blades and the fan housing can be vacuumed once the motor is removed. When reinstalling the motor, a new gasket may need to be installed between the motor and the fan housing. To complete the reinstallation, place the motor back on the fan housing and reinstall the six nuts. Make sure the motor's green ground wire is secured under one of the nuts.

**Cleaning the Vent Pipe**

(Recommended Frequency of Yearly\*)

**Soot and Flyash: Formation and Need for Removal**

The products of combustion will contain small particles of flyash. The flyash will collect in the exhaust venting system and restrict the flow of the flue gases. Incomplete combustion, such as occurs during start-up, shutdown, or incorrect operation of the room heater will lead to some soot formation which will collect in the exhaust venting system. The exhaust venting system should be inspected at least once every year to determine if cleaning is necessary. Sweep the pipe as needed.

The insert has a clean-out box to which the flue pipe or flex pipe is attached. To access the clean-out box, remove the right side surround panel and right door. **Figure 37** shows the box in the upright position attached to the flue fan. **Figure 38** shows the box from the bottom, revealing the latch securing the box door. Pull the latch down to open the box. When the ash is cold, use a vacuum cleaner to remove the ash from the box. Refasten the box door by rotating the latch handle up.

*\*Burning fuel with a high ash content or an improperly adjusted damper may require more frequent cleaning and stove maintenance.*

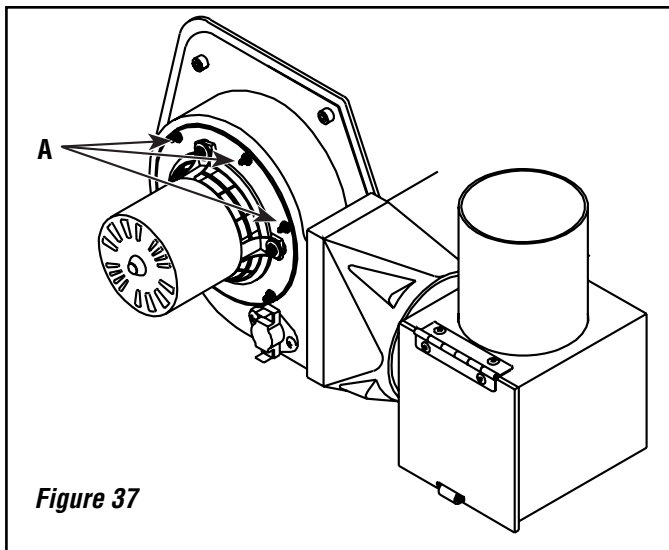


Figure 37

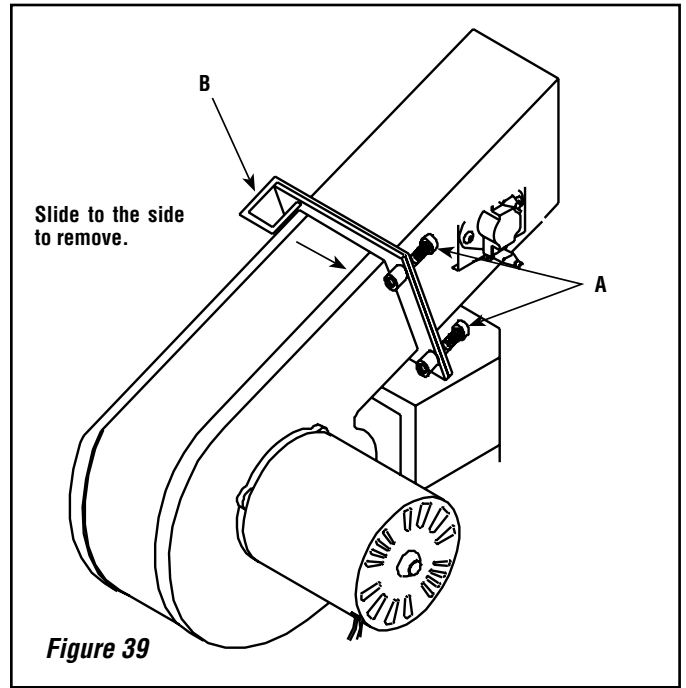


Figure 39

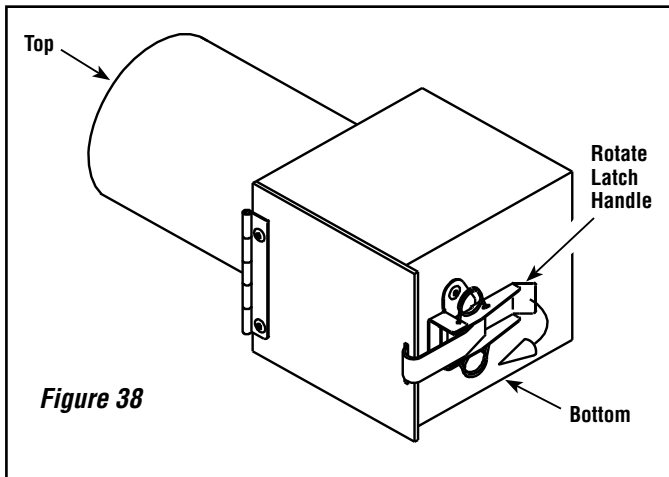


Figure 38

### Removing the Ash from the Firebox (Recommended Frequency of 2 days to 2 weeks\*)

**CAUTION:** Do not remove the ash when the appliance or ash is hot. To remove the ash, swing open the left and right side doors and open the front door. Vacuum or scoop out the ash on the bottom and side of the firebox.

**CAUTION:** Disposal of Ashes - Ashes should be placed in a steel container with a tight fitting lid and moved outdoors immediately. The closed container should be placed on a non-combustible floor or the ground, well away from all combustibles materials, pending final disposal. If the ashes are disposed of by burial in soil or otherwise locally dispersed, they should be retained in the closed container until all cinders have been thoroughly cooled.

### Cleaning the Convection Blower

To clean the convection blower, remove the left side door (see the following page). Disconnect the insert power cord from the electrical outlet. Loosen the two screws (A in **Figure 39**) securing the blower to the blower duct. Slide the blower toward the outside of the insert - disengaging it from the blower duct. A vacuum can be used to remove any dust accumulation on the blower's blades or inside the blower duct. Caution should be used not to damage the blower's blades during cleaning. Before reinstalling, vacuum out the blower housing and flue passageway leading to the combustion blower. To reinstall the blower, slide the blower back into the retaining lip B and retighten screws A.

### Proof of Fire Switch (Recommended Frequency of 1 year or after every 100 bags of fuel used\*)

This switch needs to be removed and cleaned after every 100 bags of fuel burned.

#### Cleaning Procedure:

1. **UNPLUG STOVE!**
2. Locate the switch on the combustion blower (see **Figure 44**).
3. Using a flat-head screwdriver, remove the 2 screws which secure the switch to the blower housing.
4. Using a dry cloth, wipe off any flyash build-up on the sensor portion of the switch.
5. Reinstall switch. Ensure wires are properly connected to the switch and the connectors are not making contact with the blower housing. Close side panel.

**NOTE:** Failure to clean the proof of fire switch when needed may result in nuisance shut-downs. When heavy ash, creosote or soot are built up on the proof of fire switch, it may require cleaning with a medium abrasive pad or sheet. These heavy build ups insulate the heat sensing area of the switch and keep the switch from functioning as intended.

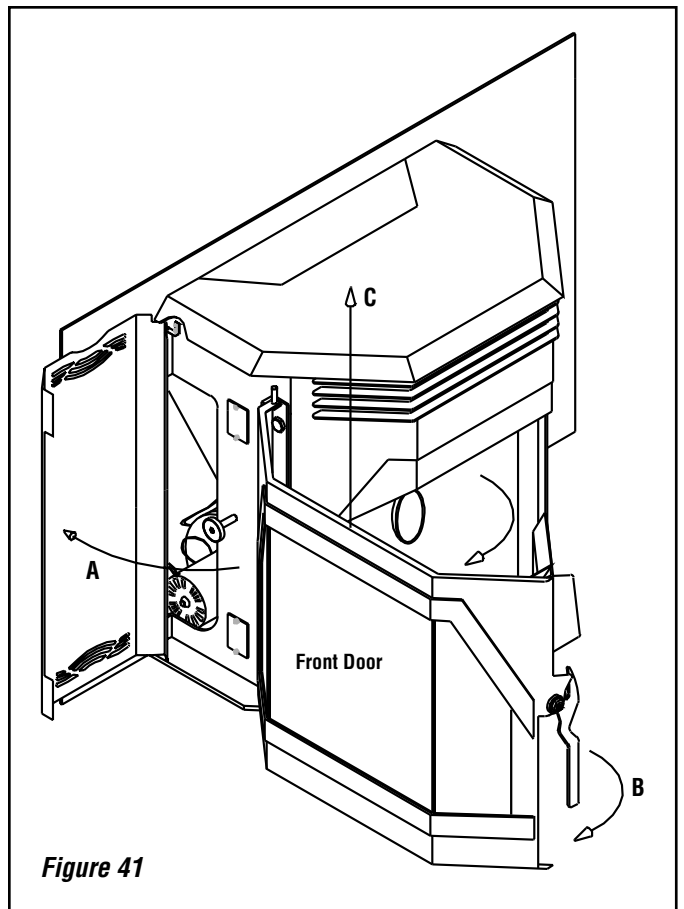
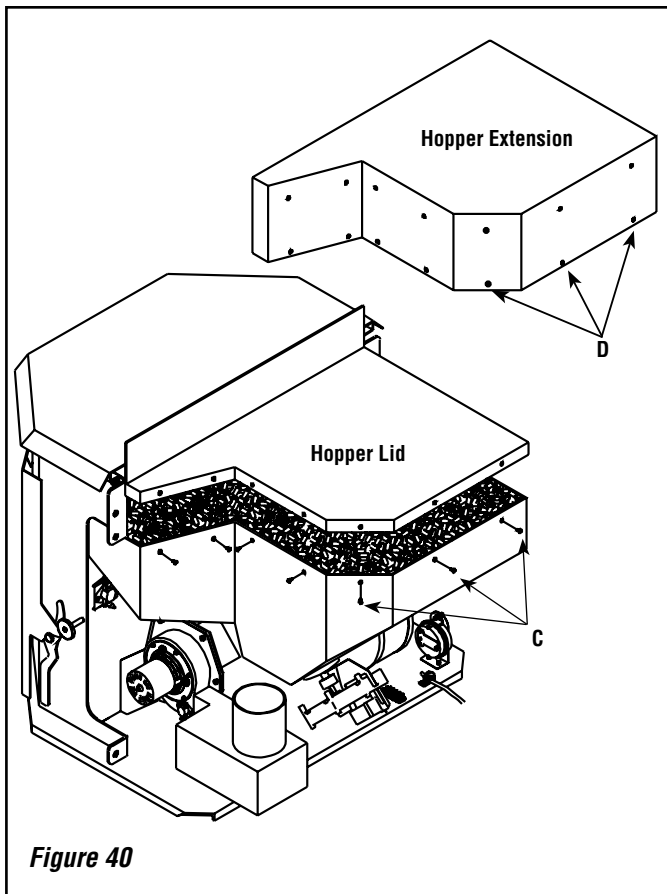
### Adjustable Hopper

The Winslow™ PI40GL insert is shipped with the 55 pound hopper. With the larger hopper installed, that part of the insert that slides into the fireplace is 22-1/2" (572 mm) high. For installations in smaller fireboxes, the hopper is adjustable down to a height of 19" (483 mm). To adjust the hopper to its lowest height of 19" (483 mm), remove screws C around the hopper lid and lift the lid off. Next, remove the screws D around the hopper extension and remove the extension. Place the lid back over the hopper and reinstall the screws securing the lid.

To adjust the hopper height between the maximum and the minimum, remove screws D and slide the hopper extension (with lid attached) down around the hopper bottom to the height desired. The extension can be lowered at most 2-1/2" (64 mm). Reinstall the self-tapping screws through the holes in the extension (creating new holes in the hopper bottom).

\*Burning fuel with a high ash content or an improperly adjusted damper may require more frequent cleaning and stove maintenance.





### Front Door Opening and Removal

**CAUTION: Do not open the front door when the insert is hot.**

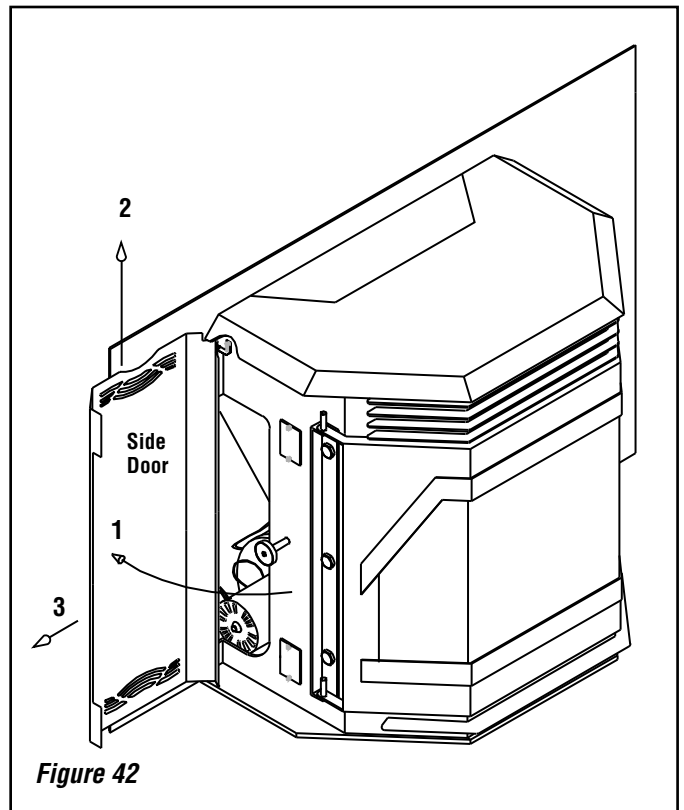
To remove the door, swing the left and right side doors A open. Pull the front door handle B to the front and swing the front door open. Lift the front door up and off the hinges as shown in **Figure 41** (see C). To reinstall the door repeat the steps in reverse order.

### Side Door Removal

To remove the door,

1. Swing the door open
2. Lift the door up, and
3. Pull the bottom of the door out and down - pulling the top hinge pin out of the retaining hole in the top hinge bracket.

To reinstall the door, slide the pin on the top of the door up and into the hole in the upper hinge bracket. Slide the pin on the bottom of the door into the hole in the pedestal base and rotate the door closed.



## COMPONENT INFORMATION

The following is a list of components and their functions.

**Igniter** - The Winslow™ PI40GL insert comes equipped with an automatic igniter for lighting the fuel when the insert is in the lighting mode. The igniter superheats air that is pulled through the Burn-Pot by the combustion blower to light the fuel. The igniter remains energized for the first seven minutes of the lighting sequence.

**Vacuum Switch** - The Winslow PI40GL insert has a vacuum switch located behind the left door, fastened to the base (see A in **Figure 45**). If there is a leak in the firebox created by the front door being ajar or a blocked flue, the vacuum switch will sense it and cause the insert to go into a shutdown mode.

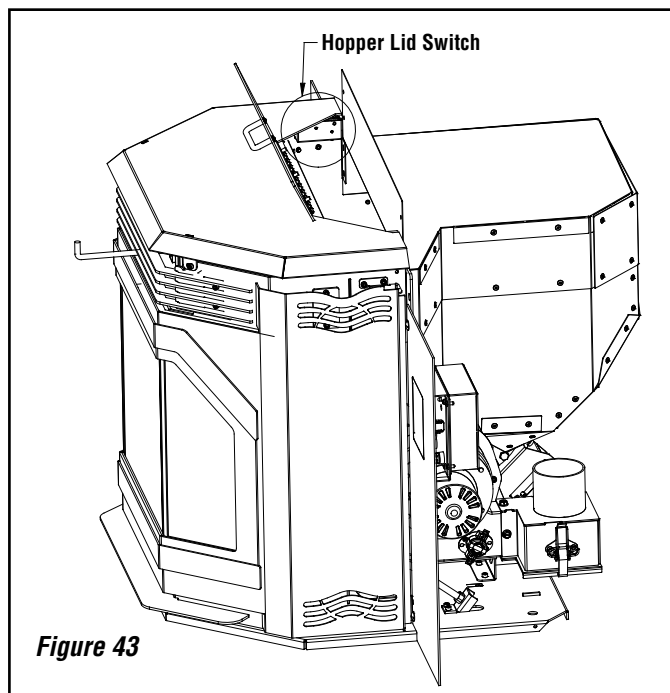
**Auger and Auger Motor** - The 1.25 RPM auger motor (B in **Figure 22**) turns the auger lifting pellets up the auger tube. The pellets are then dropped down a tube and into the firepot. The auger is controlled by the control board.

**Over Temperature Snap Switch** - (Opens at 225° F) This switch is installed on the convection blower (see C in **Figure 45**) and shuts the insert down if it senses excessive temperatures. This snap switch has a reset button on it and will not allow the insert to start up until the reset button has been pushed.

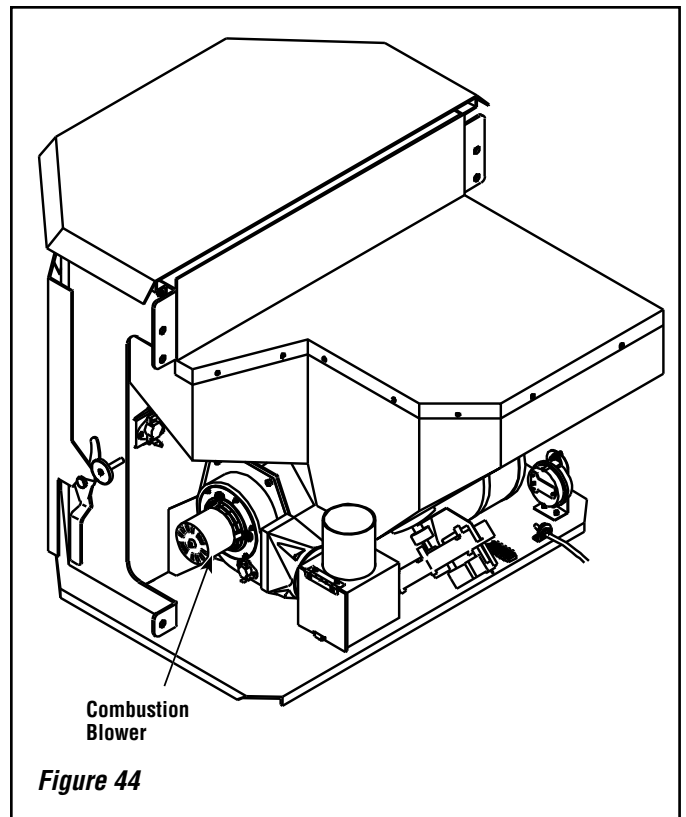
**Proof of Fire Snap Switch** - (Closes at 140° F) This switch is installed on the combustion blower and shuts the insert down if it does not detect fire in the Burn-Pot.

**Convection Blower Snap Switch** - (Closes at 120° F) This switch is installed on the right rear of the firebox and turns the convection blower on when the insert gets up to temperature.

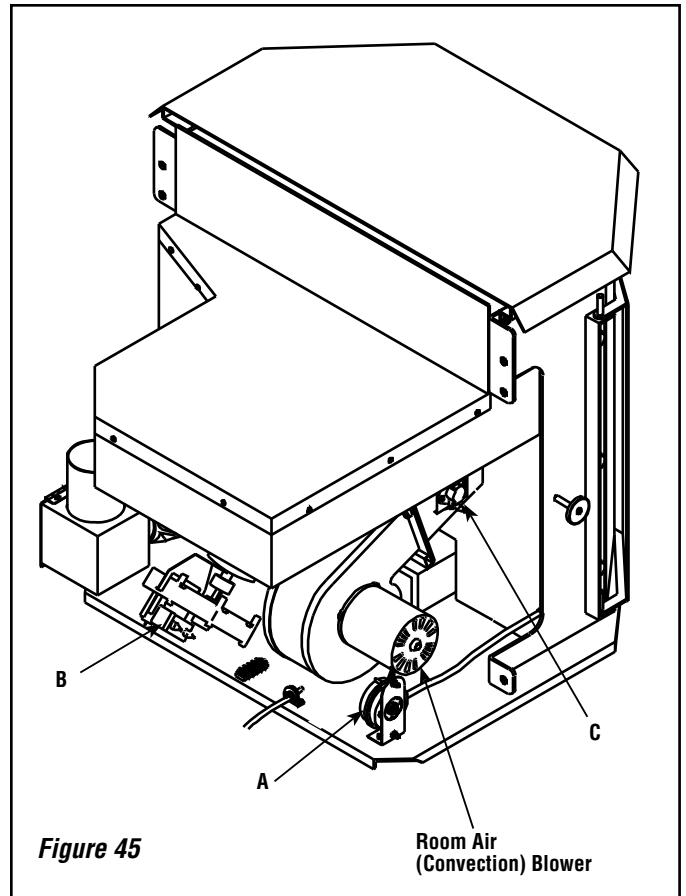
**Hopper Lid Switch** - It is located as shown in **Figure 43**, on the back left side of the hopper (on the inside of the hopper). It detects whether the hopper lid is open and will turn off the auger motor if the hopper lid is not properly closed. When opening the hopper when refueling, do not allow the hopper lid to remain open too long or the fire may extinguish. **NEVER DISCONNECT OR BYPASS THIS SWITCH FOR ANY REASON.**



**Figure 43**



**Figure 44**



**Figure 45**

Room Air  
(Convection) Blower

## Draft Adjuster - Adjustment Procedure

The Winslow™ PI40GL insert has a draft adjuster located at the right side of the insert directly in front of the combustion blower. Should the insert installation require long runs of vent pipe, a situation may be created where excessive combustion air is flowing through the firebox and causing the fuel to burn faster than it can be delivered to the Burn-Pot. Should this happen, the draft can be slowed down by the adjuster. The insert is shipped with the adjuster in the fully open position. To slow the draft down, loosen the 5/32" allen head screw (A in **Figure 46**) and move the adjuster handle toward the center of the insert. Retighten the screw when the desired adjustment is reached.

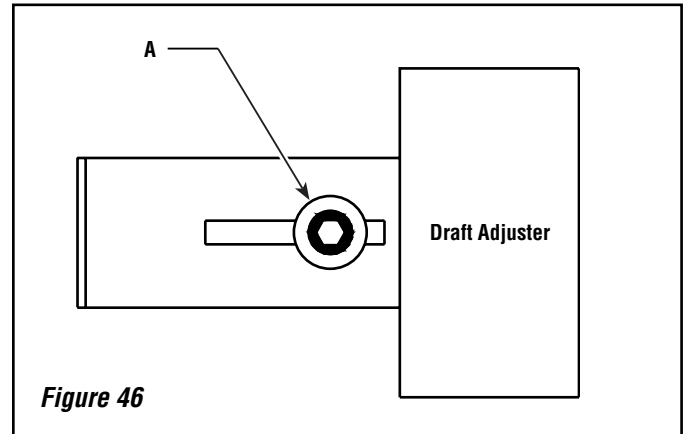
## Draft Adjuster

The draft adjuster controls the amount of combustion air that is delivered to the firebox (see **Figure 46**).

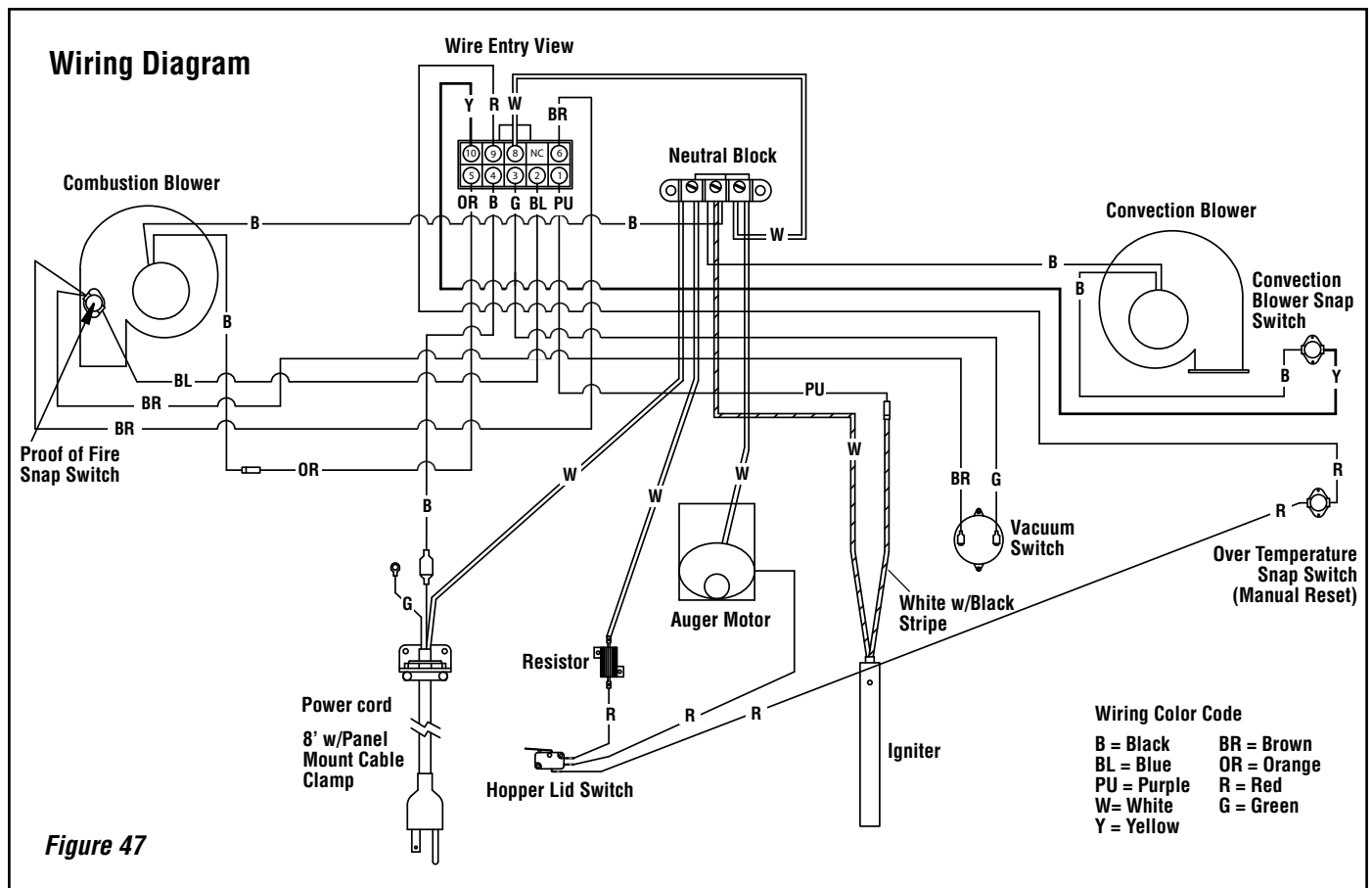
It will be necessary to monitor the appearance of the flame during the first 4-8 bags of pellets. If the flame is smoky red or orange with evidence of soot at the top of the flame, the draft adjuster will need to be adjusted to deliver more combustion air. If the flame is "short" at the higher burn rates, and appears to burn the pellets out of the pot faster than they can be resupplied, or there are significant variations of flame height within a single burn setting, the draft adjuster may need to be adjusted to deliver less combustion air.

After the draft adjuster is adjusted, re-evaluate the appearance of the flame. It may be necessary to continue adjusting it in increments until proper combustion is achieved (the flame should become a brighter yellow and begin to "dance").

Once the draft adjuster has been properly set, and if the routine maintenance is performed as needed, the draft adjuster should not require readjustment unless you are changing from a premium grade pellet to a standard or high ash pellet, in which case the draft adjuster may need to be moved outward from center of the stove to help prevent the accumulation of ash or clinkers in the Burn-Pot.



**Figure 46**



**Figure 47**

## DIAGNOSTIC CODES

If the insert operates abnormally, the ready light on the control board will signal the nature of the abnormal operation. The following is a list of possible signals or codes:

**Ready light is constant red**

**Ready light flashes red 1 short and 1 long blink**

**Ready light flashes red 2 short blinks**

**Ready light flashes red 2 long blinks**

**Ignition Failure**

**Vacuum Switch Open**

**Proof of Fire Snap Switch Open**

**Over Temperature Snap Switch Open**

### Troubleshooting

<b>Ignition Failure - Code - Ready light is constant red and ignite light flashes two short blinks</b>	
<b>Possible Problem</b>	<b>Solution</b>
Hopper is out of pellets	Fill the hopper with pellets
Auger tube was not full of pellets when start button was pushed	When cool, empty pellets in Burn-Pot and push start button again
Burn-Pot dirty - holes plugged	Clean the Burn-Pot
Igniter not functioning	Replace the igniter
Igniter fuse blown	Replace 6 amp fuse located on front of the control board

<b>Control Board has no Power - When selector knob is turned no lights light up</b>	
<b>Possible Problem</b>	<b>Solution</b>
Power cord is not plugged in	Plug in power cord
Board fuse blown	Replace 3 amp fuse located on front of control board
Wall outlet not energized	Check circuit breaker panel
Board broken, damaged, or defective	Replace the control board

<b>Vacuum Switch Shuts Insert Down - Code - Ready light flashes red 1 short and 1 long blink</b>	
<b>Possible Problem</b>	<b>Solution</b>
Front door is not sealing	Latch or adjust the front door or replace door gasket
Flue gas passageways restricted	Clean the passageways (see <b>Page 22</b> )
Vent pipe restricted	Clean the vent pipe (see <b>Page 23</b> )
Vacuum hose plugged	Clean or replace the vacuum hose
Vacuum switch defective	Replace the vacuum switch

<b>Proof of Fire Snap Switch Shuts Insert Down - Code - Ready light flashes red 2 short blinks</b>	
<b>Possible Problem</b>	<b>Solution</b>
Hopper is out of pellets	Fill the hopper with pellets
Auger tube was not full of pellets when start button was pushed	When cool, empty pellets in Burn-Pot and push start button again
Snap switch* defective	Replace the snap switch
"Proof of fire" switch is dirty	Clean switch per instructions on <b>Page 24</b>

<b>Over Temperature Snap Switch Shuts Insert Down - Code - Ready light flashes red 2 long blinks</b>	
<b>Possible Problem</b>	<b>Solution</b>
Convection blower not running	Blower dirty, blower snap switch bad, or blower broken
Flue passageways or vent restricted	Clean passageways or vent pipe (see <b>Pages 22 and 23</b> )
Snap switch* defective	Replace the snap switch*
* NOTE: The snap switch has a reset button that must be pushed before insert will function (see <b>Page 26</b> ).	

<b>Orange Sooty Flames - Glass turns Black</b>	
<b>Possible Problem</b>	<b>Solution</b>
Burn-Pot is dirty	Clean the Burn-Pot
Vent pipe restricted	Clean the vent pipe
Flue gas passageways restricted	Clean the passageways
Combustion blower dirty	Clean the combustion blower
Burning improper fuel	Burn only wood pellet fuel or corn fuel that meets the fuel specifications outlined on <b>Page 7</b>

<b>Pellets not Feeding</b>	
<b>Possible Problem</b>	<b>Solution</b>
Hopper empty	Fill the hopper
Auger jammed	Call service technician
Flue gas passageways restricted	Call service technician
Auger motor not operating	Call service technician
Hopper lid is open	Close Hopper Lid
Hopper lid switch is faulty	Replace hopper lid switch if determined to be faulty

**REPLACEMENT PARTS - WINSLOW™ PI40GL**

**Contact an IHP dealer to obtain any of these parts. Never use substitute materials. Use of non-approved parts can result in poor performance and safety hazards.**

**Winslow™ PI40GL insert**

<u>Cat. No.</u>	<u>Description</u>		
H6006	Adjustable Latch Pin	79040	Door w/glass (No Trim)
H3111	Ash Clean Out Cover, 2 Per Insert	H6021	Flue Clean Out Box
H5886	Auger Motor	H5988	Hardware Package
H5921	Auger w/lower Bearing	H5911	Hopper Door Wire
H5875	Blower Snap Switch	79021	Igniter Fuse 6 Amp, 5 Pack
H5856	Cast Burn-Pot	H6005	Igniter W/hose Clamp
H5899	Clean-out Cover Gasket	H5891	Overtemp Switch
H6019	Combustion Blower	H6004	Power Cord
H5900	Combustion Gasket Housing To Insert	H5887	Proof Of Fire Switch
H5903	Combustion Gasket Motor To Housing	H3128	Right Flange W/controls Access Door 40"
H5917	Control Board Access Latch	H6020	Right Flange W/controls Access Door 48"
H5978	Control Board	H5898	Vacuum Line 12" Piece
79020	Control Board Fuse 3 Amp, 5 Pack	H5889	Vacuum Switch
H5888	Convection Blower	H5976	Wiring Harness
H5902	Convection Blower Gasket	H8278	Hopper Switch w/ Bracket
H5984	Decorative Nickel Bars / Upper Body	H8279	Hopper Switch Wires w/ Resister
H3112	Door Handle Assembly	H8281	Outer Top for Hopper Lid Switch

## ACCESSORIES

Cat. No.	Model	Description
F4348	PI40GL	Winslow GL Pellet Fireplace Insert

### Surround Panel Kits (required - sold separately) (ref. Form # 775279M)

Cat. No.	Model	Description
79004	PI40-FPK2941	29" Ht. x 41" Wd. Black Trim
79005	PI40-FPK2948	29" Ht. x 48" Wd. Black Trim
79006	PI40-FPK3341	33" Ht. x 41" Wd. Black Trim
79007	PI40-FPK3348	33" Ht. x 48" Wd. Black Trim
H7232	PI40-32ZCFK	29" Ht. x 41" Wd. 3" Deep *

\* The three inch deep surround assembly positions the Winslow™ pellet insert three inches forward onto the hearth which allows the insert to fit into a fireplace with a narrower front width (32" minimum). Using the other standard surround sizes require a minimum front fireplace width of 36".

### Pellet Heat Kits

Cat. No.	Model	Description
79024	PI40-HK	Pellet Heat Kit (ref. Form # 506033-01)
79026	PI40-HK30411	30-5/8" Ht. x 41" Wd. Surround Panels
79027	PI40-HK3048F	30-5/8" Ht. x 48" Wd. Surround Panels
79028	PI40-HK3441F41	34-5/8" Ht. x 41" Wd. Surround Panels
79029	PI40-HK3448F	34-5/8" Ht. x 48" Wd. Surround Panels
75251	GFHKET-B	Extended Side Trim Kit, Black (775208M)
75063	GFHKET-N	Extended Side Trim Kit, Nickel (775208M)

### Surround Trim (ref. Form # 775279M)

Cat. No.	Model	Description
H5143	GFT2941-B	Trim/Black 29" Ht. x 41" Wd.
H5145	GFT2948-B	Trim/Black 29" Ht. x 48" Wd.
H5144	GFT3341-B	Trim/Black 33" Ht. x 41" Wd.
H5146	GFT3348-B	Trim/Black 33" Ht. x 48" Wd.
75037	GFT2941-N	Trim/Nickel 29" Ht. x 41" Wd.
75039	GFT2948-N	Trim/Nickel 29" Ht. x 48" Wd.
75041	GFT3341-N	Trim/Nickel 33" Ht. x 41" Wd.
75043	GFT3348-N	Trim/Nickel 33" Ht. x 48" Wd.

### Zero Clearance Kit

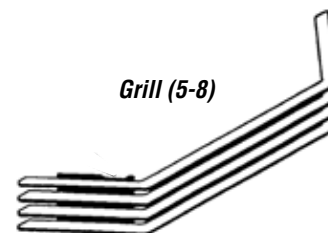
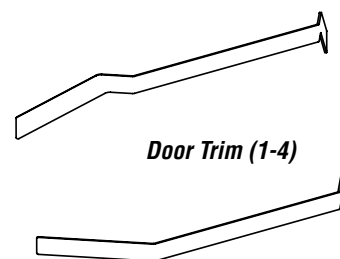
Cat. No.	Model	Description
79025	PI40-ZCK	Zero Clearance Kit (ref. Form # 775277M)
H5147	PI10-ZCHPA	Rear Vent adaptor (Required for Horizontal Vent)

### Door Trim (required - sold separately) (ref. Form # 775274M)

Item No.	Cat. No.	Model	Description
1	79038	P40DT-B	Black
2	79037	P40DT-N	Nickel
3	79035	P40DT-BRN	Brushed Nickel
4	79036	P40DT-BLN	Black Nickel

### Grill Finish (ref. Form # 775273M)

Item No.	Cat. No.	Model	Description
5	79000	P40G-B	Black
6	79002	P40G-N	Nickel
7	79022	P40G-BN	Brushed Nickel
8	79039	P40G-BLN	Black Nickel



### Common Accessories

Item	Cat. No.	Model	Description
-----	79003	PI40FS	Front Support 41-48" Width/0-8" Height (ref. Form # 775296M)
11	H5142	P40LOG	Log Set (ref. Form # 775275M)
12	79030	P40BRICK	Standard Brick Panel (ref. Form # 775276M)
13a	H8860	RC-S-1	Remote, Two Button, Timer, On/Off or Timer Mode
13b	H8861	RCL-S-STAT	Remote, LCD Stat, Thermostat, On/Off
13c	H8865	RC-S-TOUCH	Remote, Touch Screen, Thermostat, On/Off
13d	F2236	RCKit4001	Remote, Simple On/Off
14a	H8863	WS-S-TMR	Wall Switch, Countdown Timer
14b	H8864	WS-S-TSTAT	Wall Switch, Thermostat
15	H6907	P40DIAG40	Diagnostic Tool (ref. Form # 775293M)
16	12050004	-----	Cleaning Brush (ref. Form # 14720036)
17	H8159	TSPK-B	Touch-up Spray Paint Kit, Black

NOTE: The form numbers referenced are the part numbers of the instruction sheets included in kits.



13a



13b



13c



13d



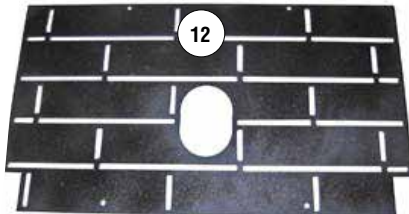
14a



14b



11



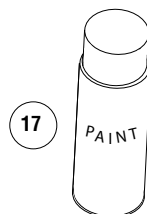
12



15



16



17



## Heat Kit Instructions

(ref. form # 506033-01)

### Kit Contents

(Refer to Figure 48)

- 1 ea. 2" lower trim piece (A)
- 1 ea. 1" Insulation Board (B)
- 2 ea. 1/2" x 10-24" screws (C)
- 1 ea. Instruction Sheet

Pellet Heat Kit		
Cat. No.	Model	Description
79024	PI40-HK	Pellet Heat Kit

### NOTES

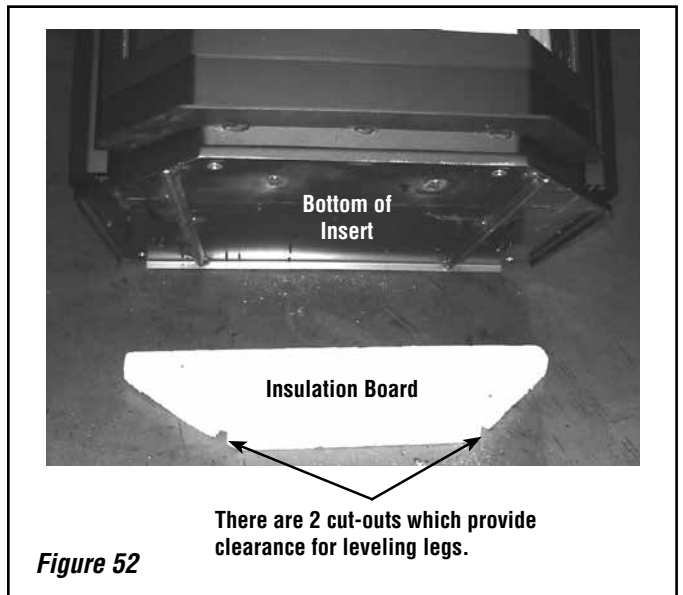
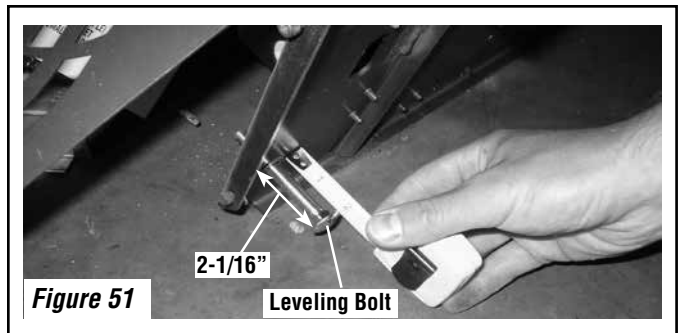
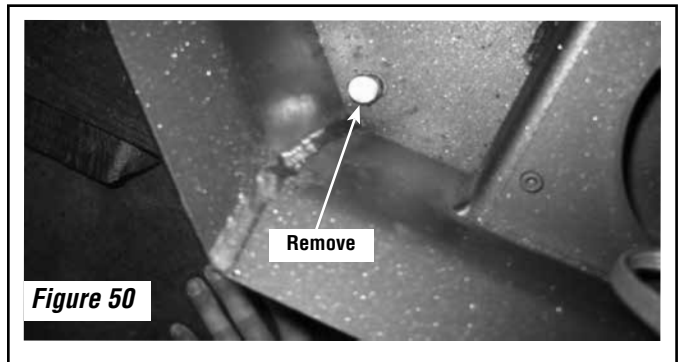
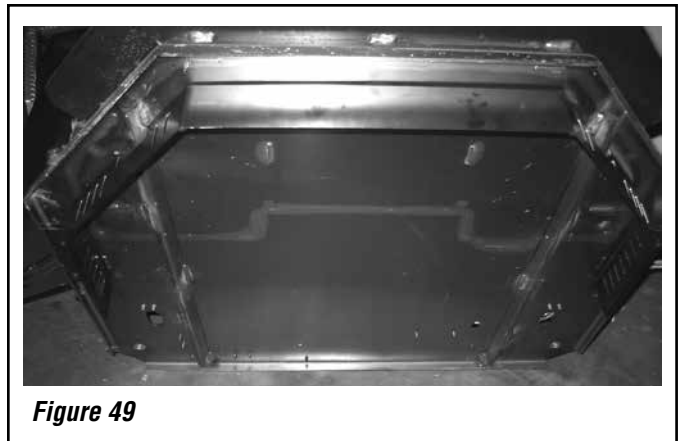
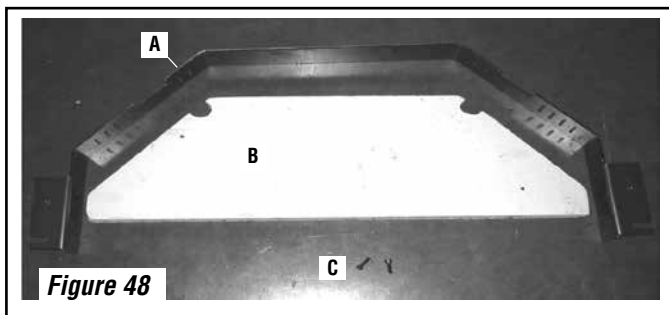
- This kit can be used in conjunction with a Zero Clearance Kit (Cat. No. 79025).
- The heat kit also requires the use of the surround panels and trim pieces listed below (sold separately).

Pellet Heat Surround and Trim Kits (sold separately)		
79026	PI40-HK30411	30-5/8" Ht. x 41" Wd. Surround Panels
79028	PI40-HK3441F41	34-5/8" Ht. x 41" Wd. Surround Panels
79029	PI40-HK3448F	34-5/8" Ht. x 48" Wd. Surround Panels
75251	GFHKET-B	Extended Side Trim Kit, Black (775208M)

### Tools Required

5/32 allen wrench

1. **Install the 2" lower trim piece** - Fasten the 2" trim piece underneath the base of the front of the insert as follows; use a 5/32" allen wrench or T-handle wrench to secure the 2 screws (see C in **Figure 48**) provided, one at the left side and one at the right side base of the insert. **NOTE:** This process will be simplified by very cautiously tilting the insert back (see **Figure 49**).
2. Install your four leveling bolts (provided with the appliance). Open the main front door and remove the two bolts in the front right and front left of the bottom of the fire box see **Figure 50**. **NOTE:** Placing a level on the insert top is recommended to ensure your insert is level. Again with the insert very cautiously tilted back, insert your four leveling bolts approximately 2-1/16" (52 mm) into the holes provided at the bottom of the insert (see **Figure 51**).
3. Set the insert on the insulation board. Now that the insert is level, place your insulation board in place where the insert will be installed and set the PI40GL insert over the insulation board so the two front leveling legs line up with the two cut-outs in the front of the insulation board (see **Figure 52**). Your PI40GL heat kit is now installed.



## Pellet Insert ZC Kit Assembly

(ref. form # 775277M)

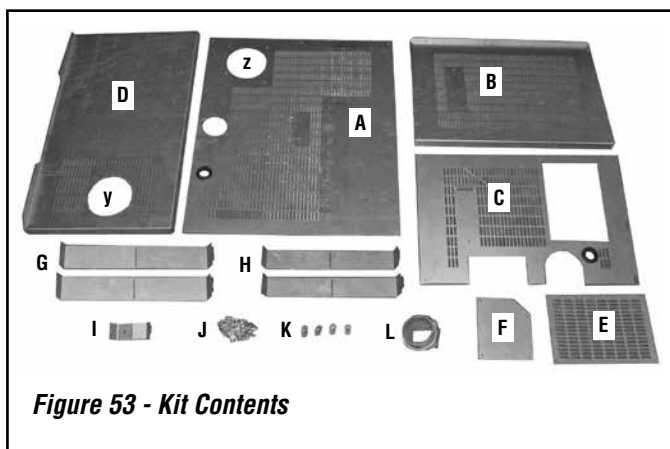
### Kit Contents

(refer to **Figure 53**)

- 1 ea. Back panel (A)
- 1 ea. Left side panel (B)
- 1 ea. Right side panel (C)
- 1 ea. Top panel (D)
- 1 ea. Access panel (E)
- 1 ea. Flue block off plate (F)
- 2 ea. Standoff brackets (G) - marked *S*
- 2 ea. Standoff brackets (H) - marked *T*
- 1 ea. Back Stand-off Bracket (I) - marked *B*
- 26 ea. 1/8" x 1/2" Screws (J)
- 4 ea. Door Washers (K)
- 1 ea. Rear Vent Adaptor (L)\*

\* The rear vent adaptor (cat. no. H5147) is only required for rear vent applications and must be ordered separately.

Cat. No.	Model	Description
79025	PI40-ZCK	PI40GL Pellet ZC Kit



### Tools Required

1/4" Nut Driver, 1/8" Drill

**IMPORTANT NOTE: ALL THE STAND-OFFS PROVIDED IN THIS KIT MUST BE INSTALLED ON THE PANELS PER THESE INSTRUCTIONS. THEY ARE REQUIRED TO ENSURE PROPER CLEARANCES.**

**BEFORE INSTALLING THE APPLIANCE REVIEW ALL REQUIREMENTS IN THIS MANUAL PROVIDED WITH THE APPLIANCE. ALL WARNINGS AND PRECAUTIONS IN THIS MANUAL APPLY TO THESE INSTRUCTIONS.**

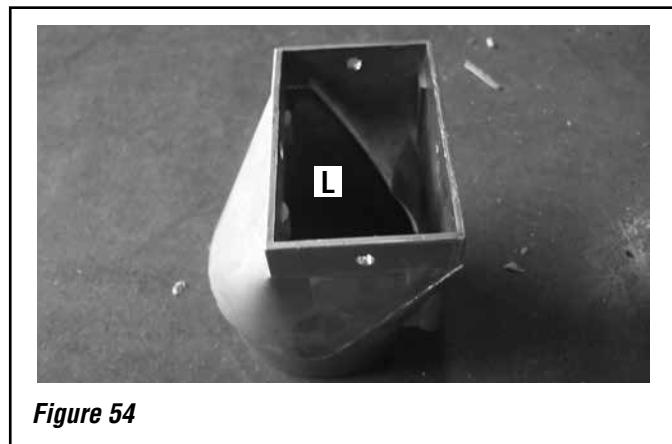
**DETERMINE THE VENT CONFIGURATION. FOLLOW INSTRUCTIONS IN THE INSTALLATION AND OPERATION MANUAL AND VENT MANUFACTURER'S INSTRUCTIONS.**

**DETERMINE THE FLOOR PROTECTION REQUIREMENTS. FOLLOW INSTRUCTIONS IN THE INSTALLATION AND OPERATION MANUAL. IF ANYTHING OTHER THAN A MASONRY HEARTH IS USED WITH THE WINSLOW FIREPLACE INSERT, YOU MUST USE HEAT KIT, CAT. NO. 79024 - SOLD SEPARATELY. IF A MASONRY HEARTH IS USED IT MUST EXTEND THE FULL WIDTH AND DEPTH OF THE ENCLOSURE AND TO THE FRONT AS SPECIFIED IN THE INSTALLATION AND OPERATION MANUAL.**

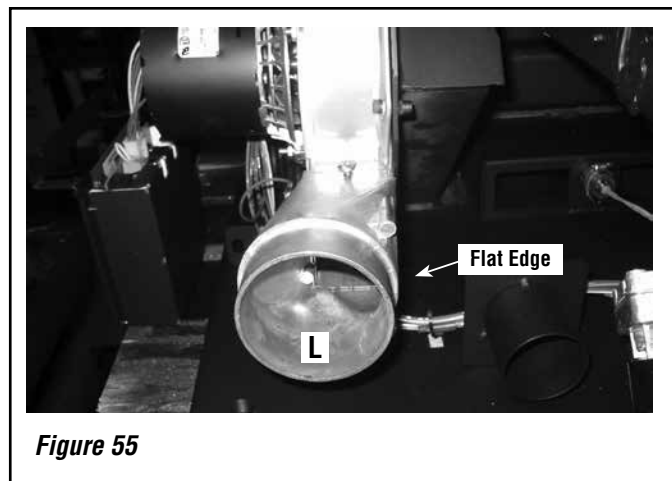
**NOTE: Top or rear vent?** If you will be venting out the top then you will install the block off plate (F in **Figure 53**) onto the lower back panel (A) in the spot that is marked "z" in **Figure 53**. If you are venting out the back you will install the block off plate (F) onto the top panel (D) in the spot that is marked "y" in **Figure 53**. You will use four of the sheet metal screws provided to attach the block off plate (F).

### Installation Instructions

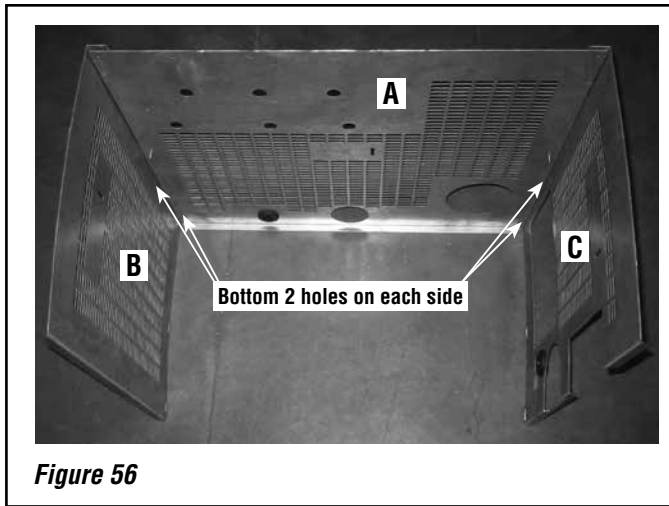
1. For a rear vent termination, remove the flue clean out box on the PI40GL pellet insert by removing the three screws (1 on top and 1 on both the right and left side) that hold it in place. Using these same screws, install the rear vent adaptor (L) in place of the flue clean out box (see **Figure 54**).



2. When installing the rear vent adaptor (L), ensure that the flat edge is directed towards the inside of the stove (see **Figure 55**).

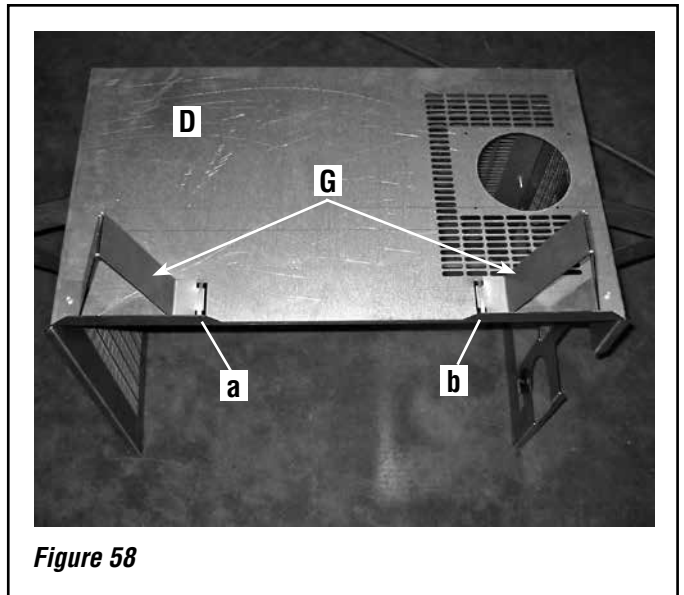


3. Assemble the perimeter (see **Figure 56**) - Using only the bottom 2 holes on each side, screw the left side panel (B) and the right side panel (C) to the back panel (A).



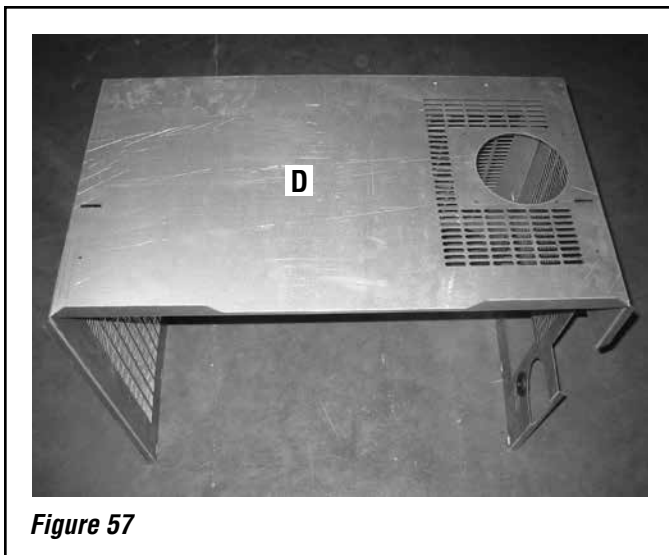
**Figure 56**

4. Install the top panel (D). Place the top panel (D) on top of the perimeter panels (A, B, and C). **Using only the three holes along the left and right side of the top panel (D)**, screw panel (D) onto the side panels (A and B). The 3 remaining holes along the back of the top panel (D) will be used in Step 7.



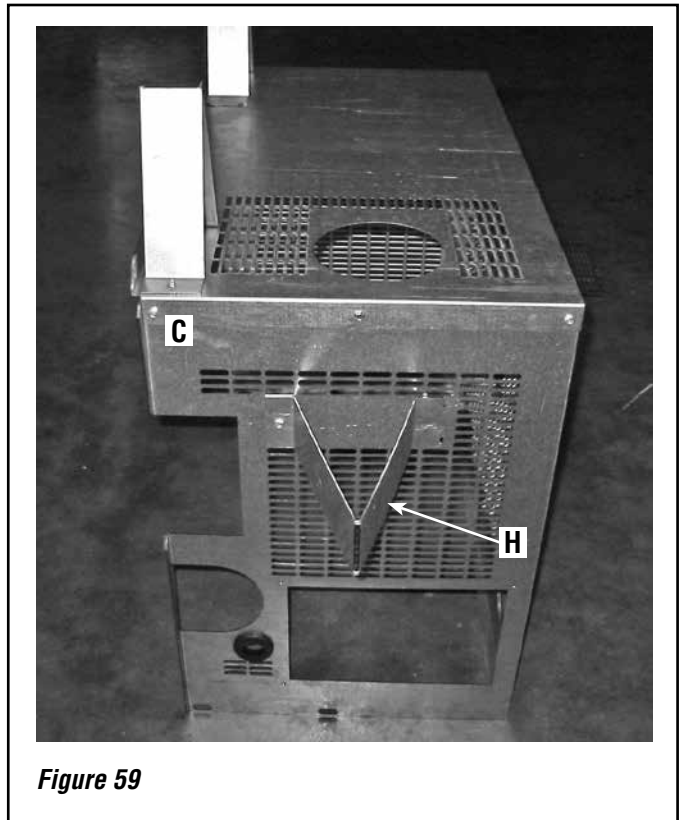
**Figure 58**

6. Install the side stand-off brackets (H) and rear stand-off bracket (I) in the same manner explained above. **Figure 59** below shows these stand-offs installed.



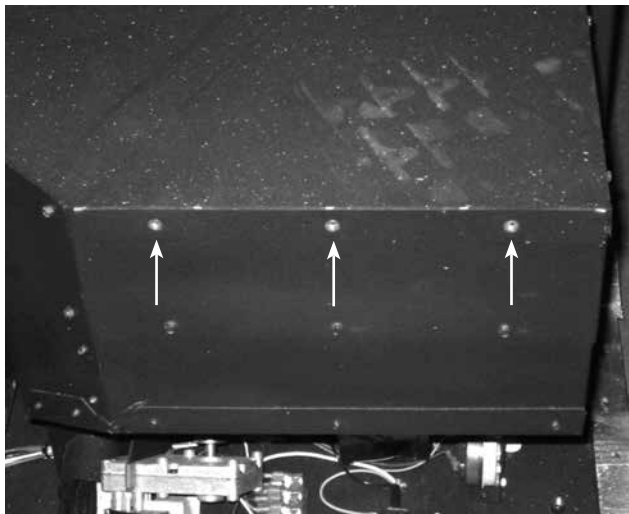
**Figure 57**

5. Install the top stand-offs (G). There are 2 standoffs on the top panel (D). Install them by taking the lip of the standoff and sliding them into the slots (a and b) then bend them down. Using the sheet metal screws provided, screw the standoffs (G) into the holes provided.



**Figure 59**

7. Remove the 3 screws located across the top of the pellet hopper (see **Figure 60**).



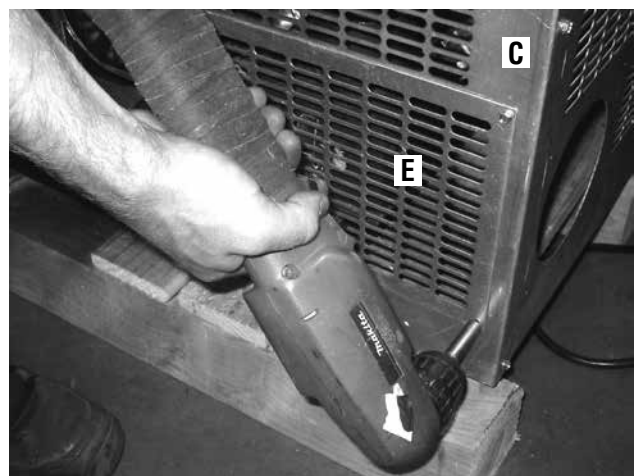
**Figure 60**

8. Set the assembled ZC box near the back of the stove and pull the power cord, located in the lower rear of the stove, through the rubber grommet at the bottom of the back panel (A). Now, pull the wiring harness through the rubber grommet located towards the bottom of the right side panel (C) (see **Figure 61**). Slide the ZC box against the back of the stove and reinstall the 3 screws removed in Step 7 through top panel (D) and into the stove.



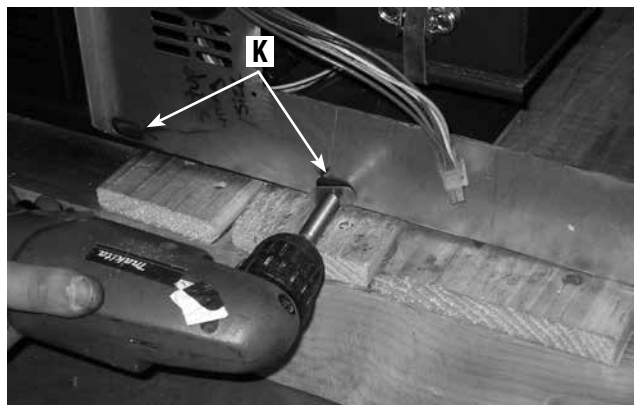
**Figure 61**

9. Install the access panel (E) by screwing it onto the right side panel (C), using four of the sheet metal screws provided.



**Figure 62**

10. Final step: Install the 4 door washers (K), using 4 of the sheet metal screws provided, insert two on each lower side of your ZC box (shown in the **Figure 63**). You are now ready to install your PI40GL pellet insert. **Follow all vent clearances stated in your Installation and Operation Manual and the vent manufacturers instructions.**



**Figure 63**

ZC Framing Dimensions for Combustible / Floor

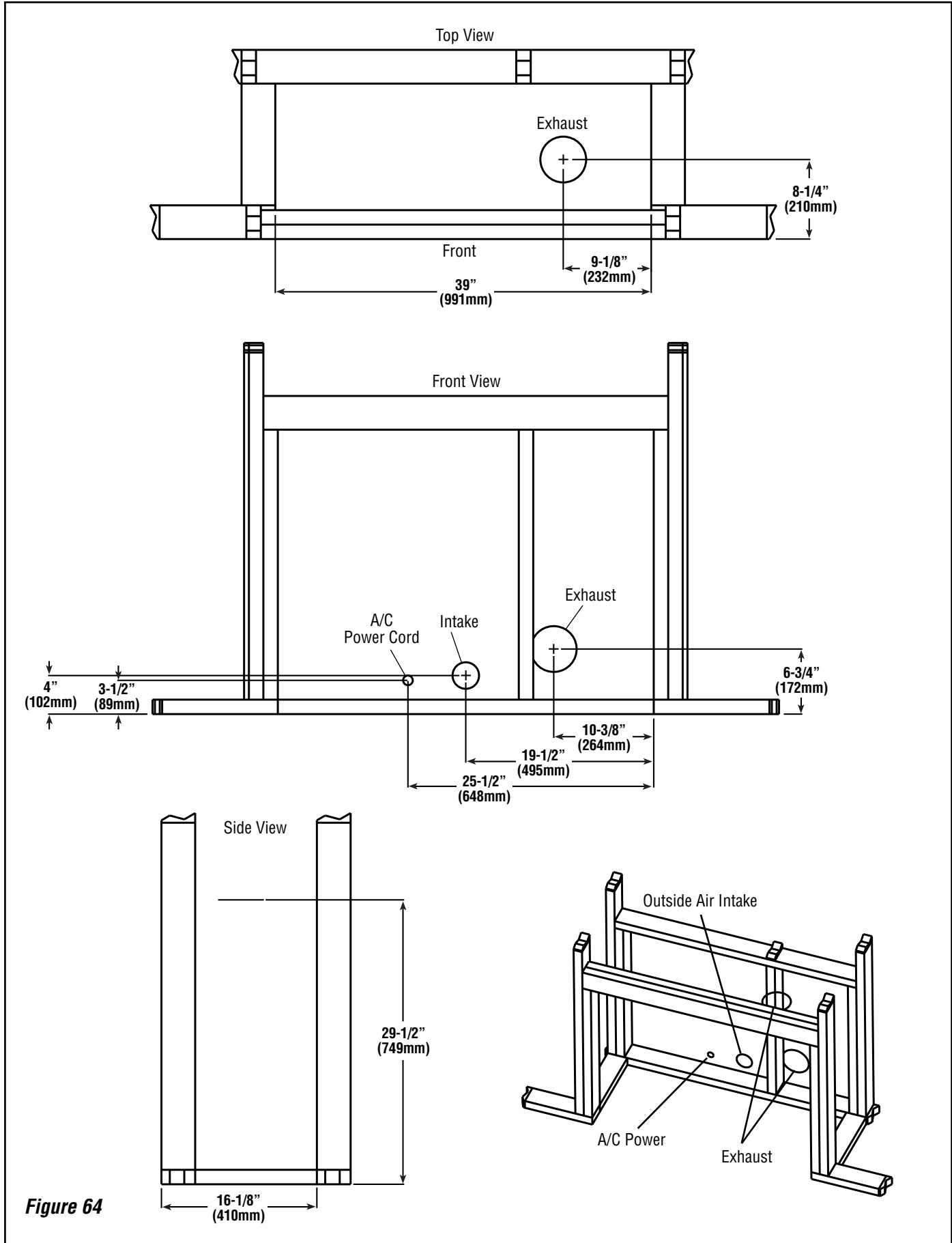


Figure 64

NOTE: DIAGRAMS & ILLUSTRATIONS ARE NOT TO SCALE.

ZC Framing Dimensions for Non-Combustible Hearth / Floor

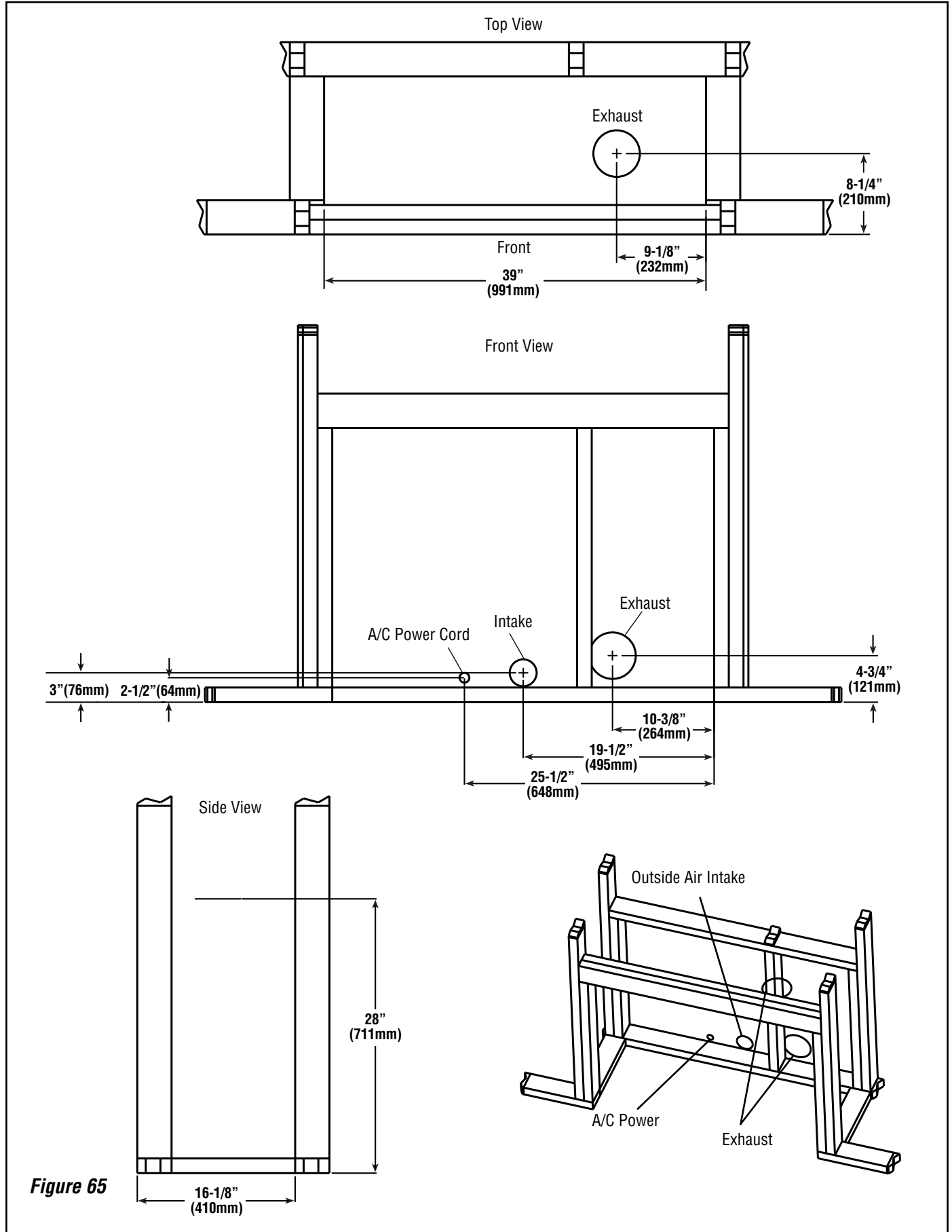


Figure 65

NOTE: DIAGRAMS & ILLUSTRATIONS ARE NOT TO SCALE.



Manufactured by/Fabriqué par:  
**INNOVATIVE HEARTH PRODUCTS**  
 1502 14TH ST NW  
 AUBURN, WA., USA 98001

**Room Heater, Pellet Fuel-Burning Type. Also For Use In Mobile Homes/  
 Radiateur de chambre, type boulette de combustible,  
 à utiliser aussi dans les mobile homes.**

**Model/Modèle: Winslow™ PI40GL**

Certification test emissions value 1.47 g/hr per EPA Method 28R.  
 This wood heater needs periodic inspection and repair for proper operation. Consult the owner's manual for further information. It is against federal regulations to operate this wood heater in a chimney inconsistent with the operating instructions in the owner's manual.

Inspect and clean exhaust venting system frequently  
 Install and use only in accordance with PI40GL installation and operating instructions.

Refer to local building codes and the installation manual for precautions required for passing the exhaust venting system through a combustible wall or ceiling.

Exhaust vent type is listed type "L", "PL", or Flex.  
 Contact local building or fire officials, or authority having jurisdiction, about restrictions and installation inspection in your area.

For use with only wood pellet fuel or a 50/50 wood pellet fuel/corn kernel mixture.  
 Do not connect this unit to a chimney serving another appliance.

Keep viewing door tightly closed during operation.  
 Input rating: 4.5 pounds per hour.

Electrical rating: 115 VAC, 60 Hz., 5.8 Amps  
 Route power cord away from unit. Do not route cord under or in front of appliance.

**DANGER:** Risk of electric shock. Disconnect power before servicing unit.  
 Replace glass only with ceramic glass.

For Alternative Installations See the PI40GL Installation and Operating Instructions.

Valeur d'émission du test d'homologation 1,47 g/h (EPA Method 28R).  
 Cet appareil de chauffage au bois doit être inspecté et entretenu périodiquement pour fonctionner correctement. Voir le manuel du propriétaire pour plus d'information. L'utilisation de cet appareil de chauffage au bois de manière incompatible avec les instructions du manuel du propriétaire constitue une infraction aux réglementations fédérales.

Examinez et nettoyez souvent le système de ventilation du gaz d'échappement.  
 N'installez, ni utilisez que selon les instructions d'installation et de fonctionnement PI40GL.

Voyez les règlements de bâtiment dans votre région et les instructions du fabricant pour les précautions exigées pour faire passer une cheminée dans un mur ou un plafond combustible.

Le système de ventilation du gaz d'échappement est classé type "L", "PL" ou flex.  
 Contactez vos autorités de bâtiment ou vos pompiers, ou l'autorité en titre, à propos des limitations et l'inspection de l'installation dans votre région.

N'utilisez qu'avec les boulettes de combustible en bois, ou avec un mélange 50/50 des boulettes de combustible en bois et les grains de maïs.

Ne liez pas cette unité à une cheminée qui alimente un autre appareil électrique.  
 Tenez la porte de vue bien fermée pendant l'opération.

Classement d'alimentation: 4.5 livres par heure.  
 Classement électrique: 115 VAC, 60 Hz., 5.8 Amps.

Faites passer le cordon d'électricité de l'unité. Ne faites pas passer le cordon sous ou devant l'appareil.

**AVERTISSEMENT:** Risque de choc électrique.  
 Ne remplacez la verre qu'avec la verre céramique.

Pour des installations alternatives, voyez les instructions d'installation et de fonctionnement PI40GL.

Part No./ No. pièce #900430-00 Rev. 1, 02/2020

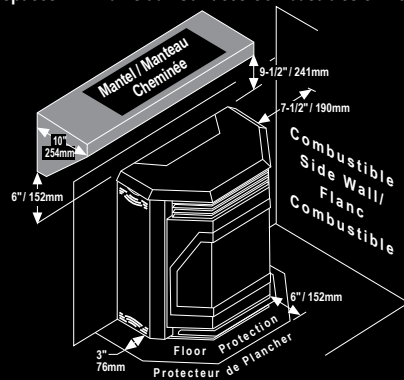
**DO NOT REMOVE THIS LABEL**

Made in U.S.A.

Serial Number  
 Numéro de Série **PI40GL-**



**Minimum Clearances to Combustible Surfaces in Inches  
 Espaces Minimums aux Surfaces Combustibles en Pouce**

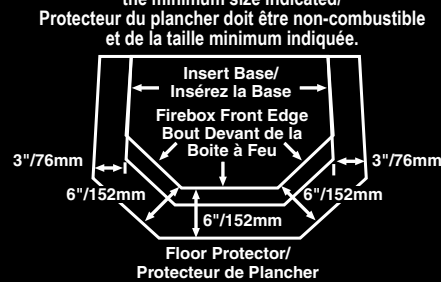


Report No. 14-188

Tested to: ASTM E2779 & ASTM E2515 standards, 2020 NSPS Compliant

Testé selon: ASTM E2779 et ASTM E2515, 2020 NSPS

Floor Protector must be non-combustible and of the minimum size indicated/  
 Protecteur du plancher doit être non-combustible et de la taille minimum indiquée.



U.S. ENVIRONMENTAL PROTECTION AGENCY - Certified to comply with 2020 particulate emission standards using crib wood.

**Date of Manufacture/Date de Fabrication**

2020	2021	2022	Jan	Feb	Mar	Apr	May	Jun	Jul	Aug	Sep	Oct	Nov	Dec
□	□	□	□	□	□	□	□	□	□	□	□	□	□	□



**CAUTION: HOT WHILE IN OPERATION. DO NOT TOUCH. KEEP CHILDREN, CLOTHING, AND FURNITURE AWAY. CONTACT MAY CAUSE SKIN BURNS. SEE NAMEPLATE AND INSTRUCTIONS. OPERATE THIS UNIT ONLY WITH THE FUEL HOPPER LID CLOSED. FAILURE TO DO SO MAY RESULT IN EMISSION OF PRODUCTS OF COMBUSTION FROM THE HOPPER UNDER CERTAIN CONDITIONS.**

**MAINTAIN HOPPER SEAL IN GOOD CONDITION. DO NOT OVERFILL HOPPER.**

**ATTENTION: CET APPAREIL EST CHAUD EN MARCHANT- NE TOUCHEZ PAS. TENEZ HORS DE LA PORTÉE DES ENFANTS. NE PERMETTEZ PAS LES HABITS A TOUCHER L'APPAREIL. LE CONTACT PEUT CAUSER DES BRULURES DE LA PEAU. VOYEZ LA PLAQUE ET LES AUTRES INSTRUCTIONS. FAITES MARCHER CETTE UNITE SEULEMENT AVEC LE CHAPEAU DE LA TREMIE DE COMBUSTIBLE FERMEE. EN CAS DE DEFAILLANCE, LES PRODUITS DE COMBUSTION POURRAIT ETRE EMIS DE LA TREMIE SOUS CERTAINES CONDITIONS. TENEZ LE PLOMB DE LA TREMIE EN BONNE CONDITION. NE REMPLISSEZ TROP LA TREMIE.**





# Innovative Hearth Products IronStrike® Pellet Stove and Insert Limited Lifetime Warranty

## THE WARRANTY

Innovative Hearth Products ("IHP") Limited Lifetime Warranty warrants your IronStrike® brand pellet fueled stove or insert ("Product") to be free from defects in materials and workmanship at the time of manufacture. The Product body, heat exchange tubes and ceramic glass carry the Limited Lifetime Warranty. Ceramic glass carries the Limited Lifetime Warranty against thermal breakage only. After installation, if covered components manufactured by IHP are found to be defective in materials or workmanship during the Limited Lifetime Warranty period and while the Product remains at the site of the original installation, IHP will, at its option, repair or replace the covered components. If repair or replacement is not commercially practical, IHP will, at its option, refund the purchase price or the wholesale price of the IHP Product, whichever is applicable.

IHP will also pay IHP prevailing labor rates, as determined in its sole discretion, incurred in repairing or replacing such components for up to five years. THERE ARE EXCLUSIONS AND LIMITATIONS to this Limited Lifetime Warranty as described herein.

## COVERAGE COMMENCEMENT DATE

Warranty coverage begins on the date of purchase. In the case of new home construction, warranty coverage begins on the date of first occupancy of the dwelling or six months after the sale of the Product by an independent IHP dealer/distributor, whichever occurs earlier. The warranty shall commence no later than 24 months following the date of product shipment from IHP, regardless of the installation or occupancy date.

## EXCLUSIONS AND LIMITATIONS

This Limited Lifetime Warranty applies only if the Product is installed in the United States or Canada and only if operated and maintained in accordance with the printed instructions accompanying the Product and in compliance with all applicable installation and building codes and good trade practices.

This warranty is non-transferable and extends to the original owner only. The Product must be purchased through a listed supplier of IHP and proof of purchase must be provided. The Product body and heat exchange tubes carry the Limited Lifetime Warranty from the date of installation. Vent components, trim components and paint are excluded from this Limited Lifetime Warranty. The following do not carry the Limited Lifetime Warranty but are warranted as follows:

- Accessories** – Repair or replacement for 90 days from the date of installation
- Cast iron burn pot** - Replacement for five years from the date of installation
- Electrical components** – Repair or replacement for two years from the date of installation
- Firebrick/refractory** – Replacement for 90 days from the date of installation
- Gaskets** – Repair or replacement for one year from the date of installation
- Gold & nickel plating** - Replacement for two years from date of installation. Excludes tarnishing
- Steel burn grate** - Replacement for two years from the date of installation
- Logs** – Replacement for 90 days from the date of installation
- Labor** – Prevailing IHP labor rates apply for the warranty period of the component

**Parts not otherwise listed carry a 90 day warranty from the date of installation.**

**Whenever practicable, IHP will provide replacement parts, if available, for a period of 10 years from the last date of manufacture of the Product.**

IHP will not be responsible for: (a) damages caused by normal wear and tear, accident, riot, fire, flood or acts of God; (b) damages caused by abuse, negligence, misuse, or unauthorized alteration or repair of the Product affecting its stability or performance (The Product must be subjected to normal use. The use of fuels other than those outlined in the operation manual provided with the Product will void all warranties and liabilities.); (c) damages caused by failing to provide proper maintenance and service in accordance with the instructions provided with the Product; (d) damages, repairs or inefficiency resulting from faulty installation or application of the Product.

This Limited Lifetime Warranty covers only parts and labor as provided herein. In no case shall IHP be responsible for materials, components or construction which are not manufactured or supplied by IHP or for the labor necessary to install, repair or remove such materials, components or construction. Additional utility bills incurred due to any malfunction or defect in equipment are not covered by this warranty. All replacement or repair components will be shipped F.O.B. from the nearest stocking IHP factory.

## LIMITATION ON LIABILITY

It is expressly agreed and understood that IHP's sole obligation and the purchaser's exclusive remedy under this warranty, under any other warranty, expressed or implied, or in contract, tort or otherwise, shall be limited to replacement, repair, or refund, as specified herein.

In no event shall IHP be liable for any incidental or consequential damages caused by defects in the Product, whether such damage occurs or is discovered before or after repair or replacement, and whether such damage is caused by IHP's negligence. IHP has not made and does not make any representation or warranty of fitness for a particular use or purpose, and there is no implied condition of fitness for a particular use or purpose.

IHP makes no expressed warranties except as stated in this Limited Lifetime Warranty. The duration of any implied warranty is limited to the duration of this expressed warranty.

No one is authorized to change this Limited Lifetime Warranty or to create for IHP any other obligation or liability in connection with the Product. Some states and provinces do not allow the exclusion or limitation of incidental or consequential damages, so the above limitations or exclusions may not apply to you. The provisions of this Limited Lifetime Warranty are in addition to and not a modification of or subtraction from any statutory warranties and other rights and remedies provided by law.

## INVESTIGATION OF CLAIMS AGAINST WARRANTY

IHP reserves the right to investigate any and all claims against this Limited Lifetime Warranty and to decide, in its sole discretion, upon the method of settlement.

To receive the benefits and advantages described in this Limited Lifetime Warranty, the appliance must be installed and repaired by a licensed contractor approved by IHP.

Contact IHP at the address provided herein to obtain a listing of approved dealers/distributors. **IHP shall in no event be responsible for any warranty work done by a contractor that is not approved without first obtaining IHP's prior written consent.**

## HOW TO REGISTER A CLAIM AGAINST WARRANTY

In order for any claim under this warranty to be valid, you must contact the IHP dealer/distributor from which you purchased the product. If you cannot locate the dealer/distributor, then you must notify IHP in writing. IHP must be notified of the claimed defect in writing within 90 days of the date of failure. Notices should be directed to the IHP Warranty Department at 1769 East Lawrence Street; Russellville, AL 35654 or visit our website at [WWW.IRONSTRIKE.US.COM](http://WWW.IRONSTRIKE.US.COM).

## WARRANTY

Your pellet insert is covered by a limited warranty (provided with appliance). Please read the warranty to be familiar with its coverage.

Retain this manual. File it with your other documents for future reference.

## PRODUCT REFERENCE INFORMATION

We recommend that you record the following important information about your fireplace. Please contact your IHP dealer for any questions or concerns.

## REPLACEMENT PARTS

See **Page 30** for a complete replacement parts list. Use only parts supplied from the manufacturer.

Normally, all parts should be ordered through your IHP distributor or dealer. Parts will be shipped at prevailing prices at time of order.

When ordering repair parts, always give the following information:

1. The model number of the appliance.
2. The serial number of the appliance.
3. The Part Number.
4. The description of the part.
5. The quantity required.
6. The installation date of the appliance.

If you encounter any problems or have any questions concerning the installation or application of this system, please contact your dealer.

**IHP**  
**1769 East Lawrence Street**  
**Russellville, AL 35654**  
visit us at [IronStrike.us.com](http://IronStrike.us.com)

Model Number _____
Serial Number _____
Installation Date _____
Dealer's Name _____
Dealer's Phone Number _____

 <p><b>NATIONAL FIREPLACE INSTITUTE</b> <b>NFI</b> <b>CERTIFIED</b> <a href="http://www.nficertified.org">www.nficertified.org</a></p>	<p>We recommend that our pellet hearth products be installed and serviced by professionals who are certified in the U.S. by the National Fireplace Institute® (NFI) as NFI Pellet Specialists or who are certified in Canada by Wood Energy Technical Training (WETT).</p>	 <p><b>Wood Energy Technical Training</b> <a href="http://www.wettinc.ca">www.wettinc.ca</a></p>
---	--	--

Innovative Hearth Products (IHP) reserves the right to make changes at any time, without notice, in design, materials, specifications, and prices, and also to discontinue colors, styles, and products. Consult your local distributor for fireplace code information.

