

# Epic™ IPI

## Appliance Specifications

## DIRECT-VENT FREESTANDING GAS STOVE

Product Information

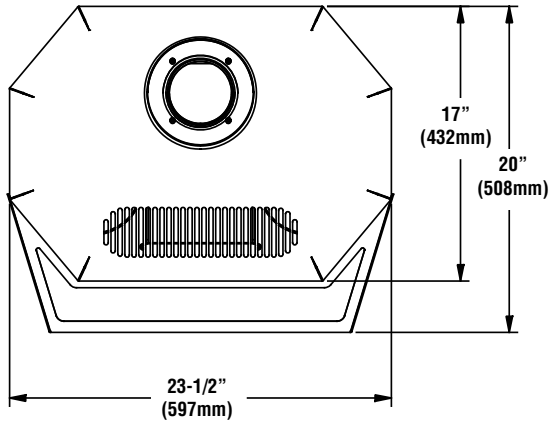
Product Reference Information			
Cat.#	Model	Ship. Wt.	Ship. Volume
F4483	Epic-IPI	211 lb.	25.0 cu. ft.

Options

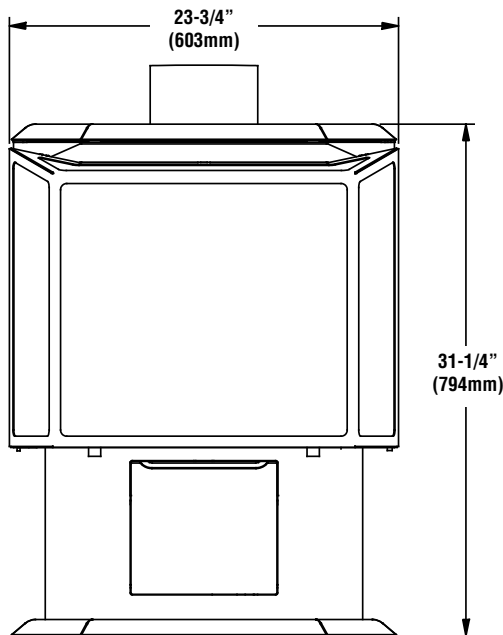
### Options

- On/Off Thermostatic Remote Control
- Brushed Nickel Trim

Stove Dimensions



Top View



Front View

BTU's

Input (BTU)	
Fuel	Epic-IPI
	Input Rate (BTU / HR)
Natural Gas	38,000 / 26,500
Propane	38,000 / 28,500

Listing Information

Efficiency	
Epic-IPI	
EnerGuide P4	64.3% - NG
	63.5% - LP
AFUE	66.4% - NG
	69.5% - LP

Conforms to ANSI Z21.88-2019/CSA 2.33-2019, UL307b, CSA P.4.1-15, AND CSA 2.17-2019. May be installed in residential bedrooms and manufactured (mobile) homes.

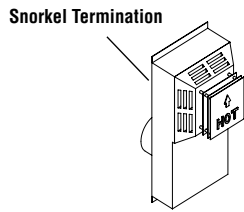
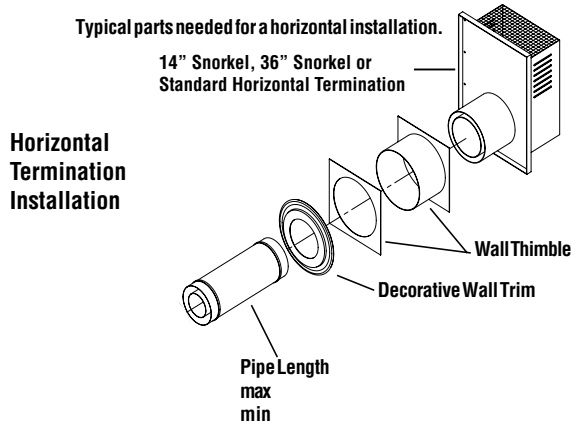


Report #14-161

**NOTE: Diagrams, illustrations and photographs are not to scale - consult installation instructions. Product designs, materials, dimensions, specifications, colors and prices are subject to change or discontinuance without notice.**

# Epic™ IPI

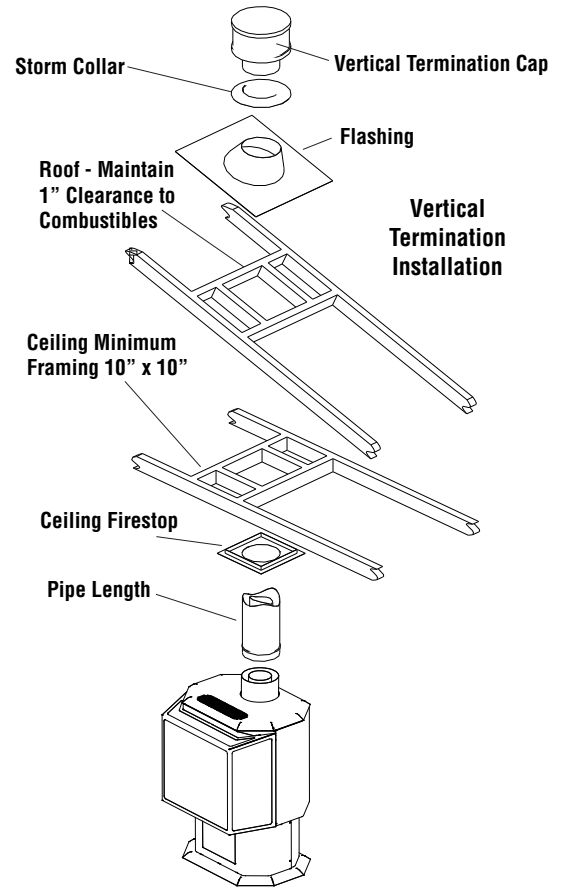
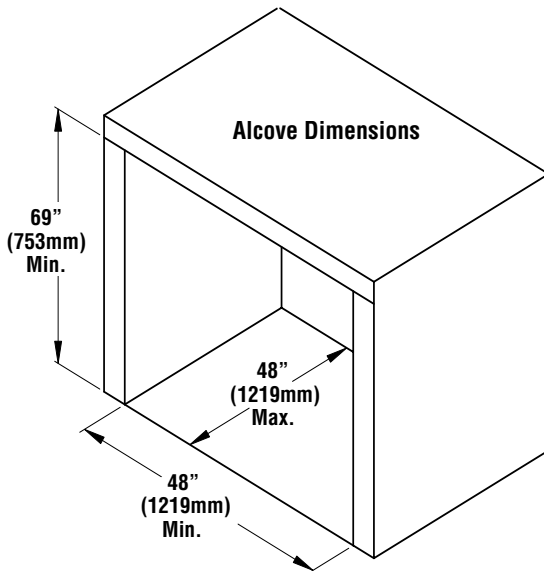
Venting



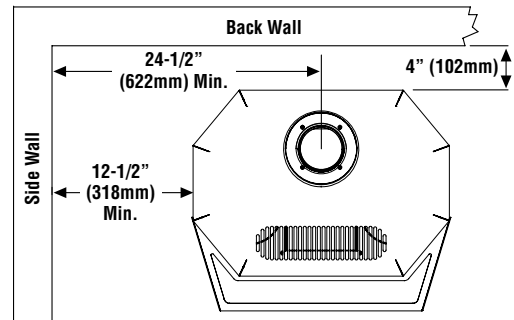
A noncombustible hearth pad is not required. This stove may be installed on a combustible surface. Also, the floor beneath the stove must be stable, level, hard and strong enough to support the stove without a tipping hazard.

Floor Protection

Alcove Dimensions



## Clearances



## Corner Installation

