



EPIC shown with
brush nickel trim finish

OVERVIEW

- ◆ Huge bay window provides wide-open viewing for a remarkable fire presentation.
- ◆ Heavy-duty steel construction ensures stability and durability.
- ◆ Integrated cast-iron heat exchanger for dependable, even heating.
- ◆ State-of-the-art burn technology provides the warm glowing appearance of an authentic fire.
- ◆ Beautifully crafted high-definition ceramic fiber log set.
- ◆ Ceramic glass for optimum heat transfer and a protective screen*.
- ◆ Electronic ignition with battery backup provides continued operation in the event of a power outage.
- ◆ Clean, simple lines and finished back allow for placement of stove in open spaces.
- ◆ No hearth pad required when installed a solid combustible surface or carpet with less than 1-1/2" pile.
- ◆ Variable speed blower with thermally activated switch to fine tune your heating needs.
- ◆ Optional remote control kit with manual on/off and thermostatic modes available for added convenience.
- ◆ 20 year limited warranty.

*All applicable models comply with ANSI Z21.50/88 barrier requirements.

OPTIONS

TRIMS



Black



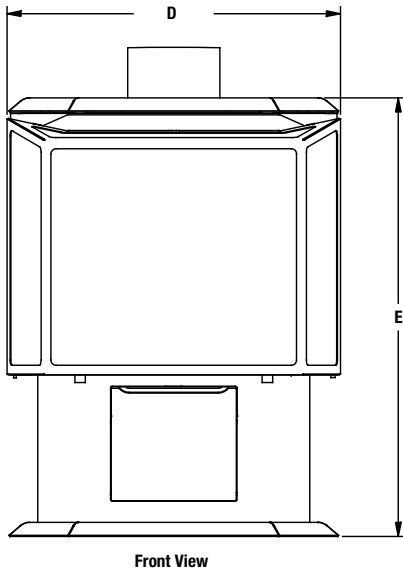
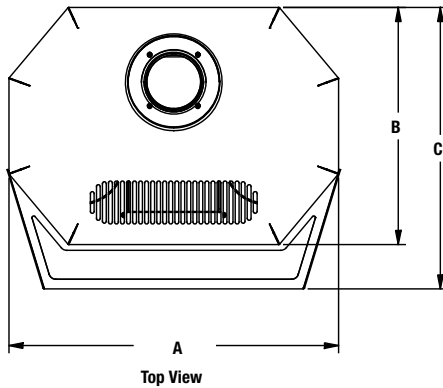
Brushed Nickel

REMOTE



- Manual On/Off and Thermostatic modes

STOVE DIMENSIONS

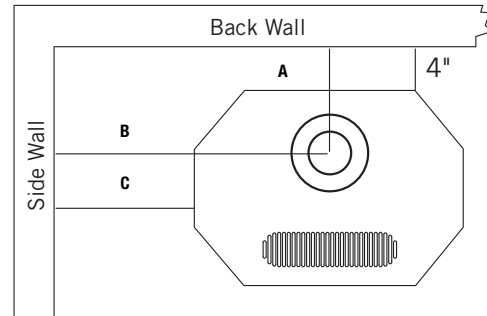


EPIC	
A	23-1/2"
B	17"
C	20"
D	23-3/4"
E	31-1/4"

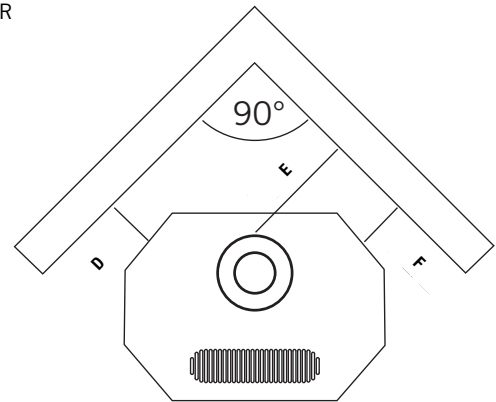
CLEARANCES

This appliance must be installed in accordance with local building codes. These specifications are for reference only. Use installation manual for actual installation.

SIDE WALL/BACK WALL



CORNER



EPIC	
A	9-3/8"
B	24-1/2"
C	12-1/2"
D	4-1/2"
E	10-1/2"
F	4-1/2"

IMPORTANT NOTES:

As with any heating appliance, fireplace or stove, this appliance is extremely hot during operation. Read and understand all operating instructions before using this appliance. For further information, consult your dealer. Diagrams, illustrations and photographs are not to scale—consult installation instructions. Product designs, materials, dimensions, specifications, colors and prices are subject to change or discontinuance without notice.

*Efficiency varies slightly with various pipe configurations

**Square-foot heating capacities are approximations only. Local conditions such as elevation, wind, vent configuration and choice of fuel will affect overall appearance of the fire and heating performance. Performance can also vary with home design and insulation, climate, condition and type of fuel used, appliance location, burn rate, accessories chosen, chimney installation and how the appliance is operated.