



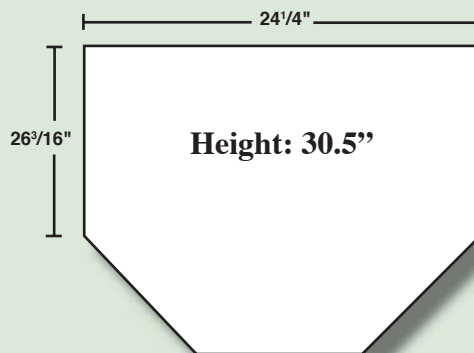
The contemporary Saranac Free Standing stove offers warmth and comfort in a very stylistic cabinet. It offers bay view doors for an unobstructed view of the fire. The large ash bin makes clean up a breeze. The Saranac offers a very large heat exchange area for maximum efficiency.

Features:

- 50,000 BTU's
- Electronic igniter
- Digital control board
- Fully automatic controls and fuel feed
- Thermostat ready
- 86% Efficient
- Convenient, large easy-slide ash drawer
- Electronic igniter

OPTIONS

- Log set
- Fire brick
- Thermostat/remote



Clearances pending see website for details