



Thompson



*Door and Louvers
Available in:
Gold
Pewter
Classic Black*



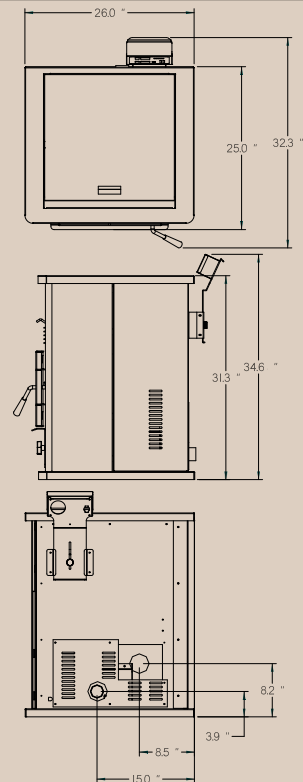
Simple Clean Vertical Lines

Load it up and let it run. The Thompson vertical freestanding stove has an extra-large 120 pound hopper. Enough to last at least a couple days in most climates. The deep ash drawer pockets and large hopper lid combined with the easy-reach controls make this our easiest unit to use. Easy to load, easy to maintain, easy to use.



Specifications

Fuel Hopper Capacity	120 lb. - 20 to 96 hours burn time.
Burn Rate	2 to 5 lb./hr. set at factory. Adjustable to 1.25 to 6 lb./hr.
BTUs	16,800 to 42,000 BTUs/hr. set at factory. Adjustable to 10,500 to 50,400 BTUs/hr.
Heating Capacity	Heats up to 2000 sq. ft.*
Heat Exchanger	13 Durable stainless steel tubes.
Convection Blower	265 CFM, 4 blower settings with auto-heat, cycling up as needed to put extra heat into your home.
Controls & Heat Modes	Soft-touch digital control with 5 heat levels and 3 modes : manual, thermostat high/low, thermostat on/off.**
Super Grate	Allows you to burn super-premium to standard grade pellets.
Ignition	Automatic electric hot air igniter.
Air Adjustment	Side-mounted draft control allows easy adjustment for changes in fuel.



Options

Duel Mode Fully Automatic Thermostat Control

***(Optional thermostat required to operate in thermostat modes)*

You choose: Have your heater light and completely shut down in On/Off mode, or turn down to low between heating cycles in High/Low mode. You can set the room temperature and relax. Includes wall thermostat, and 25' of 18/2 wire.

Fresh Air Intake Kit

3' Kit - Comes with 3' x 2" aluminum duct, hood, and 2 clamps.
10' Kit - Comes with 10' x 2" aluminum duct, hood, and two clamps.

An outside air kit is required in some areas and in some types of installations. Bringing in outside air for combustion will help prevent cold drafts in your home and assist in proper combustion.

Hand Crafted Log Set

Each one-piece log set is individually crafted of stainless steel to give the appearance of real wood. The stainless design is much more durable than traditional ceramic and will last for years in the harsh environment of the pellet fire.

Fuel Hopper Extension

Add an additional 100 pounds of fuel capacity. The all-steel constructed extension sits in the hopper opening, adding about 12 inches of height. It can be added or removed as needed.

*Approximate heating capacity: figures will vary depending upon quality of fuel, floor plan, heat loss of structure and climate.