



EMPIRE
STOVE

WOOD FIREPLACE

St. Clair 4300

Features

- Simple Operation
- Easy to Maintain
- EPA 2020 Certified
- Limited Lifetime Warranty
- Multiple Design Options
- Includes Blower

Specifications

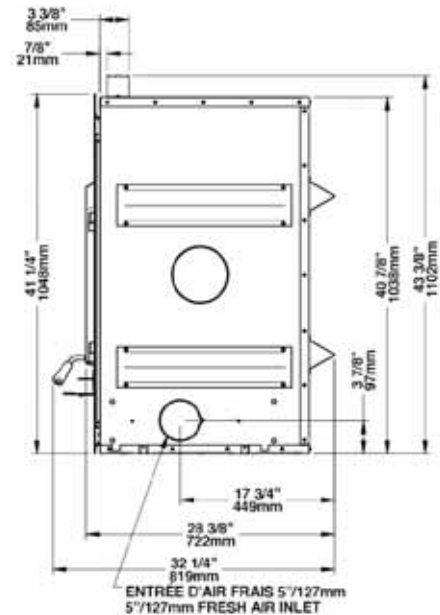
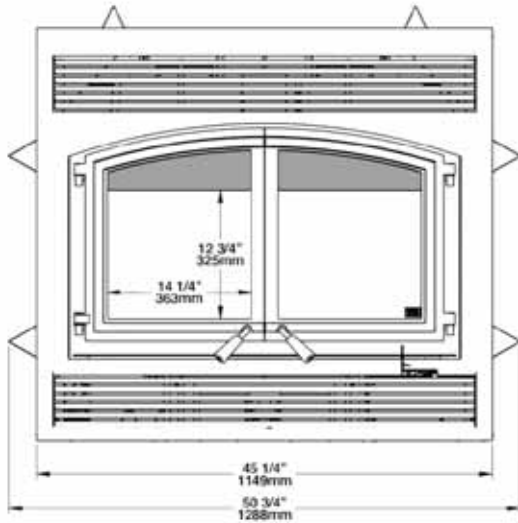
- Heating Area 1000-2800 sq. ft.
- Burn Time 10 hours
- Maximum Heat Output 95,000 BTUs
- Maximum Log Length 25 in.
- Firebox Size 4.28 cu. ft.
- Min Fireplace 49 ½" H x 38" W x 27" D

Options & Accessories

- Refractory (Required)
 - Classic Brick
- Faceplate (Required)
 - Traditional Faceplate
- 2 Door Options (Requires 1)
 - Nickel Door Overlay
 - Black Door Overlay
- Accessories
 - Fresh Air Intake Kit
 - Forced Air Distribution Kit
 - Gravity Air Circulation Kit

St. Clair 4300

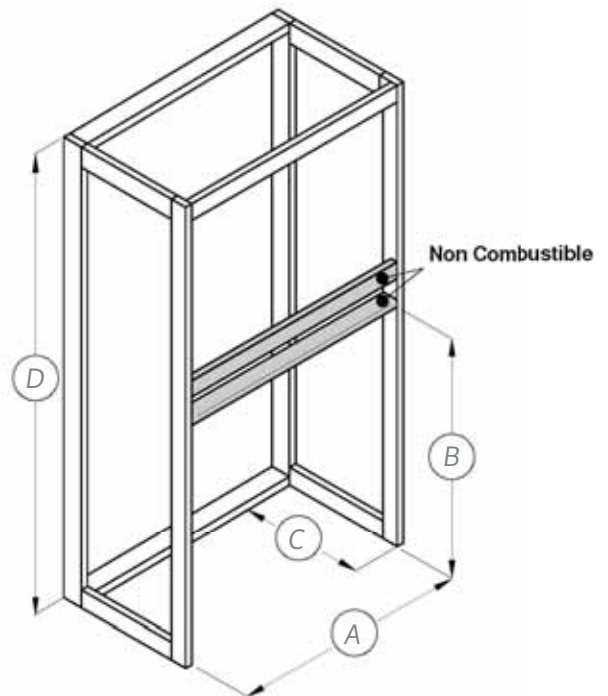
DIMENSIONS



MINIMUM FRAMING DIMENSIONS

ST. CLAIR 4300

| | A | B | C | D |
|----|---------|---------|---------|-----|
| US | 50 3/4" | 43 3/8" | 26 7/8" | 84" |



LIMITED LIFETIME: Combustion chamber (welds only) and cast iron door frame, Ceramic Glass, Plating (manufacture defect), step top. **LIMITED 7 YEAR:** Surrounds, heat shields, ash drawer, pedestal, C-Cast Baffle, secondary air tubes, deflectors and supports. **LIMITED 5 YEAR:** Handle assembly, glass retainers, air control mechanism, removable carbon steel combustion chamber components. **LIMITED 2 YEAR:** Standard and optional blower, heat sensors, switches, rheostat, wiring and electronics. **LIMITED 1 YEAR:** Paint peeling, gaskets, insulation, ceramic fiber blankets, firebricks and other options. **LIMITED 90 DAY:** All parts replaced under warranty.



info@empirestove.com