



EMPIRE  
STOVE

WOOD FIREPLACE

## St. Clair 3000

### Features

- *Simple Operation*
- *Easy to Maintain*
- *EPA 2020 Certified*
- *Limited Lifetime Warranty*
- *Multiple Design Options*
- *Includes Blower*

### Specifications

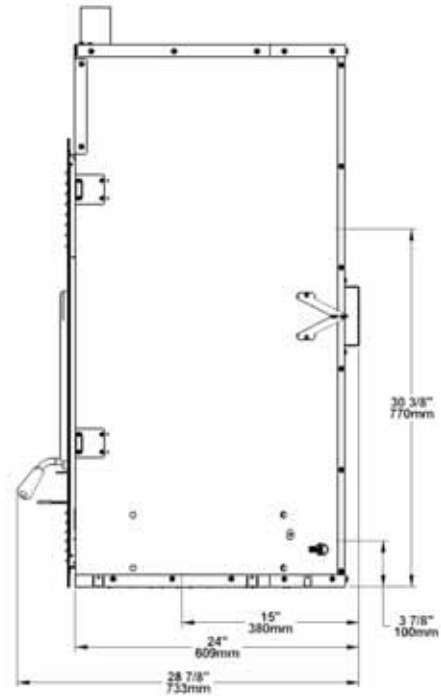
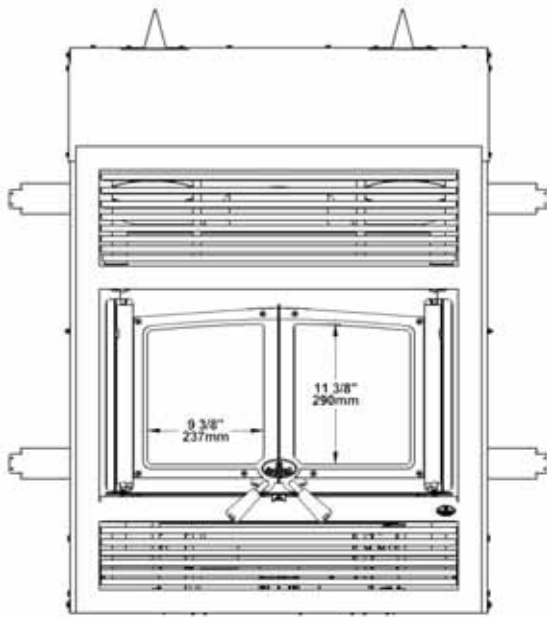
- *Heating Area 750-2500 sq. ft.*
- *Burn Time 9 hours*
- *Maximum Heat Output 80,000 BTUs*
- *Maximum Log Length 18 in.*
- *Firebox Size 3.0 cu. ft.*
- *Min Fireplace 38" H x 36 ½" W x 24" D*

### Options & Accessories

- *Faceplate (Required)*
  - *Traditional Faceplate*
- *2 Door Options (Requires 1)*
  - *Nickel Door Overlay*
  - *Black Door Overlay*
- *Accessories*
  - *Black Barrier Fire Screen*
  - *Fresh Air Intake Kit*
  - *Forced Air Distribution Kit*
  - *Gravity Air Circulation Kit*

# St. Clair 3000

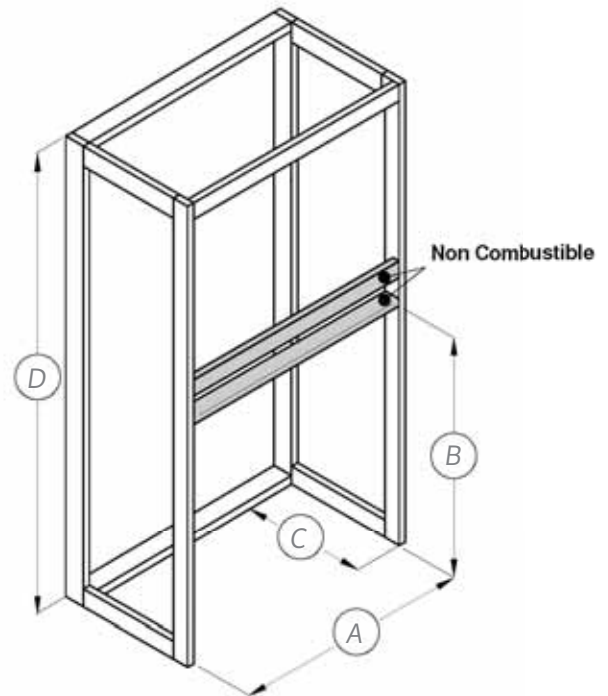
## DIMENSIONS



## MINIMUM OPENING DIMENSIONS

### ST. CLAIR 3000

	A	B	C	D
US	41 3/4"	49 1/8"	24"	80"



LIMITED LIFETIME: Combustion chamber (welds only) and cast iron door frame, Ceramic Glass, Plating (manufacture defect), step top. LIMITED 7 YEAR: Surrounds, heat shields, ash drawer, pedestal, C-Cast Baffle, secondary air tubes, deflectors and supports. LIMITED 5 YEAR: Handle assembly, glass retainers, air control mechanism, removable carbon steel combustion chamber components. LIMITED 2 YEAR: Standard and optional blower, heat sensors, switches, rheostat, wiring and electronics. LIMITED 1 YEAR: Paint peeling, gaskets, insulation, ceramic fiber blankets, firebricks and other options. LIMITED 90 DAY: All parts replaced under warranty.



info@empirestove.com