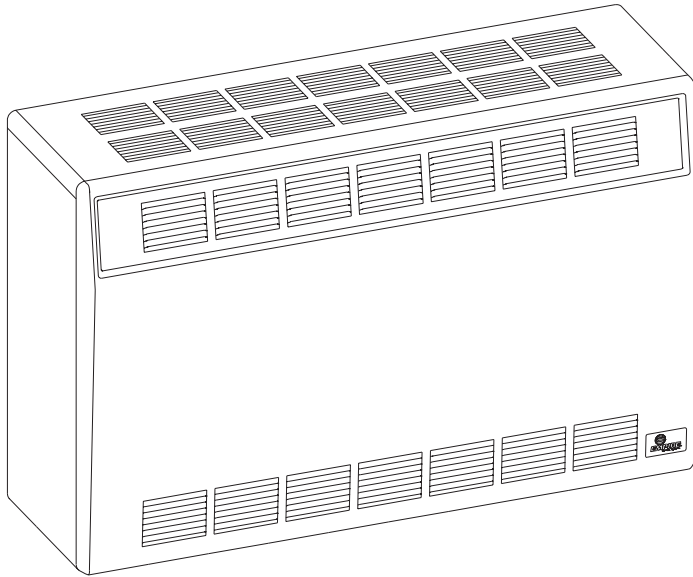




# INSTALLATION INSTRUCTIONS AND OWNER'S MANUAL



## DIRECT VENT WALL FURNACE

**MODELS  
DV-25-2SG  
DV-35-2SG**



**WARNING:** If the information in these instructions are not followed exactly, a fire or explosion may result causing property damage, personal injury or loss of life.

- Do not store or use gasoline or other flammable vapors and liquids in the vicinity of this or any other appliance.
- **WHAT TO DO IF YOU SMELL GAS**
  - Do not try to light any appliance.
  - Do not touch any electrical switch; do not use any phone in your building.
  - Immediately call your gas supplier from a neighbor's phone. Follow the gas supplier's instructions.
  - If you cannot reach your gas supplier, call the fire department.
- Installation and service must be performed by a qualified installer, service agency or the gas supplier.

**Installer:** Leave this manual with the appliance.

**Consumer:** Retain this manual for future reference.

This appliance may be installed in an aftermarket, permanently located, manufactured home (USA only) or mobile home, where not prohibited by state or local codes.

This appliance is only for use with the type of gas indicated on the rating plate. This appliance is not convertible for use with other gases, unless a certified kit is used.

**WARNING:** If not installed, operated and maintained in accordance with the manufacturer's instructions, this product could expose you to substances in fuel or from fuel combustion which can cause death or serious illness.

# TABLE OF CONTENTS

SECTION	PAGE
Important Safety Information .....	3
Safety Information for Users of LP Gas .....	4
Requirements for Massachusetts.....	5
Introduction.....	6
Specifications .....	6
Gas Supply .....	7
Clearances .....	8
Installation Instructions.....	8-10
Thermostat Location .....	10-11
Lighting Instructions .....	12
Pilot Flame Characteristics .....	13
Main Burner Flame Characteristics .....	13
Maintenance.....	14
Troubleshooting .....	14
Master Parts Distributor List.....	15
How to Order Repair Parts.....	15
Parts List .....	16
Parts View .....	17
Optional Blower Installation Instructions .....	18-19

# IMPORTANT SAFETY INFORMATION

## **THIS IS A HEATING APPLIANCE DO NOT OPERATE THIS APPLIANCE WITHOUT FRONT PANEL INSTALLED.**

- Due to high temperatures the appliance should be located out of traffic and away from furniture and draperies.
- Children and adults should be alerted to the hazards of high surface temperatures and should stay away to avoid burns or clothing ignition.
- Young children should be carefully supervised when they are in the same room as the appliance.
- Clothing or other flammable material should not be placed on or near the appliance.
- Any safety screen or guard removed for servicing an appliance must be replaced prior to operating the appliance.
- Keep burner and control compartment clean.
- Vent cap hot while furnace is in operation.
- Installation and repair should be done by a **QUALIFIED SERVICE PERSON**. The appliance should be inspected before use and at least annually by a qualified service person. More frequent cleaning may be required due to excessive lint from carpeting, bedding materials, etc. It is imperative that control compartments, burners and circulating air passageways of the appliance be kept clean.
- **DO NOT** put anything around the furnace that will obstruct the flow of combustion and ventilation air.
- **DO** keep the appliance area clear and free from combustible material, gasoline and other flammable vapors and liquids.
- **DO** examine venting system periodically and replace damaged parts.
- **DO** make a periodic visual check of pilot and burner. Clean and replace damaged parts.
- **CAUTION:** Pilot hole cover must be kept tightly closed during operation.
- **DO NOT** use this heater if any part has been under water. Immediately call a qualified service technician to inspect the heater and to replace any part of the control system and any gas control which has been under water.

# SAFETY INFORMATION FOR USERS OF LP-GAS

**Propane (LP-Gas) is a flammable gas which can cause fires and explosions. In its natural state, propane is odorless and colorless. You may not know all the following safety precautions which can protect both you and your family from an accident. Read them carefully now, then review them point**

**by point with the members of your household. Someday when there may not be a minute to lose, everyone's safety will depend on knowing exactly what to do. If, after reading the following information, you feel you still need more information, please contact your gas supplier.**

## LP-GAS WARNING ODOR

If a gas leak happens, you should be able to smell the gas because of the odorant put in the LP-Gas. That's your signal to go into immediate action!

- Do not operate electric switches, light matches, use your phone. Do not do anything that could ignite the gas.
- Get everyone out of the building, vehicle, trailer, or area. Do that IMMEDIATELY.
- Close all gas tank or cylinder supply valves.
- LP-Gas is heavier than air and may settle in low areas such as basements. When you have reason to suspect a gas leak, keep out of basements and other low areas. Stay out until firefighters declare them to be safe.
- Use your neighbor's phone and call a trained LP-Gas service person and the fire department. Even though you may not continue to smell gas, do not turn on the gas again. Do not re-enter the building, vehicle, trailer, or area.
- **Finally**, let the service man and firefighters check for escaped gas. Have them air out the area before you return. Properly trained LP-Gas service people should repair the leak, then check and relight the gas appliance for you.

## NO ODOR DETECTED - ODOR FADE

Some people cannot smell well. Some people cannot smell the odor of the chemical put into the gas. You must find out if you can smell the odorant in propane. Smoking can decrease your ability to smell. Being around an odor for a time can affect your sensitivity or ability to detect that odor. Sometimes other odors in the area mask the gas odor. People may not smell the gas odor or their minds are on something else. Thinking about smelling a gas odor can make it easier to smell.

The odorant in LP-gas is colorless, and it can fade under some circumstances. For example, if there is an underground leak, the movement of the gas through soil can filter the odorant. Odorants

in LP-Gas also are subject to oxidation. This fading can occur if there is rust inside the storage tank or in iron gas pipes.

The odorant in escaped gas can adsorb or absorb onto or into walls, masonry and other materials and fabrics in a room. That will take some of the odorant out of the gas, reducing its odor intensity.

LP-Gas may stratify in a closed area, and the odor intensity could vary at different levels. Since it is heavier than air, there may be more odor at lower levels. Always be sensitive to the slightest gas odor. If you detect any odor, treat it as a serious leak. Immediately go into action as instructed earlier.

## SOME POINTS TO REMEMBER

- **Learn to recognize the odor of LP-gas.** Your local LP-Gas Dealer can give you a "Scratch and Sniff" pamphlet. Use it to find out what the propane odor smells like. If you suspect that your LP-Gas has a weak or abnormal odor, call your LP-Gas Dealer.
- If you are not qualified, do not light pilot lights, perform service, or make adjustments to appliances on the LP-Gas system. If you are qualified, consciously think about the odor of LP-Gas prior to and while lighting pilot lights or performing service or making adjustments.
- Sometimes a basement or a closed-up house has a musty smell that can cover up the LP-Gas odor. Do not try to light pilot lights, perform service, or make adjustments in an area where the conditions are such that you may not detect the odor if there has been a leak of LP-Gas.
- Odor fade, due to oxidation by rust or adsorption on walls of new cylinders and tanks, is possible. Therefore, people should be particularly alert and careful when new tanks or cylinders are placed in service. Odor fade can occur in new tanks, or reinstalled old tanks, if they are filled and allowed to set too long before refilling. Cylinders and tanks which have been out of service for a time may develop internal rust which will cause odor fade. If such conditions are suspected to exist, a periodic sniff test of the gas is advisable. If you have any question about the gas odor, call your LP-gas dealer. A periodic sniff test of the LP-gas is a good safety measure under any condition.
- If, at any time, you do not smell the LP-Gas odorant and you think you should, assume you have a leak. Then take the same immediate action recommended above for the occasion when you do detect the odorized LP-Gas.
- If you experience a complete "gas out," (the container is under no vapor pressure), turn the tank valve off immediately. If the container valve is left on, the container may draw in some air through openings such as pilot light orifices. If this occurs, some new internal rusting could occur. If the valve is left open, then treat the container as a new tank. Always be sure your container is under vapor pressure by turning it off at the container before it goes completely empty or having it refilled before it is completely empty.

# REQUIREMENTS FOR MASSACHUSETTS

For all side wall horizontally vented gas fueled equipment installed in every dwelling, building or structure used in whole or in part for residential purposes, including those owned or operated by the Commonwealth and where the side wall exhaust vent termination is less than seven (7) feet above finished grade in the area of the venting, including but not limited to decks and porches, the following requirements shall be satisfied:

1. **INSTALLATION OF CARBON MONOXIDE DETECTORS.** At the time of installation of the side wall horizontal vented gas fueled equipment, the installing plumber or gasfitter shall observe that a hard wired carbon monoxide detector with an alarm and battery back-up is installed on the floor level where the gas equipment is to be installed. In addition, the installing plumber or gasfitter shall observe that a battery operated or hard wired carbon monoxide detector with an alarm is installed on each additional level of the dwelling, building or structure served by the side wall horizontal vented gas fueled equipment. It shall be the responsibility of the property owner to secure the services of qualified licensed professionals for the installation of hard wired carbon monoxide detectors
  - a. In the event that the side wall horizontally vented gas fueled equipment is installed in a crawl space or an attic, the hard wired carbon monoxide detector with alarm and battery back-up may be installed on the next adjacent floor level.
  - b. In the event that the requirements of this subdivision can not be met at the time of completion of installation, the owner shall have a period of thirty (30) days to comply with the above requirements; provided, however, that during said thirty (30) day period, a battery operated carbon monoxide detector with an alarm shall be installed.
2. **APPROVED CARBON MONOXIDE DETECTORS.** Each carbon monoxide detector as required in accordance with the above provisions shall comply with NFPA 720 and be ANSI/UL 2034 listed and IAS certified.
3. **SIGNAGE.** A metal or plastic identification plate shall be permanently mounted to the exterior of the building at a minimum height of eight (8) feet above grade directly in line with the exhaust vent terminal for the horizontally vented gas fueled heating appliance or equipment. The sign shall read, in print size no less than one-half (1/2) inch in size, **“GAS VENT DIRECTLY BELOW. KEEP CLEAR OF ALL OBSTRUCTIONS”**.
4. **INSPECTION.** The state or local gas inspector of the side wall horizontally vented gas fueled equipment shall not approve the installation unless, upon inspection, the inspector observes carbon monoxide detectors and signage installed in accordance with the provisions of 248 CMR 5.08(2)(a) 1 through 4.
  - (b) **EXEMPTIONS:** The following equipment is exempt from 248 CMR 5.08(2)(a)1 through 4:
    1. The equipment listed in Chapter 10 entitled “Equipment Not Required To Be Vented” in the most current edition of NFPA 54 as adopted by the Board; and
    2. Product Approved side wall horizontally vented gas fueled equipment installed in a room or structure separate from the dwelling, building or structure used in whole or in part for residential purposes.
  - (c) **MANUFACTURER REQUIREMENTS - GAS EQUIPMENT VENTING SYSTEM PROVIDED.** When the manufacturer of Product Approved side wall horizontally vented gas equipment provides a venting system design or venting system components with the equipment, the instructions provided by the manufacturer for installation of the equipment and the venting system shall include:
    1. Detailed instructions for the installation of the venting system design or the venting system components; and
    2. A complete parts list for the venting system design or venting system.
  - (e) A copy of all installation instructions for all Product Approved side wall horizontally vented gas fueled equipment, all venting instructions, all parts lists for venting instructions, and/or all venting design instructions shall remain with the appliance or equipment at the completion of the installation.

# INTRODUCTION

## Introduction

Always consult your local Building Department regarding regulations, codes or ordinances which apply to the installation of a direct vent wall furnace.

### Instructions to Installer

1. Installer must leave instruction manual with owner after installation.
2. Installer must have owner fill out and mail warranty card supplied with furnace.
3. Installer should show owner how to start and operate furnace and thermostat.

### Warning:

Any change to this furnace or its control can be dangerous. This is a heating appliance and any panel, door or guard removed for servicing an appliance must be replaced prior to operating the appliance.

### General Information

This furnace is design certified in accordance with American National Standard/CSA Standard Z21.86 and CSA 2.32 by the Canadian Standard Association, as a Gravity Direct Vent Wall Furnace to be installed on an outside wall according to these instructions.

Any alteration of the original design, installed other than as shown in these instructions or use with a type of gas not shown on the rating plate is the responsibility of the person and company making the change.

### Important

All correspondence should refer to complete Model No., Serial No. and type of gas.

Notice: During initial firing of this unit, its paint will bake out and smoke will occur. To prevent triggering of smoke alarms, ventilate the room in which the unit is installed.

## Installation in Residential Garages

Gas utilization equipment in residential garages shall be installed so that all burners and burner ignition devices are located not less than 18" (457mm) above the floor.

Such equipment shall be located, or protected, so it is not subject to physical damage by a moving vehicle.

### Qualified Installing Agency

Installation and replacement of gas piping, gas utilization equipment or accessories and repair and servicing of equipment shall be performed only by a qualified agency. The term "qualified agency" means any individual, firm, corporation or company which either in person or through a representative is engaged in and is responsible for (a) the installation or replacement of gas piping or (b) the connection, installation, repair or servicing of equipment, who is experienced in such work, familiar with all precautions required and has complied with all the requirements of the authority having jurisdiction.

State of Massachusetts: The installation must be made by a licensed plumber or gas fitter in the Commonwealth of Massachusetts.

The installation must conform with local codes or, in the absence of local codes, with the *National Fuel Gas Code ANSI Z223.1/NFPA 54\* Natural Gas and Propane Installation Code, CSA B149.1.*

*\*Available from the American National Standards Institute, Inc., 11 West 42nd St., New York, NY 10036.*

### High Altitudes

For altitudes/elevations above 2,000 feet (610m), input ratings should be reduced at the rate of 4 percent for each 1,000 (305m) feet above sea level. Canadian High Altitudes for locations having an elevation above mean sea level between 2,000 feet (610m) and 4,500 feet (1370m), the manifold pressure is to be decreased from 4.0" w.c. (.996kPa) to 3.2" w.c. (.796kPa) for Natural Gas and from 10.0" w.c. (2.49kPa) to 8.0" w.c. (1.992kPa) for Propane Gas.

# SPECIFICATIONS

Model	DV-25	DV-35
Input BTU/HR (KW/H)	25,000 (7.3)	35,000 (10.3)
Height	27 3/4" (705mm)	27 3/4" (705mm)
Width	37" (940mm)	37" (940mm)
Depth	11 1/2" (292mm)	11 1/2" (292mm)
Gas Inlet (Pipe)	1/2" (13mm)	1/2" (13mm)
<b>Accessories for the Above Furnaces</b>		
Blower Kit	DRB-1	DRB-1
Vinyl Siding Vent Kit	DV-822	DV-822
Vinyl Siding Vent Kit	VSK-2	VSK-2



# GAS SUPPLY

## Locating Gas Supply

The gas line can enter the unit either through the floor or outside wall. The gas line opening should be made at this time. Location of the opening will be determined by the position of floor joists and the valve and union used for servicing.

### Recommended Gas Pipe Diameter

Pipe Length	Schedule 40 Pipe Inside Diameter		Tubing, Type L Outside Diameter	
	Nat.	L.P.	Nat.	L.P.
0-10 feet 0-3 meters	1/2"	3/8"	1/2"	3/8"
10-40 feet 4-12 meters	1/2"	1/2"	5/8"	1/2"
40-100 feet 13-30 meters	1/2"	1/2"	3/4"	1/2"
100-150 feet 31-46 meters	3/4"	1/2"	7/8"	3/4"

**Note:** Never use plastic pipe. Check to confirm whether your local codes allow copper tubing or galvanized.

**Note:** Since some municipalities have additional local codes, it is always best to consult your local authority and installation code.

The use of the following gas connectors is recommended:

- ANS Z21.24 Appliance Connectors of Corrugated Metal Tubing and Fittings
- ANS Z21.45 Assembled Flexible Appliance Connectors of Other Than All-Metal Construction

The above connectors may be used if acceptable by the authority having jurisdiction. The state of Massachusetts requires that a flexible appliance connector cannot exceed three feet in length.

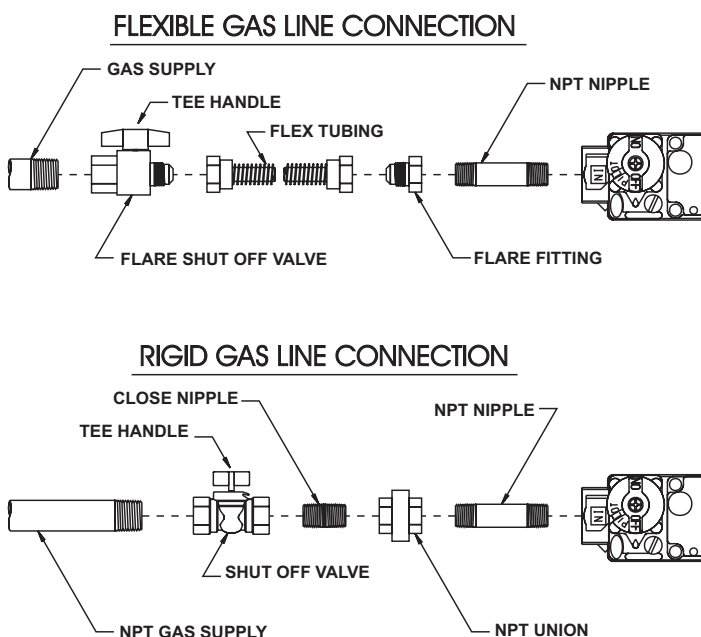


Figure 1

Consult the current National Fuel Gas Code, ANSIZ223.1 CAN/CGA-B149 (.1 or .2) installation code.

## Installing a New Main Gas Cock

Each appliance should have its own manual gas cock.

A manual main gas cock should be located in the vicinity of the unit. Where none exists, or where its size or location is not adequate, contact your local authorized installer for installation or relocation.

Compounds used on threaded joints of gas piping shall be resistant to the action of liquefied petroleum gases. The gas lines must be checked for leaks by the installer. This should be done with a soap solution watching for bubbles on all exposed connections, and if unexposed, a pressure test should be made.

Never use an exposed flame to check for leaks. Appliance must be disconnected from piping at inlet of control valve and pipe capped or plugged for pressure test. Never pressure test with appliance connected; control valve will sustain damage!

A gas valve and ground joint union should be installed in the gas line upstream of the gas control to aid in servicing. It is required by the National Fuel Gas Code that a drip line be installed near the gas inlet. This should consist of a vertical length of pipe tee connected into the gas line that is capped on the bottom in which condensation and foreign particles may collect.

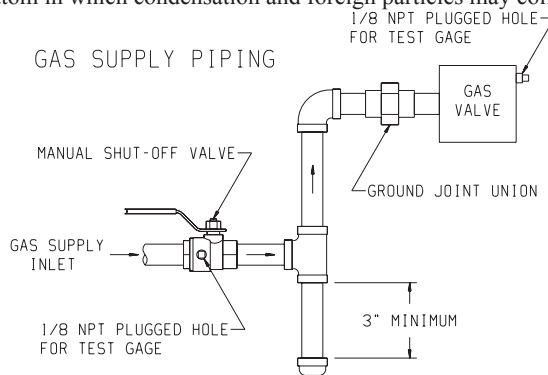


Figure 2

## Method of Installing a Tee Fitting Sediment Trap

### Pressure Testing of the Gas Supply System

1. To check the inlet pressure to the gas valve, a 1/8" (3mm) N.P.T. plugged tapping, accessible for test gauge connection, must be placed immediately upstream of the gas supply connection to the appliance.
2. The appliance and its individual shutoff valve must be disconnected from the gas supply piping system during any pressure testing of that system at test pressures in excess of 1/2 psig (3.5 kPa).
3. The appliance must be isolated from the gas supply piping system by closing its individual manual shutoff valve during any pressure testing of the gas supply piping system at test pressures equal to or less than 1/2 psig (3.5 kPa).

**Attention!** If one of the above procedures results in pressures in excess of 1/2 psig (14" w.c.) (3.5 kPa) on the appliance gas valve, it will result in a hazardous condition.

### Checking Manifold Pressure

Both Propane and Natural gas valves have a built-in pressure regulator in the gas valve. Natural gas models will have a manifold pressure of approximately 4.0" w.c. (.996kPa) at the valve outlet with the inlet pressure to the valve from a minimum of 5.0" w.c. (1.245kPa) for the purpose of input adjustment to a maximum of 10.5" w.c. (2.61kPa). Propane gas models will have a manifold pressure approximately 10.0" w.c. (2.49kPa) at the valve outlet with the inlet pressure to the valve from a minimum of 11.0" w.c. (2.739kPa) for the purpose of input adjustment to a maximum of 13.0" w.c. (3.237kPa).

A 1/8" (3mm) N.P.T. plugged tapping, accessible for test gauge connection, is located on the outlet side of the gas control.

# CLEARANCES

1. In selecting a location for installation, it is necessary to provide adequate accessibility clearances for servicing and proper installation.
2. Unit is supported by a wall bracket secured to the wall.
3. The minimum clearances from casing to combustible construction is 48" (121cm) on top, 6" (152mm) on each side and 4" (102mm) from the floor or from the top surface of carpeting, tile or other floor covering and 0" (0mm) to rear wall.
4. The minimum distance from the center of the vent cap to the nearest outside corner or obstruction is 24" (610mm).
5. The DV-25 and DV-35 minimum wall depth is 4 1/2" (114mm) (and the maximum is 13" (330mm)). The maximum wall depth may be extended to 19" (483mm) using the model DV-1190 extended flue kit. The use of tubes not supplied by the manufacturer results in unsatisfactory performance.

The vent terminal of a direct vent appliance, with an input of 50,000 (14.6 KW) BTU per hour or less shall be located at least 9" (229mm) from any opening through which flue gases could enter a building. The bottom of the vent terminal and the air intake shall be located at least 12" (305mm) above grade.

**WARNING:** The nearest point of the vent cap should be a minimum horizontal distant of six (6) (1.83m) feet from any pressure regulator. In case of regulator malfunction, the six (6) (1.83m) feet distance will reduce the chance of gas entering the vent cap.

# INSTALLATION INSTRUCTIONS

## Location of Furnace

Pick a location on an outside wall with a clear space of 28" (711mm) high by 49" (124cm) wide in the room.

## Locating Wall Opening

The furnace is to be located on an outside wall. Locate wall studs so that wall opening will be located between wall studs. The wall studs can be used for attachment of wall mounting bracket. The wall opening required as shown in Figure 3 is a diameter of 7 1/2 inches (191mm).

A template is provided in furnace carton for positioning furnace on the wall. Also, refer to Figure 3 for positioning the furnace on wall and for locating gas line connection.

Figure 3 will position the furnace four inches (102mm) off the floor. If it is desired to position the furnace higher on the wall, add the difference to the "A," "B" and "C" dimensions.

Note: The vent opening is not in the center of the furnace.

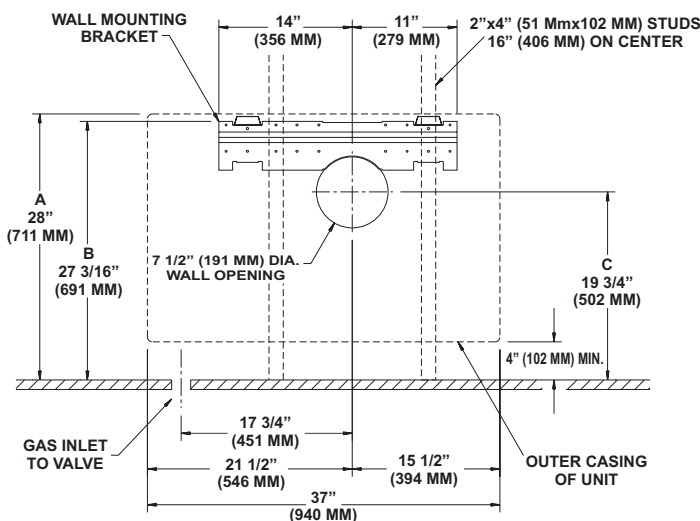


Figure 3

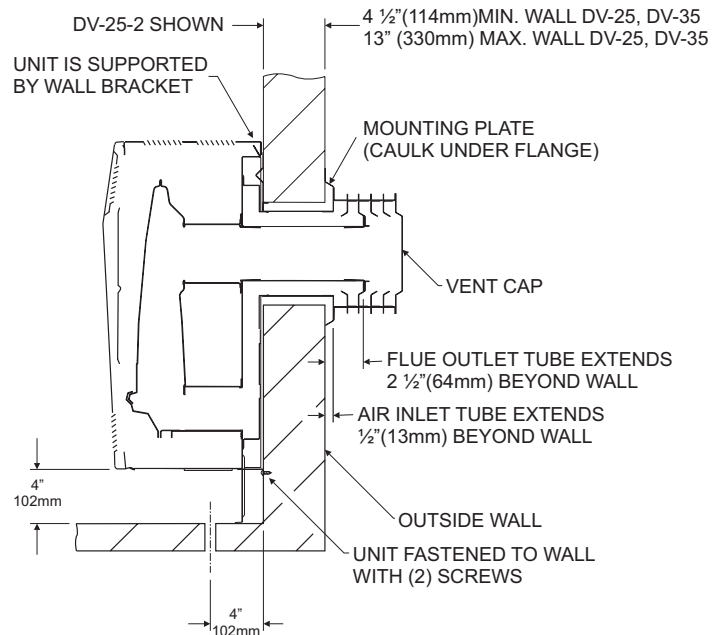


Figure 4

## Installing Wall Mounting Bracket

Locate and cut wall opening. If there is insulation above the wall opening (air inlet tube) a barrier should be installed above the wall opening (air inlet tube) to prevent insulation from coming in contact with the air inlet tube. The barrier must not penetrate into the 7 1/2" (191mm) diameter wall opening. Place the flat surface of the wall mounting bracket toward the wall. Insert half round flange of wall mounting bracket into and at the top of the wall opening. The half round flange of the wall mounting bracket must be in contact with the sheetrock or wood at the top of the wall opening. Level the wall mounting bracket in the wall opening.



# INSTALLATION INSTRUCTIONS (continued)

On solid wall, when using wall studs for attachment of wall mounting bracket, fasten wall mounting bracket to wall studs with (2) #10 x 1 1/2" (38mm) screws provided and fasten (2) additional #10 x 1 1/2" (38mm) screws provided through the wall mounting bracket and into the solid wall.

On sheet rock, when using wall studs for attachment of wall mounting bracket, fasten wall mounting bracket to wall studs with (2) #10 x 1 1/2" (38mm) screws provided and by using wall opening for access, fasten 2 additional #10 x 1 1/2" (38mm) screws and (2) Tinnerman nuts provided through the wall mounting bracket and into the sheet rock.

## Attaching Furnace To Wall Mounting Bracket

Hang furnace on wall mounting bracket by aligning (2) tabs on wall mounting bracket with (2) slots located on inner casing top.

The inner casing bottom is to be fastened to the wall. On solid wall, fasten inner casing bottom with (2) #10 x 1 1/2" (38mm) screws provided. On sheet rock wall, fasten inner casing bottom with (2) toggle bolts provided.

## Cutting Vent Tubes

This is the most important part of the installation. With the furnace installed on wall the 6" (152mm) diameter air inlet tube and the 4" (102mm) diameter flue outlet tube are to be marked and cut using the following procedure.

1. Attach 6" (152mm) diameter air inlet tube onto the collar of air drop assembly. Be sure 6" (152mm) diameter air inlet tube is placed as far as possible onto the collar of the air drop assembly. Mark the 6" (152mm) diameter air inlet tube 1/2" (13mm) beyond the outside wall. Remove 6" (152mm) diameter air inlet tube from collar of air drop assembly.
2. Attach 4" (102mm) diameter flue outlet tube onto flue outlet collar on combustion chamber. Be sure 4" (102mm) diameter flue outlet tube is placed as far as possible onto the collar of flue outlet. Mark the 4" (102mm) diameter flue outlet tube 2 1/2" (64mm) beyond the outside wall. Remove 4" (102mm) diameter flue outlet tube from collar of flue outlet on combustion chamber.
3. Mark or wrap tape completely around the tubes at the marked points to help in making a true cut. Do not crimp or enlarge tubes.

## Installing Vent Assembly

1. Place caulking (not provided) beneath the edge of the outside mounting plate. Use additional caulking to correct uneven wall surface, such as clapboard.
2. Attach 6" (152mm) diameter air inlet tube onto the collar of air drop assembly. Attach caulked, outside mounting plate into the 6" (152mm) diameter air inlet tube. Position the outside mounting plate so that 6" (152mm) diameter air inlet tube has a slight downward slope to the outside. The downward slope is necessary to prevent the entry of rainwater. Attach outside mounting plate to exterior wall with (4) #10 x 1 1/2" (38mm) screws provided.
3. Apply furnace cement to 4" (102mm) diameter flue outlet collar on combustion chamber and to 4" (102mm) diameter collar on vent cap. Attach 4" (102mm) diameter flue outlet tube onto flue outlet collar on combustion chamber. Attach vent cap into the 4"

(102mm) diameter flue outlet tube. Attach vent cap to outside mounting plate with (3) #10 x 1/2" (13mm) screws provided.

4. Installation is completed.

## Reassembly And Resealing Vent-Air Intake System

When vent-air intake system is removed for servicing the furnace, the following steps will assure proper reassembly and resealing of the vent-air intake assembly.

1. Remove old furnace cement from flue outlet collar on combustion chamber and collar of vent cap. Remove old furnace cement from both ends of 4" (102mm) diameter flue outlet tube.
2. Remove old caulking beneath the edge of the outside mounting plate. Apply new caulking beneath the edge of the outside mounting plate. Use additional caulking to correct uneven wall surface, such as clapboard.
3. Attach 6" (152mm) diameter air inlet tube onto the collar of air drop assembly. Attach caulked, outside mounting plate into the 6" (152mm) diameter air inlet tube. Position the outside mounting plate so that 6" (152mm) diameter air inlet tube has a slight downward slope to the outside. The downward slope is necessary to prevent the entry of rainwater. Attach outside mounting plate to exterior wall with (4) #10 x 1 1/2" (38mm) screws provided.
4. Apply furnace cement to 4" (102mm) diameter flue outlet collar on combustion chamber and to 4" (102mm) diameter collar on vent cap. Attach 4" (102mm) diameter flue outlet tube onto flue outlet collar on combustion chamber. Attach vent cap into the 4" (102mm) diameter flue outlet tube. Attach vent cap to outside mounting plate with (3) #10 x 1/2" (13mm) screws provided.
5. Reassembly and resealing vent-air intake system is completed.

## Installing a Vent Near a Window Ledge, Other Type of Projection or on Siding (vinyl, aluminum, etc.)

Direct vent furnaces are designed to be installed on a uniform outside wall. When the wind comes from any angle (up, down or from either side), it must hit the vent cap equally over both the air inlet and the flue outlet portions of the vent. Any wall projection, such as a door or window casing, which disturbs the wind on one side of the air inlet section will result in back pressure on the flue section smothering the flame and eventual pilot outage.

When the vent cap is to be installed on siding or it appears that a projection within 6" (152mm) of any side of the air inlet section could shield the air inlet section, the entire vent should be supported away from the wall at least the distance of the projection. 2" x 4" (51mm x 102mm) framing whose outside dimensions match the overall dimensions of the mounting plate is recommended. The 2" x 4" (51mm x 102mm) framing protects siding from possible warpage or discoloration. All joints can then be sealed and painted. The wall depth plus the additional depth of the 2" x 4" (51mm x 102mm) framing should not exceed a total depth of 13" (330mm) for DV-25 and DV-35. (See Figure 5)

Vinyl siding vent kit, DV-822, is available from Empire Comfort Systems, Inc. The depth is 3" (76mm), which enables the vent cap to be extended away from siding or projections. The wall depth plus the additional 3" (76mm) depth of the vinyl siding vent cap extension should not exceed a total depth of 13" (330mm) for DV-25 and DV-35. (See Figure 5a)

# INSTALLATION INSTRUCTIONS (continued)

**Warning:** When vinyl siding vent kit, DV-822 or 2" x 4" (51mm x 102mm) framing is added to an existing installation (furnace is installed) do not attempt to add sections of pipe to the flue outlet tube or air inlet tube. An air tight seal is required for both tubes. Refer to Parts List, page 16 to order tubes.

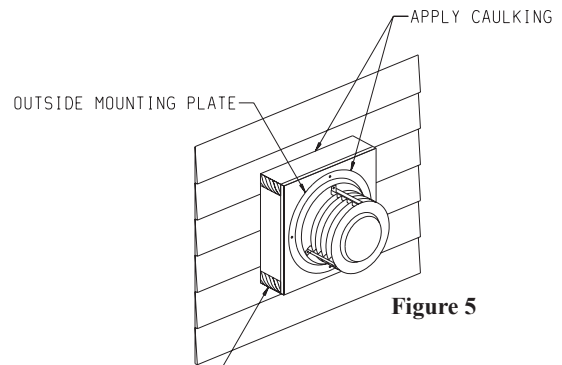


Figure 5

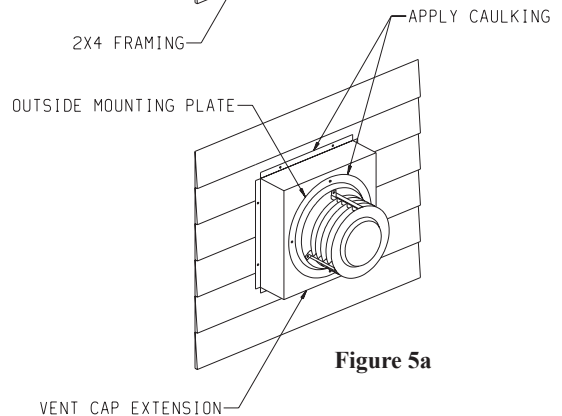


Figure 5a

## THERMOSTAT LOCATION

Millivolt wall thermostats are specially designed for use on self-generating systems. They should never be used on line or low voltage A.C. circuits.

**Interior Wall** - The thermostat can be installed on an inside wall.

**Thermostat Bracket** - The thermostat can also be attached to the unit with the provided bracket.

1. Determine which side of the unit the thermostat will be secured to.
2. Remove the front of the thermostat.
3. Attach thermostat to the bracket using the two (2) screws provided. See Figure 6. Replace the front of the thermostat.

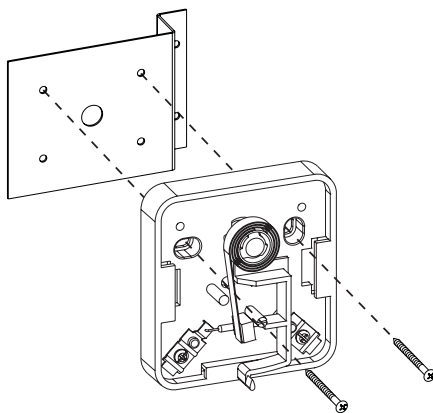
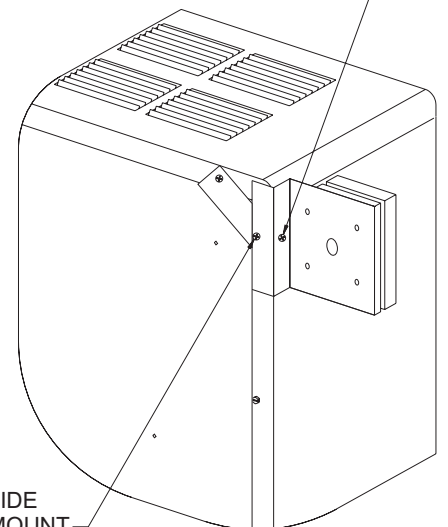


Figure 6

4. If installing the thermostat bracket after the unit has been installed, drill a hole in the side of the unit as shown in Figure 7. and attach the bracket with a screw (not provided). If installing the thermostat bracket before the unit is installed, use the existing screw on the back of the unit to attach the bracket to the unit as shown in Figure 7.

IF BRACKET IS INSTALLED AFTER UNIT IS IN PLACE, DRILL HOLE INTO CASING SIDE AND ATTACH HERE.



USE THIS EXISTING SCREW (ON EITHER SIDE OF THE HEATER) TO MOUNT BRACKET IF INSTALLING BEFORE UNIT IS AGAINST THE WALL.

PARTIAL VIEW OF LEFT REAR CORNER

Figure 7

# THERMOSTAT LOCATION (continued)

**Wire Gauges** - It is important to use wire of a gauge proper for the length of the wire:

RECOMMENDED WIRE GAUGES	
<i>Maximum Length</i>	<i>Wire Gauge</i>
1' to 10'	18
10' to 25'	16
25' to 35'	14

Proper operation depends on a good pilot flame. The flame must cover the top of the thermopile. Cleaning of the pilot orifice and burner may be required due to spiders.

## System Check (Figure 8)

A millivolt meter is required to check the system. Millivolt readings should be:

- Across the thermopile terminals, 400-450 millivolts with thermostat OFF.
- Across the thermopile terminals, 150-250 millivolts with thermostat ON.
- Across the thermostat wires at the valve, less than 30 millivolts with thermostat ON.
- Across the thermostat wires at the thermostat, less than 5 millivolts with thermostat ON. (Strong winds, dirty pilot and low pressure will reduce readings.)

## Piezo Pilot Ignitor Instructions

Depressing the red button completely causes a spark to occur at the pilot. This is a substitute for a match which requires opening the pilot hole cover.

To light the pilot, it is important that the electrode be 1/8" (3mm) from the thermopile. The spark must occur at the point the burner flame hits the thermopile. The end of the electrode will be red hot with the pilot on.

On a new installation with air in the gas line, it is suggested that a match be used. The match will light the pilot faster than the piezo under this condition.

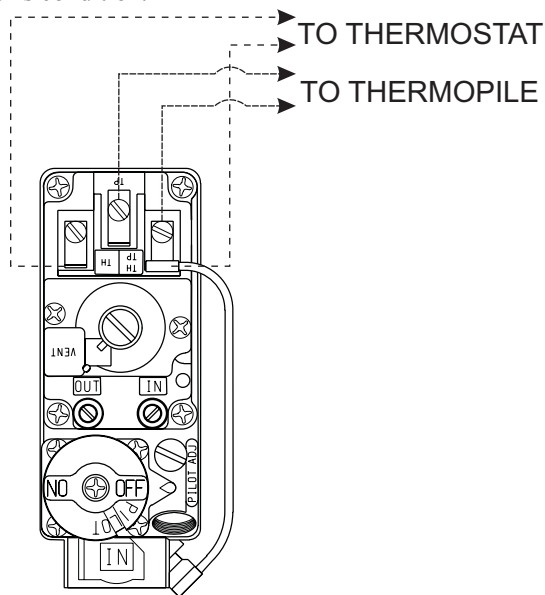


Figure 8


# LIGHTING INSTRUCTIONS

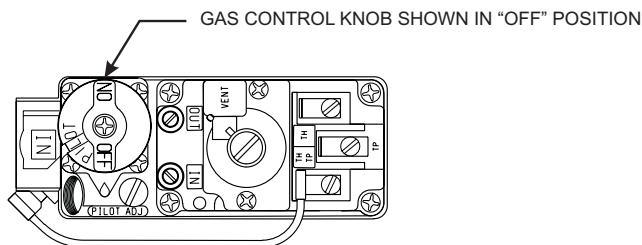
## FOR YOUR SAFETY READ BEFORE LIGHTING

**WARNING:** If you do not follow these instructions exactly, a fire or explosion may result causing property damage, personal injury or loss of life.

- A. This appliance has a pilot which must be lighted by hand. When lighting the pilot, follow these instructions exactly.
- B. BEFORE LIGHTING smell all around the appliance area for gas. Be sure to smell next to the floor because some gas is heavier than air and will settle on the floor.  
WHAT TO DO IF YOU SMELL GAS
  - Do not try to light any appliance.
  - Do not touch any electrical switch; do not use any phone in your building.
  - Immediately call your gas supplier from a neighbor's phone. Follow the gas supplier's instructions.
  - If you cannot reach your gas supplier, call the fire department.
- C. Use only your hand to push in or turn the gas control knob. Never use tools. If the knob will not push in or turn by hand, don't try to repair it; call a qualified service technician. Force or attempted repair may result in a fire or explosion.
- D. Do not use this appliance if any part has been under water. Immediately call a qualified service technician to inspect the appliance and to replace any part of the control system and any gas control which has been under water.

# LIGHTING INSTRUCTIONS



1. STOP! Read the safety information above.
2. Set the thermostat to lowest setting.
3. Turn off all electric power to the appliance (if applicable).
4. Remove casing front assembly.
5. Push in gas control knob slightly and turn clockwise  to "OFF".




NOTE: Knob cannot be turned from "PILOT" to "OFF" unless knob is pushed in slightly. Do not force.

6. Wait ten (10) minutes to clear out any gas. Then smell for gas, including near the floor. If you smell gas, STOP! Follow "B" in the safety information above. If you don't smell gas, go to the next step.
7. Remove the pilot access cover located on the combustion chamber.
8. Find pilot - follow metal tube



9. Turn knob on gas control counterclockwise  to "PILOT."
10. Push in control knob all the way and hold in. Immediately light the pilot with the Piezo Pilot Ignitor or a match. Continue to hold the control knob in for about one (1) minute after the pilot is lit. Release knob, and it will pop back up. Pilot should remain lit. If it goes out, repeat steps 5 through 10.
  - If knob does not pop up when released, stop and immediately call your service technician or gas supplier.
  - If the pilot will not stay lit after several tries, turn the gas control knob to "OFF" and call your service technician or gas supplier.
11. Replace pilot access cover.
12. Turn gas control knob counterclockwise  to "ON."
13. Replace casing front assembly.
14. Turn on all electric power to the appliance (if applicable).
15. Set thermostat to desired setting.
16. CAUTION: Pilot access cover must be kept tightly closed during operation.

## TO TURN OFF GAS TO APPLIANCE

1. Set the thermostat to lowest setting.
2. Turn off all electric power to appliance if service is to be performed (if applicable).
3. Remove casing front assembly.
4. Push in gas control knob slightly and turn clockwise  to "OFF." Do not force.
5. Replace casing front assembly.

# PILOT FLAME CHARACTERISTICS

The correct flame will be almost horizontal, blue and will extend past the thermopile 1/4" (6mm). The flame will surround the thermopile just below the tip.

On propane (LP-gas) slight yellow might occur where the pilot flame and burner flame meet.

Natural gas pilots require adjusting when the inlet pressure is above 5" w.c. (1.25kPa) Turn adjustment screw clockwise to reduce flame.

Propane (LP-gas) will not require adjusting.

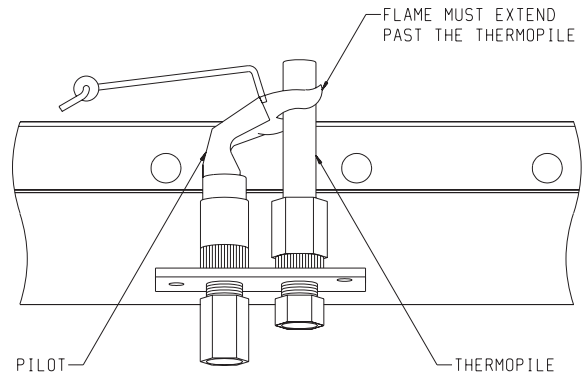


Figure 9

# MAIN BURNER FLAME CHARACTERISTICS

There will be a short blue inner flame with a much larger lighter blue secondary flame. The burner flame may have a yellow tip when hot. See the burner drawing showing the approximate heights of each part of the flame. Dust in the combustion air will produce an orange or red flame. Do not mistake the orange or red flame for an improper yellow flame. After use, cleaning may be required for the proper flame.

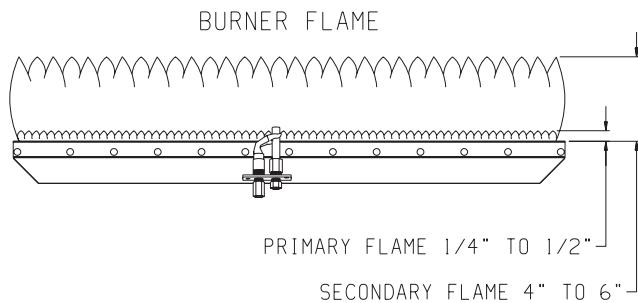


Figure 10

## Primary Air Adjustment (Figure 11)

An air adjustment bolt is located on the chamber support bottom. The four inch (102mm) clearance between the furnace and the floor allows access to the air adjustment bolt. The air adjustment bolt is above the rectangular opening on the inner casing bottom.

On Propane gas, if a whistling noise (resonance) occurs, screw air adjustment bolt into the chamber support in order to reduce the

amount of primary air. If the whistling noise (resonance) is not eliminated when the air adjustment bolt is screwed into the chamber support this may indicate the air adjustment bolt is misaligned. Grasp air adjustment bolt and pivot (push) air adjustment bolt away from yourself. Observe the main burner flame as you push air adjustment bolt and when the main burner flame begins to develop a yellow flame, you should stop pushing on the air adjustment bolt. Screw air adjustment bolt out of the chamber support until the yellow flame on the main burner is eliminated. The air adjustment bolt should now be properly aligned. The reduction in primary air will soften the main burner flame and will eliminate the whistling noise (resonance).

On Propane or Natural gas, if a yellow flame occurs, screw air adjustment bolt out of the chamber support but do not completely remove air adjustment bolt from chamber support. The repositioning of the air adjustment bolt will increase the amount of primary air. The increase in primary air will sharpen the main burner flame and will eliminate the yellow flame.

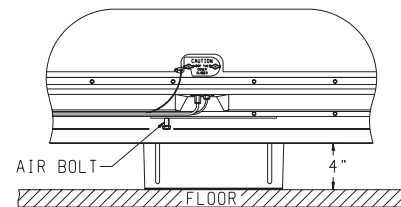


Figure 11



# MAINTENANCE

## Removing Main Burner

1. Disconnect the thermopile and pilot supply line at the pilot burner.
2. Remove the burner compartment cover.
3. Remove orifice shield.
4. Remove bolt on each side of burner and lift out.

## Cleaning Main Burner

The main burner may be cleaned by forcing water into the ports and the throat of the burner. The main burner should be blown dry or heated to remove water from main burner.

## Removing Main Burner Orifice

1. Open the brass union located after the gas valve.
2. Loosen valve bracket.
3. Remove the 3/8" (10mm) manifold pipe that is attached to the union elbow until the manifold pipe is free.
4. The main burner orifice is at the end of the manifold pipe.

## Removing Pilot Orifice

1. Disconnect the pilot supply line at the pilot burner.
2. Remove pilot orifice from pilot burner. It may be necessary to tap on pilot burner in order to remove the pilot orifice.

## Cleaning Pilot Orifice

After use, cleaning of the pilot burner may be required for the proper flame. Also, cleaning of the pilot burner may be required due to spiders (spider webs). The pilot orifice can be cleaned with high pressure air or by placing under running water. Pilot orifice must be dry before replacement. Use a pipe cleaner to clean inside the pilot after the pilot orifice has been removed.

## Cleaning Combustion Chamber

When the main burner and vent cap are removed, all internal areas of the combustion chamber are accessible for cleaning with a vacuum hose.

# TROUBLESHOOTING

1. Lit match goes out as it enters lighter port.
  - a. Certain wind conditions will blow out match. Ignite match, and as it flares, thrust match through opening.
  - b. Open nearby door or window and relight pilot.
2. Pilot flames but goes out when knob is released.
  - a. See Lighting Instructions. Relight Pilot.
  - b. Relight the pilot and hold knob down longer and harder. Close lighter hole cover just after igniting. Check for a good pilot flame.
  - c. Defective thermopile or defective magnet in safety section of valve. Replace.
3. Yellow pilot flame
  - a. Obstruction at pilot orifice.
  - b. Clean pilot orifice.
4. Pilot and main burner go out during normal operation.
  - a. Check millivolts.
  - b. Check for proper size of pilot flame.
  - c. Check for defective or weak thermopile.
  - d. Check input, reduce as needed.
  - e. Cover on pilot lighter hole must be air tight.
  - f. Check for tight fit of air and flue tubes at both ends of vent assembly. No obstruction around vent that would prevent the wind from hitting all of the vent equally.
5. Thermostat does not turn the main burner on.
  - a. Check wiring.
  - b. Check all millivolt readings.
  - c. Check for spider in main burner orifice.
6. Yellow main burner flame soot on the vent cap.
  - a. See Page 13, "Primary Air Adjustment".
  - b. Remove main burner to check for obstructions in throat and ports.
  - c. Install new main burner orifice and pilot orifice. Refer to Parts List, page 16.
7. On Propane gas, if a whistling noise (resonance) occurs.
  - a. See Page 13, "Primary Air Adjustment".
  - b. Reduce manifold pressure.
  - c. Size main burner orifice with a drill bit. For DV-25 use #54 drill bit. For DV-35 use #50 drill bit.



# MASTER PARTS DISTRIBUTOR LIST

To Order Parts Under Warranty, please contact your local Empire dealer. See the dealer locator at [www.empirecomfort.com](http://www.empirecomfort.com). To provide warranty service, your dealer will need your name and address, purchase date and serial number, and the nature of the problem with the unit.

To Order Parts After the Warranty Period, please contact your dealer or one of the Master Parts Distributors listed below. This list changes from time to time. For the current list, please click on the Master Parts button at [www.empirecomfort.com](http://www.empirecomfort.com).

Please note: Master Parts Distributors are independent businesses that stock the most commonly ordered Original Equipment repair parts for Heaters, Grills, and Fireplaces manufactured by Empire Comfort Systems Inc.

**Star-Fire Distributors**

1355 Evans Avenue  
Akron, OH 44305

**Phone:** 330-630-2794

**Toll Free:** 800-875-6220

**Fax:** 330-633-8701

**Parts: Heater & Hearth and Grills**

**Dey Distributing**

1401 Willow Lake Boulevard  
Vadnais Heights, MN 55101

**Phone:** 651-490-9191

**Toll Free:** 800-397-1339

**Website:** [www.deydistributing.com](http://www.deydistributing.com)

**Parts: Heater & Hearth**

**East Coast Energy Products**

10 East Route 36  
West Long Branch, NJ 07764

**Phone:** 732-870-8809

**Toll Free:** 800-755-8809

**Fax:** 732-870-8811

**Website:** [www.eastcoastenergy.com](http://www.eastcoastenergy.com)

**Parts: Heater & Hearth and Grills**

**Victor Division of F. W. Webb Company**

200 Locust Street  
Hartford, CT 06114

**Phone:** 860-722-2433

**Toll Free:** 800-243-9360

**Fax:** 860-293-0479

**Toll Free Fax:** 800-274-2004

**Websites:** [www.fwwebb.com](http://www.fwwebb.com) & [www.victormfg.com](http://www.victormfg.com)

**Parts: Heater & Hearth and Grills**

## HOW TO ORDER REPAIR PARTS

**Parts Not Under Warranty**

Parts can be ordered through your Service Person, Dealer, or a Master Parts Distributor. See this page for the Master Parts Distributors list. For best results, the **service person or dealer** should order parts through the distributor. Parts can be shipped directly to the **service person/dealer**.

**Warranty Parts**

Warranty parts will need a proof of purchase and can be ordered by your Service Person or Dealer. Proof of purchase is **required** for warranty parts.

All parts listed in the Parts List have a Part Number. When ordering parts, first obtain the Model Number and Serial Number from the name plate on your equipment. Then determine the Part Number (**not** the Index Number) and the Description of each part from the following illustration and part list. Be sure to give all this information . . .

Appliance Model Number \_\_\_\_\_ Part Description \_\_\_\_\_  
 Appliance Serial Number \_\_\_\_\_ Part Number \_\_\_\_\_  
 Type of Gas (Propane or Natural) \_\_\_\_\_

Do not order bolts, screws, washers or nuts. They are standard hardware items and can be purchased at any local hardware store.

Shipments contingent upon strikes, fires and all causes beyond our control.

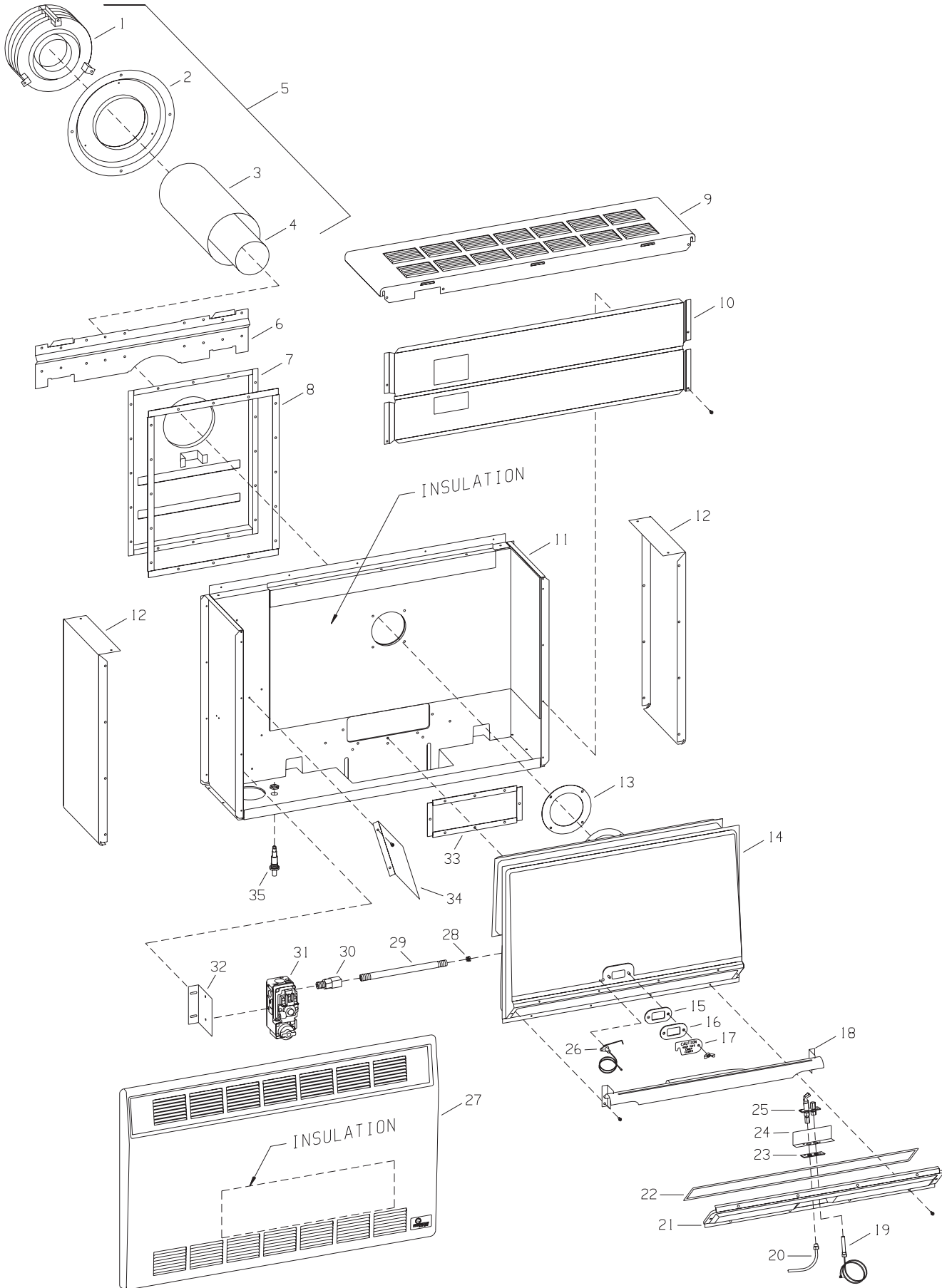
# PARTS LIST

PLEASE NOTE: When ordering parts, it is very important that part number and description of part coincide.

Index No.	Part No.	Description	Index No.	Part No.	Description
1	DV-769	Vent Cap	24	DV-994	Pilot Shield
2	DV-131	Outside Mounting Plate	25	R-2224	Pilot Burner with Orifice (Nat)
3	DV-548	Air Inlet Tube	25	R-2223	Pilot Burner with Orifice (LP)
4	DV-524	Flue Outlet Tube	26	DV-772	Electrode and Wire
5	DV-757	Vent Kit	27	DV-913	Casing Front
6	DV-899	Wall Mounting Bracket	28	742155	Burner Orifice, (DV-25 Nat)
7	DV-900	Inlet Air Drop Chute	28	742238	Burner Orifice, (DV-25 LP)
8	DV-762 & DV-763	Gasket - Air Drop Chute (2 Each Required)	28	P-86-38	Burner Orifice, (DV-35 Nat)
9	DV-951	Casing Top	28	742233	Burner Orifice, (DV-35 LP)
10	DV-901	Heat Shield	29	P-190	Manifold
11	DV-902	Inner Casing (US version)	30	R-191	Manifold Union Assembly
11	15665	Inner Casing (Canada version)	31	R-5600	Gas Valve (Nat) 7000 MVRLC
12	RH-705	Casing Side (2 Required)	31	R-5601	Gas Valve (LP) 7000 MVRLC
13	712036	Gasket - Flue Outlet Support	32	DV-1003	Valve Bracket
14	DV-903	Combustion Chamber (DV-25)	33	DV-764 & DV-765	Gasket - Chamber Support (2 Each Required)
14	DV-904	Combustion Chamber (DV-35)	34	DV-908	Valve Shield
15	712098	Gasket - Lighting Hole	35	R-2708	Piezo Ignitor
16	DV-781	Lighting Hole Cover Assembly with Clear Mica	Not Shown	742158	Pilot Orifice (Nat)
17	DV-064	Cover Plate	Not Shown	742266	Pilot Orifice (LP)
18	DV-988	Burner (DV-25)	Not Shown	662021	Wall Thermostat - Millivolt
18	DV-990	Burner (DV-35)	Not Shown	DV-885	Hardware Package
19	672063	Thermopile	Not Shown	922113	Operator Section - Nat
20	DV-1004	Pilot Tubing w/Ferrells	Not Shown	922217	Operator Section - LP
21	RH-238	Burner Door	Not Shown	652121	Regulator - Nat
22	DV-778	Gasket - Burner Door	Not Shown	652211	Regulator - LP
23	712051	Gasket - Pilot Burner	Not Shown	13298	Thermostat Bracket

USE ONLY MANUFACTURER'S REPLACEMENT PARTS. USE OF ANY OTHER PARTS COULD CAUSE INJURY OR DEATH.

# PARTS VIEW



# OPTIONAL BLOWER INSTALLATION INSTRUCTIONS

## OPTIONAL BLOWER DRB-1

### Vented Room Heaters RH-25-(1, 2, 4, 5, 6) and RH-35-(1, 2, 4, 5, 6) Direct Vent Wall Furnaces DV-25-(1, 2)SG and DV-35-(1, 2)SG

#### Installing Optional DRB-1 Blower

1. For RH-25-(1, 2, 4, 5, 6) and RH-35-(1, 2, 4, 5, 6), remove casing front.
1. For DV-25-(1, 2)SG and DV-35-(1, 2)SG, remove casing front and heat shield.
2. When facing appliance, insert blower assembly into the left section of the casing (adjacent to the combustion chamber).
3. For RH-25-(1, 2, 4, 5, 6) and RH-35-(1, 2, 4, 5, 6), route cord set through opening in casing back. The opening in casing back is located adjacent to gas control.
3. For DV-25-(1, 2)SG and DV-35-(1, 2)SG, route cord set through opening in casing bottom. The opening in casing bottom is located beneath gas control.
4. Align the (2) screw holes on the inner side panel and the (2) screw holes on casing back with the (4) clearance holes on the blower assembly. Attach blower assembly to the casing back and inner side panel with (4) #10 x 1/2" (13mm) screws provided. The blower assembly must be attached first to the casing back and then to the casing side panel.
5. For RH-25-(1, 2, 4, 5, 6) and RH-35-(1, 2, 4, 5, 6), replace casing front.
5. For DV-25-(1, 2)SG and DV-35-(1, 2)SG, replace heat shield and casing front.

Attention: Wiring harness on blower is factory assembled and installed. If wiring harness becomes disassembled use the following steps to reassemble the wiring harness.

1. Attach (1) pin terminal from black (hot) wire, smooth insulation on cord set to (1) socket terminal on fan control assembly.
2. Attach (1) pin terminal from black (neutral) wire, ribbed insulation on cord set to (1) socket terminal from white (neutral) wire on motor.
3. Attach (1) pin terminal on fan control assembly to (1) socket terminal from black (hot) wire on motor.
4. Attach green ground wire beneath one of the #10 x 1/2" (13mm) screws on the blower housing.

#### Fan Control

The automatic fan control is located in the switch box. The switch box is attached to the front of the blower assembly. The switch box is adjacent to the combustion chamber. The fan control is a non-adjustable automatic type. The fan control will require between 5 and 10 minutes of main burner operation before the fan control "closes" and activates the blower. The blower will continue to run between 5 and 10 minutes after the main burner shuts off, before the fan control "opens" and deactivates the blower.

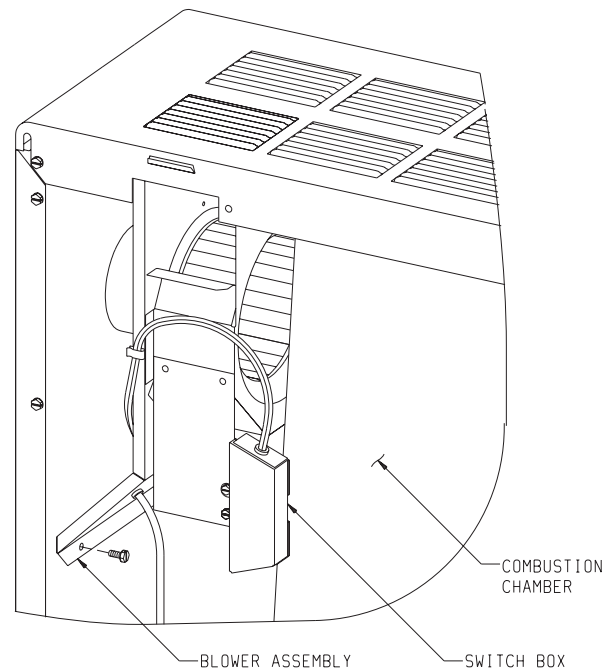
#### Wiring

The appliance, when installed, must be electrically grounded in

accordance with local codes or, in the absence of local codes, with the National Electrical Code, ANSI/NFPA 70 or Canadian Electrical Code, CSA C22.1, if an external electrical source is utilized. This appliance is equipped with a three-prong [grounding] plug for your protection against shock hazard and should be plugged directly into a properly grounded three-prong receptacle. Do not cut or remove the grounding prong from this plug. For an ungrounded receptacle, an adapter, which has two prongs and a wire for grounding, can be purchased, plugged into the ungrounded receptacle and its wire connected to the receptacle mounting screws. With this wire completing the ground, the appliance cord plug can be plugged into the adapter and be electrically grounded.

**CAUTION:** Label all wires prior to disconnection when servicing controls. Wiring errors can cause improper and dangerous operation. Verify proper operation after servicing.

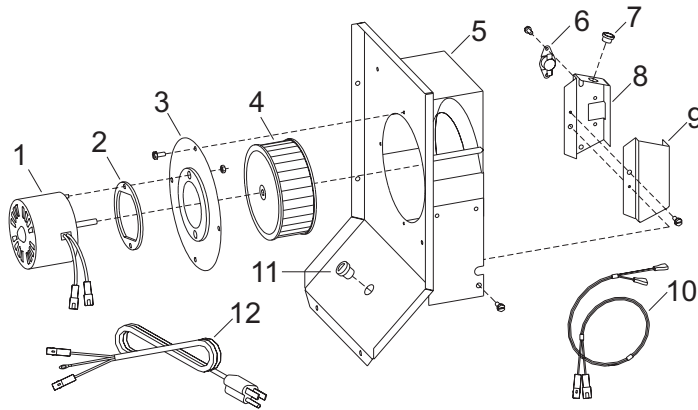
**WARNING:** Unplugging of blower accessory will not stop the heater from cycling. To shut heater off: Turn temperature dial or thermostat to lowest setting. Turn knob on gas control to "OFF", depressing slightly. Do not force.



# OPTIONAL BLOWER INSTALLATION INSTRUCTIONS (continued)

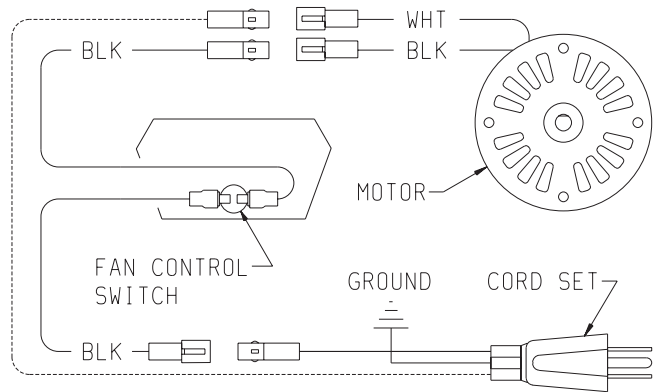
## Cleaning

The blower wheel will collect lint and could require cleaning once a year. If the air output decreases or the noise level increases, it indicates a dirty wheel. Complete removal of the wheel and scrubbing it with a brush under flowing water is recommended.



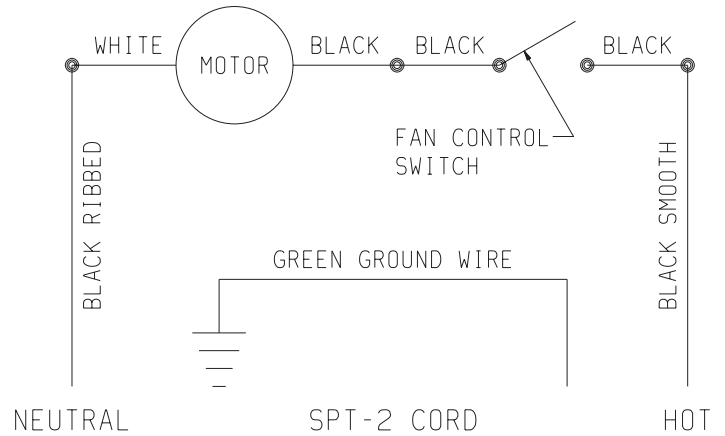
### PARTS LIST

Index No.	Part No.	Description
1	R-2090	Motor
2	632016	Motor Cushion
3	RH-036	Motor Support
4	642030	Blower Wheel
5	RH-710	Blower Housing Assembly
6	9120106	Fan Control Switch
7	872087	Heyco Bushing
8	DV-806	Switch Box
9	DV-807	Switch Box Cover
10	R-2091	Wire Assembly 19" (483mm)
11	8720161	Heyco Bushing
12	R-2099	Cord Set 72" (1.83m)



————— BLACK HOT-SMOOTH INSULATION  
 - - - - - BLACK NEUTRAL-RIBBED INSULATION

IF ANY OF THE ORIGINAL WIRE AS SUPPLIED WITH THIS UNIT MUST BE REPLACED, IT MUST BE REPLACED WITH 125°C 2/64 INSULATION WIRE OR ITS EQUIVALENT.





Empire Comfort Systems Inc.  
918 Freeburg Ave. Belleville, IL 62220

If you have a general question about our products, please e-mail us at  
[info@empirecomfort.com](mailto:info@empirecomfort.com).

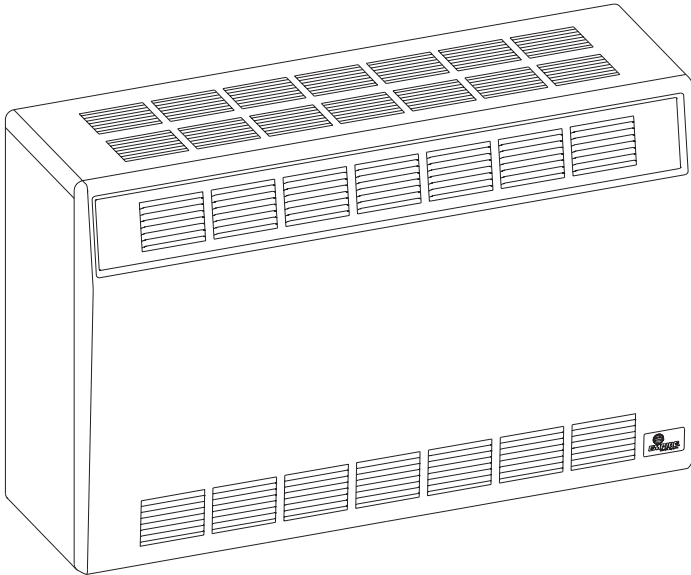
If you have a service or repair question, please contact your dealer.

[www.empirecomfort.com](http://www.empirecomfort.com)





# INSTRUCTIONS POUR L'INSTALLATION ET MANUEL DU PROPRIÉTAIRE



## RADIATEUR MURAL À ÉVACUATION DIRECTE PAR GRAVITÉ

MODÈLES  
DV-25-2SG  
DV-35-2SG



**AVERTISSEMENT:** Assurez vous de bien suivre les instructions données dans cette notice pour réduire au minimum le risque d'incendie ou d'explosion ou pour éviter tout dommage matériel, toute blessure ou la mort.

- Ne pas entreposer ni utiliser d'essence ni d'autres vapeurs ou liquides inflammables dans le voisinage de cet appareil ou de tout autre appareil.
- **QUE FAIRE SI VOUS SENTEZ UNE ODEUR DE GAZ:**
  - Ne pas tenter d'allumer d'appareil.
  - Ne touchez a aucun interrupteur. Ne pas vous servir des téléphones se trouvant dans le bâtiment où vous vous trouvez.
  - Appelez immédiatement votre fournisseur de gaz depuis un voisin. Suivez les instructions du fournisseur.
  - Si vous ne pouvez rejoindre le fournisseur de gaz, appelez le service des incendies.
- L'installation et l'entretien doivent être assurés par un installateur ou un service d'entretien qualifié ou par le fournisseur de gaz.

Installateur: Laissez cette notice avec l'appareil.  
Consommateur: Conservez cette notice pour consultation ultérieure.

Cet appareil doit être installé dans une maison préfabriquée (E. U. seulement) ou mobile déjà installée à demeure si les règlements locaux le permettent.

Cet appareil doit être utilisé uniquement avec le type de gaz indiqué sur la plaque signalétique. Cet appareil ne doit pas être utilisé avec d'autres gaz sauf si une trousse de conversion certifiée est fournie.

**AVERTISSEMENT:** Si l'installation, l'usage et l'entretien de ce produit ne sont pas faits selon les instructions du fabricant, ce produit peut vous exposer à des matières contenues dans le carburant ou provenant de la combustion du carburant lesquelles peuvent causer la mort ou de sérieuses maladies.

# TABLE DES MATIÈRES

SECTION	PAGE
Importante Information de Sécurité .....	3
Information de Sécurité pour les Utilisateurs de Propane .....	4
Introduction .....	5
Spécifications.....	5
Alimentation en Gaz.....	6
Espaces Libres .....	7
Évacuation .....	7
Instructions pour L'Installations .....	7-9
Emplacement du Thermostat .....	9
Instructions d'Allumage.....	10
Aspect Convenable de la Flamme de la Veilleuse.....	11
Aspect Convenable de la Flamme du Brûleur Principal .....	11
Maintenance .....	11
Détection des Défectuosités .....	12
Façon de Commander les Pièces de Réparation.....	13
Listes des Pièces.....	13
Vue des Pièces .....	14
Instructions pour l'Installation de la Soufflerie Facultative .....	15
Notes de Service.....	16

# IMPORTANTE INFORMATION DE SÉCURITÉ

## CECI EST UN APPAREIL DE CHAUFFAGE

NE PAS FAIRE FONCTIONNER CET APPAREIL SANS QUE LA PAROI FRONTALE SOIT INSTALLÉE.

- A cause des hautes températures, cet appareil doit être situé dans un endroit non achalandé et loin des meubles et des rideaux.
- Les enfants et les adultes doivent être avisés des dangers des parois très chaudes et doivent rester loin pour éviter les brûlures ou l'allumage des vêtements.
- Les petits enfants doivent être surveillés étroitement lorsqu'ils sont dans le même appartement que l'appareil.
- Les vêtements ou d'autres matériaux inflammables ne doivent pas être placés sur ou près de l'appareil.
- Tout écran de sûreté qui est enlevé lors de la réparation d'un appareil, doit être replacé avant de remettre en marche cet appareil.
- Garder propre le brûleur et le compartiment de contrôle.
- Le capuchon de l'évent est chaud lorsque le radiateur est en fonction.
- L'installation et la réparation doit être faite par une PERSONNE QUALIFIÉE. L'appareil doit être inspecté avant l'usage et au moins une fois par année, par une personne qualifiée. S'il y a un excès de poussière venant du tapis, de la literie, etc..., de fréquents nettoyages seront requis.

Il est impératif que les compartiments de commandes, les brûleurs et les passages de circulation d'air de l'appareil soient gardés propres.

- NE RIEN mettre autour du radiateur qui pourrait obstruer le débit de combustion et la ventilation d'air.
- Les matériaux combustibles, la gazoline ou les vapeurs et liquides inflammables ne doivent jamais être dans le même endroit que le radiateur.
- Examiner périodiquement le système de ventilation et remplacer les pièces défectueuses.
- Faire périodiquement une inspection visuelle de la veilleuse et du brûleur. Nettoyer et remplacer les pièces défectueuses.
- AVERTISSEMENT: Le couvercle pour l'accès à la veilleuse doit toujours être gardé hermétiquement fermé lors du fonctionnement.
- Ne pas utiliser ce radiateur s'il y a une pièce qui a été en contact avec l'eau. Appeler immédiatement un technicien qualifié pour inspecter le radiateur et remplacer toute pièce du système de commande et les commandes de gaz qui ont été en contact avec l'eau.

# INFORMATION DE SÉCURITÉ POUR LES UTILISATEURS DE PROPANE

Le propane est un gaz inflammable qui peut causer des feux et des explosions. Dans son état naturel, le propane est inodore et sans couleur. Peut-être que vous ne connaissez pas toutes les précautions décrites ci-dessous? Elles peuvent vous protéger ainsi que votre famille contre un accident. Lisez-les attentivement dès maintenant, puis réexaminez

les, point par point avec les membres de votre famille. Un jour, lorsqu'il n'y aura pas une minute à perdre, la sécurité de chacun dépendra de votre savoir-faire. Si après avoir lu les informations suivantes, vous pensez avoir besoin de plus amples informations, s'il vous plaît contactez votre fournisseur de gaz.

## AVERTISSEMENT À PROPOS DE L'ODEUR DU PROPANE

Si une fuite de gaz survient, vous devriez sentir le gaz parce qu'il y a une odeur incorporée au propane.

C'est le signal que vous devez agir immédiatement.

- N'utiliser pas les interrupteurs électriques, n'allumer pas des allumettes ou n'utiliser pas le téléphone. Ne rien faire qui pourrait enflammer le gaz.
- Évacuer tout le monde du bâtiment, des véhicules et des lieux. Faire ceci IMMÉDIATEMENT.
- Fermer toutes les soupapes d'approvisionnement des réservoirs et des bouteilles de gaz.
- Le propane est plus pesant que l'air et peut s'accumuler dans des endroits bas comme les soubassements. Lorsque vous avez des raisons de suspecter une fuite de gaz, n'allez pas dans les soubassements ou les endroits bas. Attendez que les pompiers vous assurent de la sûreté de ces endroits avant d'y aller.
- Utiliser le téléphone de votre voisin et appeler les pompiers et une personne entraînée avec le propane.
- Ne pas ouvrir les soupapes d'approvisionnement de gaz même si vous ne le sentez plus. Ne retourner pas dans le bâtiment, sur les véhicules ou sur les lieux.
- Finalement, laisser la personne qualifiée et les pompiers vérifier les fuites de gaz. Laisser-les aérer les lieux avant d'y retourner. Les personnes entraînées avec le propane devront réparer la fuite, vérifier et réallumer l'appareil au gaz, pour vous.

## AUCUNE ODEUR DÉCELÉE - FAIBLE ODEUR

Il y a des personnes qui ne peuvent pas sentir très bien. Il y a des personnes qui ne peuvent pas sentir l'odeur chimique mis dans le gaz. Vous devez vérifier si vous pouvez sentir cette odeur. Fumer peut décroître votre capacité de sentir. Sentir une odeur pour un certain temps, peut affecter votre sensibilité ou votre capacité de déceler cette odeur. Quelquefois d'autres odeurs, dans le même endroit, peuvent masquer l'odeur du gaz. Il y a des personnes qui ne peuvent pas sentir l'odeur du gaz ou que leur attention est sur quelque chose d'autre. Penser à sentir l'odeur du gaz peut faciliter la capacité de sentir.

L'odeur dans le propane est sans couleur et peut s'affaiblir selon certaines circonstances. Par exemple, s'il y a une fuite souterraine, le mouvement du gaz à travers le sol peut filtrer l'odeur. Aussi, l'odeur dans le propane peut être exposée à l'oxydation. Cet affaiblissement

peut survenir s'il y a de la rouille à l'intérieur des réservoirs ou dans les tuyaux de fer pour le gaz.

L'odeur de la fuite de gaz peut être adsorbée ou absorbée sur ou dans les murs, maçonnerie et d'autres matériaux et tissus dans une chambre. Ceci enlèvera une quantité de l'odeur du gaz, affaiblissant l'intensité de la senteur.

Le propane peut stratifier dans un endroit fermé et l'intensité de l'odeur peut varier à différents niveaux. Puisque le propane est plus pesant que l'air, l'odeur peut être plus prononcée à un bas niveau. Toujours être sensible à la moindre odeur de gaz. Si vous décelez une odeur, réagissez comme si vous aviez une sérieuse fuite. Passez à l'action immédiatement en suivant les informations précédentes.

## QUELQUES POINTS À RETENIR

- Apprendre à reconnaître l'odeur du propane. Votre distributeur de propane peut vous donner un échantillon que vous grattez et sentez. Utilisez-le pour savoir reconnaître l'odeur du propane. Si vous pensez que votre gaz propane a une faible ou anormale odeur, appelez votre distributeur.
- Si vous n'êtes pas qualifié, n'allumer pas la veilleuse, n'effectuer pas l'entretien ou n'ajuster pas les appareils fonctionnant au propane. Si vous êtes qualifié, soyez conscient de l'odeur du propane avant et pendant que vous allumez la veilleuse, effectuez l'entretien ou faites les ajustements.
- Quelquefois un soubassement ou une maison fermée a une senteur de mois qui peut dissimuler l'odeur de propane. N'essayez pas d'allumer des veilleuses, d'effectuer l'entretien ou de faire des ajustements dans des endroits où les conditions sont de telle sorte que vous ne pouvez pas déceler l'odeur du propane en cas de fuite.
- L'affaiblissement d'odeur, attribuable à l'oxydation par la rouille ou l'adsorption sur les parois des nouveaux réservoirs et bouteilles, est possible. Par conséquent, les personnes doivent être particulièrement prudentes lorsque de nouveaux réservoirs ou bouteilles sont mis en service. L'affaiblissement d'odeur peut se produire dans les nouveaux réservoirs ou dans les vieux réservoirs qui sont réinstallés, s'ils sont remplis et inutilisés pour une longue période de temps. La formation de rouille à l'intérieur des bouteilles et des réservoirs qui ne sont pas utilisés pour une longue période de temps, peut provoquer un affaiblissement de l'odeur. Si vous pensez que de telles conditions existent, un test de senteur de gaz est recommandé périodiquement. Si vous avez des questions à propos de l'odeur du gaz, appelez votre distributeur de propane. En toute circonstance, un test de senteur périodique du gaz propane est une mesure de prudence.
- Si en aucun temps vous ne sentez pas l'odeur du propane et que vous devriez, assumez que vous avez une fuite. Agissez immédiatement selon les recommandations ci-dessus, décrivant les actions à suivre en cas de décellement de gaz propane.
- Si vous découvrez que le réservoir est complètement vide de gaz (le réservoir n'a aucune pression de vapeur), fermez la soupape du réservoir immédiatement. Si la soupape du réservoir reste ouverte, le réservoir peut aspirer de l'air par les ouvertures, par exemple les orifices de la veilleuse. Si ceci survient, l'intérieur peut subir une additionnelle formation de rouille. Si la soupape est restée ouverte, considérez le contenant comme étant un nouveau réservoir. Soyez toujours certain que le réservoir est sous pression de vapeur; fermez la soupape du réservoir avant qu'il ne soit complètement vide et faites le remplir.

# INTRODUCTION

## Introduction

Toujours consulter le département de construction de votre région en ce qui regarde les règlements, les codes ou les ordonnances qui s'appliquent à l'installation d'un radiateur mural avec un évent direct.

## Instructions pour l'Installateur

1. Après l'installation, l'installateur doit laisser le manuel d'instructions au propriétaire.
2. L'installateur doit demander au propriétaire de compléter et poster la carte de garantie de l'unité de chauffage.
3. L'installateur doit expliquer au propriétaire la mise en marche et le fonctionnement du radiateur et du thermostat.

**AVERTISSEMENT:** Tout changement fait à ce radiateur ou à ces commandes peut être dangereux. Ceci est un appareil de chauffage et si un panneau, une porte ou un dispositif protecteur est enlevé pour l'entretien de cet appareil, il doit être remplacé avant de remettre en marche.

## Informations Générales

Ce radiateur est un modèle conformément certifié avec l'American National Standard / CSA Standard Z21.86 et CSA 2.32 par Canadian Standard Association comme étant un radiateur mural à évacuation directe par gravité, devant être installé sur un mur extérieur en accordance avec ces instructions.

Tout changement du modèle d'origine, installé autrement que décrit dans ces instructions ou fonctionnant avec un genre de gaz qui n'est pas indiqué sur la plaque d'identification, est la responsabilité de la personne et de la compagnie faisant ce changement.

## IMPORTANT

Toute la correspondance doit mentionner le numéro complet du modèle et de la série et le genre de gaz.

**AVIS:** Pendant le premier allumage de cette unité, la peinture cuira et de la fumée se produira. Pour prévenir les détecteurs de fumée de se déclencher, bien ventiler l'appartement dans lequel l'unité est installée.

## Installation dans les Garages Résidentiels

Tous les équipements dans les garages résidentiels employant du gaz, doivent être installés de façon à ce que les brûleurs et les appareils pour allumer les brûleurs doivent être situés à au moins 18" (457mm) au-dessus du plancher.

Tous ces équipements doivent être situés ou protégés de façon à ce qu'un véhicule en se déplaçant ne puisse les endommager.

## Agence d'Installation Qualifiée

L'installation et le remplacement des tuyaux à gaz, des équipements ou accessoires, la réparation et l'entretien de l'équipement doivent être faits seulement par une agence qualifiée. Le terme "agence qualifiée" signifie tout individu, firme, corporation ou compagnie qui est, en personne ou par un représentant, engagé et responsable de: (a) l'installation ou le remplacement des tuyaux à gaz, ou (b) la connexion, l'installation, la réparation ou l'entretien de l'équipement, qui possède l'expérience nécessaire en ce genre de travail, est familier avec les précautions requises et s'est conformé à toutes les exigences de l'autorité ayant juridiction.

L'installation doit être conforme aux codes locaux. Dans l'absence de codes locaux, l'installation doit se conformer avec National Fuel Gas Code ANSI Z223.1/NFPA 54\* Natural Gas and Propane Installation Code, CSA B149.1.

\* Disponible chez American National Standards Institute, Inc., 11 West 42nd St., New York 10036.

## Hautes Altitudes

Pour des altitudes/élevations au-dessus de 2,000' (610m), les puissances d'entrée devront être réduites de 4% pour chaque 1,000' (305m) au-dessus du niveau de la mer. Hautes Altitudes au Canada pour les endroits ayant une élévation au-dessus du niveau de la mer entre 2,000' (610m) et 4,500' (1370m), la pression de gaz doit être diminuée de 4.0" w.c. (.996kPa) à 3.2" w.c. (.796kPa) pour le gaz naturel et de 10.0" w.c. (2.49kPa) à 8.0" w.c. (1.992kPa) pour le gaz propane.

# SPÉCIFICATIONS

Modèle	DV-25	DV-35
Puissance BTU/HR (KW/H)	25,000 (7.3)	35,000 (10.3)
Hauteur	27 3/4" (705mm)	27 3/4" (705mm)
Largeur	37" (940mm)	37" (940mm)
Profondeur	11 1/2" (292mm)	11 1/2" (292mm)
Arrivée de gaz(tuyau)	1/2" (13mm)	1/2" (13mm)
Accessoires pour le Radiateur		
l'Assemblage de la soufflerie	DRB-1	DRB-1
l'Assemblage d'évent pour le revêtement en vinyle	DV-822	DV-822

# ALIMENTATION EN GAZ

## Emplacement de l'Alimentation de Gaz

La ligne de gaz peut entrer dans l'appareil soit en venant du plancher ou du mur extérieur. L'ouverture pour la ligne de gaz doit être faite à ce moment. L'emplacement de l'ouverture sera déterminé par la position des solives du plancher et par la valve et le raccord utilisé lors de l'entretien.

### Le Diamètre recommandé de tuyau de gaz

Longuer de tuyau	Le plan 40 tuyau diameter d'intérieur		Les tuyaux, Taper L Hor du Diamètre	
	Nat.	LP	Nat.	LP
0-10 feet 0-3 meters	1/2"	3/8"	1/2"	3/8"
	2.7mm	9.5mm	12.7mm	9.5mm
10-40 feet 4-12 meters	1/2"	1/2"	5/8"	1/2"
	12.7mm	12.7mm	15.9mm	12.7mm
40-100 feet 13-30 meters	1/2"	1/2"	3/4"	1/2"
	12.7mm	12.7mm	19mm	12.7mm
100-150 feet 31-46 meters	3/4"	1/2"	7/8"	3/4"
	19mm	12.7mm	22.2mm	19mm

Note: Ne jamais utiliser des tuyaux de plastique. Assurez-vous que les codes locaux permettent les tuyaux de cuivre ou galvanisés.

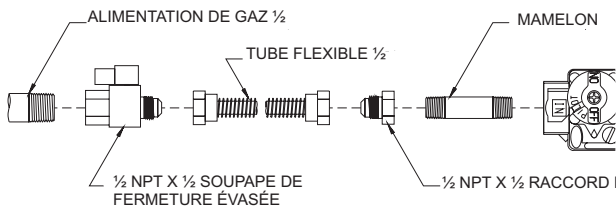
Note: Étant donné que certaines municipalités ont des codes locaux additionnels, il est toujours préférable de consulter votre autorité locale et le code d'installation.

L'emploi des connexions de gaz suivantes est recommandé.

- ANS Z21.24 Connexions d'appareil de tuyaux et de raccords en métal ondulé.
- ANS Z21.45 Connexions flexibles d'appareil autre qu'en métal.

Les connexions ci-dessus peuvent être utilisées si elles sont acceptées par les autorités ayant juridiction. L'État de Massachusetts exige qu'une connexion flexible d'un appareil n'excède pas une longueur de trois pieds

### CONNEXION D'UNE LIGNE DE GAZ FLEXIBLE



### CONNEXION D'UNE LIGNE RIGIDE

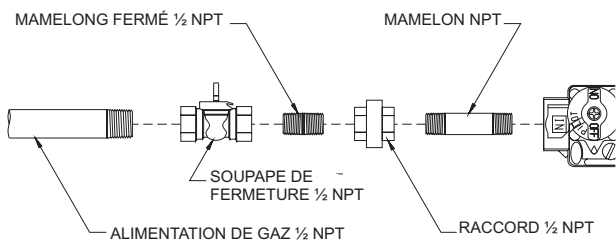


Figure 1

Consulter le Code d'Installation en Cours du National Fuel Gas Code, ANSI Z223.1 CAN/CGA-B149 (.1 ou .2).

Installation d'un Nouveau Robinet Principal pour le Gaz  
Chaque appareil doit avoir son propre robinet manuel de gaz.

Un robinet manuel principal doit être situé près de l'appareil. S'il n'y en a pas ou si la grosseur ou l'emplacement est inadéquat, contacter votre

installateur autorisé pour l'installation ou pour changer l'emplacement. Les composantes employées sur les joints filetés des tuyaux doivent être résistantes à l'action des gaz de pétrole liquéfiés. La canalisation de gaz doit être vérifiée par l'installateur pour des possibilités de fuites. Ceci doit être fait sur toutes les connexions exposées avec une solution savonneuse. Surveiller pour la formation de bulles. Si les connexions ne sont pas exposées, un test de pression doit être fait.

Ne jamais employer une flamme pour vérifier les fuites. Lors d'un test de pression, le tuyau d'arrivée de la valve de commande doit être débranché de l'appareil et bouché. Ne jamais faire un test de pression lorsque l'appareil est branché; la valve de commande peut être endommagée!

Pour aider à l'entretien, une valve à gaz et un raccord horizontal doivent être installés sur la ligne de gaz en amont du contrôle de gaz. Le National Fuel Gas Code exige qu'une ligne d'égoûtage soit installée près de l'entrée de gaz. Ceci doit consister en une longueur de tuyau vertical qui sera raccordé par un T sur la ligne de gaz et terminé au bas par un bouchon. La condensation et les particules étrangères s'y amasseront.

### TUYAU D'ALIMENTATION EN GAZ

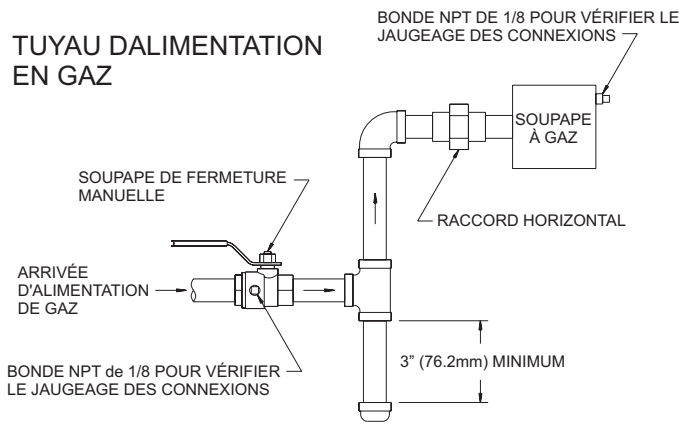


Figure 2

Méthode pour installer un collecteur de sédiment avec un adaptateur en T.

### Test de Pression du Système d'Alimentation de Gaz

1. Pour vérifier la pression d'arrivée à la valve de gaz, une bonde N.P.T. de 1/8" (3.175mm), accessible pour vérifier le jaugeage des connexions, doit être située immédiatement en amont de la connexion d'alimentation de gaz de l'appareil.
2. Pendant un test de pression du système d'alimentation de gaz, l'appareil et sa valve de fermeture doivent être débranchés si une pression supérieure à 1/2 psig (3.5kPa) est employée.
3. Pendant un test de pression du système d'alimentation de gaz, si une pression égale ou inférieure à 1/2 psig (3.5kPa) est employée, l'appareil doit être isolé du système d'alimentation de gaz en fermant sa propre valve de fermeture manuelle.

Attention! Si une des procédures ci-dessus occasionne une pression supérieure à 1/2 psig (3.5kPa) sur la valve de gaz de l'appareil, une situation dangereuse s'en suivra.

### Vérifier les Pressions de Gaz

Un régulateur de pression est incorporé dans la valve de gaz propane et celle de gaz naturel.

Les modèles pour le gaz naturel auront des pressions de gaz approximativement de 4.0" w.c. (.996kPa) à la sortie de la valve et une pression d'entrée à la valve d'un minimum de 5.0" w.c. (1.245kPa) pour permettre l'ajustement à l'entrée, allant à un maximum de 10.5" w.c. (2.614kPa). Les modèles pour le gaz propane auront des pressions de gaz approximativement de 10.0" w.c.(2.49kPa) à la sortie de la valve et une pression d'entrée à la valve d'un minimum de 11.0" w.c. (2.74kPa) pour permettre l'ajustement à l'entrée, allant à un maximum de 13.0" w.c. (3.24kPa).

Une bonde N.P.T. de 1/8" (3.175mm), accessible pour vérifier le jaugeage des connexions, est située sur le côté de la sortie de la commande de gaz.



# ESPACES LIBRES

1. En choisissant un emplacement, il est nécessaire de fournir l'espace libre adéquat pour l'accès à l'installation et à l'entretien.
2. L'unité est soutenue par un support qui est attaché au mur.
3. Le minimum d'espace libre entre les parois du radiateur et les constructions combustibles est de 48" (121cm) au sommet, 6" (152mm) de chaque côté, 4" (102mm) du plancher ou du dessus du tapis, tuile ou autre sorte de recouvrement de plancher et 0" (0mm) au mur arrière.
4. Le minimum d'espace libre entre le centre du capuchon de l'évent et le coin ou l'obstruction le plus près à l'extérieur est de 24" (610mm).
5. Pour le DV-25 et le DV-35, le minimum d'épaisseur pour le mur est de 4 1/2" (114mm) et le maximum est de 13" (330mm). L'usage de tuyaux qui ne sont pas fournis par le fabricant, résultera en une performance insatisfaisante.

L'évent terminal d'un appareil à évent direct, avec une puissance de 50,000 Btuh (14.6 KW) par heure ou moins, doit être situé à au moins 9" (229mm) d'une ouverture par lequel un tuyau de gaz peut entrer dans le bâtiment. Le bas de l'évent terminal et la prise d'air doivent être situés à au moins 12" (305mm) au-dessus du sol.

**AVERTISSEMENT:** Le point le plus près du capuchon de l'évent doit être éloigné horizontalement d'un minimum de 6' (1.83m) du régulateur de pression. Dans le cas d'un mal fonctionnement du régulateur, la distance de 6' (1.83m) réduira la chance pour le gaz d'entrer par le capuchon de l'évent.

## INSTRUCTIONS POUR L'INSTALLATION

### Localisation du Radiateur

Choisir un endroit qui sera sur un mur extérieur avec un espace libre de 28" (711mm) de haut par 49" (124cm) de large.

### Emplacement de l'Ouverture dans le Mur

Le radiateur doit être situé sur un mur extérieur. Trouver les montants du mur, ainsi l'ouverture dans le mur sera entre les montants du mur. Les montants du mur peuvent être utilisés pour attacher le support de fixation mural. L'ouverture dans le mur exige un diamètre de 7 1/2" (191mm) comme le montre la Figure 3.

Un guide est fourni dans l'emballage du radiateur pour vous aider à positionner le radiateur sur le mur. Aussi, référer à la Figure 3 pour positionner le radiateur sur le mur et pour situer les connexions pour la ligne de gaz.

La Figure 3 positionnera le radiateur 4" (102mm) au-dessus du plancher. Si vous désirez placer le radiateur plus haut sur le mur, ajouter la différence aux dimensions "A", "B", "C". Note: l'ouverture de l'évent n'est pas dans le centre du radiateur.

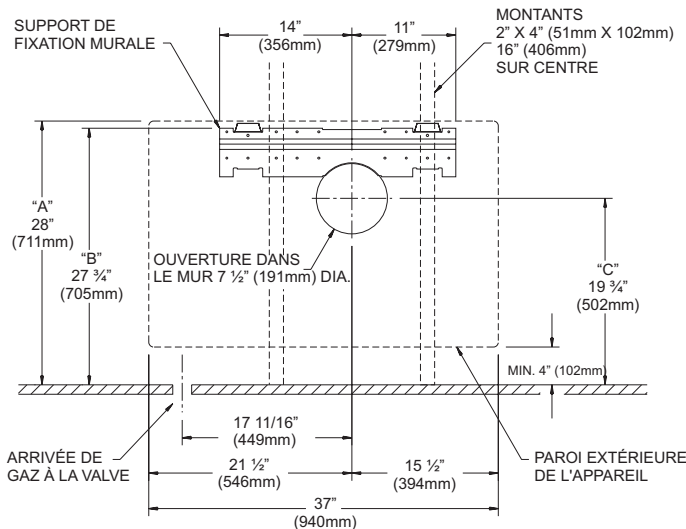


Figure 3

### (REPRÉSENTATION DU DV-25-2)

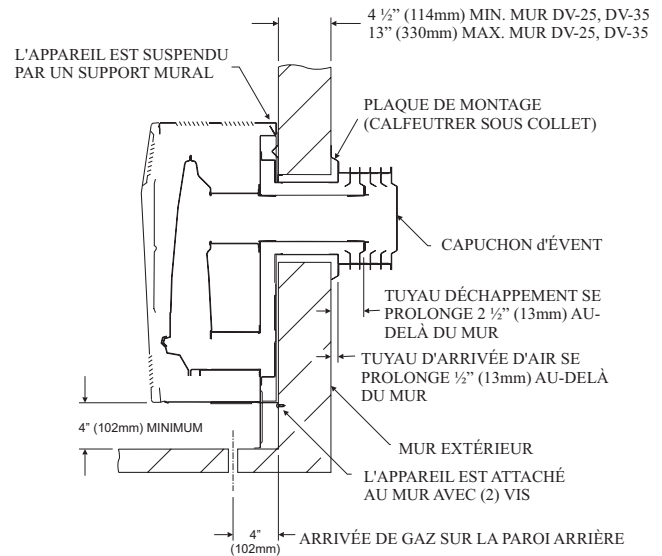


Figure 4

### Installation du Support de Fixation Murale

Situer et couper l'ouverture dans le mur. S'il y a de la matière isolante au-dessus de l'ouverture dans le mur (tuyau d'arrivée d'air), une barrière devra être installée au-dessus de l'ouverture dans le mur (tuyau d'arrivée d'air) pour éviter que la matière isolante vienne en contact avec le tuyau d'arrivée d'air. La barrière ne doit pas empiéter sur l'ouverture dans le mur dont le diamètre doit être de 7 1/2" (191mm). Placer la surface plate du support de fixation contre le mur. Introduire la moitié du rebord rond du support de fixation dans le haut de l'ouverture au mur. La moitié du rebord rond du support de fixation doit être en contact avec le plâtre ou le bois au haut de l'ouverture dans le mur. Nivelier le support de fixation dans l'ouverture au mur.

Sur un mur solide, lorsque vous utilisez les montants du mur pour attacher le support de fixation, attacher celui-ci aux montants avec 2 vis #10 x 1 1/2" (38mm). En addition mettre 2 vis #10 x 1 1/2" (38mm) à travers le support de fixation et le mur solide. Les vis sont fournies.

# INSTRUCTIONS POUR L'INSTALLATION (suite)

Sur un mur de plâtre, lorsque vous utilisez les montants du mur pour attacher le support de fixation, attacher celui-ci aux montants avec 2 vis #10 x 1 1/2" (38mm). En addition, mettre 2 vis #10 x 1 1/2" (38mm) et 2 écrous Tinnerman à travers le support de fixation et le mur en plâtre. Pour y accéder, utiliser l'ouverture dans le mur. Les vis et les écrous sont fournis.

## Attacher le Radiateur au Support de Fixation Murale

Suspendre le radiateur sur le support de fixation en alignant les 2 pattes du support avec les 2 fentes situées sur le haut de la paroi intérieure.

Le bas de la paroi intérieure sera attaché au mur. Sur un mur solide, attacher le bas de la paroi avec 2 vis #10 x 1 1/2" (38mm). Sur un mur en plâtre, attacher le bas de la paroi avec 2 boulons à ailettes. Les vis et les boulons à ailettes.

## Couper les Tuyaux de Ventilation

Ceci est la partie la plus importante de l'installation. Avec le radiateur installé sur le mur, le tuyau d'arrivée d'air de 6" (152mm) de diamètre et le tuyau d'échappement de 4" (102mm) de diamètre doivent être marqués et coupés en employant les procédures suivantes:

1. Attacher le tuyau d'arrivée d'air de 6" (152mm) de diamètre sur le collet de l'assemblage de la descente d'air. Soyez certain de placer le tuyau d'arrivée d'air de 6" (152mm) de diamètre aussi loin que possible sur le collet de l'assemblage de la descente d'air. Marquer le tuyau d'arrivée d'air de 6" (152mm) de diamètre, 1/2" (13mm) au-delà du mur extérieur. Enlever le tuyau d'arrivée d'air de 6" (152mm) de diamètre du collet de l'assemblage de la descente d'air.
2. Attacher le tuyau d'échappement de 4" (102mm) de diamètre sur le collet de la sortie d'échappement qui est sur la chambre de combustion. Soyez certain que le tuyau d'échappement de 4" (102mm) de diamètre est placé aussi loin que possible sur le collet de la sortie d'échappement. Marquer le tuyau d'échappement de 4" (102mm) de diamètre, 2 1/2" (64mm) au-delà du mur extérieur. Enlever le tuyau d'échappement de 4" (102mm) de diamètre du collet de la sortie d'échappement qui est sur la chambre de combustion.
3. Pour vous aider à faire une bonne coupe sur les tuyaux, tracez ou mettez du ruban adhésif tout autour des tuyaux. Ne pas déformer ou agrandir les tuyaux.

## Installation de l'Ensemble de Ventilation

1. Calfeutrer sous le bord de la plaque extérieure de montage. L'étaupe est non fournie. Ajouter de l'étaupe pour corriger les inégalités sur la surface du mur.
2. Attacher le tuyau d'arrivée d'air de 6" (152mm) de diamètre sur le collet de l'assemblage de la descente d'air. Attacher la plaque extérieure de montage que vous avez calfeutrée avec le tuyau d'arrivée d'air de 6" (152mm) de diamètre. Positionner la plaque extérieure de montage de façon à ce que le tuyau d'arrivée d'air de 6" (152mm) de diamètre ait une légère pente descendante vers l'extérieur. La pente descendante est nécessaire pour prévenir l'entrée de la pluie. Attacher la plaque extérieure de montage au mur extérieur avec 4 vis #10 x 1 1/2" (38mm). Les vis sont fournies.
3. Appliquer du ciment pour radiateur au collet de la sortie d'échappement de 4" (102mm) de diamètre et sur le collet de 4" (102mm) du capuchon d'évent. Attacher le tuyau de sortie d'échappement de 4" (102mm) de diamètre au collet de la sortie d'échappement de la chambre de combustion. Attacher le capuchon de l'évent au tuyau de sortie d'échappement de 4" (102mm) de diamètre. Attacher le capuchon de l'évent à la plaque extérieure de montage avec 3 vis #10 x 1/2" (13mm). Les vis sont fournies.
4. L'installation est complétée.

## Remontage et Étanchement du Système d'évacuation et d'Alimentation d'Air

Lorsque le système d'évacuation et d'alimentation d'air est enlevé pour réparer le radiateur, les étapes suivantes vous assureront la bonne méthode de remonter et d'assurer l'étanchéité du système d'évacuation et d'alimentation d'air.

1. Enlever le vieux ciment pour radiateur autour du collet de la sortie d'échappement de la chambre de combustion et autour du collet du capuchon d'évent. Enlever le vieux ciment pour radiateur autour des deux bouts du tuyau de sortie d'échappement de 4" (102mm) de diamètre.
2. Enlever la vieille étoupe sous le bord de la plaque extérieure de montage. Appliquer de la nouvelle étoupe sous le bord de la plaque extérieure de montage. Ajouter de l'étaupe pour corriger les inégalités sur la surface du mur.
3. Attacher le tuyau d'arrivée d'air de 6" (152mm) de diamètre au collet de l'assemblage de la descente d'air. Attacher la plaque extérieure de montage calfeutrée au tuyau d'arrivée d'air de 6" (152mm) de diamètre. Positionner la plaque extérieure de montage de façon à ce que le tuyau d'arrivée d'air de 6" (152mm) de diamètre ait une légère pente descendante vers l'extérieur. La pente descendante est nécessaire pour prévenir l'entrée de la pluie. Attacher la plaque extérieure de montage au mur extérieur avec 4 vis #10 x 1 1/2" (38mm). Les vis sont fournies.
4. Appliquer du ciment pour radiateur au collet de la sortie d'échappement de 4" (102mm) de diamètre et sur le collet de 4" (102mm) de diamètre du capuchon d'évent. Attacher le tuyau de sortie d'échappement de 4" (102mm) de diamètre au collet de la sortie d'échappement de la chambre de combustion. Attacher le capuchon de l'évent au tuyau de sortie d'échappement de 4" (102mm) de diamètre. Attacher le capuchon de l'évent à la plaque extérieure de montage avec 3 vis #10 x 1/2" (13mm). Les vis sont fournies.
5. Le remontage et l'étanchement du système d'évacuation et d'alimentation d'air est complété.

## Installer un Évén Près d'un Rebord de Fenêtre,

Autre Genre de Saillie ou Sur un Revêtement vinyle, aluminium, etc...

Les radiateurs à événement direct sont désignés pour être installés sur un mur extérieur uniforme. Lorsque le vent souffle de différentes directions (d'en haut, d'en bas, ou sur les côtés), il doit frapper le capuchon d'évent de façon à ce que les parties d'arrivée d'air et de sortie d'échappement de l'évent soient frappées également. Toutes sortes de saillies, par exemple une porte ou un cadre de fenêtre, peuvent dévier le vent qui frappera un côté de la section de l'arrivée d'air. Ceci occasionnera un retour de pression sur la portion d'échappement lequel étouffera la flamme et éventuellement produira l'extinction de la veilleuse.

Lorsque le capuchon d'évent doit être installé sur un revêtement ou près d'une saillie qui sera à 6" (152mm) de distance de la portion d'arrivée d'air, l'évent complet devra être soutenu loin du mur d'au moins la distance de la saillie. Nous recommandons une construction faite de 2" x 4" (51mm x 102mm) dont la dimension extérieure sera égale aux dimensions totales de la plaque de montage. La construction faite de 2" x 4" (51mm x 102mm) protégera le revêtement d'une possibilité de déformation ou de décoloration. Tous les joints peuvent alors être rendus étanches et peints. L'épaisseur du mur, plus l'épaisseur de la construction faite de 2" x 4" (51mm x 102mm) ne doit pas excéder l'épaisseur totale de 13" (330mm) pour le DV-25 et le DV-35. (voir figure 5).

L'ensemble d'évent pour le revêtement en vinyle, DV-822, est disponible chez Empire Comfort Systems, Inc. L'épaisseur est de 3" (76mm) ce qui permet le prolongement du capuchon d'évent loin du revêtement en vinyle ou des saillies. L'épaisseur du mur, plus l'épaisseur additionnelle de 3" (76mm) de l'extension du capuchon d'évent pour revêtement en vinyle ne doit pas excéder une épaisseur totale de 13" (330mm) pour le DV-25 et le DV-35. (voir figure 5a)

**AVERTISSEMENT:** Lorsque l'ensemble d'évent pour le revêtement en vinyle DV-822 ou la construction faite de 2" x 4" (51mm x 102mm) est ajouté à une installation déjà existante (radiateur est installé), n'essayer pas d'ajouter des sections de tuyau au tuyau de sortie d'échappement ou au tuyau d'arrivée d'air. Un joint étanche est requis pour les deux tuyaux. Référer à la liste des pièces en page 13, pour commander les tuyaux.

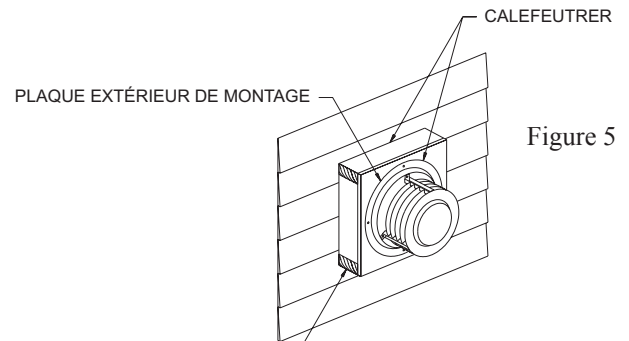


Figure 5

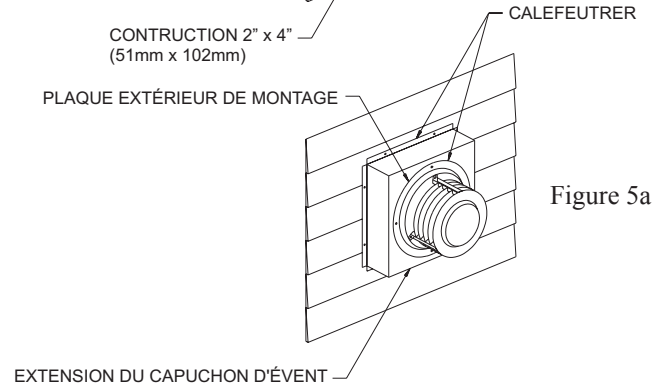


Figure 5a

## EMPLACEMENT DU THERMOSTAT

Le thermostat mural en millivolt est conçu pour l'usage d'un système auto-générateur. Il ne doit jamais être utilisé sur un circuit en ligne ou un circuit de bas voltage de courant alternatif.

Mur intérieur — Le thermostat doit être installé sur un mur intérieur. Il doit être placé dans le même appartement que le radiateur mais loin de celui-ci.

Il est important d'employer le fil d'une mesure appropriée pour la longueur du fil:

<b>MESURES RECOMMANDÉES DE FIL</b>	
<i>Longueur Maximum</i>	<i>Mesure de Fil</i>
1' to 10'	18
10' to 25'	16
25' to 35'	14

Le bon fonctionnement dépend d'une bonne flamme de la veilleuse. La flamme doit recouvrir le haut de la thermopile. Le nettoyage de l'ouverture de la veilleuse et du brûleur doit être fait à cause des araignées.

Vérification du Système (Figure 6)

Un compteur de millivolt est exigé pour vérifier le système. La lecture de millivolt doit être:

- A travers les bornes de la thermopile, 400-450 millivolts avec le thermostat OFF.
- A travers les bornes de la thermopile, 150-250 millivolts avec le thermostat ON.
- A travers les fils du thermostat à la valve, moins de 30 millivolts avec le thermostat ON.
- A travers les fils du thermostat au thermostat, moins de 5 millivolts avec thermostat ON. (Des vents forts, une veilleuse sale et une pression basse

réduiront les lectures.)

**Instructions Pour le Piezo-Allumeur de la Veilleuse**

Baisser le bouton rouge complètement provoquera une étincelle qui surviendra à la veilleuse. Ceci est un substitut à une allumette. Celle-ci exigerait l'ouverture du couvercle pour l'accès à la veilleuse. Pour allumer la veilleuse, il est important que l'électrode soit à 1/8" (3mm) de la thermopile. L'étincelle doit se produire à l'endroit où la flamme du brûleur frappe la thermopile. Le bout de l'électrode sera chauffé au rouge lorsque la veilleuse est en fonction. Sur une nouvelle installation ayant de l'air dans la ligne de gaz, il est suggéré d'utiliser une allumette. Dans cette condition, l'allumette allumera la veilleuse plus vite qu'avec le piezo-allumeur.

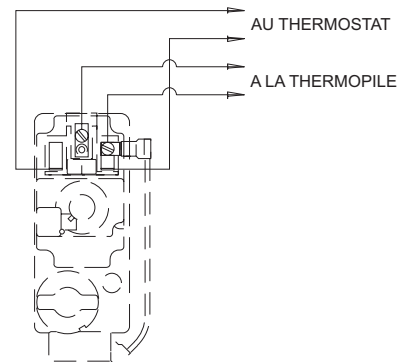


Figure 6

# INSTRUCTIONS D'ALLUMAGE

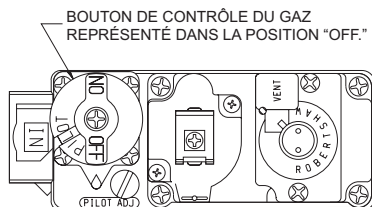
## POUR VOTRE SÉCURITÉ LIRE AVANT D'ALLUMER

**AVERTISSEMENT:** Si vous ne suivez pas exactement ces instructions, un feu ou une explosion peut se produire causant des dommages à la propriété, des blessures corporelles ou la mort.

- A. Cet appareil a une veilleuse qui doit être allumée manuellement. Lorsque vous allumez la veilleuse, suivez exactement ces instructions.
- B. **AVANT D'ALLUMER**, sentez partout dans l'appartement dans lequel l'appareil est situé pour déceler une odeur de gaz. Soyez certain de sentir près du plancher parce qu'il y a des gaz qui sont plus pesant que l'air et ceux-ci resteront sur le plancher.
- QUOI FAIRE SI VOUS SENTEZ LE GAZ**
- N'essayer pas d'allumer un appareil.
  - Ne toucher pas les interrupteurs électriques. N'utiliser pas les téléphones dans le bâtiment.
  - Appeler immédiatement votre fournisseur de gaz en employant le téléphone de votre voisin. Suivre les instructions du fournisseur de gaz.
  - Si vous ne pouvez pas contacter votre fournisseur de gaz, appeler le poste de pompiers.
- C. Utiliser seulement votre main pour pousser ou tourner le bouton de contrôle de gaz. N'utiliser jamais des outils. Si vous ne pouvez pas pousser ou tourner le bouton avec vos mains, n'essayer pas de le réparer; appeler un technicien qualifié. Forcer ou essayer de réparer peut résulter en un feu ou une explosion.
- D. Ne pas utiliser cet appareil si une pièce a été en contact avec l'eau. Appeler immédiatement un technicien qualifié pour inspecter le radiateur et remplacer toute pièce du système de commande et les commandes de gaz qui ont été en contact avec l'eau.

# INSTRUCTIONS D'ALLUMAGE

1. **ARRÊTER!** Lire les informations de sécurité ci-dessus.
2. Mettre le thermostat à son plus bas réglage.
3. Éteindre tout pouvoir électrique à l'appareil. (si applicable).
4. Enlever la paroi frontale du radiateur.
5. Pousser légèrement le bouton de contrôle de gaz et tourner dans le sens des aiguilles d'une montre à la position "OFF".



**NOTE:** Le bouton ne peut pas être tourné de la position "PILOT" à la position "OFF" à moins de pousser légèrement le bouton. Ne pas forcer.

6. Attendre 10 minutes pour se débarrasser des gaz. Après les 10 minutes, sentir partout y compris près du plancher pour déceler une odeur de gaz. Si vous sentez le gaz, **ARRÊTER!** Suivre "B" dans les informations de sécurité ci-dessus. Si vous ne sentez aucun gaz, aller à la prochaine étape.
7. Enlever le couvercle d'accès à la veilleuse situé sur la chambre de combustion.
8. Trouver la veilleuse - suivre le tuyau de métal à partir du contrôle de gaz. La veilleuse est derrière le couvercle d'accès à la veilleuse.

9. Tourner le bouton de contrôle de gaz dans le sens opposé des aiguilles d'une montre à la position "PILOT".
- 
10. Pousser le bouton de contrôle au plus loin et le tenir. Allumer immédiatement la veilleuse avec le piezo-allumeur de la veilleuse ou une allumette. Continuer de tenir le bouton de contrôle pour environ une minute après que la veilleuse soit allumée. Relâcher le bouton et il reviendra à sa position. La veilleuse est supposée rester allumée. Si elle s'éteint, recommencer les étapes 5 jusqu'à 10.
    - Si le bouton ne revient pas à sa position lorsque vous le relâchez, arrêter et appeler immédiatement un technicien d'entretien ou le fournisseur de gaz.
    - Si la veilleuse ne reste pas allumée après plusieurs essais, tourner le bouton de contrôle de gaz à la position "OFF" et appeler votre technicien d'entretien ou votre fournisseur de gaz.
  11. Replacer le couvercle d'accès à la veilleuse.
  12. Tourner le bouton de contrôle de gaz dans le sens opposé des aiguilles d'une montre à la position "ON".
  13. Replacer la paroi frontale du radiateur.
  14. Allumer tout le pouvoir électrique de l'appareil. (si applicable).
  15. Mettre le thermostat au réglage désiré.
  16. **AVERTISSEMENT:** Le couvercle d'accès à la veilleuse doit être gardé bien fermé durant le fonctionnement.

## POUR FERMER LE GAZ À L'APPAREIL

1. Mettre le thermostat au plus bas réglage.
2. Si l'entretien doit être fait, éteindre tout le pouvoir électrique à l'appareil. (si applicable).
3. Enlever la paroi frontale du radiateur.
4. Pousser légèrement le bouton de contrôle de gaz et tourner dans le sens des aiguilles d'une montre à la position "OFF". Ne pas forcer.
5. Replacer la paroi frontale du radiateur.

## ASPECT CONVENABLE DE LA FLAMME DE LA VEILLEUSE

La flamme sera quasiment horizontale, bleue et s'allongera au-delà de la thermopile de 1/4" (6mm). La flamme entourera la thermopile juste en-dessous de la pointe.

Avec du gaz propane (LP-gaz), un jaune pâle apparaîtra à l'endroit où la flamme de la veilleuse rencontrera la flamme du brûleur.

La veilleuse du gaz naturel demande un ajustement lorsque la pression d'entrée est supérieure à 5" w.c. (1.25kPa). Tourner la vis d'ajustement dans le sens des aiguilles d'une montre pour réduire la flamme.

Le gaz propane ne demande aucun ajustement.

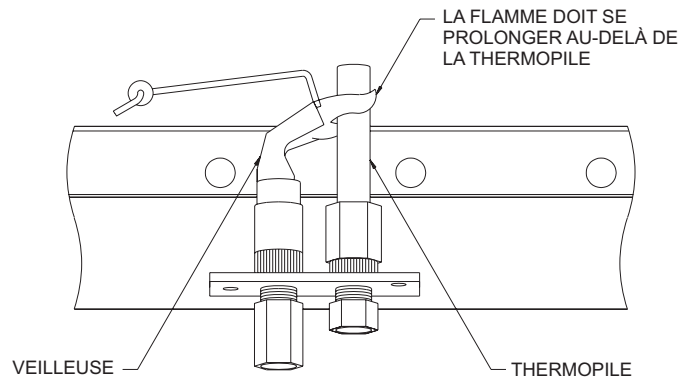


Figure 7

## ASPECT CONVENABLE DE LA FLAMME DU BRÛLEUR PRINCIPAL

Il y aura une petite flamme bleue intérieure avec une flamme extérieure bleue pâle beaucoup plus large. La flamme du brûleur peut avoir une pointe jaune lorsqu'elle est chaude. Voir le dessin du brûleur, montrant les hauteurs approximatives de chaque partie de la flamme. Des poussières dans l'air de combustion produira une flamme orange ou rouge. Ne pas confondre une flamme orange ou rouge avec une flamme jaune incorrecte. Après l'utilisation, un nettoyage peut être exigé pour obtenir une flamme convenable.

### FLAMME DU BRÛLEUR

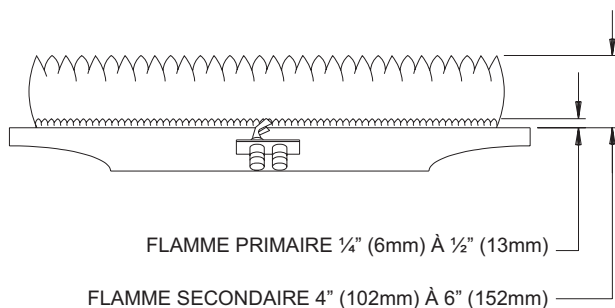


Figure 8

### l'Ajustement d'Air Primaire (Figure 9)

La goupille pour l'ajustement d'air est située au bas du support de la chambre. L'espace libre de 4" (102mm) entre le radiateur et le plancher permet l'accès à la goupille d'ajustement d'air. La goupille d'ajustement d'air est au-dessus de l'ouverture rectangulaire sur le bas de la paroi intérieure.

Pour le Gaz Propane, si un bruit de sifflement (résonance) survient, visser la goupille d'ajustement d'air du support de la chambre de façon à réduire la quantité d'air primaire. Si le sifflement (résonance) n'arrête pas lorsque vous vissez la goupille d'ajustement d'air ceci peut indiquer que la goupille d'ajustement d'air est mal alignée. Saisir la goupille d'ajustement d'air et pivoter (pousser) la goupille loin de vous. En même temps que vous poussez la goupille, observer la flamme du brûleur principal et lorsque celle-ci commence à produire une flamme jaune, vous devez arrêter de pousser la goupille. Dévisser la goupille d'ajustement d'air du support de la chambre jusqu'à ce que la flamme jaune du brûleur principal soit éliminée. Maintenant, la goupille d'ajustement d'air est supposée être alignée. La réduction d'air primaire adoucira la flamme du brûleur principal et éliminera le sifflement.

Pour le Gaz Propane ou Gaz Naturel, si une flamme jaune se produit, dévisser la goupille d'ajustement d'air du support de la chambre mais n'enlever pas complètement la goupille. La remise en place de la goupille augmentera la quantité d'air primaire. L'augmentation d'air primaire avivera la flamme du brûleur principal et éliminera la flamme jaune.

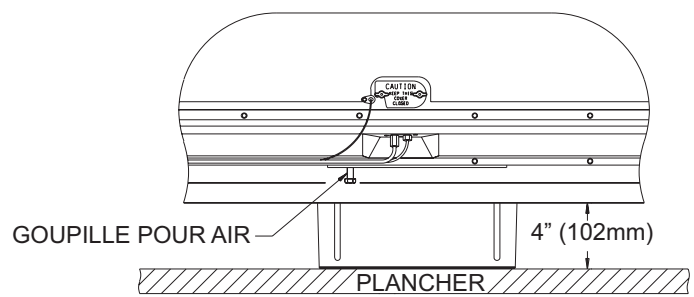


Figure 9



# MAINTENANCE

## Enlever le Brûleur Principal

1. Du brûleur de la veilleuse, débrancher la thermopile et la ligne d'alimentation de la veilleuse .
2. Enlever le couvercle du compartiment du brûleur.
3. Enlever l'écran protecteur de l'ouverture.
4. Enlever les boulons de chaque côté du brûleur et soulever.

## Nettoyage du Brûleur Principal

Le brûleur principal peut être nettoyé en forçant de l'eau dans les ouvertures et la gorge du brûleur. Le brûleur principal doit être séché ou chauffé pour enlever l'eau du brûleur.

## Enlever l'Ouverture du Brûleur Principal

1. Ouvrir le raccord en laiton situé après la valve de gaz.
2. Détacher le support de la valve.
3. Enlever le tuyau de 3/8" (10mm) qui est attaché au raccord coudé jusqu'à ce que le tuyau de gaz soit libre.
4. L'ouverture du brûleur principal est au bout du tuyau de gaz.

## Enlever l'Ouverture de la Veilleuse

1. Débrancher la ligne d'alimentation de la veilleuse du brûleur de la veilleuse.
2. Enlever l'ouverture de la veilleuse du brûleur de la veilleuse. Il peut être nécessaire de taper sur le brûleur de la veilleuse de façon à enlever l'ouverture de la veilleuse.

Nettoyage de l'Ouverture de la Veilleuse Après l'utilisation, un nettoyage du brûleur de la veilleuse peut être exigé pour obtenir une flamme convenable. Aussi, le nettoyage du brûleur de la veilleuse peut être exigé à cause des araignées (fils d'araignées). L'ouverture de la veilleuse peut être nettoyée avec de l'air à haute pression ou en plaçant sous l'eau courante. L'ouverture de la veilleuse doit être sèche avant de replacer. Employer un nettoyeur à tuyau pour nettoyer l'intérieur de la veilleuse après que l'ouverture de la veilleuse soit enlevée.

## Nettoyage de la Chambre de Combustion

Lorsque le brûleur principal et le capuchon d'évent sont enlevés, toutes les parties internes de la chambre de combustion sont accessibles pour le nettoyage. Utiliser un tuyau d'aspirateur pour nettoyer.

# DÉTECTION DES DÉFECTUOSITÉS

1. Une allumette allumée s'éteint lorsqu'elle entre dans l'orifice d'allumage.
  - a. Certaines conditions du vent éteindra l'allumette. Allumer l'allumette et aussitôt qu'elle s'enflamme, enfoncer l'allumette à travers l'ouverture.
  - b. Ouvrir une porte ou une fenêtre près de l'appareil et essayer d'allumer la veilleuse.
2. La veilleuse s'enflamme mais s'éteint lorsque le bouton est relâché.
  - a. Voir Les Instructions d'Allumage. Essayer d'allumer la veilleuse.
  - b. Allumer la veilleuse et baisser le bouton plus longtemps et fermement. Fermer le couvercle de l'orifice d'allumage juste après l'allumage. Vérifier pour une bonne flamme de la veilleuse.
  - c. Thermopile défectueuse ou un aimant défectueux dans la partie de sécurité de la valve. Remplacer.
3. La flamme de la veilleuse est jaune.
  - a. Obstruction à l'ouverture de la veilleuse.
  - b. Nettoyer l'ouverture de la veilleuse.
4. La veilleuse et le brûleur principal s'éteignent lors d'une opération normale.
  - a. Vérifier les millivolts.
  - b. Vérifier pour voir si vous obtenez la grandeur convenable pour la flamme de la veilleuse.
  - c. Vérifier la thermopile. Celle-ci peut être défectueuse ou faible.
  - d. Vérifier l'entrée, réduire au besoin.
  - e. Le couvercle sur l'ouverture de l'allumeur de la veilleuse doit être bien fermé.
5. Vérifier les tuyaux d'air et d'échappement pour qu'ils soient bien ajustés aux deux extrémités de l'assemblage de l'évent. Vérifier qu'il n'y ait aucune obstruction autour de l'évent qui empêcherait le vent de frapper l'évent également.
5. Le thermostat ne met pas en marche le brûleur principal.
  - a. Vérifier l'installation électrique.
  - b. Vérifier toutes les lectures de millivolt.
  - c. Vérifier s'il y a des araignées dans l'ouverture du brûleur principal.
6. La flamme jaune du brûleur principal couvre de suie le capuchon d'évent.
  - a. Voir page 11 "Ajustement d'air primaire".
  - b. Enlever le brûleur principal pour vérifier s'il y a une obstruction dans les ouvertures et dans la gorge.
  - c. Installer une nouvelle ouverture du brûleur principal et une nouvelle ouverture de la veilleuse. Référez à la liste des pièces, page 13.
7. Avec le gaz propane, un bruit de sifflement (résonance) survient.
  - a. Voir page 11, "Ajustement d'air primaire".
  - b. Réduire les pressions dans les tuyaux.
  - c. Percer l'ouverture du brûleur principal avec une mèche d'une perceuse. Pour le DV-25, employer une mèche #54. Pour le DV-35 employer une mèche #50.



# FAÇON DE COMMANDER LES PIÈCES DE RÉPARATION

Les pièces peuvent être commandées seulement par l'entremise du technicien d'entretien ou du vendeur. Pour de meilleurs résultats, le technicien d'entretien ou le vendeur devrait commander les pièces chez le distributeur. Les pièces peuvent être expédiées directement au technicien d'entretien ou au vendeur.

Toutes les pièces énumérées dans la liste ont un numéro de pièce. Lorsque vous commandez des pièces, premièrement obtenez le numéro du modèle sur la plaque d'identification de l'appareil. Puis en vous référant à l'illustration et à la liste des pièces, déterminer le numéro de la pièce (pas le numéro d'index) et la description de chaque pièce. Soyez certain de donner toutes ces informations.

Numéro du modèle du radiateur \_\_\_\_\_ Description de la pièce \_\_\_\_\_  
 Numéro de série du radiateur \_\_\_\_\_ Numéro de la pièce \_\_\_\_\_  
 Sorte de Gaz (Propane ou Naturel) \_\_\_\_\_

Ne pas commander les boulons, les vis, les rondelles ou les écrous. Ce sont des pièces standard que vous pouvez acheter dans les quincailleries.

L'expédition des marchandises se fera sans délai, excepté en cas de grèves, de feux ou toutes autres circonstances indépendantes de notre volonté.

Empire Comfort Systems, Inc. Nine Eighteen Freeburg Ave. Belleville, Illinois 62222-0529

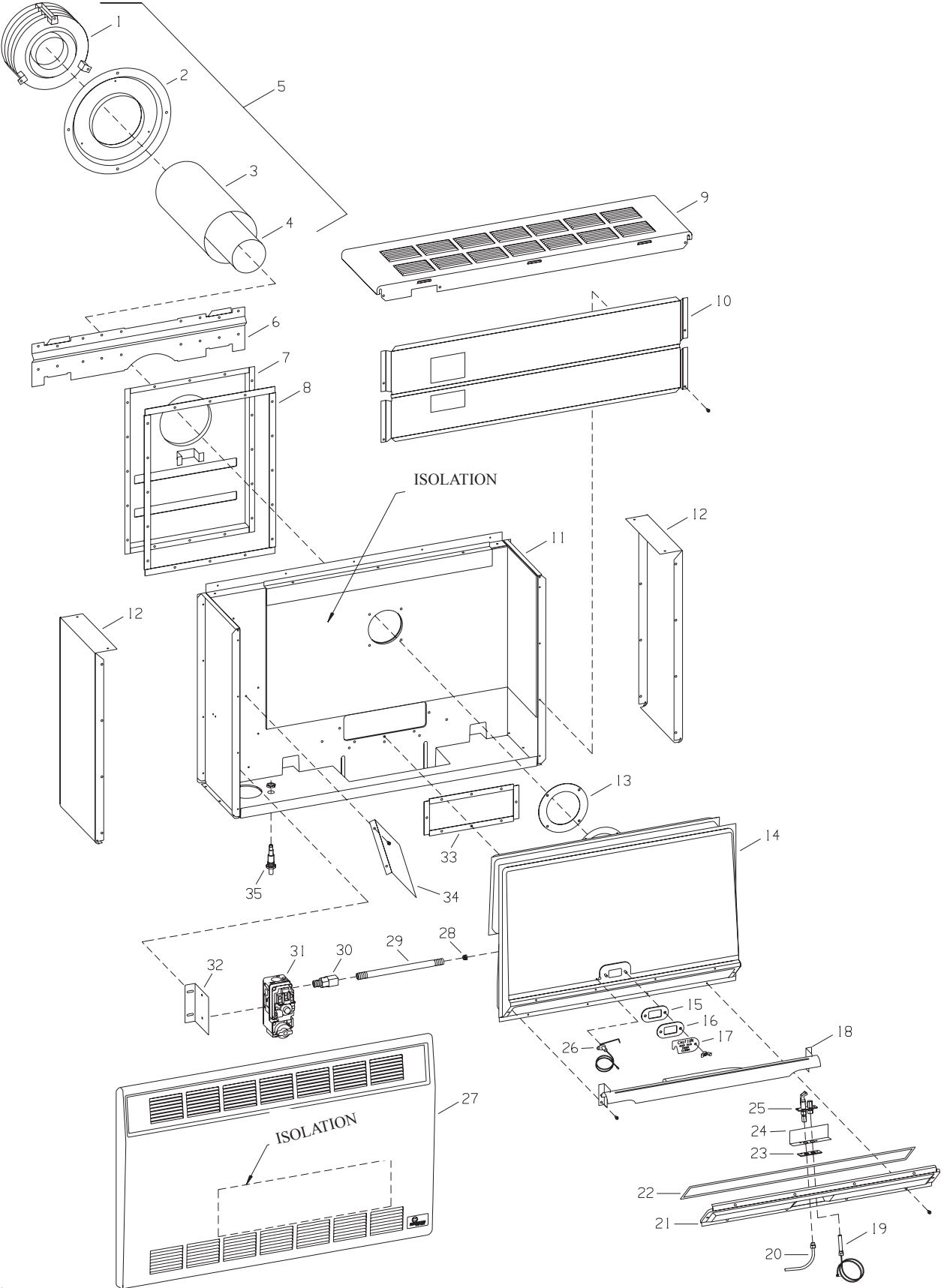
## LISTE DES PIÈCES

S'il vous plaît noter: Lorsque vous commandez les pièces, il est très important que le numéro de la pièce et la description coïncident.

NUMÉRO D'INDEX	NUMÉRO DE LA PIÈCE	DESCRIPTION	NUMÉRO D'INDEX	NUMÉRO DE LA PIÈCE	DESCRIPTION
1	DV-769	Capuchon de l'évent	24	DV-994	Écran pour la veilleuse
2	DV-131	Plaque extérieure de montage	25	R-2224	Brûleur de la veilleuse avec ouverture (gaz naturel)
3	DV-548	Tuyau d'arrivée d'air			
4	DV-524	Tuyau d'échappement	25	R-2223	Brûleur de la veilleuse avec ouverture (gaz propane)
5	DV-757	Assemblage complet d'évent			
6	DV-899	Support de fixation mural	26	DV-772	Electrode et assemblage des fils électriques
7	DV-900	Assemblage de l'arrivée de la descente d'air	27	DV-913	Paroi frontale
8	DV-762 & DV-763	Joint d'étanchéité - Descente d'air (exige 2 de chaque)	28	742155	Ouverture du brûleur (DV-25 gaz naturel)
9	DV-951	Paroi du dessus	28	742238	Ouverture du brûleur (DV-25 gaz propane)
10	DV-901	Écran de chaleur	28	P-86-38	Ouverture du brûleur (DV-35 gaz naturel)
11	DV-902	Paroi intérieure (US)	28	742233	Ouverture du brûleur (DV-35 gaz propane)
11	15665	Paroi intérieure (Canada)	29	P-190	Tuyau de gaz
12	RH-705	Paroi des côtés (exige 2)	30	P-191	Assemblage d'union du tuyau de gaz
13	712036	Joint d'étanchéité - Support de la sortie d'échappement	31	R-5600	Soupape de gaz (gaz naturel) 7000 MVRLC
14	DV-903	Chambre de combustion (DV-25)	31	R-5601	Soupape de gaz (gaz propane) 7000 MVRLC
14	DV-904	Chambre de combustion (DV-35)	32	DV-1003	Support de la soupape
15	712098	Joint d'étanchéité - Ouverture d'allumage	33	DV-764 & DV-765	Joint d'étanchéité - Support de la chambre (exige 2 de chaque)
16	DV-781	Assemblage du couvercle pour l'ouverture d'allumage avec un mica transparent	34	DV-908	Écran de la soupape
17	DV-064	Plaque de couverture	35	R-2708	Piezo-allumeur
18	DV-988	Brûleur principal (DV-25)	Pas Représenté	742158	Ouverture de la veilleuse (gaz naturel)
18	DV-990	Brûleur principal (DV-35)	Pas Représenté	742266	Ouverture de la veilleuse (gaz propane)
19	672063	Thermopile	Pas Représenté	662021	Thermostat mural à millivolt
20	DV-1004	Tuyauterie de la veilleuse avec raccords	Pas Représenté	DV-885	Ensemble de quincaillerie
21	RH-238	Porte du brûleur	Pas Représenté	922113	Section de l'opérateur - Nat
22	DV-778	Joint d'étanchéité - Porte du brûleur	Pas Représenté	922217	Section de l'opérateur - PL
23	712051	Joint d'étanchéité - Brûleur de la veilleuse	Pas Représenté	652121	Régulateur - Nat
			Pas Représenté	652211	Régulateur - PL
			Pas Représenté	13298	Support pour le thermostat

Utiliser seulement les pièces de remplacement du fabricant. L'emploi de d'autres pièces peut causer des blessures ou la mort.

# VUE DES PIÈCES



# INSTRUCTIONS POUR L'INSTALLATION DE LA SOUFFLERIE FACULTATIVE

## SOUFFLERIE FACULTATIVE DRB-1

Radiateur Individuel à Air Pulsé RH-25-(1, 2, 4, 5, 6) et RH-35-(1, 2, 4, 5, 6)

Radiateurs Muraux à Évacuation Directe DV-25-(1, 2)SG et DV-35-(1, 2)SG

### Installation de la Soufflerie Facultative DRB-1

1. Pour RH-25-(1, 2, 4, 5, 6) et RH-35-(1, 2, 4, 5, 6), enlever la paroi frontale du radiateur.
1. Pour DV-25-(1, 2)SG et DV-35-(1, 2)SG, enlever la paroi frontale du radiateur et l'écran de chaleur.
2. Lorsque vous êtes devant l'appareil, introduire l'assemblage de la soufflerie dans la partie gauche de la paroi (adjacente à la chambre de combustion).
3. Pour RH-25-(1, 2, 4, 5, 6) et RH-35-(1, 2, 4, 5, 6), acheminer le cordon électrique à travers l'ouverture sur la paroi arrière. L'ouverture sur la paroi arrière est située à côté du contrôle de gaz.
3. Pour DV-25-(1, 2)SG et DV-35-(1, 2)SG, acheminer le cordon électrique à travers l'ouverture du bas de la paroi. L'ouverture du bas de la paroi est située sous le contrôle de gaz.
4. Aligner les 2 trous de vis sur le côté intérieur du panneau et les 2 trous de vis sur la paroi arrière avec les 4 trous libres sur l'assemblage de la soufflerie. Attacher l'assemblage de la soufflerie à la paroi arrière et au côté intérieur du panneau avec 4 vis #10 x 1/2" (13mm). Les vis sont fournies. Vous devez premièrement attacher l'assemblage de la soufflerie à la paroi arrière et après au côté intérieur du panneau.
5. Pour RH-25-(1, 2, 4, 5, 6) et RH-35-(1, 2, 4, 5, 6), remplacer la paroi frontale.
5. Pour DV-25-(1, 2)SG et DV-35-(1, 2)SG, remplacer l'écran de chaleur et la paroi frontale.

**ATTENTION:** Le harnais de fils électriques sur la soufflerie est assemblé et installé à l'usine. Si le harnais de fils électriques se désassemble, suivez les étapes suivantes pour le réassembler.

1. Attacher l'axe terminal du fil noir (sous tension) ayant une gaine lisse à la prise terminale sur l'assemblage du contrôleur du ventilateur.
2. Attacher l'axe terminal du fil noir (neutre) ayant la gaine nervurée à la prise terminale du fil blanc (neutre) du moteur.
3. Attacher l'axe terminal de l'assemblage du contrôleur du ventilateur à la prise terminale du fil noir (sous tension) du moteur.
4. Attacher le fil vert de la prise de terre avec une des vis #10 x 1/2" (13mm) de la cage de la soufflerie.

### Contrôle du Ventilateur

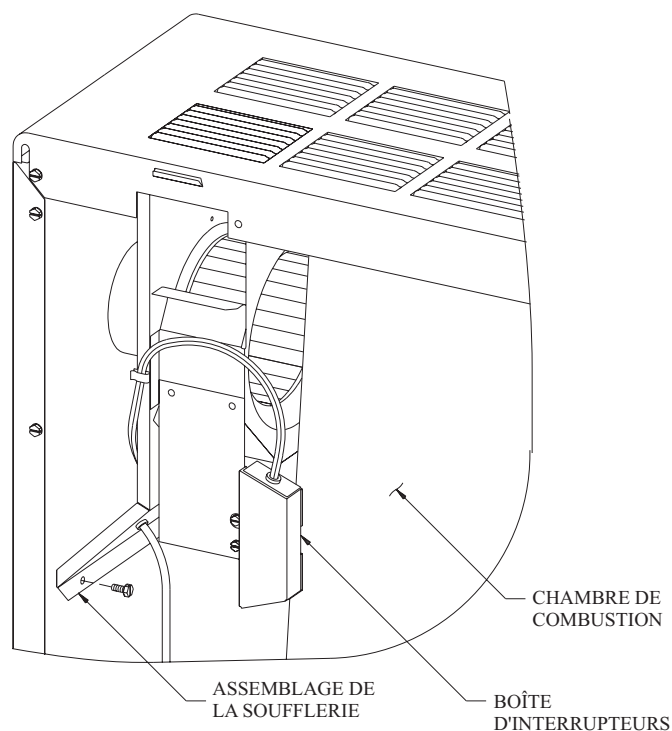
Le contrôle automatique du ventilateur est situé dans la boîte d'interrupteurs. La boîte d'interrupteurs est attachée au devant de l'assemblage de la soufflerie. La boîte d'interrupteurs est adjacente à la chambre de combustion. Le contrôle du ventilateur est un genre automatique qui ne peut pas être ajusté. Le contrôle du ventilateur exige entre 5 et 10 minutes de fonctionnement du brûleur principal avant que le contrôle du ventilateur se "ferme" et active la soufflerie. La soufflerie continuera de fonctionner entre 5 et 10 minutes après la fermeture du brûleur principal et avant que le contrôle du ventilateur "s'ouvre" et arrête la soufflerie.

### Pose des Fils Électriques

Si vous utilisez une source électrique extérieure, l'appareil, lorsqu'il est installé, doit avoir une prise de terre conforme avec les codes locaux ou dans l'absence de codes locaux, avec le National Electrical Code, ANSI/NFPA 70 ou Canadian Electrical Code, CSA C22.1. Pour votre protection contre les dangers de chocs, cet appareil est muni d'une fiche à trois broches (prise de terre) qui doit être branchée directement dans une prise de courant femelle qui a été convenablement mise à terre. Ne pas couper ou enlever la broche de mise à terre de cette fiche. Pour une prise de courant femelle qui n'a pas de mise à terre, un adaptateur qui a deux broches et un fil de mise à terre peut être acheté et branché dans la prise de courant femelle qui n'a pas de mise à terre et le fil doit être attaché à la vis du support de la prise de courant. Avec ce fil complétant la mise à terre, la fiche de l'appareil peut être branchée dans l'adaptateur.

**AVERTISSEMENT:** Lors de l'entretien des commandes, tous les fils doivent être identifiés avant de les débrancher. Une erreur de filetage peut entraîner un mauvais et dangereux fonctionnement. Vérifier que le fonctionnement soit convenable après l'entretien.

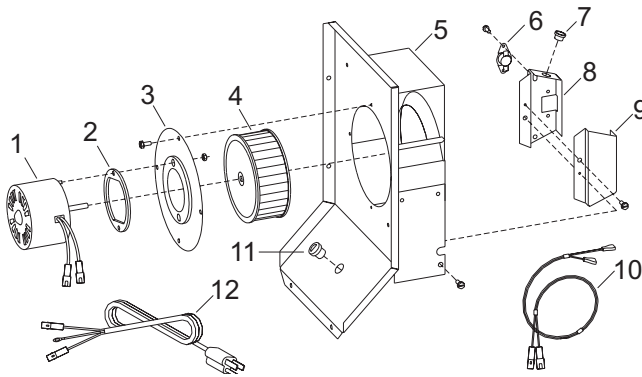
**AVERTISSEMENT:** Débrancher l'accessoire de la soufflerie n'arrêtera pas le cycle de l'appareil de chauffage. Pour fermer l'appareil: tourner le cadran de température ou le thermostat à son plus bas réglage. Tourner le bouton pour le contrôle du gaz à "OFF", relâcher légèrement. Ne pas forcer.



## INSTRUCTIONS POUR L'INSTALLATION DE LA SOUFFLERIE FACULTATIVE (suite)

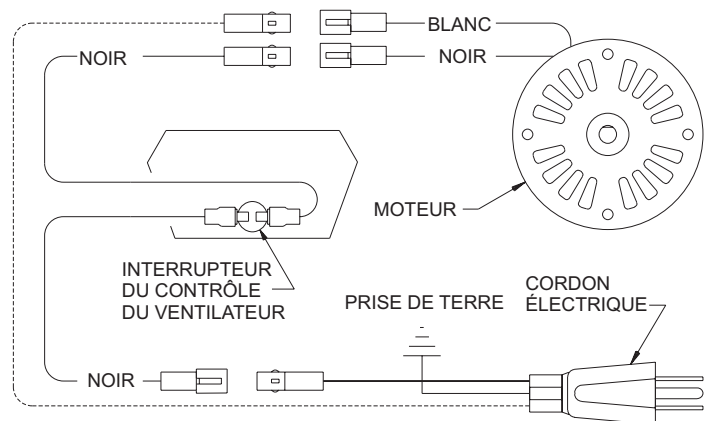
### Nettoyage

La roue de la soufflerie amassera de la poussière et pourra nécessiter un nettoyage une fois par année. Une roue sale occasionnera une diminution de la sortie d'air ou une augmentation du niveau de bruit. Nous recommandons d'enlever complètement la roue et de la brosser avec une brosse sous l'eau courante.



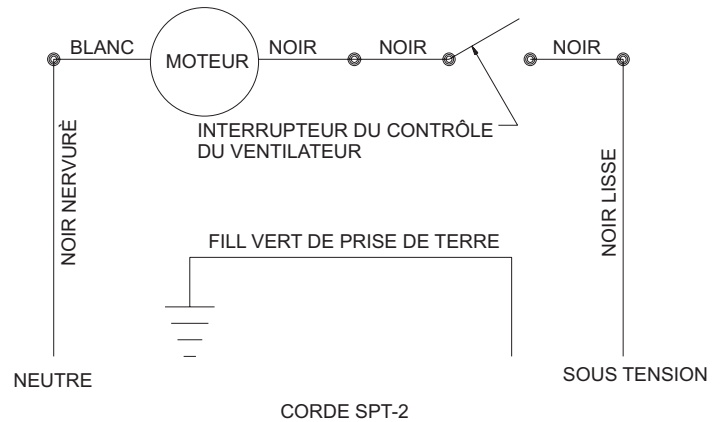
### LISTE DES PIÈCES

Numero d'Index	Numero De la Pièce	Description
1	R-2090	Moteur
2	632016	Coussin du moteur
3	RH-036	Support du moteur
4	642030	Roue de la soufflerie
5	RH-710	Assemblage de la cage de la soufflerie
6	9120106	Interrupteur du contrôle du ventilateur
7	872087	Manchon Heyco
8	DV-806	Boîte d'interrupteur
9	DV-807	Couvercle de la boîte d'interrupteur
10	R-2091	Assemblage des fils 19" (483mm)
11	8720161	Manchon Heyco
12	R-2099	Cordon électrique 72" (1.83m)



— NOIR SOUS TENSION-GAINE LISSE  
 - - - NOIR NEUTRE-GAINE NERVURÉE

S'il y a un fil original, fourni avec l'appareil, qui doit être remplacé, il doit être remplacé avec un fil isolant 125°C 2/64 OU L'Équivalent.



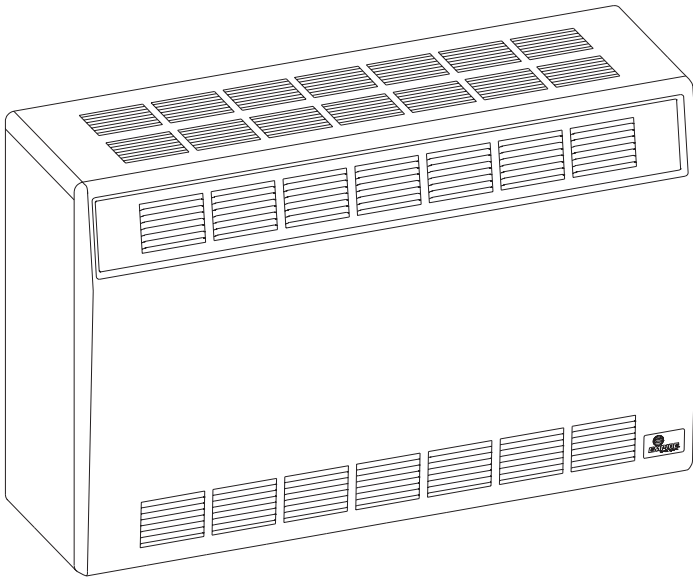
Empire Comfort Systems Inc.  
 918 Freeburg Ave. Belleville, IL 62220

Pour toute question générale concernant nos produits, veuillez nous envoyer un courriel à [info@empirecomfort.com](mailto:info@empirecomfort.com). Pour toute question d'entretien ou de réparation, veuillez contacter votre revendeur.

[www.empirecomfort.com](http://www.empirecomfort.com)



# INSTRUCCIONES DE INSTALACION Y MANUAL DEL PROPIETARIO



## CALENTADOR DE PARED DE VENTILACION DIRECTA

MODELOS  
DV-25-2SG  
DV-35-2SG



**ADVERTENCIA:** Al no seguir la información de este manual correctamente, existe el peligro de incendio o explosión, ocasionando daños o pérdidas individuales o de bienes materiales.

- No almacene ni utilice gasolina o cualquier otro líquido o combustible en la proximidad de este o cualquier otro aparato.
- **QUÉ HACER SI HUELE A GAS**
  - No encienda ningún aparato.
  - No encienda ningún interruptor eléctrico; no utilice ningún teléfono en el edificio.
  - Desde el teléfono de un vecino llame inmediatamente a su suministrador de gas y siga sus instrucciones.
  - En caso de no poder comunicarse con su suministrador de gas, llame al Departamento de Bomberos.
- La instalación y el servicio deberán ser desempeñados por una persona capacitada, agencia de servicio o el suministrador de gas.

Instalador: Dele estas instrucciones al cliente.

Cliente: Mantenga estas instrucciones como referencia un futuro.

Este aparato puede instalarse en una casa móvil permanentemente ubicada después de la venta (sólo en EEUU) o casas móviles, donde no lo prohíban códigos estatales o locales.

Este aparato es únicamente para usarse con el tipo de gas indicado en la placa de características. Este aparato no es para convertirse a otro tipo de gas, a menos que un conjunto certificado se use.

**ADVERTENCIA:** Si no se instala, opera o no se mantiene según instrucciones del fabricante, este producto podría exponerlo a las sustancias en combustión o de combustión que pueden ocasionar muerte o enfermedad seria.

# TABLA DE CONTENIDO

SECCIÓN	PÁGINA
Importante Información de Seguridad.....	3
Información de Seguridad para Usuarios de Gas Propano (LP) .....	4
Requisitos Para el Estado de Massachusetts .....	5
Introducción.....	6
Especificaciones .....	6
Abastecimiento de Gas.....	7
Espacios Libres .....	8
Instrucciones de Instalación .....	8-10
Ubicación del Termostato.....	10
Instrucciones de Encendido.....	11
Flama Correcta del Piloto.....	12
Flama Correcta del Quemador Principal.....	12
Mantenimiento del Aparato .....	13
Información de Reparación para Personas Calificadas de Servicio .....	13
Como Pedir Partes de Repuesto .....	14
Lista de Partes .....	14
Vista de Partes .....	15
Ventilador Opcional Instrucciones de Instalación.....	16-17
Notas de Servicio Técnico.....	18-19



# IMPORTANTE INFORMACIÓN DE SEGURIDAD

## ESTE ES UN APARATO DE CALEFACCIÓN

NO OPERE ESTE APARATO SIN EL PANEL FRONTAL INSTALADO.

- Debido a temperaturas altas, el aparato debería ubicarse fuera del tránsito y lejos de muebles y tapizados.
- Niños y adultos deberían alertarse del peligro de la temperatura alta de superficie y deberían permanecer lejos para evitar ignición de ropa o quemaduras.
- Niños infantiles deberían cuidadosamente supervisarse cuando ellos estén en la misma sala con el aparato.
- Ropa u otros materiales inflamables no deben colocarse encima o cerca de este aparato.
- Cualquier pantalla de seguridad o panel que se substituya para su servicio debe reemplazarse antes de operar de nuevo este aparato.
- Mantenga el compartimiento de control y quemador limpios.
- La instalación y la reparación debería ser hecha por una persona calificada de servicio. El aparato debería chequearse antes del uso y por lo menos anualmente por un persona de servicio profesional. Una limpieza más frecuente puede requerirse debido a hilachas de alfombra, materiales de cama, etc. Es imperativo que compartimientos de control, quemadores y pasadizos de aire del aparato se guarden limpios.
- NO coloque nada alrededor del calentador que pueda obstruir el flujo de combustión y de respiración de aire.
- MANTENGA el área de este aparato libre de material de combustión, gasolina o de otros vapores o líquidos inflamables.
- EXAMINE el sistema de respiración periódicamente y substituya las partes dañadas.
- HAGA inspecciones visuales periódicas del piloto y los quemadores. Limpie y reemplace cualquier parte dañada.
- No use este calentador de sala si alguna parte ha estado bajo el agua. Inmediatamente llame a un técnico de servicio calificado para que chequee el calentador y para reemplazar cualquier parte del sistema de control y cualquier control de gas que haya estado bajo agua.

## INFORMACIÓN DE SEGURIDAD PARA USUARIOS DE GAS PROPANO (LP)

Gas propano (LP-GAS) es un gas inflamable el cual puede causar fuegos y explosiones. En su estado natural, el propano (LP) no tiene olor ni color. Ud necesita saber todas las siguientes precauciones las cuales lo pueden protegerlo junto con su familia en caso de accidente. Léalas cuidadosamente ahora, luego revíselas de nuevo

punto por punto con los miembros de su casa. Algún día cuando no tenga un minuto que perder, la seguridad de todos dependerá de exactamente que hacer. Si después de leer la siguiente información, siente que necesita más información, por favor, contacte a su suplidor de gas.

### PRECAUCION CON EL OLOR DEL PROPANO (LP-GAS)

Si ocurriera una fuga de gas, Ud puede olerla ya que al gas propano se le pone un olor a perfume.

Esta es su señal para tomar acción inmediata!

- No opere tomacorrientes eléctricos, no encienda fósforos, no use el teléfono. No haga nada que pueda encender el gas.
- Saque a todas las personas afuera del edificio, vehículo, trailer o área. Haga esto INMEDIATAMENTE.
- Cierre todas las válvulas del tanque de gas o suplidor del cilindro.
- El gas propano es más pesado que el aire y se puede estacionar o quedar suspendido en áreas inferiores como en sótanos. Cuando Ud sospeche que exista fuga de gas, manténgase lejos de sótanos u otras áreas inferiores. Quédese afuera hasta que los

bomberos las hayan declarado fuera de peligro.

- Use el teléfono de su vecino y llame a un reparador entrenado o al departamento de incendios. Aún cuando Ud deje de oler gas no abra de nuevo el gas. No entre al edificio, al vehículo, trailer o al área.
- Finalmente, deje que el reparador y los bomberos verifiquen la fuga de gas. Dígale a ellos que airen el área antes de regresar. Reparadores entrenados deben reparar la fuga, luego deben verificar y encenderle su aparato de gas.

### EL OLOR NO SE DETECTA - EL OLOR DESAPARECE

Alguna gente no puede oler bien. Alguna gente no puede oler el aroma a hediondez química que se le pone al gas. Ud debe averiguar si puede oler el aroma a gas propano (LP). El fumar puede afectar su habilidad para oler bien. Estar alrededor del aroma por un tiempo puede afectarle su sensibilidad en detectar este aroma. Algunas veces otros aromas en el área detiene el aroma a gas. La gente puede no oler el aroma a gas o sus mentes están en alguna otra cosa. El pensar en oler aroma a gas puede facilitar el oler.

El aroma en el gas propano (LP-GAS) no tiene color y puede desaparecer en algunas circunstancias. Por ejemplo, si existiera una fuga bajo tierra, el movimiento del gas a través de la tierra puede filtrar el aroma. Aromas en el gas propano son también sujetos a

oxidación. Esta desaparición puede ocurrir en caso de que existiera herrumbre adentro del tanque de depósito o en la tubería de gas. El aroma en gas disipado puede absorberse en las paredes, pisos u otros materiales o telas en cuartos. Estos puede sacar el aroma del gas, lo que reduciría la intensidad del olor.

El gas LP puede estratificarse (conservarse) en una área cerrada, y la intensidad de su aroma puede variar a diferentes niveles. Como es más pesado que el aire, pueden existir aromas a niveles inferiores. Manténgase bien sensible al menor aroma de gas. Si detecta cualquier olor, trátele como una fuga de gas. Inmediatamente tome acción apropiada como se le ha indicado en el párrafo anterior.

### PUNTOS PARA RECORDAR

- Aprenda a reconocer el olor a gas propano (LP). Su vendedor local de gas puede darle a Ud un panfleto de "Rascar y Oler". Uselo para averiguar como es que huele el gas propano. Si Ud sospecha que su aparato tiene un olor a propano débil o anormal, llame a su vendedor local de gas.
- Si Ud no está calificado, no encienda la llama del piloto, no le dé servicio y no ajuste ningún aparato en el sistema de gas LP. Si Ud está calificado, consistentemente piense en el aroma u olor antes y durante el encendido de la llama del piloto o cuando le dé servicio o ajuste los aparatos del calentador.
- Algunas veces el sótano o una casa que ha permanecido cerrada tienen olor a humedad que puede bloquear el olor a gas LP. No trate de encender la llama del piloto, o de darle servicio al aparato, o de ajustar aparatos alrededor donde las condiciones son tales que Ud no pueda detectar el olor en caso que haya habido una fuga de gas LP.
- Olor puede disiparse, por oxidación de herrumbre o absorberse en paredes de cilindros o tanques nuevos. Por consiguiente, las personas deben de estar bien alertas y cuidadosas cuando los cilindros y tanques se pongan en servicio. La disipación del olor puede ocurrir en tanques nuevos o en tanques viejos recién

instalados, si fueran llenados y se dejan estacionados demasiado tiempo antes que se rellenen. Cilindros y tanques que hayan estado fuera de servicio por algún tiempo pueden desarrollar herrumbre interna lo que puede causar disipación del olor. Si se sospecha que exista esta condición, olfatear periodicamente es recomendable. Si tiene cualquier pregunta acerca el olor de gas, llame a su vendedor de gas LP. Un olfateo periódico es una buena medida de seguridad en estas condiciones.

- Si, en cualquier momento Ud no huele el aroma del gas LP, y Ud cree que debería olerlo, asuma que tiene una fuga de gas. Luego tome la acción inmediata que se le recomienda en el párrafo anterior cuando si se detecta el aroma a gas LP.
- Si Ud experimenta un "desgase" (el contenedor no está en vapor de presión), cierre la válvula del contenedor inmediatamente. Si la válvula del contenedor se ha dejado abierta, el contenedor puede haber chupado aire a través de aberturas como el orificio de la llama del piloto. Si esto ocurriera, herrumbre interno ha ocurrido. Si la válvula se ha dejado abierta, asuma que el tanque esté como nuevo. Siempre asegúrese que su contenedor esté sometido a presión de vapor, cerrándolo en la válvula del contenedor antes de que se vacie completamente o rellénelo antes de que esté completamente vacío.

# REQUISITOS PARA EL ESTADO DE MASSACHUSETTS

Para todos los artefactos a gas de pared y tiro balanceado horizontal instalados en cada vivienda, edificio, o estructura, utilizados total o parcialmente para fines residenciales, incluyendo aquellos operados por la Mancomunidad, y donde el sistema de ventilación está a menos de 7 pies (2.13 m) por sobre el nivel del piso del área de ventilación, incluido pero no limitado a cubiertas y porches, deberán cumplir con los siguientes requisitos:

1. **INSTALACION DE DETECTORES DE MONOXIDO DE CARBONO.** Al momento de instalar artefactos a gas de pared y tiro balanceado horizontal, el plomero o instalador deberá estar atento a que haya un detector de monóxido de carbono eléctrico instalado, que incluya alarma y batería de emergencia, a nivel del piso donde el calefactor ha de ser instalado. También, el plomero o instalador deberá estar atento a que haya un detector de monóxido de carbono eléctrico instalado, que incluya alarma y batería de emergencia, en todos los pisos de la vivienda, edificio, o estructura donde se hallen los artefactos mencionados. Será responsabilidad del propietario asegurar que la instalación de los detectores de monóxido de carbono eléctricos sea realizada por profesionales calificados y matriculados
  - a. En caso que el artefacto a gas de pared y tiro balanceado horizontal se instale en espacios poco transitados o áticos, el detector de monóxido de carbono eléctrico, que incluya alarma y batería de emergencia, puede ser instalado en el piso próximo inmediato.
  - b. En caso que los requisitos de esta cláusulas no puedan ser completados al momento de la instalación, el propietario dispondrá de un período de treinta (30) días para completar los requisitos ya mencionados. No obstante ello, durante ese período de treinta (30) días, se deberá instalar un detector de monóxido de carbono eléctrico que incluya alarma.
2. **DETECTORES DE MONOXIDO DE CARBONO APROBADOS.** Cada detector de monóxido de carbono, como requisito y de acuerdo a las cláusulas anteriores, deberá cumplir con las normas NFPA 720 y ANSI/UL 2034 listada y certificada por el IAS.
3. **SEÑALIZACION.** Se colocará un cartel plástico o metálico en el exterior del edificio a una altura mínima de 8 pies (2.45 m) del piso, y directamente por sobre el terminal de ventilación del artefacto a gas de pared y tiro balanceado horizontal. El cartel tendrá caracteres superiores a 1/2 pulgada (13 mm) que exprese la siguiente leyenda: **“GAS VENT DIRECTLY BELOW. KEEP CLEAR OF ALL OBSTRUCTIONS”**.
4. **INSPECCION.** El inspector local o estatal no aprobará la instalación del artefacto a gas de pared y tiro balanceado horizontal a menos que, durante la inspección, haya corroborado la instalación del detector de monóxido de carbono y la colocación de la señalización, conforme a las cláusulas del 248 CMR 5.08(2)(a) 1 al 4.
  - (b) Excepciones: Los siguientes artefactos están exmptos del 248 CMR 5.08(2)(a) 1 al 4:
    1. Los artefactos no listados en el Capítulo 10 titulado “Equipment Not Required To Be Vented” de la más reciente edición del NFPA 54, según aprueba su directorio; y
    2. Producto Aprobado a gas de pared y tiro balanceado horizontal, instalado en una sala o estructura separada de la vivienda, edificio, o estructura, utilizados total o parcialmente para fines residenciales.
  - (c) **REQUISITOS PARA FABRICANTES - COMPONENTES PROVISTOS DE SISTEMA DE VENTILACION.** Cuando el fabricante del Producto Aprobado a gas de pared y tiro balanceado horizontal provea planos o componentes del sistema de ventilación junto al artefacto, deberá también proveer las instrucciones completas que incluyan lo siguiente:
    1. Instrucciones detalladas de planos o instalación de los componentes del sistema de ventilación.
    2. Un completo listado de partes o planos del sistema de ventilación.
  - (e) Una copia de las instrucciones de instalación del Producto Aprobado a gas de pared y tiro balanceado horizontal, que incluya instrucciones acerca de componentes y/o planos del ventilación, con su correspondiente listado de partes, debe ser dejada junto al calefactor luego de su completa instalación.

# INTRODUCCIÓN

## Introducción

Siempre consulte su Departamento local de Construcción con respecto a regulaciones, códigos u ordenaciones que se aplican a la instalación de un calentador de sala.

## Instrucciones al Instalador

1. El instalador debe dejar el manual de instrucciones con el propietario después de la instalación.
2. El instalador debe ver que el propietario llene la tarjeta de garantía que se incluye con el calentador y la mande por correo.
3. El instalador debe mostrarle al propietario como encender y operar el calentador de sala y el termosto.

### ADVERTENCIA

ADVERTENCIA: CUALQUIER CAMBIO A ESTE CALENTADOR O A SUS CONTROLES PUEDE SER PELIGROSO.

Cualquier pantalla de seguridad que se desmonte para atender el aparato debe reemplazarse antes de volver a operar el calentador.

## Información General

Esta familia de calentadores y su diseño están certificados de acuerdo con el American National Standard/CSA Standard Z21.86 y la CSA 2.32 por la Canadian Standard Association como una estufa de pared de gravedad para ser instalada en una pared externa de acuerdo a estas instrucciones.

Cualquier cambio de diseño, instalación otra que la que se muestra en estas instrucciones o uso con otro tipo de gas que no se mencione en la placa de características es de la responsabilidad de la persona o compañía que hace el cambio.

## Importante

Toda correspondencia debería referirse al número de modelo completo, número de serie y tipo de gas.

AVISO: Durante el encendido inicial de esta unidad, la pintura se horneará, y humo aparecerá. Para prevenir que se active la alarma

de humo, ventile el cuarto donde se usará este aparato.

## Instalación en Cocheras Residenciales

Cualquier aparato que utilice gas en cocheras residenciales puede ser instalado siempre y cuando todos los quemadores y sus aparatos de encendido sean ubicados a 18 pulgadas (457mm) del piso.

Dicho aparato debe ser ubicado, o protegido contra daño físico producido por un vehículo en movimiento.

## Agencia Calificada de Instalación (PERSONA CALIFICADA DE SERVICIO)

Instalación y reemplazo de tubería de gas, equipo para la utilización de gas o accesorios, y reparación o mantenimiento de equipo debe hacerse únicamente por una agencia calificada. El término "agencia calificada" significa cualquier individuo, firma, corporación, o compañía la cual en persona o a través de un representante se encargue o sea responsable por (a) la instalación o reemplazo de tubería de gas por (b) la conexión, instalación, reparación, o servicio del equipo, el cual tiene experiencia en este tipo de trabajo y tiene conocimiento de todas las precauciones requeridas, y ha cumplido con todos los requerimientos de las autoridades jurídicas del caso.

Esta instalación debe concordar con códigos locales. En ausencia de códigos locales, la instalación debe concordar con National Fuel Gas Code, ANSI Z223.1/NFPA 54\*, Natural Gas and Propane Installation Code CSA B149.1.

\*Publicada por la American National Standards Institute, Inc., 11 West 42nd St., New York, N.Y. 10036.

## Altitudes Altas

Cuando las altitudes sean más de 2.000 pies (610m), la capacidad de entrada debe reducirse 4% por cada 1.000 pies (305m) de altura sobre el nivel del mar. Altitudes altas en Canada para ubicaciones teniendo una elevación arriba mencionadas significan niveles de mar entre 2.000 pies (610m) y 4.500 (1370m), la presión de entrada debe bajarse de 4.0" w.c. (.996kPa) a 3.2" w.c. (.797kPa) para gas natural y de 10.0" w.c. (2.49kPa) a 8.0" w.c. (1.99kPa) para gas propano.

# ESPECIFICACIONES

Modelo	DV-25	DV-35
Consumo BTU/HR (KW/H)	25,000 (7.3)	35,000 (10.3)
Altura	27 3/4" (705mm)	27 3/4" (705mm)
Ancho	37" (940mm)	37" (940mm)
Profundidad	11 1/2" (292mm)	11 1/2" (292mm)
Entrada de Gas	1/2" (13mm)	1/2" (13mm)
Accessories		
Ventilador	DRB-1	DRB-1
Conjunto Ventilación para Forro de Vinilo	DV-822	DV-822

# ABASTECIMIENTO DE GAS

La línea de gas puede entrar al aparato ya sea a través del piso o a través de la pared. El agujero para la línea de gas debe hacerse en este momento. La ubicación del agujero debe determinarse considerando la posición de las vigas y la válvula y su unión usada para su servicio.

## Diámetro Recomendado de Tubería

Longitud de Tubería (Pies)	Tubería		Tubo, Tipo L	
	Diámetro Interno		Diámetro Externo	
	Nat.	L.P.	Nat.	L.P.
0-10 0-3 meters	1/2"	3/8"	1/2"	3/8"
	12.7mm	9.5mm	12.7mm	9.5mm
10-40 4-12 meters	1/2"	1/2"	5/8"	1/2"
	12.7mm	12.7mm	15.9mm	12.7mm
40-100 13-30 meters	1/2"	1/2"	3/4"	1/2"
	12.7mm	12.7mm	19mm	12.7mm
100-150 31-46 meters	3/4"	1/2"	7/8"	3/4"
	19mm	12.7mm	22.2mm	19mm

Nota: Nunca use tubería de plástico. Pruebe para confirmar si los códigos locales le permiten usar tubo galvanizado o de cobre.

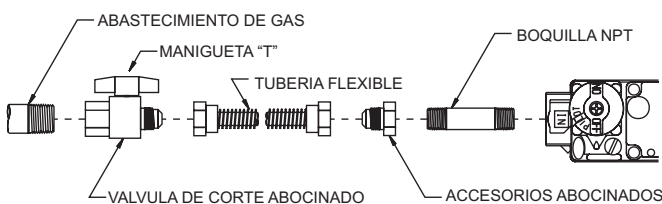
Nota: Como algunas municipalidades tienen códigos locales adicionales, siempre es mejor consultar los códigos y autoridades locales.

El uso de uno de las siguientes normas de gas son recomendadas:

- ANS Z21.24 Appliance Connectors of Corrugated Metal Tubing and Fittings.
- ANS Z21.45 Assembled Flexible Appliance Connectors of Other Than All-Metal Construction.

Las normas mencionadas arriba, pueden ser usadas siempre y cuando sean aceptadas por las autoridades jurídicas del caso. El estado de Massachusetts requiere que el conector flexible del aparato no exceda tres pies en longitud.

## CONEXION DE LINEA DE GAS FLEXIBLE



## CONEXION DE LINEA DE GAS RIGIDA

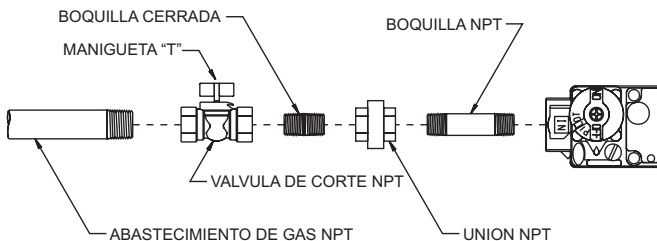


Figura 1

Consulte el presente National Fuel Gas Code, ANSI Z223.1 CAN/CGA-B149 (.1 or .2) código de instalación.

Instalando una Nueva Llave para Válvula  
Cada aparato debe tener su propia llave manual de gas.

La llave manual de gas debe ir localizada en la proximidad del aparato. Cuando no exista esta llave o donde su tamaño o ubicación no se adecuada, contacte el instalador local autorizado para su instalación o reubicación.

Componentes usados en juntas de rosca para tubería de gas deben ser resistentes a la acción de gases licuados derivados del petróleo. Las líneas de gas deben ser inspeccionadas por fugas por el instalador. Esto debe ser hecho con una solución de jabón mirando por posibles burbujas en todas las conexiones expuestas y, si las conexiones no están expuestas, una prueba de presión de gas debe hacerse.

Nunca use una llama expuesta para inspeccionar fugas. El aparato debe desconectarse de la tubería a la salida de la válvula, y sellarse cuando se pruebe la presión de gas. ¡Nunca pruebe la presión de gas estando el calentador conectado; la válvula se dañará!

Una unión para válvula de gas y para la conexión de tierra deben de instalarse en la línea de gas contracorriente de la válvula para ayudar durante su servicio. Se requiere según el National Fuel Gas Code que una línea de gotera sea instalada cerca de la salida de gas. Esta debe consistir en una tubería vertical 'T' conectada a la línea de gas que se selle en el fondo en donde pueda acumularse condensación o partículas foráneas.

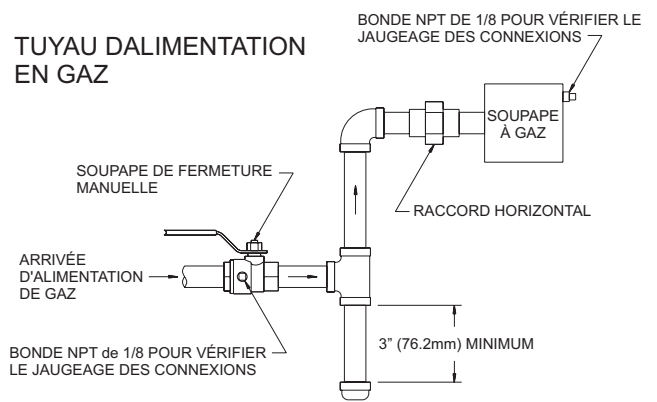


Figura 2

## Método de Instalación de Trampa de Sedimento

### Probando la Presión en el Sistema de Gas

1. Para inspeccionar la presión de entrada de la válvula de gas, una tapón sellado, de 1/8" (3mm) N.P.T. accesible para la conexión del manómetro, debe de colocarse inmediatamente sobre corriente a la conexión del suministro de gas del aparato.
2. Este aparato con su válvula deben desconectarse del sistema de tubería de suministro de gas durante la prueba de presión del sistema si esta presión excede 1/2 psig (3.5 kPa).
3. El aparato debe aislarse del sistema de tubería de suministro de gas cerrando la válvula manual durante cualquier prueba de presión si esta presión es igual o menos que 1/2 psig (3.5 kPa).

Atención! Si alguno de los procedimientos anteriores resulta en un exceso de presión de 1/2" psig (14" w.c.) (3.5 kPa) en la válvula del aparato, esto causará condiciones de peligro.

### Inspección de la Presión de Consumo

Modelos para gas natural tienen una presión de consumo de aproximadamente 4.0" w.c. (.996kPa) a la salida de la válvula con una presión de entrada de la válvula de un mínimo de 5.0" w.c. (1.245kPa) con el propósito de ajuste de entrada a un máximo de 10.5" w.c. (2.615kPa). Modelos para gas Propano tienen una presión de consumo de aproximadamente 10.0" w.c. (2.49kPa) a la entrada de la válvula, con una presión de entrada a la válvula de un mínimo de 11.0" w.c. (2.739kPa) con el propósito de ajuste de entrada a un máximo de 13.0" w.c. (3.237kPa).

Un tapón de 1/8" (3mm) N.P.T. accesible para el manómetro de presión de gas está localizado al lado, a la salida de la válvula de gas.



# ESPACIOS LIBRES

1. Cuando se seleccione una ubicación para instalación, es necesario proveer accesibilidad adecuada para su servicio e instalación correcta.
2. El aparato debe asegurarse a la pared por medio de un soporte.
3. El espacio libre mínimo de la carcasa a la pared es de 48" (121cm) hacia arriba, 6" (152mm) hacia cada lado y 4" (102mm) desde el piso o alfombra, azulejo u otro material de piso y 0" (0mm) a la pared trasera.
4. La distancia mínima desde el centro del casco de ventilación a la esquina exterior más cercana es de 24" (610mm).
5. La profundidad de pared mínima de los DV-25 y DV-35 es de 4 1/2" (114mm), y la máxima es de 13" (330mm). El uso de tubos no suplidos por el fabricante causaría una operación insatisfactoria.

La terminal de ventilación de un calentador de ventilación directa con un flujo interno de 50,000 BTU (14.6KW/H) por hora o menos debe ubicarse a por lo menos 9 pulgadas (229mm) de cualquier abertura a través de la cual gases producto de combustión puedan entrar en un edificio. La parte inferior de la terminal de ventilación junto con el tubo para la entrada de aire deben de instalarse a por lo menos 12 pulgadas (305mm) del nivel más alto del suelo y de cualquier pendiente.

Advertencia: El punto más cercano del casco de ventilación debe de estar a una mínima distancia horizontal de 6 pies (1.8m) de cualquier regulador de presión o medidor de gas. In case of regulator malfunction, the six (6) (1.83m) feet distance will reduce the chance of gas entering the vent cap.

## INSTRUCCIONES DE INSTALACIÓN

### Ubicación del Aparato

Escoja una ubicación en una pared externa con un espacio libre de 28" (711mm) de alto por 49" (124cm) de ancho en el cuarto.

### Localizando la Abertura en la Pared

Esta calentador debe ubicarse en una pared exterior. Localice los travesaños para que la abertura del aparato se ubique entre estos. La travesaños pueden usarse para mortar el soporte. La abertura en la pared que se requiere que se muestra en la Figura 3 es de un diámetro de 7 1/2" (191mm).

Una plantilla viene en la caja del aparato para ubicarlo en la pared. A la mismo vez vea la Figura 3 para ubicar el calentador en la pared y para que localice la línea de conexión del gas.

La Figura 3 localiza el calentador cuatro pulgadas (102mm) sobre el piso. Si se deseara localizar el calentador más arriba en la pared añada la diferencia a las dimensiones "A", "B" y "C". Nota: La abertura para los tubos no está centrada en el calentador.

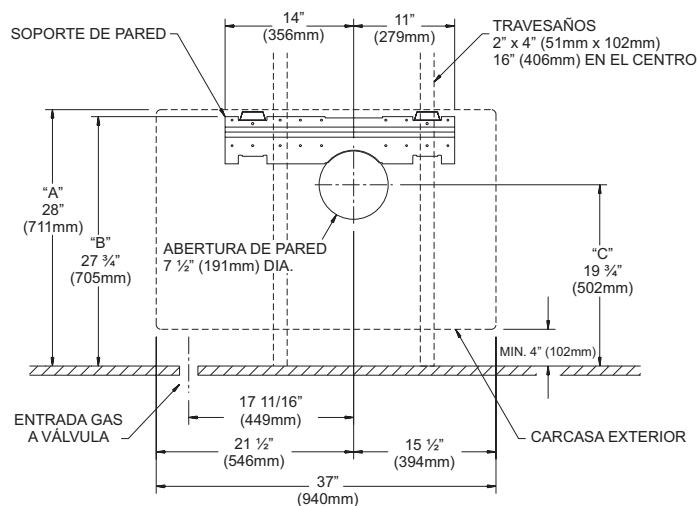


Figura 3

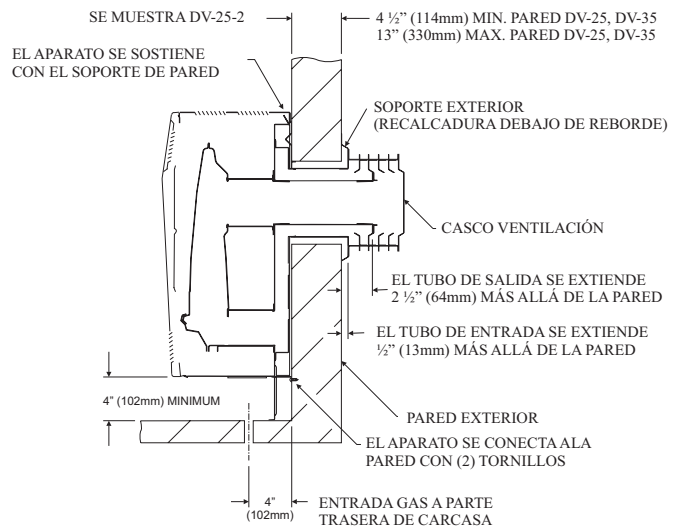


Figura 4

### Instalando el Soporte de Pared

Localice y corte la abertura a la pared. Si existiera aislante arriba de la abertura (tubo entrada aire) una barrera debe de instalarse arriba de la abertura (tubo entrada aire) para prevenir que el aislante toque el tubo de entrada de aire. La barrera no debe de penetrar en la abertura de 7 1/2" (191mm) de diámetro. Coloque la superficie plana del soporte hacia la pared. Meta el reborde redondo del soporte adentro y encima de la abertura. Este reborde debe de estar tocando la lámina de roca o madera en la cima de la abertura. Nivele el soporte en la abertura.

En pared sólidas, y cuando se usen travesaños para colocar el soporte, atornille este a los travesaños con 2 tornillos #10 x 1 1/2" (38mm) y atornille otros 2 tornillos #10 x 1 1/2" (38mm) adicionales a través del soporte y la pared sólida.



# INSTRUCCIONES DE INSTALACIÓN (continuación)

En lámina de piedra y cuando se usen travesaños para colocar el soporte, atornille este a los travesaños con 2 tornillos #10 x 1 1/2" (38mm) y atornille otros 2 tornillos #10 x 1 1/2" (38mm) y usando la abertura como acceso, atornille 2 tornillos adicionales #10 x 1 1/2" (38mm), 2 tuercas Tinnerman a través del soporte y la lámina de piedra.

## Sujetando el Calentador al Soporte de Pared

Cuelgue el aparato en el soporte alineando (2) pestañas en el soporte con (2) ranuras localizadas en la parte trasera de la carcasa.

La parte inferior de la carcasa trasera debe de sujetarse a la pared con (2) tornillos #10 x 1 1/2" (38mm). En láminas de piedra atornille la carcasa trasera con dos tornillos fijadores.

## Cortando los Tubos de Ventilación

Esta es la parte más importante de la instalación. Con el calentador instalado en la pared el tubo de entrada de aire de 6" (152mm) de diámetro y el tubo de salida de productos de combustión de 4" (102mm) de diámetro deben marcarse y cortarse de acuerdo a las siguientes instrucciones:

1. Meta el tubo de 6" (152mm) al collar de la carcasa interna. Asegúrese que este tubo se conecte bien adentro del collar. Marque el tubo 1/2" (13mm) más afuera de la pared. Quite el tubo del collar.
2. Meta el tubo de 4" (102mm) al collar de producto de combustión en la cámara de combustión. Asegúrese que este tubo se conecte bien adentro del collar. Marque el tubo 2 1/2" (64mm) más afuera de la pared. Quite el tubo del collar.
3. Marque o envuelva con cinta adhesiva alrededor de los puntos marcados para ayudar a cortar los dos tubos. No corruje o agrande los tubos.

## Instalando el Ensamblaje de Ventilación

1. Coloque la recalcadura que no viene con el aparato debajo de la orilla del soporte exterior. Use recalcadura adicional para corregir una superficie de pared irregular, tal como tablilla intercalada.
2. Meta el tubo de 6" (152mm) al collar de la carcasa interna. Coloque el soporte exterior con la recalcadura en el tubo de 6" (152mm). Coloque el soporte exterior en tal forma que el tubo esté levemente inclinado hacia abajo en la punta exterior. La inclinación es necesaria para prevenir la entrada de agua de lluvia. Asegure el soporte exterior con (4) tornillos #10 x 1 1/2" (38mm) que vienen en la caja.
3. Aplique cemento de estufa al collar de 3" (76mm) de la cámara de combustión y al collar de 4" (102mm) del casco. Metá el tubo de 4" (102mm) en el collar de la cámara de combustión. Sujete el casco adentro del tubo de 4" (102mm). Asegure el casco al soporte exterior con (3) tornillos #10 x 1 1/2" (38mm) que vienen con el aparato.
4. La instalación se ha completado.

## Reensamblaje y Resello del Sistema de Ventilación de Aire

Cuando el sistema de ventilación sea desmontado en caso de dársele servicio al aparato, los siguientes pasos asegurarán un reensamblaje y resello correcto del sistema de ventilación.

1. Quite el cemento viejo de estufa de los collares de la cámara de combustión y del casco. Remove old furnace cement from both ends of 4" (102mm) diameter flue outlet tube.
2. Quite la recalcadura vieja que esté debajo de la orilla del soporte exterior. Aplique recalcadura nueva debajo de esta orilla. Use recalcadura adicional para corregir una superficie de pared irregular, tal como tablilla intercalada.

3. Sujete el tubo de 6" (152mm) al collar de la carcasa interna. Coloque el soporte exterior con la recalcadura en el tubo de 6" (152mm). Coloque el soporte exterior en tal forma que el tubo esté levemente inclinado hacia abajo en la punta exterior. La inclinación es necesaria para prevenir la entrada de agua de lluvia. Sujete el soporte exterior con (4) tornillos #10 x 1 1/2" (38mm) que vienen en la caja.
4. Aplique cemento de estufa al collar de 4" (102mm) de la cámara de combustión y al collar de 4" (102mm) del casco. Sujete el tubo de 3" (76mm) en el collar de la cámara de combustión. Sujete el casco adentro del tubo de 4" (102mm). Sujete el casco al soporte exterior con (3) tornillos #10 x 1 1/2" (38mm) que vienen con el aparato.
5. El reensamblaje y el resello del sistema ventilación de aire se ha completado.

Instalando la Ventilación Cerca de una Vena de Ventana, Otro Tipo de Proyección o en un Forro (vinilo, aluminio, etc.)

Calentadores de ventilación directa están diseñados para ser instalados en una pared externa plana. Cuando el viento viene desde cualquier ángulo (arriba, abajo o desde los lados), necesita pegarle al casco de ventilación equidistantemente sobre tanto la entrada de aire como sobre la salida del producto de combustión. Cualquier proyección, de la pared como una puerta o ventana, las cuales disturban el viento en un lado de la sección de entrada de aire puede causar una pérdida de presión debilitando la llama y eventualmente apagando el piloto.

Cuando el casco de ventilación se instale en forros o pareciera que una proyección de 6" (152mm) de cualquier lado de la sección de la entrada de aire pudiera desviar la sección de entrada de aire, el conjunto de casco de ventilación debe ser sostenido lejos de la pared a por lo menos la distancia de la proyección. Un marco de 2" x 4" (51mm x 102mm) cuyas dimensiones hagan juego con las dimensiones totales de la lámina de montadura es recomendable. El marco de 2" x 4" (51mm x 102mm) protege el forro de un posible doblez o descoloramiento. Todas las juntas deben sellarse y pintarse. No exceda la profundidad máxima de pared de 13" (330mm) para el DV-25 y el DV-35. (Ver Figura 5)

Un conjunto de ventilación para forros de vinilo, DV-822, es disponible en Empire Comfort Systems, Inc. La profundidad de 3" (76mm), permite al casco de ventilación extenderse hacia afuera del forro o de proyecciones. La profundidad de pared más una profundidad adicional de 3" (76mm) de la extensión del casco del ventilación para el forro de vinilo no debe de exceder la profundidad máxima de pared un total de 13" (330mm) para el DV-25 y para el DV-55. (Ver Figura 5a)

**Precaución:** Cuando el conjunto de ventilación para forros de vinilo, DV-822 o marcos de 2" x 4" (51mm x 102mm) es añadido a una instalación existente (el calentador está instalado) no trate de añadir más secciones de tubo a los tubos de combustión o de aire de entrada. Un sello hermético de aire es necesario para ambos tubos. Consulte la lista de partes, página 14 al ordenar tubos.

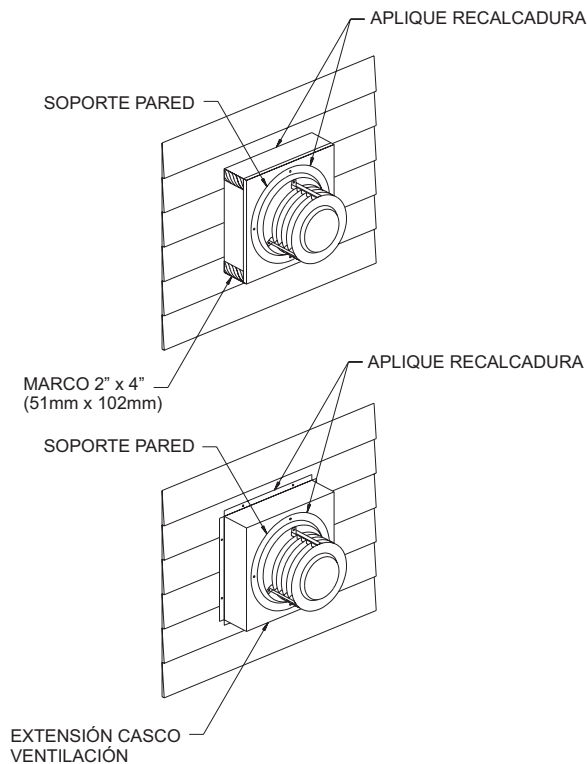


Figura 5a

## UBICACIÓN DEL TERMOSTATO

Estos termostatos son especialmente diseñados para sistemas de generación propia. Nunca deben de usarse en circuitos de línea o de voltaje alto de AC (corriente alterna).

Pared Interna — El termostato debe de instalarse en una pared interior lejos del calentador pero en el mismo cuarto.

Es importante utilizar el alambre de una galga apropiada para la longitud del alambre:

### GALGAS RECOMENDADAS DEL ALAMBRE

Longitud Máxima	Galga Del Alambre
1' to 10'	18
10' to 25'	16
25' to 35'	14

Una operación correcta depende de una llama buena del piloto. La llama debe cubrir la punta de la termocupla. El limpiar el inyector del piloto y el quemador son necesarios por las telas de araña.

Probando el Sistema (Figura 6)

Un medidor de milivoltios es indispensable para probar el sistema. Las lecturas en milivoltios deberán ser:

- 400-450 cuando el termostato está en OFF midiendo a través de las terminales de la termocupla.
- 150-250 cuando el termostato está en ON a través de las terminales de la termocupla.
- Menos de 30 estando el termostato en ON en las terminales del termostato a la altura de la válvula.
- Menos de 5 estando el termostato en ON a través de los cables termostato en el termostato. (Vientos fuertes, un piloto sucio y una presión baja reduce estas lecturas.)

Instrucciones para el Encendedor del Piloto

El empujar el botón rojo completamente causa una chispa en el piloto. Esto substituye el fósforo lo que requiere el abrir la cubierta del piloto.

Para encender el piloto, es importante que el electrodo esté a 1/8" (3mm)

de la termocupla. La chispa debe ocurrir al punto donde la llama del quemador toca la termocupla. La punta del electrodo se pondrá al rojo vivo con el piloto encendido.

En una instalación nueva con aire en la línea de gas, se sugiere que se use un fósforo. El fósforo encenderá el piloto más rápido en estas condiciones.

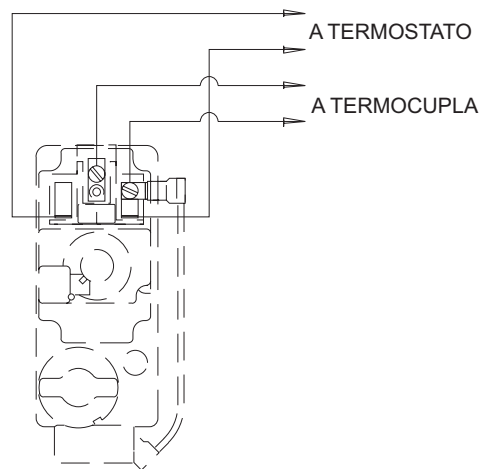


Figura 6


# INSTRUCCIONES DE ENCENDIDO

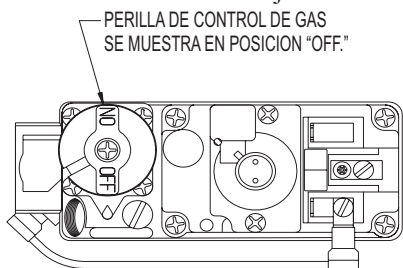
## PARA SU SEGURIDAD LEA ANTES DE ENCENDER

**ADVERTENCIA:** Si usted no sigue estas instrucciones a la letra, incendio o explosión puede resultar causando daño a la propiedad, lesión a la persona o pérdida de vida.

- A. Este aparato tiene que encenderse con la mano. Cuando encienda el piloto, siga estas instrucciones a la letra.
- B. **ANTES DE ENCENDER**, huela alrededor del área donde se ubique el calentador por posible olor a gas. Asegúrese de oler cerca del piso, ya que algunos gases son más pesados que el aire y se acentúan en el piso.  
**QUE HACER SI HUELE GAS**
  - No encienda ningún aparato.
  - No toque ningún interruptor eléctrico; no use ningún teléfono en su edificio.
  - Inmediatamente llame a su proveedor de gas desde un teléfono de la vecindad. Prosigua según las instrucciones del proveedor de gas.
- Si no puede comunicarse con su proveedor de gas, llame al Departamento de Incendios.
- C. Use únicamente sus manos para apretar o girar la perilla de control de la válvula. Nunca use herramientas. Si la perilla no se moviera hacia adentro al apretarse o no girara, no trate de repararla y llame a un técnico de servicio calificado. El forzar o reparar puede causar un incendio o explosión.
- D. No use este calentador si alguna de sus partes ha estado bajo agua. Inmediatamente llame a un técnico de servicio calificado para que inspeccione el calentador y que reemplace cualquier parte del sistema de control o cualquier control de gas que haya estado bajo agua.

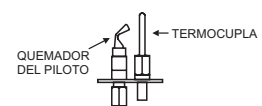


## INSTRUCCIONES DE ENCENDIDO

1. ¡PARE! Lea la información de seguridad mencionada arriba.
2. Ajuste el termostato a la temperatura más baja.
3. Apague todo sistema eléctrico del calentador (si fuera aplicable).
4. Remueva el panel de acceso de control (puerta de control).
5. Apriete la perilla de control de gas levemente y gírela en el sentido de las manillas del reloj  "OFF."




NOTA: La perilla no gira de "PILOT" a "OFF" a menos que se apriete levemente. No la force.

6. Espere diez (10) minutos para el desalojo del gas. Luego huela por posible gas, incluyendo cerca del piso. ¡Si huele a gas, PARE! Siga el paso "B" en la información de seguridad de arriba. Si no huele a gas, prosigua con el próximo paso.
7. Remueva la cubierta del piloto localizada en la cámara de combustión.

8. Localice el piloto. Siga el tubo de metal desde el control de gas. El piloto está detrás de la cubierta de acceso. 
9. Gire la perilla de la válvula de gas en dirección opuesta al sentido de las manillas del reloj  hacia "PILOT."
10. Apriete la perilla de control completamente hacia abajo y manténgala en esta posición. Inmediatamente encienda el piloto con la Bujía Encendedora o con un fósforo. Continúe manteniendo la perilla en esta posición por un (1) minuto después de que el piloto se haya encendido. Suelte la perilla y ésta se saltará hacia arriba. El piloto se mantendrá encendido. Si se apagara, repita los pasos de 5 a 9.
  - Si la perilla no saltara cuando se suelte, pare e inmediatamente llame a un técnico de servicio o de suministro de gas.
  - Si el piloto no se mantuviera encendido después de varios intentos, mueva la perilla hacia "OFF" y llame a un técnico de servicio o de suministro de gas.
11. Coloque la cubierta de acceso del piloto.
12. Rote la perilla de control de gas en dirección opuesta al sentido de las manillas del reloj hacia  "ON."
13. Reemplace el panel de acceso de control (puerta de control).
14. Encienda todos los sistemas eléctricos del aparato (si fuera aplicable).
15. Ajuste el termostato a la temperatura deseada.
16. **PRECAUCION:** La cubierta del piloto debe de mantenerse cerrada firmemente durante la operación.

## PARA APAGAR EL GAS AL CALENTADOR

1. Ajuste el termostato a la temperatura más baja.
2. Apague todo sistema eléctrico del calentador si se sometiera el aparato a servicio.
3. Remueva el panel de acceso de control (puerta de control).
4. Apriete la perilla de control de gas levemente y rotela en el sentido de las manillas del reloj  a "OFF." No la force.
5. Reemplace el panel de acceso de control (puerta de control).

## FLAMA CORRECTA DEL PILOTO

La llama correcta debe ser horizontal, azul y debe extenderse 1/4" (6mm) más allá del termopar. La llama debe rodear el termopar inmediatamente debajo de la punta.

En gas propano (gas-LP) un tono amarillo puede presentarse donde la llama del piloto y la llama del quemador se juntan.

Los pilotos de gas natural necesitan ajuste cuando la presión de entrada es superior a 5" (1.25kPa). Gire el tornillo de ajuste en la dirección de las agujas del reloj para reducir la llama.

Gas Propano (Gas LP) no necesita ajuste.

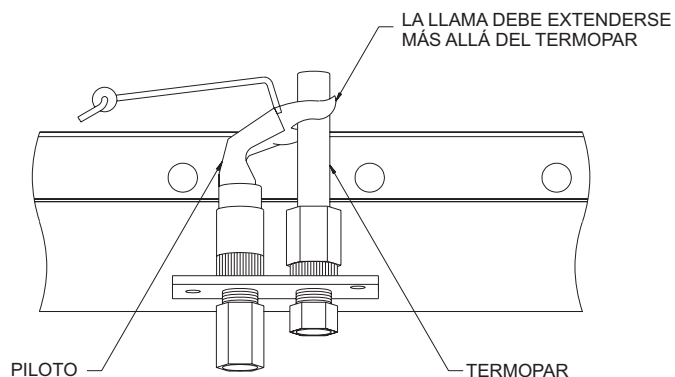


Figura 7

## FLAMA CORRECTA DEL QUEMADOR PRINCIPAL

Existirá una llama corta azul con una llama secundaria más grande y liviana. La llama puede tener un punta amarilla cuando está caliente. Vea el dibujo del quemador donde se muestran las alturas de cada porción de la llama. Polvo en el aire de combustión producirá una llama anaranjada o roja. No confunda una llama anaranjada o roja con una llama amarilla incorrecta. Después de su uso, una limpieza periódica se necesita para mantener la llama correcta.

### LLAMA DEL QUEMADOR

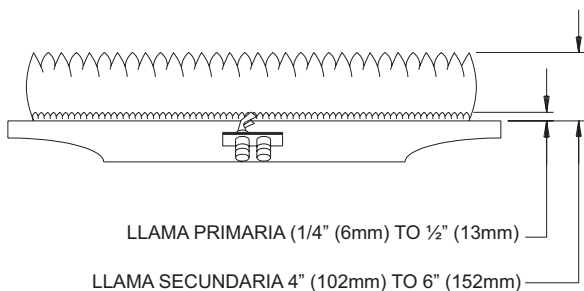


Figura 8

### Ajuste de Aire Primario (Figura 9)

Un tornillo de ajuste de aire primario está localizado en el soporte de la cámara de combustión. El espacio libre de cuatro pulgadas (102mm) entre el aparato y el piso permite acceso al tornillo de ajuste. Este tornillo está sobre la abertura rectangular en la parte inferior de la carcasa trasera.

En gas propano, si ocurriera un ruido de silbido (resonancia), atornille el tornillo de ajuste hacia adentro del soporte para reducir la cantidad de aire primario. Si el ruido de silbido no se elimina con este ajuste esto puede indicar que este tornillo no está totalmente alineado. Agarre el tornillo de ajuste y muévelo hacia adelante. Observe la llama del quemador principal mientras que empuja el tornillo y cuando la llama comienza a amarillarse, Ud. debe de parar este movimiento. Desatornille el tornillo de ajuste hacia afuera del soporte hasta que la llama amarilla desaparezca. El tornillo de ajuste debe ahora de estar alineado. La reducción en aire primario debilita la llama y elimina el ruido de silbido (resonancia).

En gas propano o gas natural, si una llama amarilla aparece, atornille el tornillo de ajuste hacia afuera del soporte de la cámara pero no quite este tornillo totalmente. El relocalizar este tornillo hace que el aire primario aumente. El aumento de aire primario agudiza la llama del quemador principal y elimina la llama amarilla.

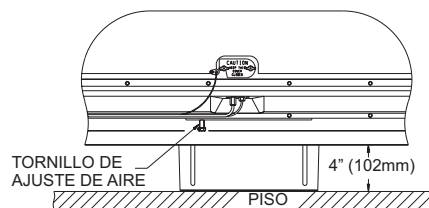


Figura 9

# MANTENIMIENTO DEL APARATO

## Pasos para Remover el Quemador Principal

1. Desconecte la termocupla y la línea de alimentación del piloto.
2. Quite la cobertura del quemador.
3. Quite el escudo del inyector.
4. Quite el tornillo a cada lado del quemador y levante.

## Limpiando el Quemador Principal

El quemador puede limpiarse forzando un caudal considerable de agua adentro de los orificios del quemador y la garganta de este. El quemador debe de secarse calentándolo o usando una secadora. Esto asegura que toda el agua desaparezca antes de reinstalar el quemador.

## Quitando el Inyector del Quemador Principal

1. Desconecte la unión que está inmediatamente después de la válvula del soporte.
2. Afloje la válvula del soporte.
3. Quite el tubo de 3/8" (10mm) que está conectado al codo de la unión hasta que este totalmente flojo.
4. El inyector está al final del tubo.

## Quitando el Inyector del Piloto

1. Desconecte la línea de alimentación al piloto.
2. Quite el inyector del piloto. Podría ser necesario golpear un poco el piloto para poder quitar el inyector.

## Limpiando el Inyector del Piloto

Después de usarse, el piloto necesita limpiarse para obtener una llama correcta. También, el limpiar el piloto debe hacerse en caso de que tenga telas de araña. El inyector de piloto debe de limpiarse con aire a alta presión o con agua del tubo. El inyector debe de estar seco antes de volverse a conectar. Use un limpiador de tubería para limpiar adentro del piloto después que el inyector se haya quitado.

## Limpiando la Cámara de Combustión

Cuando el quemador y el casco sean removidos, todas las partes internas de la cámara de combustión son accesibles y se pueden limpiar con una manguera de una aspiradora.

## INFORMACIÓN DE REPARACIÓN PARA PERSONAS CALIFICADAS DE SERVICIO

1. El fósforo se apaga cuando se trata de encender los orificios.
  - a. Ciertas condiciones del viento tenderán a pagar el fósforo. Encienda el fósforo y cuando arda empújelo a través de la abertura.
  - b. Abra una puerta o ventana y reencienda el piloto.
2. El piloto enciende pero se apaga cuando la perilla de la válvula se suelta.
  - a. Ver las Instrucciones de Encendido. Reencienda el piloto.
  - b. Reencienda el piloto y mantenga la perilla de la válvula apretada más largo tiempo y más duro. Cierra la cubierta del agujero del piloto un momento después del encendido. Asegúrese de tener una buena llama en el piloto.
  - c. Una termocupla defectuosa o un magneto defectuoso en la sección de seguridad de la válvula. Reemplace.
3. Llama del piloto amarilla .
  - a. Obstrucción del inyector del piloto.
  - b. Limpie y ajuste el tamaño del inyector del piloto.
4. El piloto y el quemador principal se apagan durante operación normal.
  - a. Verifique las lecturas de milivoltios.
  - b. Inspeccione el tamaño apropiado de la llama del piloto.
  - c. Inspeccione el funcionamiento del termopar. El termopar puede estar defectuoso o débil.
- d. Verifique el consumo, redúzcalo según sea necesario.
- e. La cubierta del agujero del piloto debe de estar cerrada firmemente.
- f. Verifique el sello firme de los tubos de aire y productos de combustión a ambos extremos del ensamblaje de ventilación.
5. El termostato no enciende el quemador principal
  - a. Verifique el cableaje, note el marcaje TH en la válvula para el termostato.
  - b. Verifique todas las lecturas de milivoltios.
  - c. Verifique que no haya una tela de araña en el inyector del quemador principal.
6. Llama del quemador principal amarilla tizne en el casco ventilación.
  - a. Ver Página 12, "Ajuste Aire Primario."
  - b. Remueva el quemador principal para verificar obstrucciones en la garganta, portillas e inyectores.
  - c. Instale un inyector principal nuevo y un inyector para piloto nuevo. Refiérase a la Lista de Partes, página 14.
7. En gas propano, si un ruido de silbido (resonancia) ocurre:
  - a. Ver Página 12, "Ajuste Aire Primario."
  - b. Reduzca la presión de tubería.
  - c. Ajuste el tamaño del inyector principal con una pieza de taladro. Para el DV-25 use una pieza de taladro #54. Para el DV-35 use una pieza #50.

# COMO PEDIR PARTES DE REPUESTO

Partes de repuesto deben de ordenarse a través de la persona de servicio únicamente. Para mejores resultados, la persona de servicio debe ordenar partes al distribuidor. Partes de repuesto deben de enviarse directamente a la persona de servicio.

Todas las partes listadas tienen un Número de Parte. Cuando pida partes, primero obtenga el Número de Modelo del calentador que se encuentra en la placa de características. Luego averigüe el Número de Parte (no el Número Índice) y la Descripción de cada parte que se puede obtener de la ilustración y lista en la próxima página. Asegúrese de dar toda la siguiente información.

Número Modelo Calentador \_\_\_\_\_ Descripción de Parte \_\_\_\_\_

Número Serie Calentador \_\_\_\_\_ Número de Parte \_\_\_\_\_

Tipo De Gas (Propano o Natural) \_\_\_\_\_

No pida tornillos, arandelas, o tuercas. Estos son artículos comunes de ferretería que se consiguen localmente.

Envíos atrasados por huelgas, incendios o otras causas están más allá de nuestro control.

Empire Comfort Systems, Inc. Nine Eighteen Freeburg Ave. Belleville, IL 62222-0529

## LISTA DE PARTES

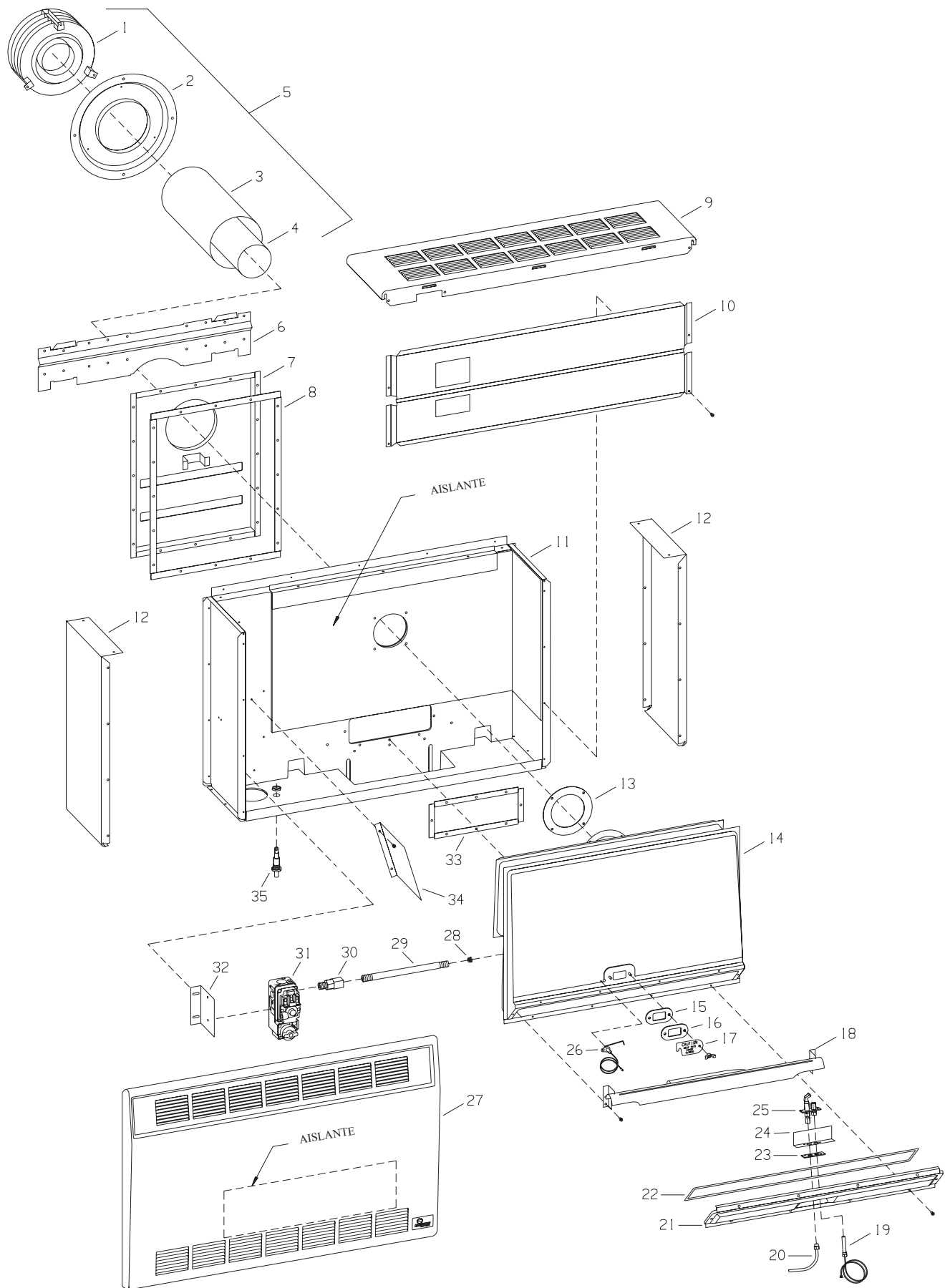
POR FAVOR TOME NOTE: Cuando partes sean ordenadas, es muy importante que el número de parte y la descripción de la parte coincidan.

No. Índice	No. Parte	Descripción	No. Índice	No. Parte	Descripción
1	DV-769	Casco Ventilación	25	R-2223	Piloto Quemador con Inyector (LP)
2	DV-131	Soporte Exterior	26	DV-772	Ensamblaje Electrodo y Cable
3	DV-548	Tubo Entrada Aire	27	DV-913	Carcasa Frontal
4	DV-524	Tubo Producto Combustión	28	742155	Inyector Quemador (DV-25 Nat)
5	DV-757	Conjunto Ventilación	28	742238	Inyector Quemador (DV-25 LP)
6	DV-899	Soporte Pared	28	P-86-38	Inyector Quemador (DV-35 Nat)
7	DV-900	Fumero Entrada Aire	28	742233	Inyector Quemador (DV-35 LP)
8	DV-762	Empaque- Fumero Entrada Aire	29	P-190	Tubería
	& DV-763	(Se Requieren 2)	30	R-191	Unión Tubería
9	DV-951	Carcasa Superior	31	R-5600	Válvula Gas Completa 7000
10	DV-901	Escudo Calor			MVRLC - NAT
11	DV-902	Ensamblaje Carcasa Interna	31	R-5601	Válvula Gas Completa 7000
12	RH-705	Carcasa Lateral (Se Requieren 2)			MVRLC - LPG
13	712036	Empaque- Soporte Tubo Salida	32	DV-1003	Soporte Válvula
14	DV-903	Ensamblaje Cámara Combustión (DV-25)	33	DV-764	Empaque- Soporte Cámara
14	DV-904	Ensamblaje Cámara Combustión (DV-35)		& DV-765	(Se Requieren 2)
15	712098	Empaque- Agujero Encendido	34	DV-908	Escudo Válvula
16	DV-781	Cubierta Agujero Encendido con Mica	35	R-2708	Encendedor Piezo Eléctrico
17	DV-064	Lámina Cubierta	No Se Muestra	742158	Inyector Piloto (Nat)
18	DV-988	Quemador(DV-25)	No Se Muestra	742266	Inyector Piloto (LP)
18	DV-990	Quemador (DV-35)	No Se Muestra	662021	Termostato de Pared - Milivoltios
19	672063	Termocupla	No Se Muestra	DV-885	Paquete Tornillos
20	DV-1004	Tubo Piloto	No Se Muestra	922113	Sección Operador - Nat
21	RH-238	Cobertura Quemador	No Se Muestra	922217	Sección Operador - LP
22	DV-778	Empaque- Cobertura Quemador	No Se Muestra	652121	Regulador - Nat
23	712051	Empaque - Piloto Quemador	No Se Muestra	652211	Regulador - LP
24	DV-994	Escudo Piloto	No Se Muestra	13298	Soporte Termostato
25	R-2224	Piloto Quemador con Inyector (Nat)			

USE ÚNICAMENTE PARTES PARA REPUESTO DEL FABRICANTE.  
EL USO DE CUALQUIER OTRA PARTE PUEDE CAUSAR LESION O MUERTE



# VISTA DE PARTES



# VENTILADOR OPCIONAL INSTRUCCIONES DE INSTALACIÓN

## VENTILADOR OPCIONAL DRB-1

Calentadores con Emisión RH-25-(1, 2, 4, 5, 6) y RH-35-(1, 2, 4, 5, 6)

Calentadores de Pared de Ventilación Directa

DV-25-(1, 2)SG y DV-35-(1, 2)SG

### Instalando el Ventilador Opcional DRB-1

1. Para el RH-25-(1, 2, 4, 5, 6) y el RH-35-(1, 2, 4, 5, 6) quite la carcasa frontal.
1. Para el DV-25-(1, 2) y el DV-35-(1, 2) quite la carcasa frontal y el escudo de calor.
2. Estando al frente del calentador meta el ensamblaje del ventilador hacia la sección izquierda de la carcasa (a la par de la cámara de combustión).
3. Para el RH-25-(1, 2, 4, 5, 6) y RH-35-(1, 2, 4, 5, 6) meta el cable de entrada a través de la abertura trasera de la carcasa. Esta abertura está localizada a la par de la válvula de gas.
3. Para el DV-25-(1, 2) y el DV-35-(1, 2) meta el cable de entrada a través de la abertura de la parte inferior de la carcasa. Esta abertura está localizada debajo de la válvula de gas.
4. Alinee los (2) agujeros de tornillo en la carcasa lateral interna y los (2) agujeros de tornillo en la carcasa trasera con los (4) tornillos de despejo del paquete de ventilación. Conecte el ventilador a la carcasa trasera e interna con (4) tornillos de #10 x 1/2" (13mm) que vienen en el paquete.
5. Para el RH-25-(1, 2, 4, 5, 6) y el RH-35-(1, 2, 4, 5, 6) reemplace la carcasa frontal.
5. Para el DV-25-(1, 2) y DV-35-(1, 2) reemplace el escudo de calor y la carcasa frontal.

Atención: El cableaje del ventilador se ensambló en la fábrica. Si el cableaje se afloja o desconecta use el siguiente procedimiento para reensamblar el cableaje:

1. Conecte (1) terminal del alambre negro (vivo) de aislamiento plano del cableaje al (1) terminal del socket en el control ventilador.
2. Conecte (1) terminal del alambre negro (neutro) de aislamiento plano del cableaje al (1) terminal del socket desde el alambre blanco (neutro) en el motor.
3. Conecte (1) terminal pasador en el ensamblaje del control del ventilador al (1) terminal del socket desde el alambre negro (vivo) en el motor.
4. Conecte el alambre verde de tierra debajo de uno de los tornillos #10 x 1/2" (13mm) en envoltura del ventilador.

### Control Ventilador

El control automático del ventilador está localizado en la caja del ventilador. Esta caja está conectada al frente del ensamblaje del ventilador. El control es del tipo automático no ajustable. Este control requerirá entre 5 y 10 minutos de operación del quemador antes de que el control se "cierre" y active el ventilador. El ventilador continuará funcionando entre 5 y 10 minutos después de que el quemador se apague, antes de que el control se "abra" y desactive el ventilador.

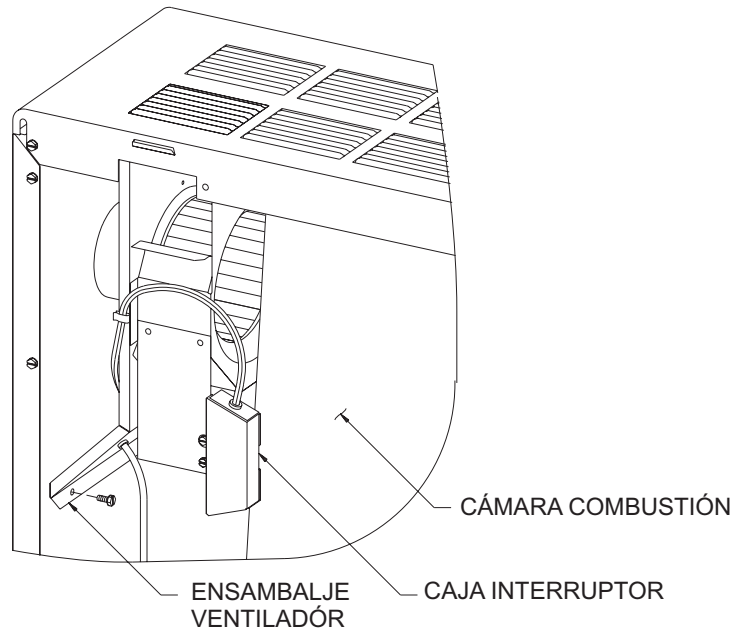
### Cableaje

El aparato debe de estar conectado a tierra de acuerdo al National Electrical Code ANSI/NFPA 70 o Canadian Electrical Code, CSAC22.1. Este Conjunto Ventilador está equipado con un tapón aislado de tierra con tres puntas para su protección contra jalones peligrosos y debe conectarse directamente a un tomacorriente del mismo tipo. No corte o remueva la punta para tierra que tiene el tapón. Se puede también comprar un tapón adaptador con dos puntas y un cable para tierra. El cable para tierra se conecta a un tornillo del tomacorriente. De esta manera el aparato queda conectado a tierra. Un agujero de 7/8" (22mm) se suministra en la caja de empalme para que se use con un conector si lo requirieran los códigos locales de protección.

**CUIDADO:** Marque todos los cables antes de la conexión cuando le dé servicio a los controles. Errores atribuidos a conexión de cables pueden causar una operación incorrecta o peligrosa. Verifique la operación correcta antes de darle servicio.

### ADVERTENCIA:

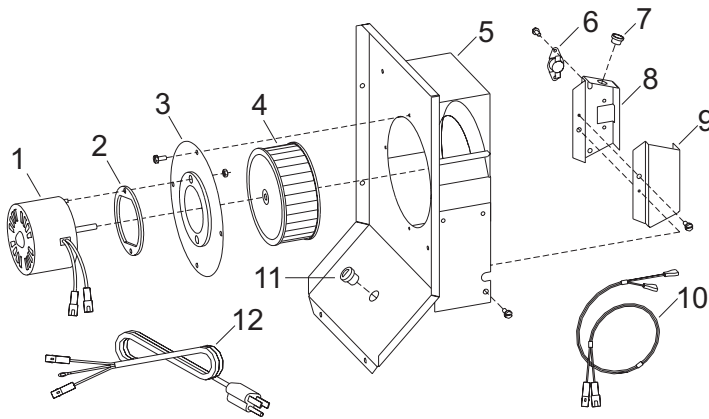
Desconectando el ventilador no apaga este calentador. Para apagar el abastecimiento de gas al calentador, apriete la perilla de la válvula levemente y gírela en el sentido de las agujas del reloj hasta "OFF." No la force.



# VENTILADOR OPCIONAL INSTRUCCIONES DE INSTALACIÓN (continuación)

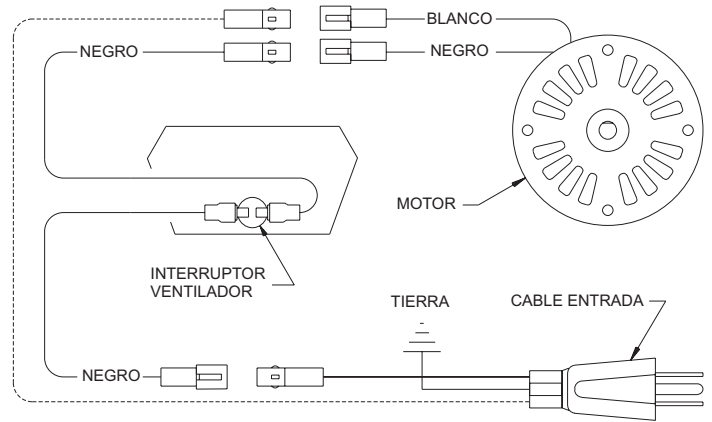
## Limpieza del Ventilador

La rueda del ventilador se puede llenar de hilazas y puede necesitar limpieza una vez al año. Si el flujo de aire baja o el nivel de ruido aumenta, esto indica una rueda sucia. Desmonte totalmente la rueda y límpiela con una brocha o cepillo bajo agua.



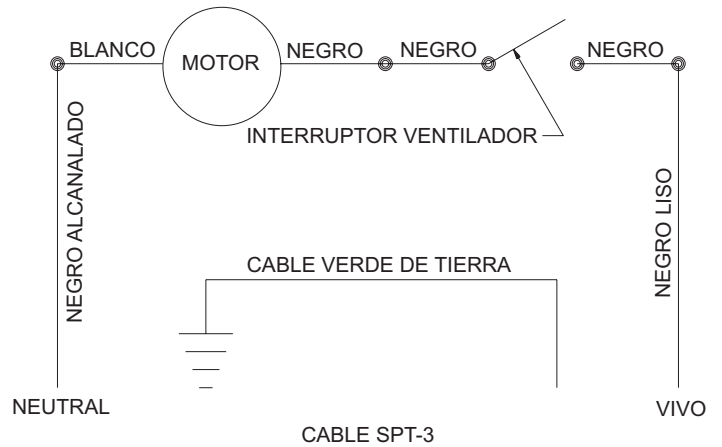
### LISTE DE PARTES

No. Índice	No. Parte	Descripción
1	R-2090	Motor
2	632016	Amortiguador Motor
3	RH-036	Ensamblaje
4	642030	Rueda Ventilador
5	RH-710	Envoltura Ventilador
6	9120106	Interruptor Ventilador
7	872087	Heyco Bushing
8	DV-806	Caja Interruptor
9	DV-807	Cubierta Caja Interruptor
10	R-2091	Ensamblaje Cable 19" (483mm)
11	8720161	Heyco Bushing
12	R-2099	Cable Entrada 72" (1.83m)



————— AISLAMIENTO PLANO NEGRO (VIVO)  
 - - - - - AISLAMIENTO CORRUGADO, NEGRO NEUTRAL

SI CUALQUIERA DE LOS CABLES TUBIERÁN QUE REEMPLAZARSE, DEBE HACERSE CON CABLES DE 4/64" (.8mm) 105°C DE TERMOPLÁSTICO O SU EQUIVALENTE.









Empire Comfort Systems

Empire Comfort Systems, Inc.  
918 Freeburg Ave. Belleville, IL 62220  
PH: 618-233-7420 or 800-851-3153  
FAX: 618-233-7097 or 800-443-8648  
info@empirecomfort.com

[www.empirecomfort.com](http://www.empirecomfort.com)