



WOOD INSERT

Archway 2300

Features

- Simple Operation
- Easy to Maintain
- EPA 2020 Certified
- Limited Lifetime Warranty
- Multiple Design Options
- Includes Blower

Specifications

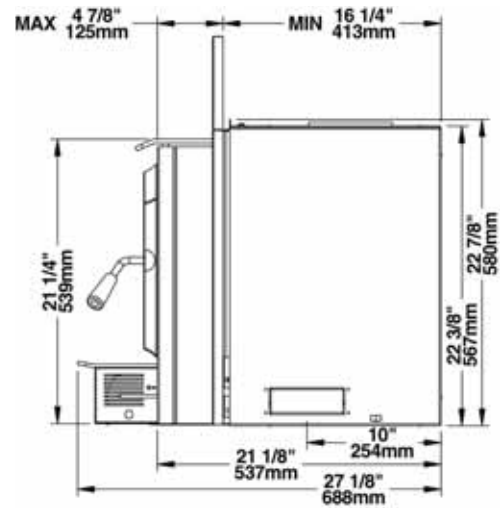
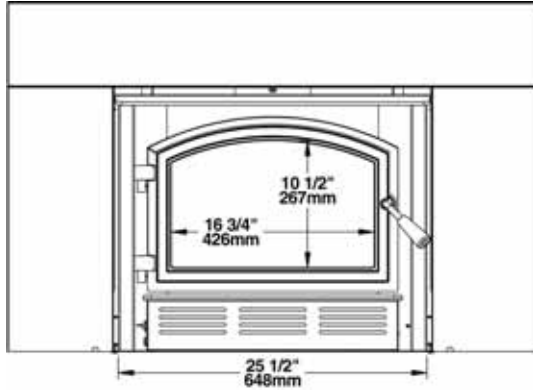
- Heating Area 500-2100 sq. ft.
- Burn Time 8 hours
- Maximum Heat Output 75,000 BTUs
- Maximum Log Length 20 in.
- Firebox Size 2.4 cu. ft.
- Min Fireplace 24" H x 29 1/2" W x 19" D

Options & Accessories

- 3 Surround Options (Requires 1)
 - 29" x 44"
 - 32" x 50"
 - 32" x 50", Cuttable
- 2 Door Options (Requires 1)
 - Nickel Door Overlay
 - Black Door Overlay
- Accessories
 - Fresh Air Intake Kit
 - Fire Screen

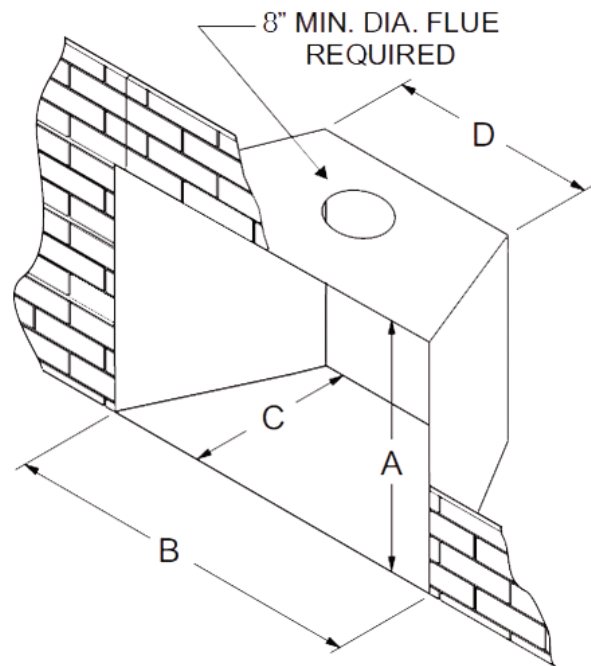
Archway 2300

DIMENSIONS



MINIMUM OPENING DIMENSIONS

ARCHWAY 2300				
	A	B	C	D
US	24"	29 1/2"	19"	29 1/2"
Canada	24"	29 1/2"	19"	29 1/2"



LIMITED LIFETIME: Combustion chamber (welds only) and cast iron door frame, Ceramic Glass, Plating (manufactured defect), step top. LIMITED 7 YEAR: Surrounds, heat shields, ash drawer, pedestal, C-Cast Baffle, secondary air tubes, deflectors and supports. LIMITED 5 YEAR: Handle assembly, glass retainers, air control mechanism, removable carbon steel combustion chamber components. LIMITED 2 YEAR: Standard and optional blower, heat sensors, switches, rheostat, wiring and electronics. LIMITED 1 YEAR: Paint peeling, gaskets, insulation, ceramic fiber blankets, fire bricks and other options. LIMITED 90 DAY: All parts replaced under warranty.



info@empirestove.com