

# VENTINOX® KITS

## Ventinox VFT Kit without Tee



Includes Ventinox VFT Liner, Top Plate, and Rain Cap with Storm Collar. Choose diameter and length needed.

SIZE	LENGTH	ORDER #	STOCK #	SIZE	LENGTH	ORDER #	STOCK #
3"	25'	VFT-3K25	316013	3"	35'	VFT-3K35	316133
4"	25'	VFT-4K25	316014	4"	35'	VFT-4K35	316134
5"	25'	VFT-5K25	316015	5"	35'	VFT-5K35	316135
5 1/2"	25'	VFT-5.5K25	316019	5 1/2"	35'	VFT-5.5K35	316129
6"	25'	VFT-6K25	316016	6"	35'	VFT-6K35	316136
7"	25'	VFT-7K25	316017	7"	35'	VFT-7K35	316137
8"	25'	VFT-8K25	316018	8"	35'	VFT-8K35	316138

## Ventinox VFT Kit with Tee



Includes Ventinox VFT Liner, Top Plate, Rain Cap with Storm Collar, Tee with Removable Snout, and Tee Cap. Choose diameter and length needed.

SIZE	LENGTH	ORDER #	STOCK #	SIZE	LENGTH	ORDER #	STOCK #
3"	25'	VFT-3K25TC	316160	3"	35'	VFT-3K35TC	316166
4"	25'	VFT-4K25TC	316161	4"	35'	VFT-4K35TC	316167
5"	25'	VFT-5K25TC	316162	5"	35'	VFT-5K35TC	316168
5 1/2"	25'	VFT-5.5K25TC	316172	5 1/2"	35'	VFT-5.5K35TC	316173
6"	25'	VFT-6K25TC	316163	6"	35'	VFT-6K35TC	316169
7"	25'	VFT-7K25TC	316164	7"	35'	VFT-7K35TC	316170
8"	25'	VFT-8K25TC	316165	8"	35'	VFT-8K35TC	316171

## Ventinox VFT Extensions



Use as an economical solution to add a few extra feet when needed to complete a run. Available in 5' and 10' lengths.

SIZE	LENGTH	ORDER #	STOCK #	SIZE	LENGTH	ORDER #	STOCK #
3"	5'	VFT-3 EXT5	316023	3"	10'	VFT-3 EXT10	316113
4"	5'	VFT-4 EXT5	316024	4"	10'	VFT-4 EXT10	316114
5"	5'	VFT-5 EXT5	316025	5"	10'	VFT-5 EXT10	316115
5 1/2"	5'	VFT-5.5 EXT5	316029	5 1/2"	10'	VFT-5.5 EXT10	316119
6"	5'	VFT-6 EXT5	316026	6"	10'	VFT-6 EXT10	316116
7"	5'	VFT-7 EXT5	316027	7"	10'	VFT-7 EXT10	316117
8"	5'	VFT-8 EXT5	316028	8"	10'	VFT-8 EXT10	316118

# VENTINOX® VFT & VG

**NEW**  
Ventinox VFT



Used for upgrading or restoring masonry chimneys that vent Category I natural gas, propane or oil appliances, wood or pellet stoves, fireplaces and fireplace inserts. Single-wall, .006" 316 Ti (Titanium) stainless steel. Continuous weld delivers a strong, air and water tight flue gas conduit.

PER FOOT / BULK			BOXED			
SIZE	ORDER #	STOCK #	SIZE	LENGTH	ORDER #	STOCK #
3"	VFT-3	316003	3"	25	VFT B-3 25	316093
4"	VFT-4	316004	4"	25	VFT B-4 25	316094
5"	VFT-5	316005	5"	25	VFT B-5 25	316095
5.5"	VFT-5.5	316113	5.5"	25	VFT B-5.5 25	316099
6"	VFT-6	316006	6"	25	VFT B-6 25	316096
7"	VFT-7	316007	7"	25	VFT B-7 25	316121
8"	VFT-8	316008	8"	25	VFT B-8 25	316122
9"	VFT-9	316009	3"	35	VFT B-3 35	316123
10"	VFT-10	316010	4"	35	VFT B-4 35	316124
11"	VFT-11	316011	5"	35	VFT B-5 35	316125
12"	VFT-12	316012	5.5"	35	VFT B-5.5 35	316100
			6"	35	VFT B-6 35	316126
			7"	35	VFT B-7 35	316127
			8"	35	VFT B-8 35	316128

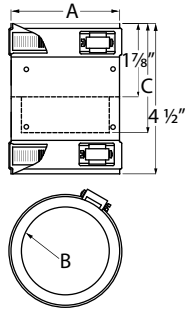
**NEW**  
Ventinox VG



Used to line masonry chimneys venting Category I, natural gas, propane or oil fired boilers, furnaces, space and water heaters. Made of super-ferritic alloy. Single-wall, .006" AL-29-4C super ferritic stainless steel. Continuous weld construction.

PER FOOT / BULK		
SIZE	ORDER #	STOCK #
3"	VG-3	010603
4"	VG-4	010604
5"	VG-5	010605
6"	VG-6	010606
7"	VG-7	010607
8"	VG-8	010608
9"	VG-9	010609
10"	VG-10	010610
11"	VG-11	010611
12"	VG-12	010612

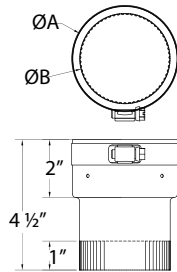
**NEW**  
Coupler



Use as a drip free connection between two sections of liner.

SIZE	VFT ORDER #	VFT STOCK #	VG ORDER #	VG STOCK #	A	B	C
3"	CP316-3	316063	CP294-3	010356	3 3/5"	3"	3 1/2"
4"	CP316-4	316064	CP294-4	010357	4 3/8"	3 3/4"	3 1/2"
5"	CP316-5	316065	CP294-5	010358	5 3/8"	4 3/4"	3 1/2"
5 1/2"	CP316-5.5	316174	--	--	5 3/4"	4 7/8"	3 1/2"
6"	CP316-6	316066	CP294-6	010359	6 5/12"	5 4/5"	3 1/2"
7"	CP316-7	316067	CP294-7	010360	7 1/2"	6 9/10"	3 1/2"
8"	CP316-8	316068	CP294-8	010361	8 5/12"	7 4/5"	3 1/2"
9'	CP316-9	316069	CP294-9	010362	9 3/8"	8 3/4"	3 3/8"
10"	CP316-10	316070	CP294-10	010363	10 3/8"	9 3/4"	3 3/8"
11"	CP316-11	316071	CP294-11	010364	11 1/2"	10 7/8"	3 3/8"
12"	CP316-12	316072	CP294-12	010365	12 3/10"	11 11/16"	3 3/8"

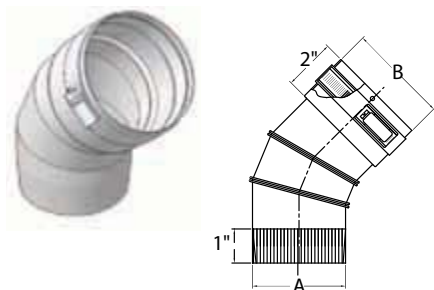
**NEW**  
Sleeve



Use to connect a liner into an appliance flue collar.

SIZE	VFT ORDER #	VFT STOCK #	VG ORDER #	VG STOCK #	A	B
3"	SL316-3	316053	SL294-3	010336	3 5/8"	3 1/8"
4"	SL316-4	316054	SL294-4	010337	4 1/3"	3 7/8"
5"	SL316-5	316055	SL294-5	010338	5 1/3"	4 7/8"
5 1/2"	SL316-5.5	316177	--	--	5 3/4"	5 1/2"
6"	SL316-6	316056	SL294-6	010339	6 1/3"	5 15/16"
7"	SL316-7	316057	SL294-7	010340	7 1/2"	7"
8"	SL316-8	316058	SL294-8	010341	8 5/16"	7 15/16"
9'	SL316-9	316059	SL294-9	010342	9 1/4"	8 7/8"
10"	SL316-10	316060	SL294-10	010343	10 1/4"	9 7/8"
11"	SL316-11	316061	SL294-11	010344	11 1/2"	11"
12"	SL316-12	316062	SL294-12	010345	12 1/4"	11 13/16"

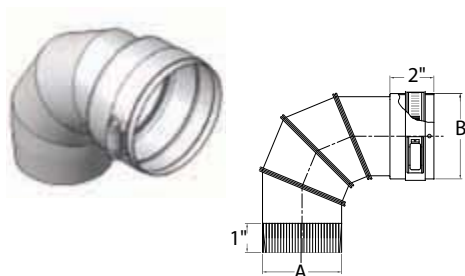
**NEW**  
45° Adjustable Elbow



Use as a straight or up to 45° connection between liner and appliance flue collar.

SIZE	VFT ORDER #	VFT STOCK #	VG ORDER #	VG STOCK #	A	B
3"	EL316-45-3	316073	EL294-45-3	010376	3"	3 1/3"
4"	EL316-45-4	316074	EL294-45-4	010377	4"	4 1/3"
5"	EL316-45-5	316075	EL294-45-5	010378	5"	5 1/3"
5 1/2"	EL316-45-5.5	316175	--	--	5 1/2"	5 3/4"
6"	EL316-45-6	316076	EL294-45-6	010379	6"	6 1/3"
7"	EL316-45-7	316077	EL294-45-7	010380	7"	7 1/2"
8"	EL316-45-8	316078	EL294-45-8	010381	8"	8 3/10"
9"	EL316-45-9	316079	EL294-45-9	010382	9"	9 3/10"
10"	EL316-45-10	316080	EL294-45-10	010383	10"	10 3/10"
11"	EL316-45-11	316081	EL294-45-11	010384	11"	11 1/2"
12"	EL316-45-12	316082	EL294-45-12	010385	12"	12 1/4"

**NEW**  
90° Adjustable Elbow

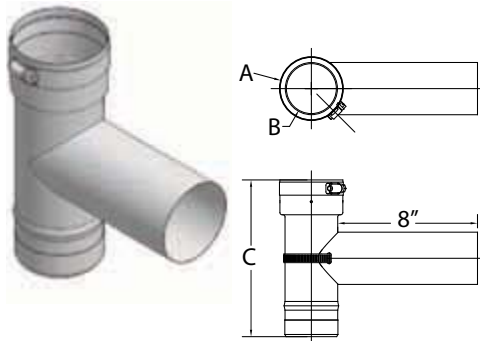


Use as a straight or up to 90° connection between liner and appliance flue collar.

SIZE	VFT ORDER #	VFT STOCK #	VG ORDER #	VG STOCK #	A	B
3"	EL316-90-3	316083	EL294-90-3	010396	3"	3 1/3"
4"	EL316-90-4	316084	EL294-90-4	010397	4"	4 1/3"
5"	EL316-90-5	316085	EL294-90-5	010398	5"	5 1/3"
5 1/2"	EL316-90-5.5	316176	--	--	5 1/2"	5 3/4"
6"	EL316-90-6	316086	EL294-90-6	010399	6"	6 1/3"
7"	EL316-90-7	316087	EL294-90-7	010400	7"	7 1/2"
8"	EL316-90-8	316088	EL294-90-8	010401	8"	8 3/10"
9"	EL316-90-9	316089	EL294-90-9	010402	9"	9 3/10"
10"	EL316-90-10	316090	EL294-90-10	010403	10"	10 3/10"
11"	EL316-90-11	316091	EL294-90-11	010404	11"	11 1/2"
12"	EL316-90-12	316092	EL294-90-12	010405	12"	12 1/4"

**NEW**

Tee w/ Removable Snout

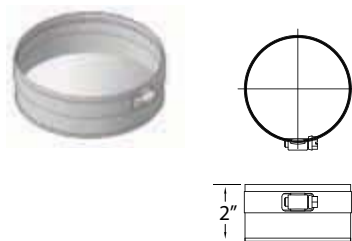


Use as a 90° transition between liner and connector pipe at the wall thimble or rear flue outlet of a heater. Removable Snout with internal draw band allows for easier, through the wall thimble installation.

SIZE	VFT ORDER #	VFT STOCK #	VG ORDER #	VG STOCK #	A	B	C
3"	TE316-3	316033	010296	TE294-3	3 3/8"	3"	9"
4"	TE316-4	316034	010297	TE294-4	4 3/8"	4"	10"
5"	TE316-5	316035	010298	TE294-5	5 3/8"	5 1/4"	10 1/2"
5 1/2"	TE316-5.5	316178	--	--	5 3/4"	5 5/8"	12"
6"	TE316-6	316036	010299	TE294-6	6 3/8"	6 3/8"	12"
7"	TE316-7	316037	010300	TE294-7	7 9/16"	7 7/8"	13 1/2"
8"	TE316-8	316038	010301	TE294-8	8 1/2"	8 1/2"	14 1/2"
9'	TE316-9	316039	010302	TE294-9	9 1/2"	9 1/2"	15 1/2"
10"	TE316-10	316040	010303	TE294-10	10 3/16"	10 1/2"	16 1/2"
11"	TE316-11	316041	010304	TE294-11	11 1/2"	11"	17 1/2"
12"	TE316-12	316042	010305	TE294-12	12 1/4"	12"	18"

**NEW**

Tee Cover

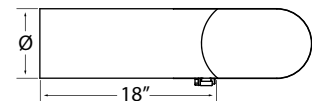
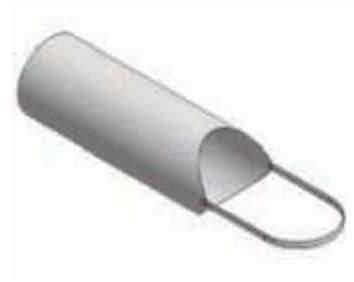


Attach to bottom of tee body. Provides access for cleaning.

SIZE	VFT ORDER #	VFT STOCK #	VG ORDER #	VG STOCK #
3"	TC316-3	316043	010316	TC294-3
4"	TC316-4	316044	010317	TC294-4
5"	TC316-5	316045	010318	TC294-5
5 1/2"	TC316-5.5	316179	--	--
6"	TC316-6	316046	010319	TC294-6
7"	TC316-7	316047	010320	TC294-7
8"	TC316-8	316048	010321	TC294-8
9'	TC316-9	316049	010322	TC294-9
10"	TC316-10	316050	010323	TC294-10
11"	TC316-11	316051	010324	TC294-11
12"	TC316-12	316052	010325	TC294-12

**NEW**

### VFT Long Tee Snout

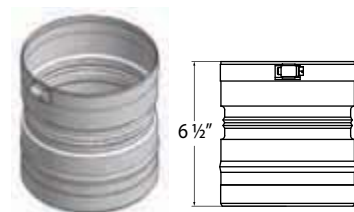


Use to increase reach through masonry at wall thimble.

SIZE	ORDER #	STOCK #
3"	316143	EX316-3
4"	316144	EX316-4
5"	316145	EX316-5
6"	316146	EX316-6
7"	316147	EX316-7
8"	316148	EX316-8
9'	316149	EX316-9
10"	316150	EX316-10
11"	316151	EX316-11
12"	316152	EX316-12

**NEW**

### Swivel Tee Adapter

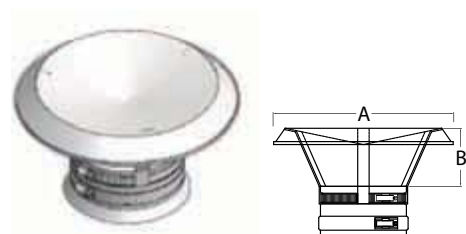


Use as connector between liner and Tee. Allows tee body to be rotated at wall thimble.

SIZE	ORDER #	STOCK #
5"	TSW316-5	316139
6"	TSW316-6	316140
7"	TSW316-7	316141
8"	TSW316-8	316142

**NEW**

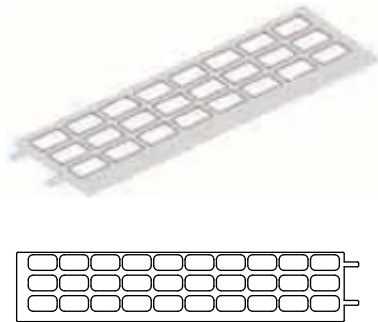
### Rain Cap w/ Storm Collar



Use to support liner from the top and form a seal between it Storm Collar and the Top Plate. Top is removable for easy access to chimney cleaning.

SIZE	ORDER #	STOCK #	A	B
3"	RC-3	010136	7 1/2"	3 3/4"
4"	RC-4	010137	8 1/2"	3 3/4"
5"	RC-5	010138	9 1/2"	3 3/4"
5 1/2"	RC-5.5	010146	11 1/2"	3 3/4"
6"	RC-6	010139	11 1/2"	4"
7"	RC-7	010140	14 1/2"	4"
8"	RC-8	010141	15 1/2"	4"
9'	RC-9	010142	16 1/2"	4 1/2"
10"	RC-10	010143	18 1/2"	4 1/2"
11"	RC-11	010144	19 1/2"	4 1/2"
12"	RC-12	010145	20 1/2"	4 1/2"

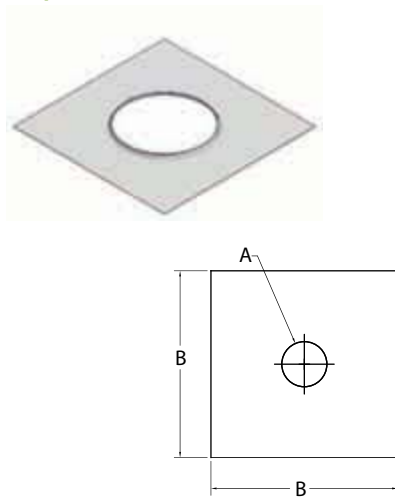
**NEW** Bird Screen



Use to add a bird screen to a standard Rain Cap.

SIZE	ORDER #	STOCK #
3"	RCB-3	010246
4"	RCB-4	010247
5"	RCB-5	010248
5 1/2"	RCB-5.5	010257
6"	RCB-6	010249
7"	RCB-7	010250
8"	RCB-8	010251
9'	RCB-9	010252
10"	RCB-10	010253
11"	RCB-11	010254
12"	RCB-12	010255

**NEW**  
Top Cover Plate

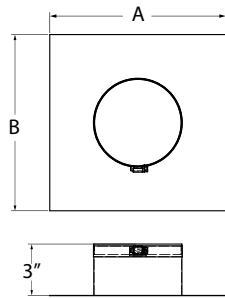


Use to close the top of a masonry chimney and to provide support for the liner.

SIZE	ORDER #	STOCK #	A	B
3"	TKP-3	010236	3 3/16"	13"
4"	TKP-4	010237	4 3/16"	13"
5"	TKP-5	010238	5 3/16"	13"
5 1/2"	TKP-5.5	010256	5 4/5"	13"
6"	TKP-6	010239	6 3/16"	13"
7"	TKP-7	010240	7 3/16"	13"
8"	TKP-8	010241	8 3/16"	13"
9'	TKP-9	010242	9 3/16"	18"
10"	TKP-10	010243	10 3/16"	18"
11"	TKP-11	010244	11 3/16"	18"
12"	TKP-12	010245	12 3/16"	18"

**NEW**

### Bottom Plate w/ Collar

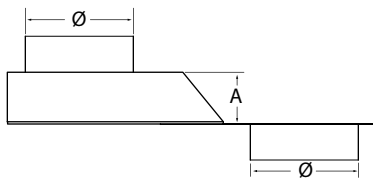
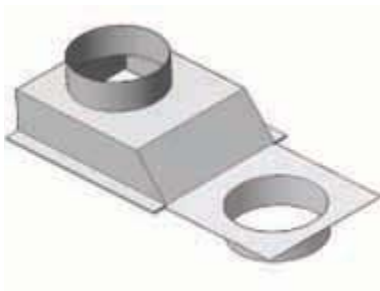


Attach to bottom of liner in the smoke chamber of a fire place, then pull up to form a seal between the liner and clay tile.

SIZE	ORDER #	STOCK #	A x B
6"	BPC-6	010190	12" x 13"
7"	BPC-7	010191	12" x 13"
8"	BPC-8	010192	12" x 13"
9'	BPC-9	010193	14" x 16"

**NEW**

### Offset Slide Adapter

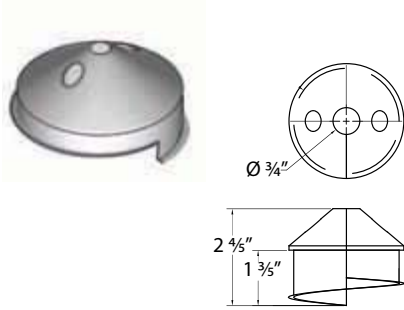


Use as a horizontally adjustable connector between a liner and top flue outlet of a heater.

SIZE	ORDER #	STOCK #	A
6"	FA-6	020526	2 3/4"
8"	FA-8	020528	3 1/4"



**NEW**  
Installation Cone



Use with a rope to pull liner through offsets in masonry chimney. Twists into liner.

SIZE	ORDER #	STOCK #
3"	VIC-3	020196
4"	VIC-4	020196
5"	VIC-5	020196
5½"	VIC-5.5	020196
6"	VIC-6	020196
7"	VIC-7	020196
8"	VIC-8	020196
9"	VIC-9	020196
10"	VIC-10	020196
11"	VIC-11	020196
12"	VIC-12	020196

**NEW**  
Round-to-Oval Flex Connector



Use to connect round portion of this connector to round liner. Oval portion of connector fits through fireplace dampers.

SIZE	ORDER #	STOCK #
6" x 48"	STO-648	010452
6" x 57"	STO-657	010451
7" x 48"	STO-748	010543
7" x 57"	STO-757	010454
8" x 48"	STO-848	010456
8" x 57"	STO-857	010455
9" x 48"	STO-948	010457
10" x 48"	STO-1048	010458
10" x 57"	STO-1057	010459

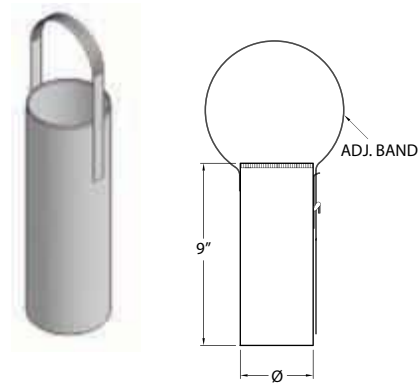
**NEW**  
Oval Flex Connector



Use as a flex connector between the top of a fireplace insert and the bottom of a clay tile. See kits for details.

SIZE	ORDER #	STOCK #
6" x 48"	RTO-648	010436
6" x 57"	RTO-657	010437
7" x 57"	RTO-757	010438
8" x 48"	RTO-848	010439
8" x 57"	RTO-857	010440
10" x 57"	RTO-1057	010441

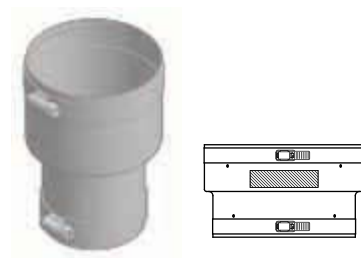
**NEW**  
VG Universal Take-off



Use to connect additional appliances into a common vent.

SIZE	ORDER #	STOCK #
3"	T0294-3	010416
4"	T0294-4	010417
5"	T0294-5	010418
6"	T0294-6	010419

**NEW**  
VG Increaser/Reducer



Use to increase or decrease vent diameters . Additional sizes available through special order.

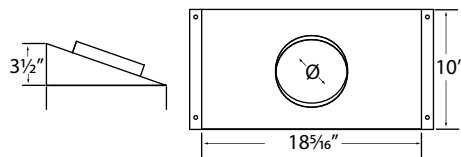
SIZE	ORDER #	STOCK #
6" - 5"	IR294-65	010427
7" - 8"	IR294-78	010428
9" - 8"	IR294-98	010429
7" - 6"	IR294-76	010430

**NEW**  
Round Insert Boot

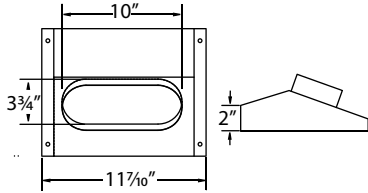


Use to connect inserts with either rectangular or round flue collars to 6" or 8" liners. Made from 11 gauge carbon steel.

SIZE	ORDER #	STOCK #
6½"	DCF-R6	020518
8½"	DCF-R8	020520



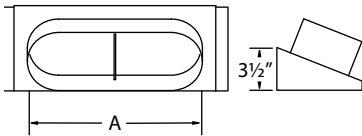
**NEW**  
Oval insert Boot



Use to connect inserts with 5" to 8" round flue collars to 8" Oval Flex Connectors. Made from 11 gauge carbon steel.

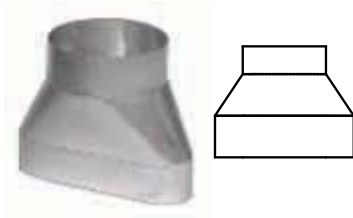
ORDER #	STOCK #
DCF-RO	020517

**NEW**  
Oval Adjustable Insert Boot



Use to connect inserts with rectangular flue outlets to Oval Flex Connectors. Top plate can point straight up or back towards the damper. Made from 11 gauge carbon steel.

A	ORDER #	STOCK #
11"	IC0-8	020483
14"	IC0-10	020484

**NEW****Round-to-Oval Adapter**

Use as a drip-free connection between a round liner and Oval Flex Connector.

SIZE	ORDER #	STOCK #
6" x 6"	AD-66	020465
6" x 7"	AD-67	020466
6" x 8"	AD-68	020467
7" x 8"	AD-78	020468
8" x 8"	AD-88	020469
8" x 9"	AD-89	020470
8" x 10"	AD-810	020471
9" x 10"	AD-910	020472
10" x 10"	AD-1010	020473

**For insulation options, see page 159.**