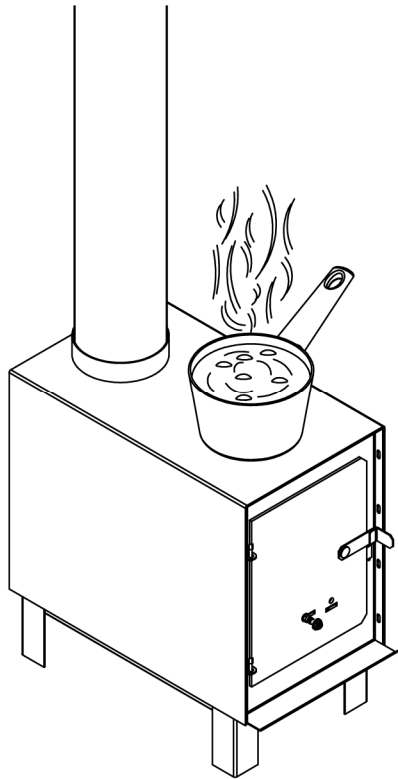




OWNER'S MANUAL

The Hunter wood heater and cook stove (DB00400 model)



This manual is available for free download on the manufacturer's web site. It is a copyrighted document. Re-sale is strictly prohibited. The manufacturer may update this manual from time to time and cannot be responsible for problems, injuries, or damages arising out of the use of information contained in any manual obtained from unauthorized sources.

Manufactured by: STOVE BUILDER INTERNATIONAL INC.
250, de Copenhague, Saint-Augustin-de-Desmaures (Québec) G3A 2H3
After-sale service: 418-908-8002 E-mail: tech@sbi-international.com
www.drolet.ca

KEEP THIS OWNER'S MANUAL FOR FUTURE REFERENCE.

OWNER'S MANUAL

TABLE OF CONTENT

THE HUNTER WOOD STOVE MANUAL.....	2
INSTALLATION OF YOUR HUNTER	2
APPLICATION.....	2
POSITIONING THE STOVE	2
ASSEMBLING YOUR HUNTER	3
FLOOR PROTECTION.....	3
CLEARANCES FROM COMBUSTIBLES	3
COUPLINGS.....	4
OPERATING YOUR HUNTER WOOD STOVE	5
OVERHEATING PROTECTION.....	5
SOLID FUEL	5
BEFORE YOUR FIRST FIRE	5
IGNITION	5
USING YOUR HUNTER	6
COOKING	7
MAINTENANCE OF YOUR HUNTER	8
WARRANTY.....	9

The **HUNTER**

SBI INC., one of the most important wood stoves and fireplaces manufacturers in Canada, congratulates you on your purchase and wishes to help you get maximum satisfaction from the wood heater and cook stove you have selected. In the pages that follow, we will give you advice regarding installation, operation and maintenance of the model you have chosen.

The instructions pertaining to the installation of your stove comply with ULC S627 standards. You must follow them very carefully in order to eliminate any chance of encountering major problems.

Keep this owner's manual for future reference.

Installation of your **HUNTER** wood heater and cook stove

Application

THE HUNTER WOOD HEATER AND COOK STOVE MUST BE USED FOR RECREATIONAL PURPOSES ONLY, SUCH AS ICE FISHING, CAMPING, AND HUNTING. IT WAS NOT DESIGNED FOR RESIDENTIAL HEATING. IT IS IDEAL FOR COOKING AS WELL AS HEATING TEMPORARY INSTALLATIONS SUCH AS PROSPECTOR TENTS.

Positioning the stove:

The stove must not be hooked up to a hot air distribution system since an excessive accumulation of heat may occur.

It is prohibited to install your **HUNTER** in a mobile home.

Assembling your HUNTER :

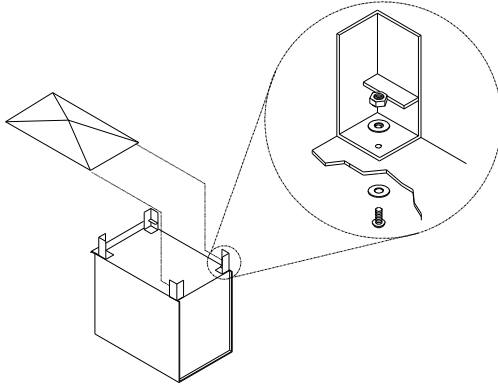


Fig. 1

LEGS, HEAT SHIELD and FIRE Baffle

1. Turn the stove upside down;
2. Screw the four (4) legs into place (see fig. 1);
3. Slide the heat shield between the four (4) legs and the bottom of your stove.
4. Slide the heat baffle into place (inside the firebox), just below the flue outlet. Make sure that that the bumps on the baffle are facing upward.

NOTE: You must slightly bend the sheet metal in order to get the heat shield into place. The heat shield's cross must be facing upward.

Floor Protection:

Your stove has to be placed on a non-combustible surface. The following minimum specifications must be respected:

NON-COMBUSTIBLE FLOOR PROTECTION			
Thickness	Front protrusion	Side protrusion	Rear protrusion
1/64" (0.38 mm)	18" (460 mm)	8" (200 mm)	8" (200 mm)

Clearances from combustible material:

Clearances from combustible material as described below must be scrupulously respected upon installation.

CLEARANCES FROM COMBUSTIBLE MATERIAL			
Back wall	Side wall	Corners	Height *
48" (1220 mm)	48" (1220 mm)	48" (1220 mm)	60" (1524 mm)

* Height, from stove's cooking surface to ceiling.

Couplings:

Once the unit is in place and the minimum clearances are respected, it must be coupled to the chimney with a connector (commonly called “stove pipe”). Verify the clearance between your stove pipe and the surrounding combustible material. If the standard minimum 18-inch (457 mm) clearance cannot be obtained, you may use an insulated stove pipe or a thermal protection shield. Read and respect the pipe manufacturer's instructions before installation.

Your smoke evacuation system should be assembled in such a way that the male sections of the pipes face down. Attach each of the sections to one another with three equidistant metal screws. The pipes must be short and straight. All sections installed horizontally must slope at least 1/4 inch per foot, with the lower section toward the stove.

Installation of a "barometric draft stabilizer" (fireplace register) on your smoke exhaust system is prohibited. **Furthermore, installation of a draft damper is recommended.**

Operating your HUNTER

Avoiding overheating :

Your HUNTER does not come with refractory firebrick. Nevertheless, it is recommended (although not an obligation) to install firebrick on the bottom of the firebox. Even if the firebrick does not fit perfectly on the bottom, leaving spaces between each brick, it will help protect your firebox and increase its useful life.

Solid Fuel:

Your stove is designed to burn wood only; no other combustible should be burnt. Waste and other flammable material should not be burnt in your stove. Any type of wood may be used in your stove, but specific species have better energy yields than others. The vast majority of the problems related to the operation of a wood stove are caused by the fact that the wood used is too damp. These problems can be:

- Ignition problems;
- Creosote build-up causing chimney fires;
- Low energy yield;
- Incomplete log combustion.

Before your first fire:

- Make sure that the chimney and flue pipe are well installed according to the manufacturer's specifications.
- Respect all clearances to combustible material and floor protection requirements mentioned in this manual.

Ignition:

After making sure that the stove air intake control is fully open, place several ruffled sheets of paper in the center of the combustion chamber. Place 8 to 10 pieces of small dry kindling wood over the paper in the form of a tent. You may also place a few pieces of heating wood, but choose them as little as possible. **No chemical liquid (or accelerant) should be used to light the fire.**

Before igniting the paper and kindling wood, it is recommended that you warm up the chimney. This is done in order to avoid back draft problems; cold air from the outside tends to penetrate into the chimney. Twist together a few sheets of newspaper into a torch. Light up this paper torch and hold it as close as possible to the entry of the flue inside the combustion chamber to warm up the chimney. Once the updraft movement is initiated, you are ready to ignite the stove by lighting the paper and kindling wood inside the combustion chamber.

Leave the door slightly opened (a few inches) for a 5 to 10 minute period, **under supervision**, in order to allow for good combustion. After this time, you may close the door and progressively adjust the air control to obtain the desired intensity.

CAUTION:

- Do not leave the stove unattended when the door is slightly opened.
- When the stove is used for the first time, intense fire is prohibited in order to allow adequate curing of the paint covering the stove and to prevent a "thermal shock" which may remove or whiten the paint.
- Make sure the area where the stove is located is well ventilated, to remove the bad odors emitted from the paint, during the first, two or three hours of using the stove and for the first three or four fire start-ups.
- Never use chemical liquids to ignite the fire.
- Do not burn waste, flammable fluids such as gasoline, naphtha or motor oil.

Using your HUNTER:

Once you have obtained a good bed of embers, you should reload the unit. For optimal and safe operation, we recommend that you operate the stove with a wood load not higher than 6 inches.

The combustion air intake control is located on the door. We strongly recommend that you install a magnetic thermometer on your smoke exhaust pipe, approximately 18" (457 mm) above the stove. This thermometer will indicate the temperature of your gas exhaust fumes within the smoke exhaust system.

The ideal temperature of the flue is between 250°F and 500°F. Below this temperature, the build-up of creosote is promoted while above 500°F (260oC), heat is wasted.

In summary, it is very easy to operate your wood stove, and you can prevent all potential problems by taking the following steps:

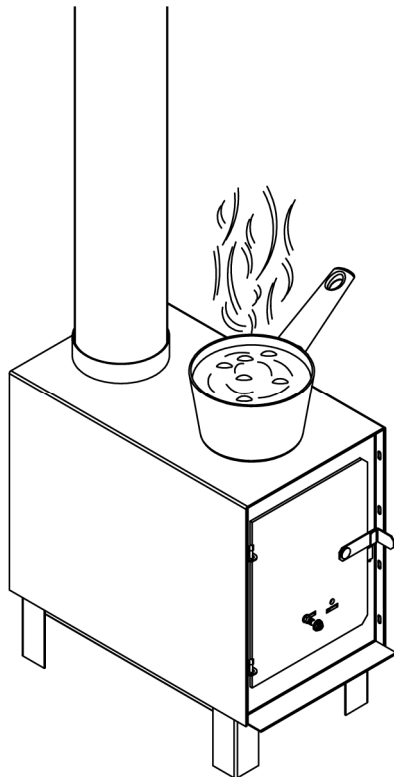
- 1) Follow the installation standards scrupulously and respect the minimum clearances from combustible material.
- 2) Burn only dry wood, that is, with a maximum 25% moisture content. Install a magnetic thermometer on your pipe, 18" (457 mm) above the stove, and maintain the temperature of your exhaust gas fumes between 250° F and 500° F.

IMPORTANT:

It is important to note that wood combustion consumes ambient oxygen. Therefore, a constant supply of oxygen through a permanent air intake is mandatory.

Cooking:

The top of your *Hunter* gets very hot and is ideal for cooking. Use a pan to cook food. Do not cook food directly on the stove top. Should you want to cook directly on the stove top, it is suggested that you lay a piece of stainless steel that you can remove and wash once you are done. This piece of stainless steel will prevent rusting.



Maintenance of your **HUNTER**

Maintenance of your HUNTER:

Your stove needs little maintenance:

- Ideally, install refractory firebrick on the bottom of your stove;
- It is wise to perform a visual inspection of the stove in order to insure that no parts have been damaged, in which case repairs must be performed without delay.
- You should regularly dispose of the ashes, as soon as they prevent you from placing a normal load of wood;
- Always use a metal container with a lid to save the cooled ashes you remove from the stove. Make sure that there are no live embers. Moreover, it is wise to place the metal container on a non-combustible surface.
- It is possible to give your wood stove a brand new look, by repainting it with a 1200°F (649°C) heat resistant stove or barbecue paint.

Features

The HUNTER

Type of fuel Wood

Exterior dimensions

Width: 12.5/8" (320 mm)

Depth: 22.7/8" (581 mm)

Height: 23.3/8" (594 mm)

Weight 56 lb (25.4 kg)

Firebox

Volume : 2 cubic feet (0,056 m³)

Floor Area: 19 7/8" L x 12 3/8" P (505 mm x 314 mm)

Door Opening: 9 3/8" L x 10 7/8" H (238 mm x 276 mm)

Maminum

Log Size 20" (508 mm) loading over depth

Flue Outlet 6" diameter (152 mm) - vertical



ONE YEAR WARRANTY LIMITED TO WELDINGS

The warranty of the manufacturer extends only to the original consumer purchaser and is not transferable. This warranty covers brand new products only, which have not been altered, modified nor repaired since shipment from factory. Proof of purchase (dated bill of sale and model name must be supplied when making any warranty claim to your Drolet dealer.

This warranty applies to normal recreational use only. Damages caused by misuse, abuse, improper installation, lack of maintenance, over firing, negligence or accident during transportation are not covered by this warranty.

This warranty does not cover any scratch, corrosion or discoloration caused by over firing, abrasives or chemical cleaners. Any defect or damage caused by the use of unauthorized parts or others than original parts void this warranty.

All installations must be in accordance with the instructions supplied with this product and all local and national building codes. Any service call related to an improper installation is not covered by this warranty.

Returned products are to be shipped prepaid to the manufacturer for investigation. If a product is found to be defective, the manufacturer will repair or replace such defect and reasonable transportation fees will be refund. Repair work covered by the warranty, executed at the purchaser domicile by an authorized qualified technician requires the prior approval of the manufacturer. Labour cost and repair work to the account of the manufacturer are based on predetermined rate schedule and must not exceed the wholesale price of the replacement part.

The manufacturer at its discretion may decide to repair or replace any part or unit after inspection and investigation of the defect. The manufacturer may, at its discretion, fully discharge all obligations with respect to this warranty by refunding the wholesale price of any warranted but defective parts.

The manufacturer shall in no event be responsible for any special, indirect, consequential damages of any nature, which are in excess of the original purchase price of the product. Shall your unit or a components be defective, contact immediately your Drolet dealer.