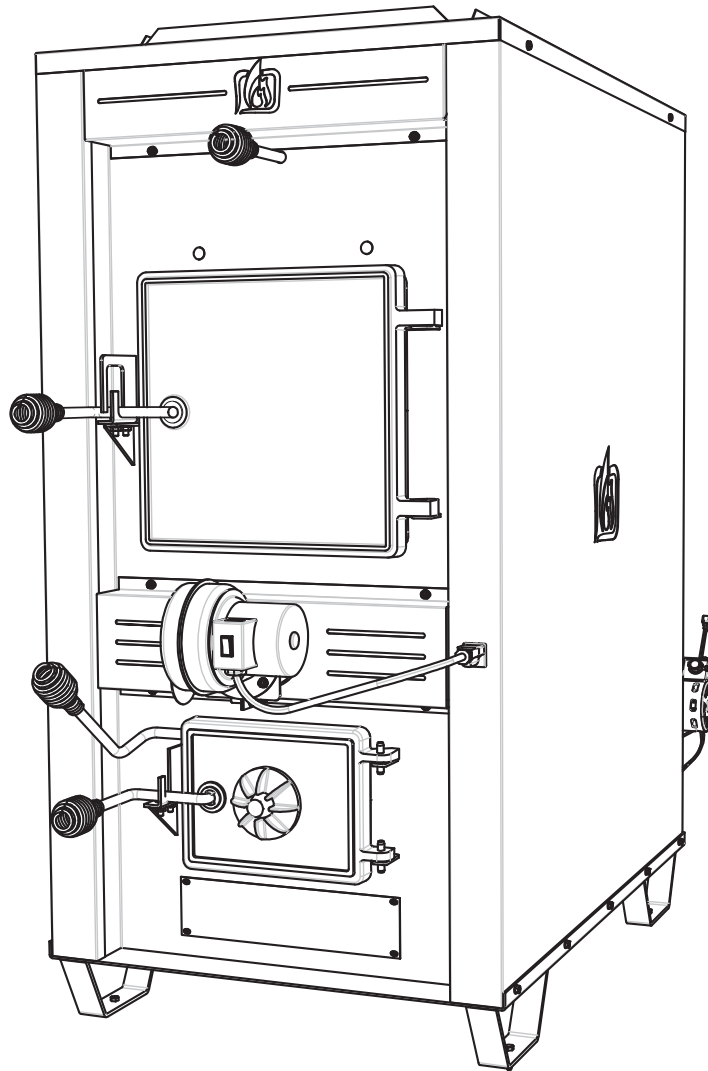




BRECKWELL®

Exceptional Heat, Outstanding Value

Installation/Operator's Manual



Model: SF747

Wood or Coal Gravity Style (Up-Flow) Supplemental Furnace

SAFETY NOTICE:

If this furnace is not properly installed, a house fire may result! For your safety, follow these installation instructions. Contact local building or fire officials about restrictions and installation requirements in your area. This furnace must be installed by a qualified technician. Keep these instructions for future reference.

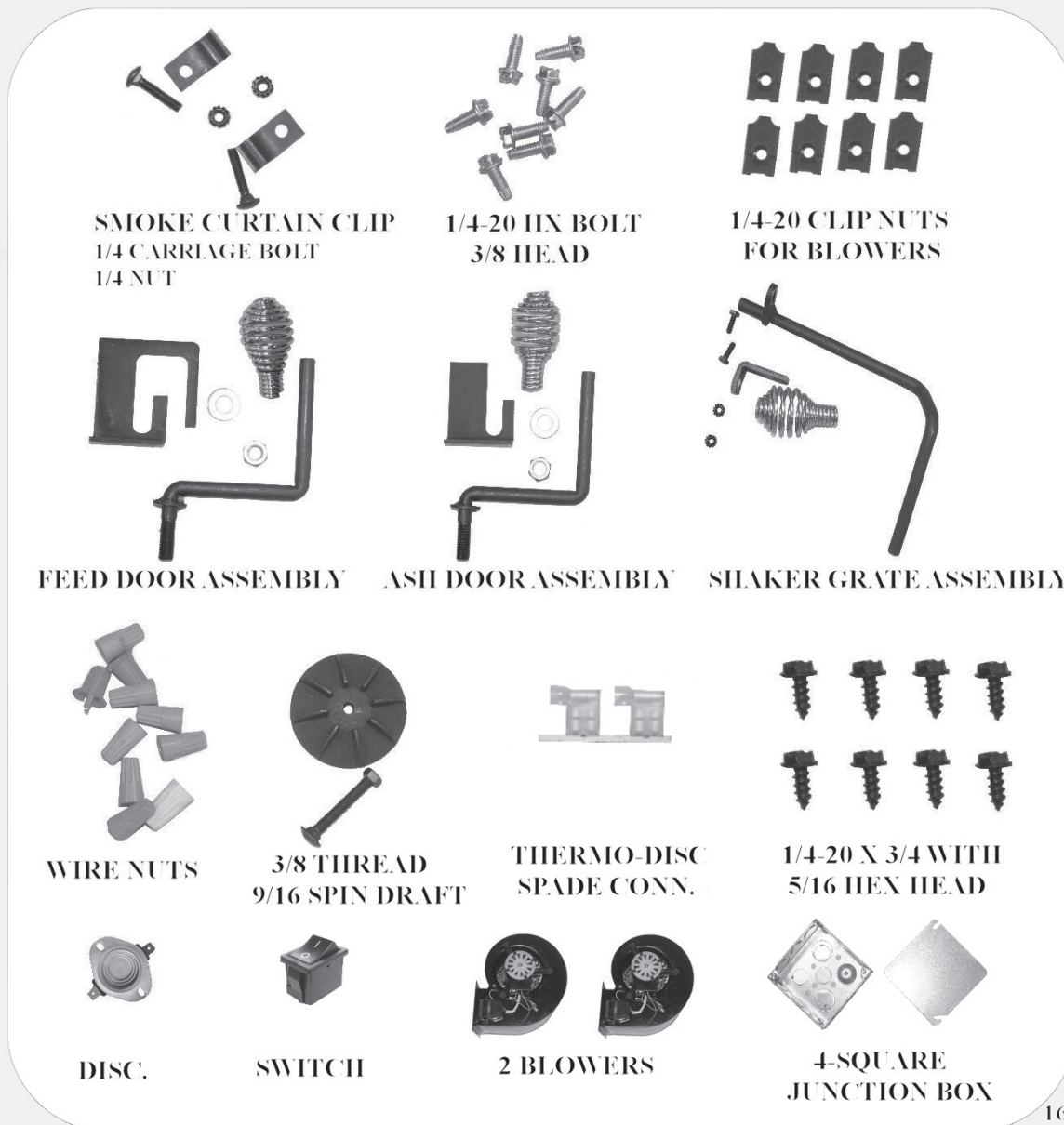
Safety Tested to UL 391

United States Stove Company • 227 Industrial Park Road, P.O. Box 151 • South Pittsburg, TN 37380 • www.Breckwell.com

TOOLS NEEDED



LIST OF PARTS



1600/1602
1800/1802

CUT HERE



WARRANTY INFORMATION CARD

Name _____ Telephone #: (____) _____

City _____ State _____ Zip _____

Email Address _____

Model # of Unit _____ Serial # _____

Fuel Type: Wood Coal Pellet Gas Other _____

Place of Purchase (Retailer) _____

City _____ State _____ Zip _____

If internet purchase, please list website address _____

Date of Purchase _____

Reason for Purchase: Alternative Heat Main Heat Source

Decoration Cost Other _____

What was the determining factor for purchasing your new appliance? _____

I have read the owner's manual that accompanies this unit and fully understand the:
Installation Operation and Maintenance of my new appliance.

Print Name

Signature

Date

Please attach a copy of your purchase receipt.

Warranty not valid without a Proof of Purchase.

Warranty information must be received within 30 days of original purchase.

Detach this page from this manual, fold in half with this page to the inside and tape together. Apply a stamp and mail to the address provided. You may use an envelope if you choose.

You may register online by going to www.usstove.com

All information submitted will be kept strictly confidential. Information provided will not be sold for advertising purposes.
Contact information will be used solely for the purpose of product notifications.

CUT HERE



CUT HERE



CUT HERE



Fold Here

Fold Here

PLACE
STAMP
HERE

United States Stove Company
 P.O. Box 151
 South Pittsburg, TN 37380

INTRODUCTION

Thank You for your purchase of a U.S. Stove Wood/Coal Burning Gravity Style (Up-Flow) Furnace. Your decision to buy our furnace was undoubtedly reached after much careful thought and consideration. We are very proud you chose this furnace and trust you will receive the comfort and economy that others realize when heating with a U.S. Stove product.

Your dealer is important in your experience with the furnace not only with the purchase, but for recommendations for professional installation in your home. The qualified professional installer has been expertly trained in solid-fuel furnace installation to assure the safety and comfort for your family while saving you money. Trust your experienced installer. He is a specialist in this field.

IMPORTANT

Before installing and using your furnace, please read the following pages thoroughly and carefully. If you follow the instructions, your furnace will give you safe and more dependable service for years to come.

- First step: Check your local codes. This installation must comply with their rulings.
- Do Not install this furnace in a mobile home or trailer
- Always have a smoke or ionization detector and a CO detector installed in your home.
- To prevent injury or damage, do not allow anyone who is unfamiliar with the furnace to operate it.
- This furnace **must be** installed ONLY in the prescribed manner shown in illustrations 1, 2, or 3 under the **Installation Examples** in this manual. It is **NEVER to be installed as a counter-flow or down-draft furnace**, or in any manner wherein the heated air is directed in a downward flow into the home or toward to an existing central furnace.
- **NEVER INSTALL** outside the home.
- Spend adequate time with your furnace to become well acquainted with the different settings and how each will affect its burning patterns. It is impossible to state just how each setting will affect your furnace because of the variations in each installation.

DISCLAIMER NOTICE

The BTU ranges and heating capacity specifications are provided as a guide and in no way guarantee the output or capacity of this unit. The actual BTU output depends on the type of fuel being burned and its conditions, the thermostat setting, the draft adjustment and the chimney to which the unit is attached. The actual area that this unit will heat depends on factors such as the conditions of the building, heat loss, type of construction, amount of insulation, type of air movement, the location of the unit and more importantly the duct work and return air facility.

Warning:

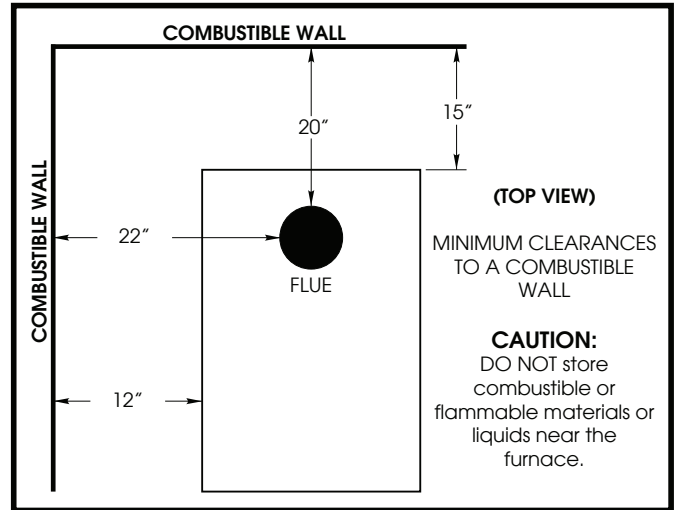
Do not alter this appliance in any way other than specified in these instructions. Doing so may void your warranty.

LOCATING YOUR FURNACE

The furnace is to be installed maintaining the clearances specified in the following illustrations.

Do not place the furnace directly on a combustible floor. If you are placing it on a combustible floor, an approved fire retardant material, equivalent to 3/8" UL Listed mill-board, should be placed under the unit. The material must extend at least 16 inches beyond the front of the unit and 8 inches on either side of the fuel loading door opening. It must also extend underneath the chimney connector and to each side of the connector by at least 2 inches.

CLEARANCES



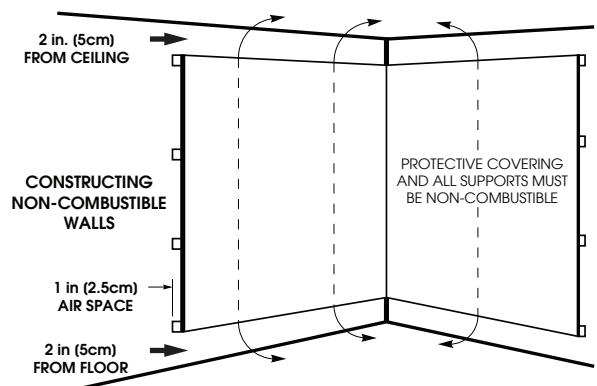
REDUCED CLEARANCES

NFPA guidelines and most codes permit reduced clearances to combustible walls and ceilings if adequate protection is added. A common mistake is to assume that sheet metal, masonry, or millboard placed directly against a wall protects it. Materials installed in this manner actually provides very little protection. These materials are good heat conductors, so they will be almost as hot on their back side as they are on the exposed side. Therefore, the combustible wall behind is still a fire hazard.

A wall can be kept cool using these items but only if they are mounted and spaced out from the wall by an inch or two to allow free air circulation behind the protective panel. The protective panel should also have a gap between the floor and ceiling.

Three rules to follow when constructing wall protectors:

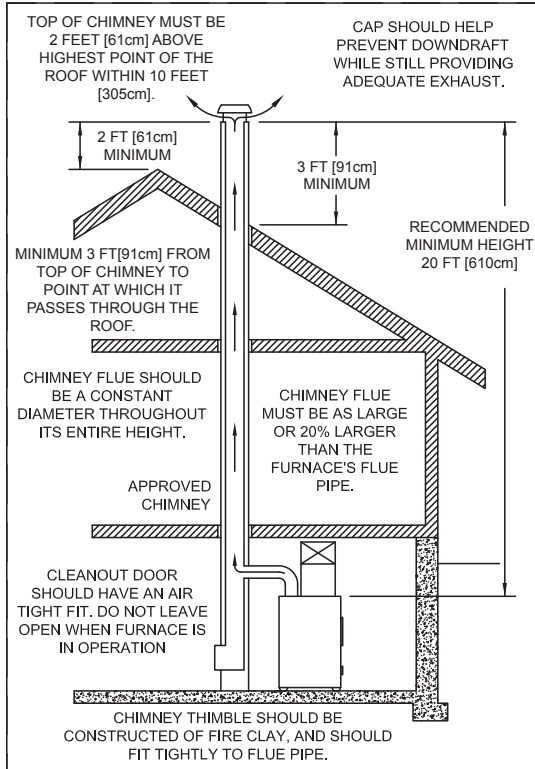
1. Non-combustibility of all materials including mounting and supporting.
2. A well ventilated air space between protector and wall.
3. Sufficient strength and rigidity so that the protector and air space will be durable.



CHIMNEY REQUIREMENTS

A fireclay lined masonry or Class A 103HT All-Fuel Metal Insulated Chimney must be used in all airtight wood furnace installations. The minimum recommended flue size for the model AAF747 is 6 inches, inside diameter. When making new chimney installations, always follow the chimney manufacturer's instructions.

If at all possible, use the factory built, class A 103HT chimney mentioned above. They are safer and perform better than traditional masonry chimneys. If a masonry chimney is a must, be certain it has a fire clay liner and that it is intact, clean and recently inspected. And remember, masonry chimneys are far more prone to the formation of hazardous creosote.



1. The furnace should be the only heating using the chimney flue. One furnace per flue outlet.
2. A masonry chimney should have a tile or stainless steel liner.
3. The masonry chimney should not have any missing mortar or loose bricks.
4. There should be no mortar or parts of the chimney blocking the chimney flue.
5. There should be a two inch clearance between any chimney (masonry or metal) and combustibles. (such as the house)
6. The chimney should extend at least 2 foot above the highest point of the house, or 2 foot above the point at which the chimney is 10 foot from the roof.
7. The chimney should be relatively straight and vertical.
8. The portion of an all-fuel metal chimney that extends above the roof should be well secured.
9. A masonry chimney should be built on footings and not attached to the house.
10. A rain cap, complete with an animal or bird screen, should be installed on top of the chimney.

CREOSOTE - FORMATION AND NEED FOR REMOVAL

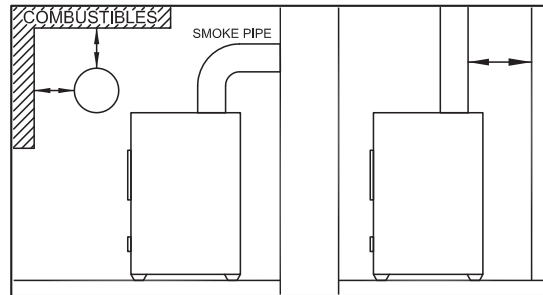
When wood is burned slowly, it produces tar and other organic vapors, which combine with expelled moisture to form creosote. The creosote vapors condense in the relatively cool chimney flue of a slow-burning fire. As a result, creosote residue accumulates on the flue lining. When ignited, this creosote makes an extremely hot fire.

The chimney connector and chimney should be inspected at least twice monthly during the heating season to determine if a creosote build-up has occurred. If creosote has accumulated, it should be removed to reduce the risk of a chimney fire.

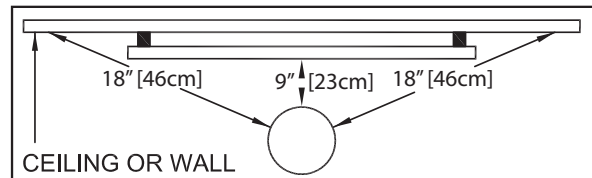
SMOKE PIPE INSTALLATION

Clearances to combustible materials (i.e. paneling, ceiling tile, sheet rock, plaster, draperies, casements or wood trim, etc.) will vary with the type of flue connection used. Be sure to maintain the specified clearances for your type of installation.

TYPE OF FLUE CONNECTION	REQUIRED CLEARANCE
24 Gauge or Heavier Single Wall Stainless Steel or Black Pipe	18"
Double Wall, Stainless Steel or Double Wall, Black Pipe w/ Stainless Steel Inner wall	6"
Class A 103HT All-Fuel or Equivalent	2"



According to NFPA standards, single wall stove pipes can be within 9" of combustibles provided an approved fire retardant material covered with 28 gauge sheet metal, spaced out 1" on non-combustible spacers, is utilized. See illustration.



When using a Class A or double wall flue pipe connection, follow the manufacturer's instructions.

When constructing a single wall smoke pipe, the following guidelines must be observed.

1. The connector pipe should be 24 gauge or heavier stainless steel or black pipe.
2. Secure all joints with three #8 screws.
3. If the connector pipe must pass through a wall, an approved insulated or ventilated thimble, at least three times the diameter of the smoke pipe must be used. (i.e. a 6" diameter smoke pipe needs an 18" thimble).
4. **The connector pipe should never be used as a chimney.**

IMPORTANT INFORMATION FOR ALL CONNECTOR PIPES

The connector pipe must be constructed and installed so that it maintains clearances, keeps condensation and creosote within the pipe, and is capable of withstanding a 2100°F degree chimney fire.

1. The connector pipe should slant down toward the furnace a minimum of 1/4" to the foot. At no time should the pipe turn downward toward the chimney or run horizontal.
2. There should be no more than two 90 degree elbows.
3. The connector pipe should never be longer than six feet. If it is absolutely necessary to make a run of more than six feet (not recommended) use extra support brackets every 3 feet.
4. The connector pipe should never be reduced to a smaller size than flue opening on the furnace.
5. The connector pipe should not block the flue of the chimney or extend into it in any way.
6. A good airtight thimble should be used to hold the connector pipe in the chimney. It should be constructed so the connector pipe can be removed for cleaning.
7. The connector pipe should not leave the heated portion of the building to reach the chimney.
8. The connector pipe should not pass from one story to the next before entering the chimney, nor should it pass through any closed or enclosed space.
9. The connector pipe and any elbows must be of 24 gauge or greater.
10. The connector pipe should not be located near or in a walk way or well traveled area.
11. All male ends of connector pipe should run or point towards the furnace.
12. Install a cast iron adjustable damper in the first joint of the connector pipe, nearest to the flue collar.

DAMPERS ON STOVE PIPES

When burning coal, we recommend a Barometric Draft Damper be installed at a safe convenient place between chimney and your furnace preferably less than 3' from the flue collar.

When you have installed the connector pipe between your furnace and the chimney, tap the pipe hard with your fingernail. Remember the sound it makes - it will be a "ting" echoing inside the stove pipe. If later you tap and hear a muffled thud, you are building up soot in the pipe and should clean it. This pipe should be cleaned at least once or twice during the heating season.

DO NOT CONNECT TWO HEATERS TO THE SAME CHIMNEY FLUE. The National Fire Prevention Association recommends that wood burning appliances vent into a separate flue from gas or oil furnaces. If such an installation is contemplated, first check with a local building inspector to find out if a separate flue for a wood burner is required.

Use of a Barometric Draft Control (when burning wood) is recommended ONLY in the event your chimney creates excessive draft leading to an over-firing condition.

HEATED AIR DISCHARGE

The furnace is designed for use as a supplemental heating source. When used as a supplementary furnace, it is connected in conjunction with an oil, gas, or electric furnace to the existing duct work which distributes the heated air into several rooms and/or areas.

Though United States Stove Company expressly Does Not recommend the use of its furnaces to be installed and/or used as a free-standing heater, it is possible to achieve a reasonably safe and functional installation IF certain standard procedures are followed. The following are guidelines only and are intended to enable the furnace user to obtain reasonable efficiency from his furnace, and with due respect to safety when installing as a "free-standing heater". If installed correctly, and in accordance with the instructions found in this manual, your warm air furnace may be installed as a "space heater" within living quarters, cabins, garage, or workshop. Please adhere to the following:

1. The use of a cold air return and/or filter box is mandatory. This will not only increase your blower life and provide filtered air, it will also help prevent the blower or blowers from "capturing" heated air exiting from the top of the furnace heat outlets.
2. If installed as purchased, without directing the heat away from the furnace itself, it will simply sit and cycle, turning the blowers off and on. The thermostat may not function properly.
3. All larger furnaces (or those with multi-speed blowers) absolutely require BACK PRESSURE to prevent premature motor winding failure. If allowed to operate at high RPM (As in "FREE AIR" mode - no duct work or flow restrictions) the windings overheat, insulation melts and the motor simply burns up - not covered under warranty.

CONNECTING HOT AIR DUCT TO FURNACE

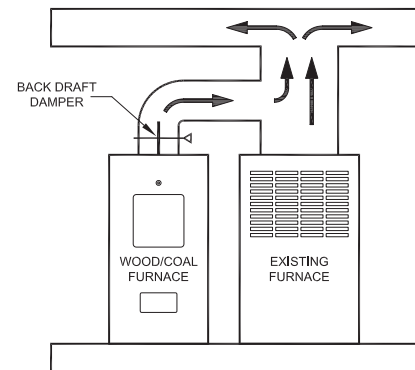
We strongly recommend that the hot air duct work be installed by a home heating specialist. If doing the installation yourself, before you decide which installation will best suit your needs, consult a qualified heating technician and follow his recommendations as to the safest and most efficient method of installation.

The following illustrations are the **ONLY** acceptable configurations when installed with existing oil or gas furnaces.

INSTALLATION EXAMPLES

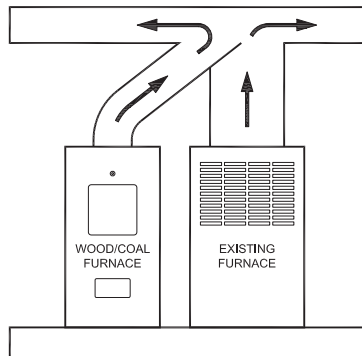
INSTALLATION #1

With this installation, a back draft damper (optional) is inserted into the heat run before the plenum of the existing furnace to prevent air from the existing furnace to blow back into the furnace when it is not in use. When a back damper is employed, it should be located as close to the existing furnace plenum as practical.



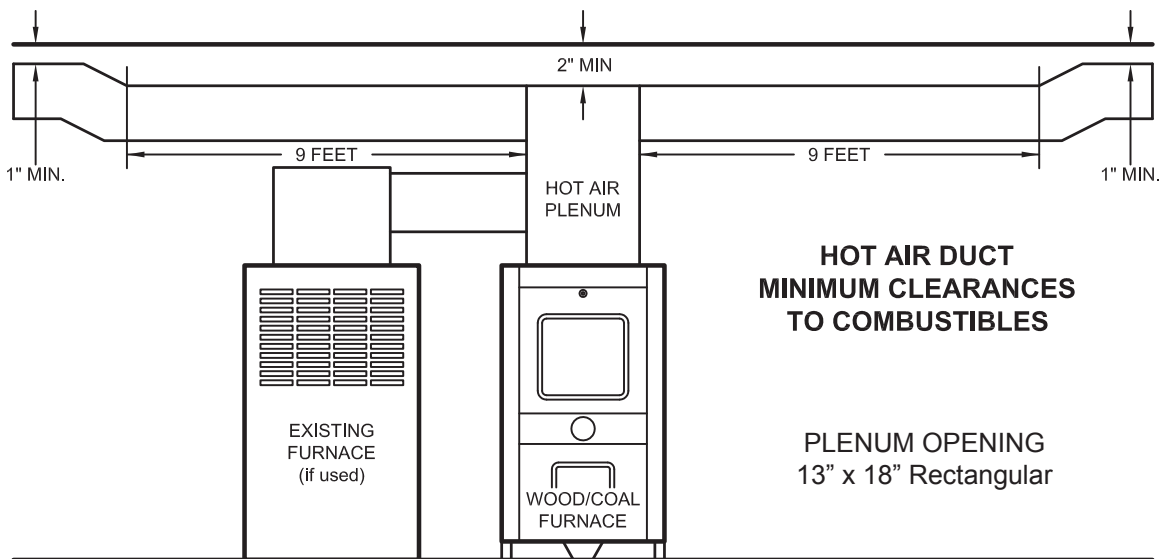
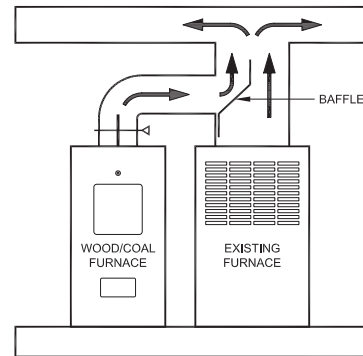
INSTALLATION #2

Extending the hot air duct from the furnace into the existing plenum will help direct the flow of air from the furnace as well as the flow in the existing furnace. Ducting entering the existing plenum at an angle (approximately 45 degrees) will facilitate air flow from the furnace while diverting air from the existing furnace.



INSTALLATION #3

The baffle on this system should be made the full width of the furnace plenum in order to properly direct the air into the distribution ducts.



RETURN AIR IS VERY IMPORTANT

When installing your furnace, return air **MUST BE** incorporated into the system. Return air can be provided by installing a separate duct system or by tying into the cold air return of an existing gas or oil furnace. The cold air return duct can be connected to the furnace with either a factory manufactured filter box, model UFB908 or an equivalent fabricated from sheet metal.

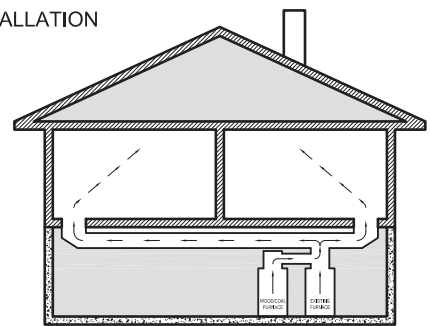
When installing a cold air return, the minimum size shall be a 16" x 20" or equivalent (320 sq. in.) in order to insure proper furnace performance. Failure to provide return air ducts of the specified size will void your warranty.

A filter should be installed in the cold air return. Furnace filters should be checked and cleaned/replaced regularly.

If return air is not provided, the warm air distributed into your home will be restricted and the efficiency of the furnace is decreased. Without a return air system, warm air will be drawn into your basement, unnecessarily heating unused areas of the home. In extreme cases, if your basement or utility room is fairly airtight, the blowers on the furnace could depressurize the room and pull toxic flue gases from the furnace, a gas water heater, or gas furnace. The fumes could then be distributed throughout the house.

INCORRECT INSTALLATION

NO RETURN AIR PROVIDED
NEGATIVE PRESSURE IN BASEMENT



COMBUSTION AIR

All fires need air (specifically oxygen) to burn. Furnaces, fireplaces, and wood burning furnaces need enough oxygen for complete combustion of their fuels. The incomplete combustion that takes place when a furnace is "air starved" causes carbon monoxide (CO) to be formed in quantities that can be dangerous inside a well sealed house. Having a source of combustion air from outside the home will prevent "air starvation" of the furnace. A simple positive air supply can be constructed using dryer vent and a modified termination.

FURNACE ASSEMBLY INSTRUCTIONS

Unpack your Furnace and insure that there is no shipping damage. If damage exists, please contact your dealer immediately.

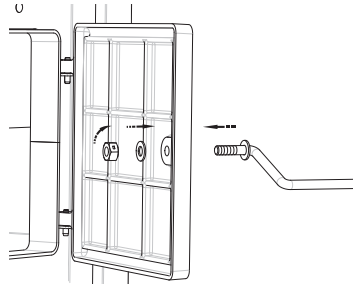
Your furnace will require some assembly before operation. All needed hardware and components for the following assemblies are included within the parts boxes inside the furnace and in the ash pan. Read and follow these instructions for proper furnace assembly.

DOOR HANDLES

Insert door handle into door. From rear side of door, place a 1/2" washer over the threaded part of the handle, then attach the lock nut. Tighten the nut, then back off 1/4 turn to allow free operation of the handle.

Follow these same directions for the ash door handle assembly.

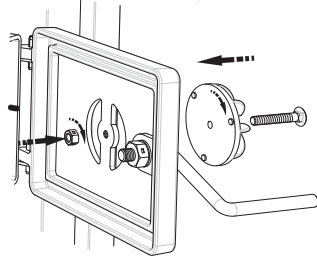
- (2) Door Handle
- (2) 1/2" Washer
- (2) 1/2" Lock Nut



ASH DOOR SPIN DRAFT

Screw the spin draft onto the 3/8" x 2-1/2" carriage bolt. Then screw the spin draft and bolt into the ash door allowing approximately 1/2" of the bolt to stick through the back side of the ash door. Secure the bolt in place with the 3/8"-16 lock nut.

- (1) Spin Draft
- (1) 3/8-16 Carriage Bolt
- (1) 3/8-16 Lock Nut

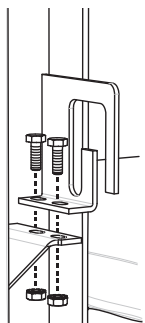


FUEL & ASH DOOR LATCH

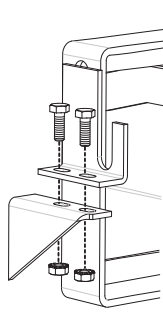
With two 1/4-20 x 3/4 hex bolts each, attach the door latches to the door latch mounting brackets on the left side of the door frames as illustrated. The slots in the brackets and latches are for door seal adjustment. Make the proper adjustments, then tighten the nuts. The door's gasket should be snug against the door frame on the furnace.

- (1) Feed Door Latch
- (1) Ash Door Latch
- (4) 1/4-20 x 3/4 Hex Bolt
- (4) 1/4-20 Kep Nut

Feed Door
Illustration



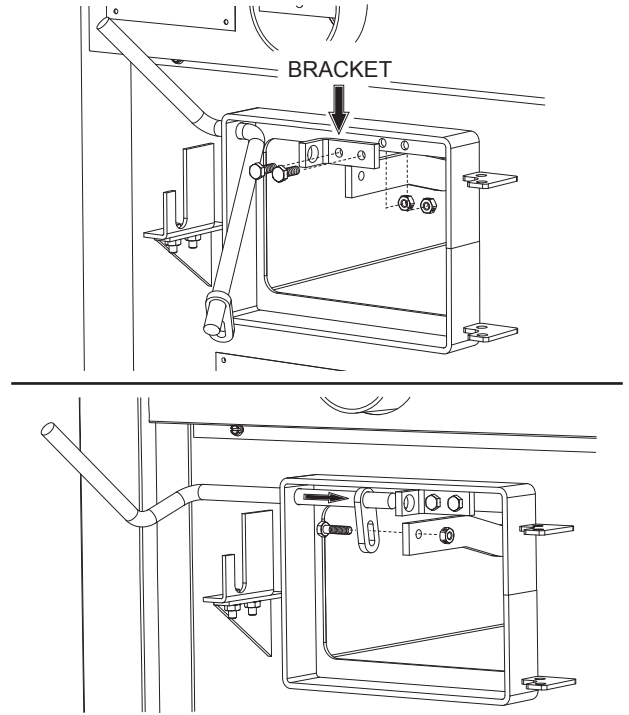
Ash Door
Illustration



SHAKER GRATE HANDLE

Insert the Shaker Rod into the hole on the ash door frame as shown. Then attach the Shaker Bracket to the front of the furnace using two 1/4-20 x 3/4" Hex Bolts and two 1/4-20 Lock Nuts. Next, insert the shaker Rod into the bracket and attach to the shaker grate bar using the 1/4-20 x 1" Hex Bolt and a 1/4-20 Lock Nut. The bolt and nut retaining the shaker bar and rod should be left loose to allow free movement of the grates.

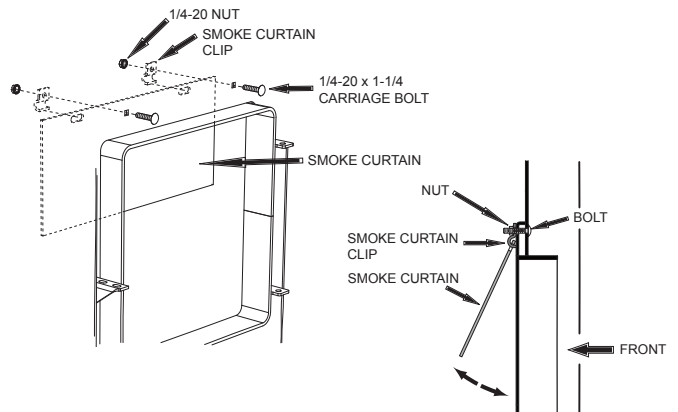
- (1) Shaker Rod
- (1) Shaker Bracket
- (1) 1/4-20 x 1" Hex Bolt
- (2) 1/4-20 x 3/4" Hex Bolt
- (3) 1/4-20 Lock Nut



SMOKE CURTAIN

Using two 1/4-20 x 1-1/4" Carriage bolts, the smoke curtain clips and two nuts, attach the smoke curtain in place above the Fuel Feed Door as shown below. After installation, the smoke curtain should swing freely back into the furnace.

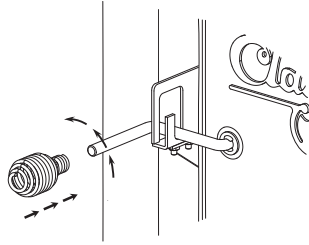
- (1) Smoke Curtain
- (2) Smoke Curtain Clips
- (2) 1/4-20 x 1-1/4 Carriage Bolt
- (2) 1/4-20 Kep Nut



SPRING HANDLES

Attach the four(4) spring handles to the Feed/Ash Doors, Baffle Rod, and Shaker Rod by twisting the springs counter-clockwise while applying pressure until you have screwed them approximately 3/4"-1" onto the rods.

(4) Spring Handles



DISTRIBUTION BLOWER & ACC.

1. Remove all contents and insure that all components are present for assembly. See the part list below
2. Begin by attaching the blowers to the unit. Insert a clip into each mounting hole in the furnace's cabinet back. Be sure to install the gasket between the blower and cabinet back. Insert the eight bolts provided and tighten.
3. Mount the Honeywell limit control to the cabinet back. The conduit assembly should already be attached to the limit control, otherwise, do so then make the correct wiring connections to the limit control. See wiring diagram.
4. Next, mount the junction box and insulation using two of the #10 x 1/2 screws provided. Make a small slice in the 5 x 5 insulation to allow the wires from the draft blower to protrude, then install it between the cabinet back and junction box, with the foil side to the cabinet back. Attach the conduit assembly from the limit control to the junction box as shown.
5. If not already installed, snap the rocker switch into the top of the junction box. Provide a 110 volt power supply and connect to the junction box with the cable clamp to the right side.
6. Attach the two longer conduit assemblies to the junction box and to each blower.
7. Before mounting the Fan Center, make all the wire connections per the wiring diagram, then attach the fan center to the junction box.

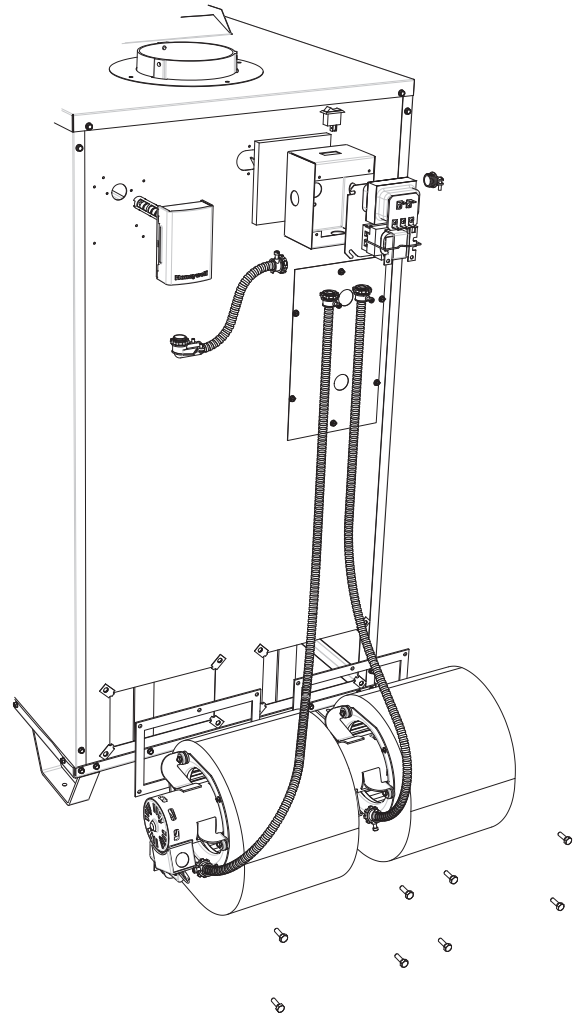
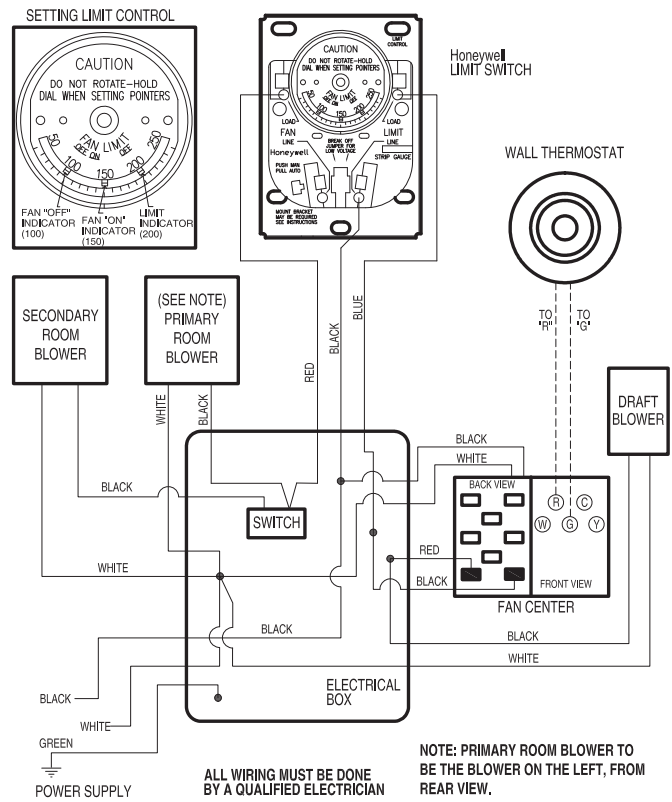
All electrical connections should be done by a qualified electrician.

NOTE: The extra brown wire on the fan center has no use. It should be capped off or removed.

The conduit may be cut shorter to provide a cleaner installation.

- (2) 800 CFM Blower
- (2) Gasket, Blower
- (8) Tinnerman Clip, 1/4-20
- (8) 1/4-20 x 3/4 Bolt
- (2) Conduit Assembly (5ft)
- (1) Honeywell Limit Control
- (1) Conduit Assembly (1ft)
- (1) Junction Box
- (1) Insulation (5" x 5")
- (1) Rocker Switch
- (1) Romex Cable Clamp
- (1) Fan Center Control
- (3) 73B Wire Nut
- (1) 74B Wire Nut
- (1) Female Term. (blue)
- (1) Female Term. (red)
- (8) #10 x 1/2 Screw

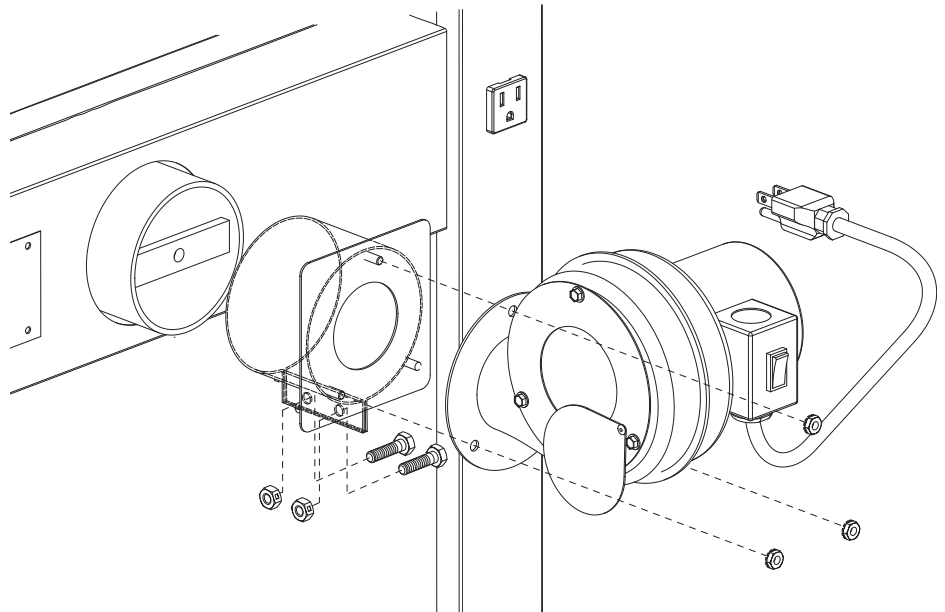
WIRING DIAGRAM



FORCED DRAFT BLOWER - 69189

Using two 1/4-20 x 1" bolts and nuts, attach the draft blower adapter to the draft tube on the front of the furnace. Then mount and secure the draft blower to the adapter with the three 10-24 Kep nuts. Plug the blower into the outlet on the front of the furnace.

- (1) Draft Blower
- (1) Draft Blower Adapter
- (2) 1/4-20 x 1 Hex Bolt
- (2) 1/4-20 Lock Nut
- (3) 10-24 Kep Nut



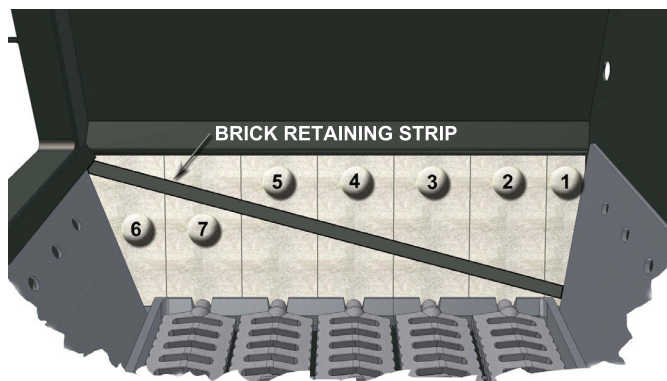
FIREBRICK AND BAFFLE REPLACEMENT

FIREBOX BRICK REPLACEMENT

This furnace comes from the factory with the firebrick installed. However, if brick replacement is necessary, follow these instructions. Before furnace operation, remove the brick retaining strip. This piece is used during shipping to reduce brick damage.

For model AAF747, there are 6 full brick and 1 half brick per side. Install the half brick first by putting the bottom of the brick in first and let it rest against the firebox side and fire grates. Then slide it to the rear. After that, install the #2, #3, #4, #5 & #6 brick, sliding the 6th brick forward to allow for the 7th brick. Repeat for opposite side.

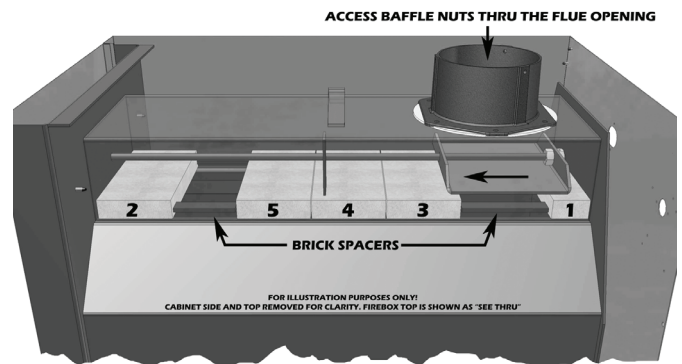
NOTE: Prior to operation, be sure to remove the brick retaining strips.



BAFFLE/BRICK REPLACEMENT

If baffle replacement is necessary, slide the baffle out until you can access the nuts thru the flue outlet. Once the nuts have been removed, slide the baffle off the rod and thru the opening in the firebrick. You may have to remove one of the firebrick to make baffle removal easier.

For model AAF747, there are 4 full brick and 1 half brick in the top of the furnace. Install the brick by inserting one end of the brick angled upward and then allowing the opposite end to rest on the firebox lip. Lay the brick between the spacer and firebox back. Slide the baffle to the rear and let it rest on that half brick. After installing brick #2 in the front, install #3 and slide it under the baffle. Finally install bricks #4 and #5.



TESTING AND OPERATING PROCEDURES

GENERAL FURNACE OPERATION

After installation of the furnace is complete, it is ready for operation. The Honeywell Limit Control, in conjunction with a wall thermostat, operates the distribution blowers and the draft blower on the front of the furnace. The limit control can be adjusted to your desired blower On/Off times. The factory settings are 100/150/200.

The wall thermostat setting operates the ON time of the draft blower. If the temperature is below the setting on the wall thermostat, the draft blower will come on. (Recommended setting at 5 to 10 degrees higher than other heating thermostats.)

The first two set points on the limit control operates the distribution blower(s). When the furnace plenum reaches the second set point on the limit control, the distribution blower(s) will come on. If the temperature falls to the first set point, the distribution blower(s) will shut-off. The rocker switch on the top of the junction box gives you the option to run one blower or two. If the switch is ON, both blowers will come on when the plenum reaches the set temperature.

When the furnace reaches the third set point on the limit control, the draft blower will shut-off. The draft blower will come back on if the temperature falls below the setting on the wall thermostat.

TESTING

1. Check the draft blower by turning the room thermostat up high enough so that the draft blower turns on. Then lower the thermostat setting until you hear it shut off.
2. Use a sheet of newspaper to test your draft by placing it inside the furnace and lighting it.

With completion of the tests above, you are ready to light the furnace. Follow the operating steps.

STARTING A WOOD FIRE Using Forced Air Draft

CAUTION: Never use gasoline, gasoline-type lantern fuel, kerosene, charcoal lighter fluid, or similar liquids to start or "freshen up" a fire in the furnace. Keep all such liquids well away from the furnace while it is in use.

1. Open spin draft cap on ash door.
2. Pull the slide baffle rod to the front position.
3. Open the fuel load door and light fire using kindling and several sheets of newspaper, then close the furnace door. The furnace door should remain closed for 5 to 10 minutes in order to establish the fire. If the fire has established, you are ready to load the furnace.

CAUTION: To prevent flame and smoke spillage, the slide baffle must be pulled out and the fuel door must be cracked for ten seconds before being fully opened.

Do not over fire your furnace! After you have become familiar with its operating, you should know how much wood to use.

4. Load the furnace, close the load door and push the slide Baffle rod to rear.
5. Close the spin draft cap on ash door, leaving it cracked about the diameter of a dime.

6. The forced air draft cycles on demand from the wall thermostat. Setting the thermostat four degrees higher than your existing thermostat is recommended. In operation, the power draft blower will run until the thermostat temperature setting is reached. The draft regulator on the forced air draft is preset at the factory and should require no adjustment.

CAUTION: To avoid excessive temperatures, do not operate with fuel door or ash pan open.

STARTING A COAL FIRE If you burn coal, a forced air draft is required Shut off FAD when fuel door is open

- ✓ Open smoke pipe damper all the way. Open all draft controls on your AAF747. Pull the slide baffle forward.
- ✓ Place about 10-15 lb. of coal in on the shaker grates. It should come up to about half of the first firebrick level.
- ✓ Place crumpled paper over the coal and crisscross a couple handfuls of dry kindling wood 3/4" in thickness on top of paper.
- ✓ Ignite the paper and close loading door. Wait about 30 minutes until coal fire is established before adding more coal. NOTE: NEVER load coal over the level of firebrick.
- ✓ Close by-pass damper and set all draft controls to your own needs. It may take 3 to 4 coal fires to determine how your local coal and the furnace reacts together. Adjusts drafts accordingly.
- ✓ Loading with a good bed of coals in the morning - Open by-pass damper.
 1. In normal shaking, only rock the grates a small amount to sift ash through. Do not agitate the fire bed too often. This practice will waste coal. If glowing coal is visible in the ash pan, you have shaken too much.
 2. Remove all ashes every day from ash pit.

CAUTION: Ashes should be placed in a metal container with a tight fitting lid. The closed container of ashes should be placed on a non-combustible floor or on the ground well away from all combustible materials pending final disposal. If the ashes are disposed of by burial in soil or otherwise locally dispersed, they should be retained in the closed container until all coals have thoroughly cooled.

3. With your poker, push hot burning embers to the rear of the unit and add green coal in front. NEVER load over height of firebrick. This can result in damage to your furnace and home.
4. Close by-pass damper.
- ✓ Too much draft air will cause clinking of coal and will waste heat up the chimney. Shut draft down to as low a point as you can and still heat your home.
 1. NOTE: Never stand in front of loading door when opening it. Stand to the side.
 2. NEVER completely cover the live fire with fresh coal. Always leave a generous area of glowing coal at the top of the fire and at the rear.
 3. Always keep the ash pit clean.

- ✓ If the fire goes out or does not hold overnight, look for:
 1. Poor draft.
 2. Incorrect damper settings.
 3. Improper firing methods for coal being used.
 4. More combustion air needed.
 5. Coal not sized to the furnace. We recommend 1" to 3" diameter pieces of coal.
 6. Ashes, if allowed to accumulate in the ash pit, will not allow the passage of required air for combustion. Keep ash pit clean.
 7. This furnace is not to be used with an automatic stoker unless so certified.
- ✓ There are ONLY two types of coal allowed for use in this furnace: Bituminous Coal (*soft coal*) and Anthracite Coal (*hard coal*). **NEVER USE** Cannel (or Channel) coal or Brown (Lignite) Coal.
- ✓ See our Bulletin RC454 at the rear of this manual for the best information available on burning coal.

OPERATING NOTES

- ✓ Do not over draft the furnace! It is designed to operate at .06 inches of water column and must be set with a draft gauge to maintain a steady draft. (Barometric Damper recommended.)
- ✓ Do not allow ashes to build up higher than 2" above grates.
- ✓ Never allow the ashes in the ash pan touch the grate section. **REMOVE ASHES FREQUENTLY!**
- ✓ Be extremely careful when removing furnace ash pan; it can get very hot.
- ✓ With new steel, there is a small amount of oil or dirt on the metal. You may smell an odor. This is normal during the first operation. You may want to assemble the furnace out of doors and build a small fire in it to "burn off" this dirt and oil before installing the unit.
- ✓ The furnace is designed to burn air dried wood and coal at a predetermined firing rate. Over firing could result in damage to the heat exchanger and cause dangerous operation. Over firing occurs when the ash door is left open during operation or a highly volatile fuel, i.e. large amounts of small kindling, is used. If any portion of the connector pipe glows orange or red, you are in an over-firing situation. Close all dampers.
- ✓ When tending the firebox always pull the baffle slide rod out prior to opening load door. Open load door slowly to avoid a "flash back". After closing load door, push the baffle slide rod to the rear.
- ✓ Equip your home with fire extinguishers and smoke detectors appropriately located.
- ✓ Inspect air filters regularly. The air filter in the filter box should be changed at least every 30 days.
- ✓ Oil motor on forced air draft every 90 days with a few drops of 30 wt. oil.
- ✓ The distribution blower motors may be one of two types. If the motor has sealed bearings, no oiling is required.
If the motor is equipped with fill holes, the motor should be oiled every 90 days with several drops of 30 wt. oil.
- ✓ Check the fit on the load door. It must fit tightly. If it does not, check for deterioration or wear of the ceramic rope seal. Replace defective seals.

- ✓ Inspect and clean your chimney and stove pipe regularly.
- ✓ In event of chimney fire, shut all draft controls and call your fire department immediately. Alert everyone in the house. If the fire is still burning vigorously, throw baking soda into firebox or discharge a fire extinguisher into the firebox. After chimney fire is over, completely inspect system for damage before further use.
- ✓ **NEVER** throw water on the fire or at the furnace, as rapidly expanding steam could result in a severe scalding.
- ✓ Slow fires: It is not recommended burning the furnace any more than necessary early in the fall and late spring, as you cannot keep the firebox hot enough (without overheating your home) to burn gases. Slow fires can cause excessive creosote build-up in smoke pipe, chimney and firebox.
- ✓ Wood should be placed directly onto the cast iron shaker grate of the furnace. Do not use additional grates and/or irons.
- ✓ In the event of a power failure, you may operate the AAF747 furnace provided the following instructions are followed:
 1. Any air filter should be removed.
 2. Observe the furnace operation closely and often till power is restored.
- ✓ Do not burn garbage, plastics, gasoline, drain oil or other flammable liquids. Plastics, when burned, form hydrofluoric and hydrochloric acids which will damage and destroy your furnace pipe and chimney. The burning of trash or oil can result in an extremely hot fire and is sometimes a cause of chimney fires. **NEVER BURN GREEN WOOD OR TIRES.**
- ✓ Do not store fuel or other combustible material within marked installation clearances.

NOTE: For further information on using your furnace safely, obtain a copy of the National Fire Protection Association publication "Using Coal and Wood Stoves Safely." NFPA NO. NW-8-1974. The address of the NFPA is 470 Atlantic Ave., Boston, Massachusetts 02210.

THIS IS A WOOD AND COAL BURNING FURNACE AND SHOULD NOT BE ALTERED IN ANY WAY! DOING SO WILL VOID YOUR WARRANTY!

TROUBLE SHOOTING AND PROBLEM SOLVING

1. Problem:

Smoke puffs from furnace

Solution:

- Check chimney draft. Check for blocked chimney or flue pipe. Use mirror to check chimney clearance.
- Check ash pit — if it is too full, empty.
- Make sure furnace room is not too airtight.
- Make sure all of chimney mortar connections are airtight.
- Check ash drawer. Make sure it's airtight.
- Check chimney for possible down-draft caused by taller surrounding trees or objects. Correct with proper chimney vent cap.
- Check the possibility of a cold chimney forcing cool gases backward. Remedied by properly insulating chimney with non-combustible liner — non-combustible insulation.
- Fuel may be too green.
- Make sure no other fuel burning devices are connected to the chimney impairing the draft.
- Check chimney draft, it should be .06 inches of water column. This service is provided by a certified chimney sweep.

2. Problem:

Inadequate heat being delivered to your home

Solution:

- Check home insulation — is it adequate?
- Check hook-up to furnace — is it installed correctly?
- Cool air inlet may be inadequate or furnace room too airtight.
- Your wood fuel may be too low grade. Hardwoods are recommended.
- Make sure your hot air duct (and other duct work) is airtight.
- If furnace room is warm but your home isn't, check back draft dampers.
- Is air to the blower available?

3. Problem:

Excess smoke or flames coming out door when refueling

Solution:

- Wait 15 seconds and open door SLOWLY — then refuel.
- Check length of flue pipe to chimney. Your unit should be within six (6) feet of your chimney.
- Make sure chimney cap is not too close to the top of the chimney.
- Check chimney draft — make sure chimney flue pipe is clean and chimney is of adequate height.
- Make sure you're not suffocating the fire with excessive amounts of unburned wood.
- Slide baffle should be pulled out prior to load door opening.

4. Problem:

Distribution blower vibrating

Solution:

- Tighten blower wheel to motor shaft.
- Check for bad fan bearings.

5. Problem:

Distribution blower continues to run or will not run

Solution:

- Check fan limit or heat sensor and cable.
- Check to see that blower is properly wired. (See Wiring and Assembly Instructions).
- Check fuse box or power source.
- Check power supply.

6. Problem:

Draft blower continues to run or will not run

Solution:

- Check wiring.
- Check thermostat or thermostat wire for short.
- Make sure temperature is calling for heat.

7. Problem:

Odor from first fire

Solution:

- The odor from new steel should disappear in a few hours.
- If the odor remains, call you dealer immediately. A bad weld can cause a fume leak.

8. Problem:

Excessive Creosote

Solution:

- Check the grade of wood you are burning.
- Make sure your unit is serviced by its own proper chimney.
- Check length of flue pipe and its connections.
- Make sure you are burning the smallest, hottest fire to adequately heat your home.
- Also see Solutions to Problem one.

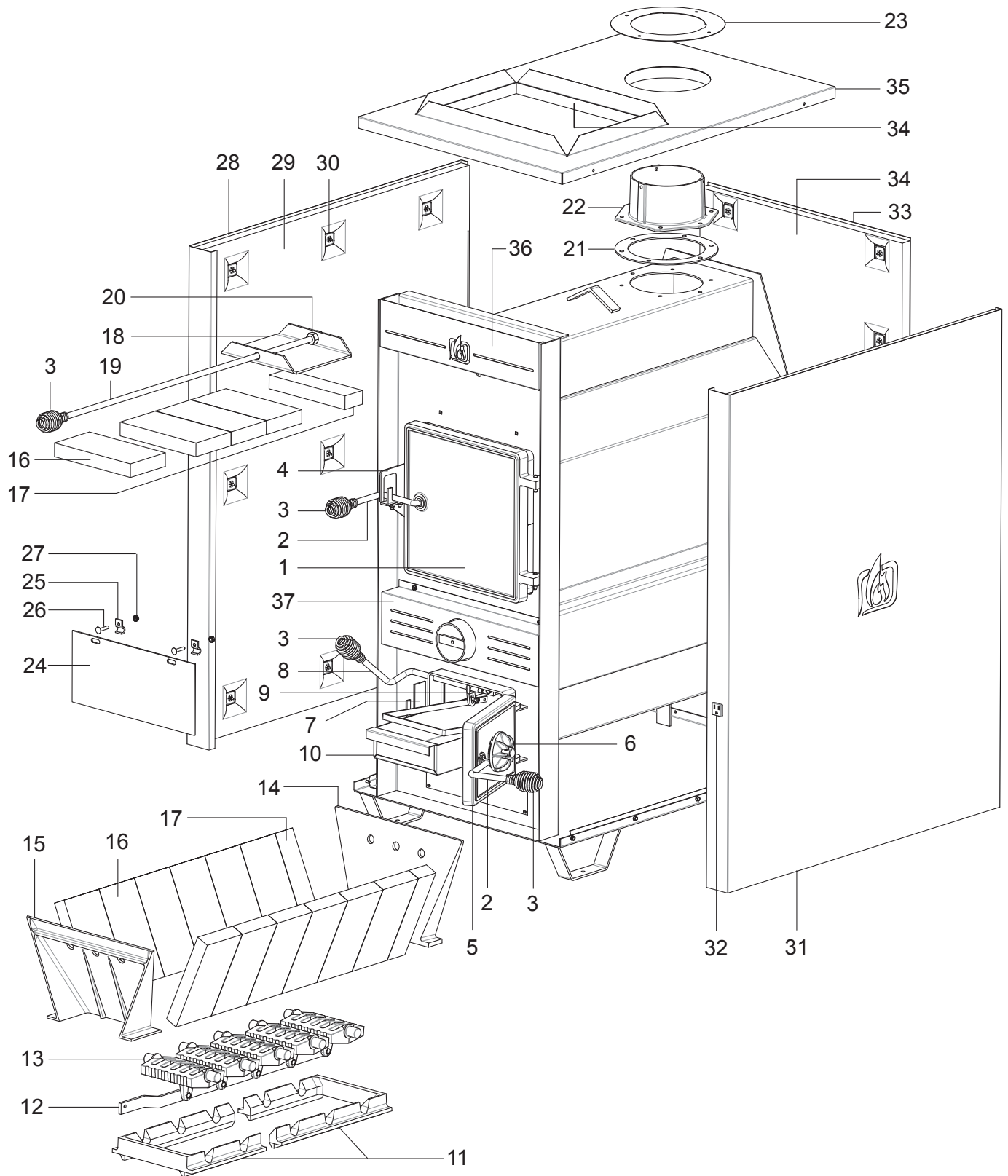
9. Problem:

If the fire goes out or does not hold over night

Solution:

- Poor Draft.
- Incorrect damper settings.
- Improper firing methods if burning coal.
- More combustion air needed.
- Coal not sized to the furnace. We recommend 1" to 3" diameter pieces of coal.
- Ashes, if allowed to accumulate in the ash pit, will not allow passage of the required air for combustion. Keep ash pit clean.
- This furnace is not to be used with an automatic stoker unless so certified.

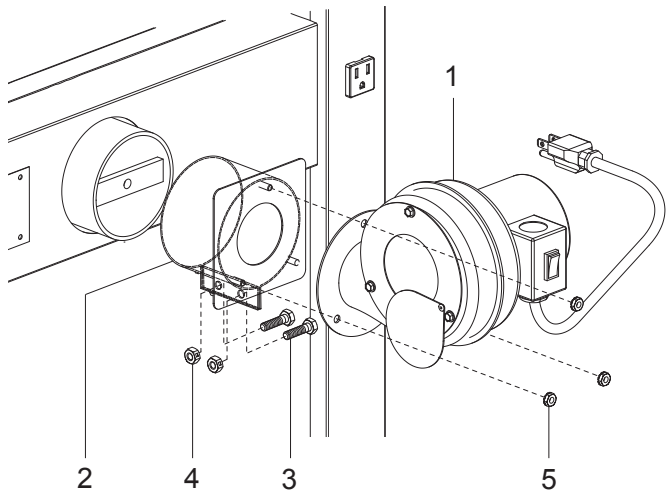
PARTS DIAGRAM



PARTS DIAGRAM AND LIST

Key	Description	Part #	Qty
1	Feed Door Assy. (w/Rope Gasket)	69679	1
2	Door Handle	24179	2
N/S	Lock Nut, 1/2-13	83444	2
N/S	Washer	83835	2
3	Spring Handle	891135	4
4	Feed Door Latch	23786	1
5	Ash Door Assy. (w/Rope Gasket)	68880	1
6	Draft Cap	23859	1
7	Ash Door Latch	23823	1
N/S	Hinge Pin, 5/16" x 1"	C21399	4
8	Shaker Handle	69005	1
9	Bracket, Shaker Handle	24204	1
10	Ash Pan	68882	1
11	Grate Retainer	40312	2
12	Shaker Bar	891341	1
13	Shaker Grate Section	40314	5
14	Back Liner	40313	1
15	Front Liner	40344	1
16	Full Firebrick (4-1/2 wide x 9 tall x 1-1/4 thick)	89066	16
17	Half Firebrick (2-1/4 wide x 9 tall x 1-1/4 thick)	891414	3
18	Slide Baffle	24231	1
19	Baffle Rod	86603	1
20	Lock Nut, 1/2-13	83444	2
21	Gasket, Flue Collar	88032	1
22	Flue Collar	40246	1
23	Flue Collar Ring	22761	1
24	Smoke Curtain	23800	1
25	Smoke Door Clip	23787	2
26	Carriage Bolt, 1/4-20 x 1-1/4 Long	83445	2
27	Keq Nut, 1/4-20	83250	2
28	Cabinet Side, Left	69676B	1
29	Insulation, Side	C98771	2
30	Insulation Retainer	83884	41
31	Cabinet Side, Right	69675B	1
32	Receptacle, Snap-In	80351	1
33	Cabinet Back	69573B	1
34	Insulation, Panel	C98871	2
35	Cabinet Top	69088B	1
36	Front Filler	69674B	1
37	Draft Cover	69677B	1
38	Room Blower - 800 CFM	80530	2

Key	Description	Part #	Qty
39	Blower Gasket	88127	2
40	Tinnerman Clip, 1/4-20	83340	8
41	Bolt, 1/4-20 x 3/4	83339	8
42	Conduit Assembly (5ft)	69578	2
43	Honeywell Limit Control	80145	1
44	Conduit Assembly (1ft)	68859	1
45	Junction Box	25625	1
46	Insulation (5" x 5")	25626	1
47	Rocker Switch	C42373	1
48	Romex Cable Clamp	80362	1
49	Fan Center Control	80130	1
50	Water Coil Access Cover	23819	1

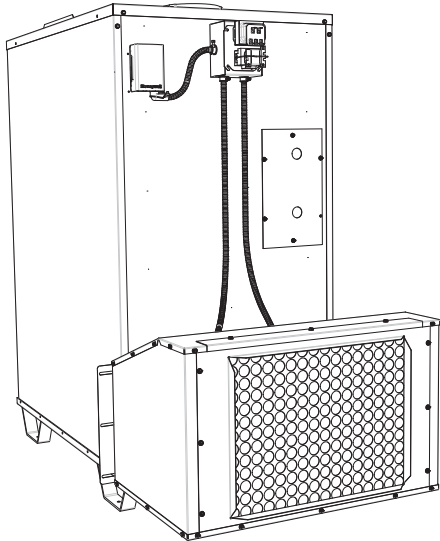


Key	Description	Part #	Qty
1	Draft Blower Assembly	69190	1
2	FAD Bracket	69192	1
3	Bolt, 1/4-20 x 1"	83379	2
4	Lock Nut, 1/4-20	83261	2
5	Keq Nut, 10-24	83244	3

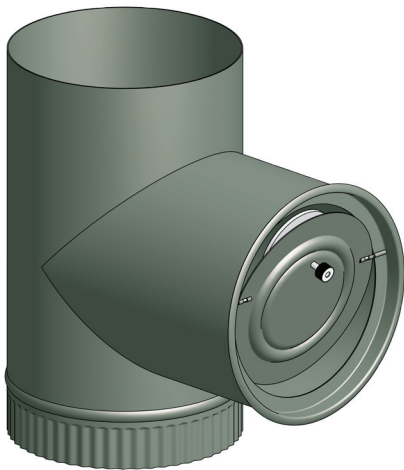
UFB908 COLD AIR RETURN / FILTER BOX - OPTIONAL KIT

As mentioned earlier in this manual, a cold air return and/or filter box should be incorporated into your furnace installation. A cold air return or filter box will increase the life of your blowers and offer filtered distribution air for your home. The model UFB908 is offered as an option and can be purchased from your local dealer.

The UFB908 utilizes a standard 16" x 20" filter that can be purchased from your local dealer or any hardware/duct work supply store. When installing a UFB908, follow the installation instructions supplied with the kit.



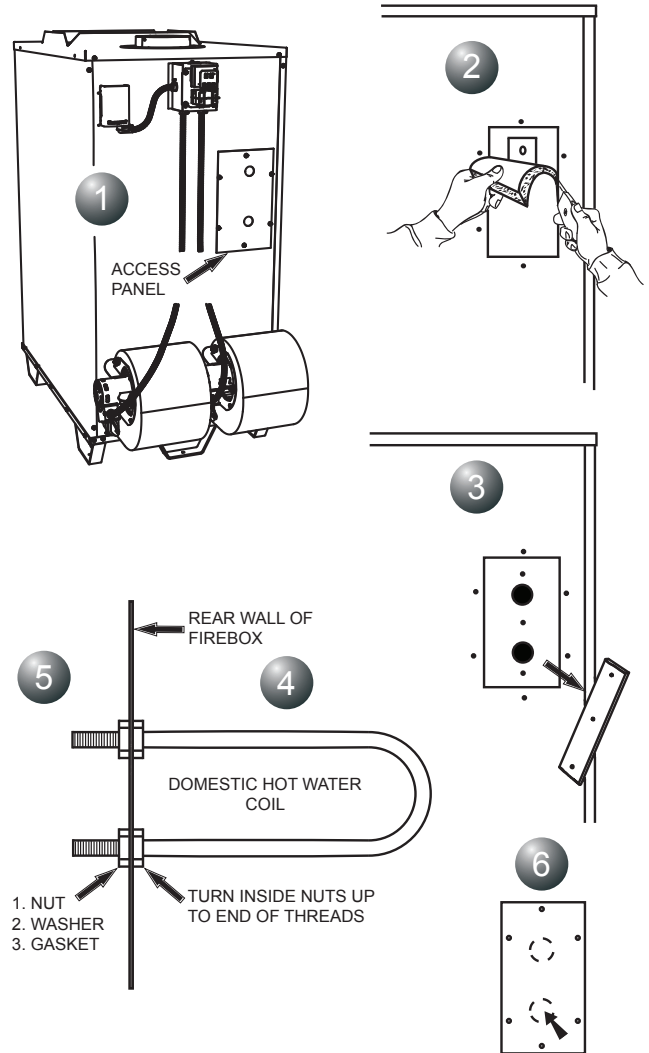
DR6 - 6" DRAFT REGULATOR KIT - OPTIONAL KIT



In the unlikely event that your furnace "overfires" (a condition evidenced by elbows, stove pipes, and connectors glowing red in appearance or otherwise discoloring), then your installation is subject to excessive draft created by either a chimney too tall or too great in diameter in conjunction with its height, or some other factor of an indeterminate cause. In this event, you should install a barometric draft regulator. Such installation will preclude any over-firing and/or any hazardous consequences of potential overfiring.

Barometric draft regulators are generally available where you purchased your stove.

DOMESTIC HOT WATER COIL KIT - OPTIONAL



This Furnace will accept the installation of a Domestic Hot Water Coil Kit. The kit is a 1124 Water Coil and it may be purchased from your local dealer.

1. Remove the access panel on the rear of the furnace enclosure.
2. With a utility knife, cut away a section of the insulation (if equipped) directly behind the access panel.
3. Remove the cover plate from the rear of the furnace firebox.
4. Place one nut on each end of the water coil and thread each nut up to the end of the threads on the coil.
5. Insert the coil through the holes from the inside of the firebox. Install a gasket, washer and nut onto each end of the water coil. Tighten the nuts down securely to insure an air tight seal.

The installation is now ready to be plumbed to your existing hot water system. Choose one of the three methods described in the Hot Water Coil instructions.

6. Remove knockouts from the access panel and re-attach to the furnace enclosure.

Have a qualified plumber connect your domestic hot water pipe to the coil with the appropriate fittings.

BULLETIN RC454

A GUIDE TO BURNING COAL IN YOUR FURNACE

Furnaces that are capable of burning coal usually will burn both Bituminous and Anthracite coal. Anthracite is perhaps the best coal fuel because of its long even burn time, high heat output, and cleanliness which make it a good choice for the home. However, keep in mind it is a much more difficult fuel to use, requires more care and patience, is not so widely available, and is usually much more expensive than Bituminous.

SIZE OF COAL:

Most sizes of Bituminous Coal will work in a coal furnace; for best results we recommend large "nut" coal to small "egg" coal (1-3/4" diameter to 4" diameter). When burning Anthracite, use "egg" or "broken" with sizes between 2-5/16" thru 4-3/8". Note that it is important to the long life of your stove to buy coal which has been sized and cleaned. Cleaning insures removal of rocks and other minerals. Never use coal smaller than 1" or larger than 5" in diameter. Small sized coal will smother the fire. Too large a size of coal will not burn well.

STOVE OPERATION:

All coal fires should be started with wood which will allow the fire to get hot enough to ignite the coal. The best ignition fires utilize dry pine or other resinous soft woods as kindling, with hard wood (oak, hickory, ash) added to increase the heat prior to addition of the coal.

Before starting the fire, open the stove pipe damper (if equipped), turn the thermostat to high, open the ash pit door and feed door, place newspaper and finely split kindling on the grate, light the paper, add larger hard wood after the kindling is burning brightly. **CAUTION:** Never use gasoline, lantern fuel, kerosene, charcoal lighter fluid, or other flammable liquids to start or freshen up a fire in any heater. Place the larger pieces of wood on the fire so that they are slightly separated and form a level for the addition of coal. It will take 10 to 20 minutes before this wood is thoroughly ignited. Adding coal too soon will cut the air supply and smother the fire.

BURNING BITUMINOUS:

Once your kindling and wood fire has produced a bed of well established coals, start adding coal in layers allowing each to ignite before adding more. Bituminous has a high volatile content and, as a result, should be fired with the "conical method" - with the highest portion of your fire bed in the center of the firebox. The first flames will be long and generally

orange or yellow and produce quite a bit of smoke. As the gases burn off the flames become shorter, change color and produce less smoke.

Once the fire is **WELL ESTABLISHED** add coal to the center of the firebox forming the cone. Burning in this fashion allows heat to drive off the volatile gases, and turbulence created increases the burn efficiency. There will have to be some experimenting with the individual setup as no two chimney's or installations are going to be the same. Just remember to allow enough air to enter the firebox and keep the stove pipe damper open so that volatiles are properly burned. Before refueling, take the time to break up the cone a little with a poker, especially if it has caked over or formed a crust. But, be careful not to mix the coal as this increases the chances of forming clinkers. When shaking the grate(s) be gentle. Just a few short movements - a couple of "cranks" - is better than a lot of agitation. The objective is to remove a small amount of the ashes without disturbing the fire. Stop when you see a glow in the ashes or the first red coals fall into the ash pan. Excessive shaking wastes fuel and can expose the grate(s) to very high temperatures which can cause warpage or burnout.

For overnight operation (long duration burn time) shake the fire and add coal, retaining the center cone. Once the volatiles are burned off, close the feed door and adjust the stove pipe damper, if equipped. Then adjust the thermostat to the desired heat level.

More **MAINTENANCE** will be needed with bituminous coal than with anthracite coal as more soot will collect on heating surfaces and in pipes, requiring more frequent cleaning.

ANTHRACITE:

Add a thin layer of coal (preferably smaller chunks) to the wood fire, being careful not to disturb it too much or cut off the draft. Then, add a second heavier layer after the coal is ignited and burning well. If necessary, add a third layer to bring the coal up to the top of the front liner (not above!). Be sure to close the ash door.

Before adding further fuel, be sure to leave a red spot of glowing coals in the center of the firebox to insure that the fire has not been smothered and to help ignite the gases given off by the new charge. A deep charge will give a more even heat and a longer fire, but it may take one to two hours before the whole bed is fully ignited.

BULLETIN RC454

A GUIDE TO BURNING COAL IN YOUR FURNACE

When the fire is well established and the room is becoming warm, partially close the dampers. Some experimenting will have to take place with each particular setting of all dampers and controls as the chimney provides the draft necessary to not only exhaust the smoke, but to pull combustion air into the heater as well - and no two chimneys perform the same. Under ideal draft conditions, one should be able to turn the secondary air supply below the feed door (some models) to a near closed position - but leave the ash pit damper at least partially open to prevent the fire from going out. Adjust the stove pipe damper to reduce the draft on the fire. With anthracite there will be short blue flames above the coal, except when the fire is started or a new charge is added. If, however, there is no flame then the fire needs more air from the bottom (unless it is near the end of its burn cycle and needs to be recharged).

Only when the coal is burned down to half its original depth it is time to add fresh coal. When doing so, open the stove pipe damper and turn the thermostat damper to high, which will allow the fire to burn off any accumulated gases. Open the feed door, and with a small rake, hoe, or hooked poker pull the glowing coals to the front of the firebox. Try not to disturb the fire too much. Next, add a fresh charge to the back being careful not to seal off the top. Close the feed door, but leave the spin damper (or thermostat) open for a few minutes until the volatile gases have burned off. It is not necessary to shake down the ashes each time you refuel the furnace. Experience will be your best teacher.

BANKING THE FIRE:

For extended operation, such as overnight, the fire will need to be banked. To do so heap coal up along the sides and back of the firebox so that the fire gradually burns it over a longer period of time. The intensity of the fire will also be reduced without letting it go out. Follow the same procedure as for refueling. If possible, avoid shaking, as a heavier layer of ash will help reduce the intensity of the fire during this time. After loading, let the fire establish itself for about 30 minutes. Then close your damper and automatic control to the point where the house does not become too cold. It is important that you begin banking early enough before retiring or leaving that you can make necessary adjustments after the fire is well established.

To revive a coal fire that is almost out, (1) open the ash door and stove pipe damper and close the spin damper under the door to get a good draft through the grate. (2) place a thin layer of dry coal over the entire top of the fire. **DO NOT POKE OR SHAKE THE FIRE AT THIS TIME!** (3) after the fresh coal has become well ignited shake the grate (just a little), refuel.

DO NOT burn coke, charcoal, high volatile bituminous coal, sub bituminous, lignite or cannel coal (sometimes called channel coal or candle coal).

NEVER burn wax or chemically impregnated sawdust logs - their intended use is for fireplaces only.

NEVER fill the stove or furnace above the firebrick or cast iron liner.

HOW TO ORDER REPAIR PARTS

This manual will help you obtain efficient, dependable service from the furnace, and enable you to order repair parts correctly.

Keep this manual in a safe place for future reference.

When placing an order or for warranty claims, please provide the following information found on the Certification Plate located below the ash door.

PART NUMBER

PART DESCRIPTION

MODEL NUMBER - SF747

SERIAL NUMBER _____

United States Stove Company

227 Industrial Park Road
P.O. Box 151
South Pittsburg, TN 37380
(423) 837-2100

Customer Service: (800)-750-2723 • Repair Parts: (888) 299-1440