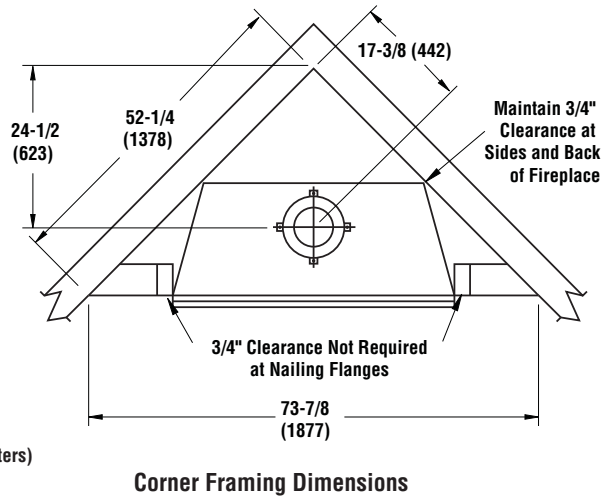
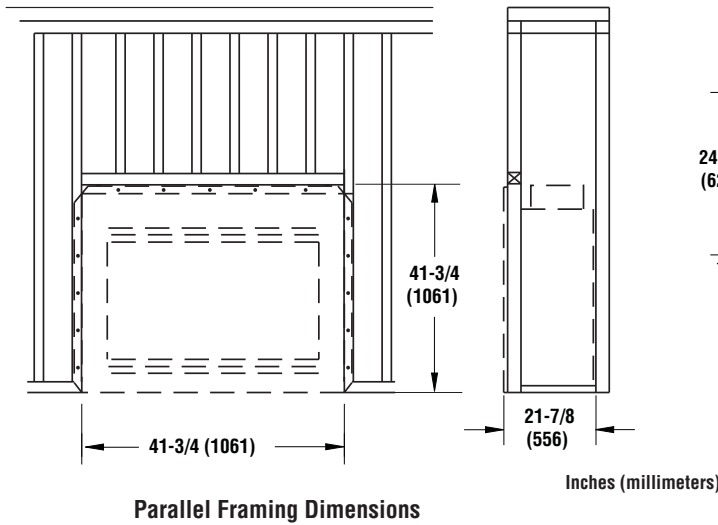


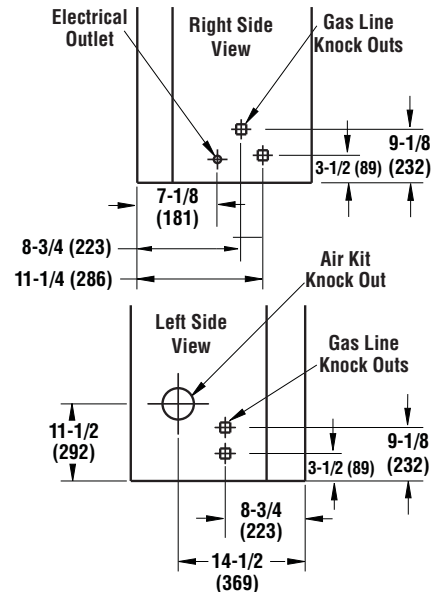
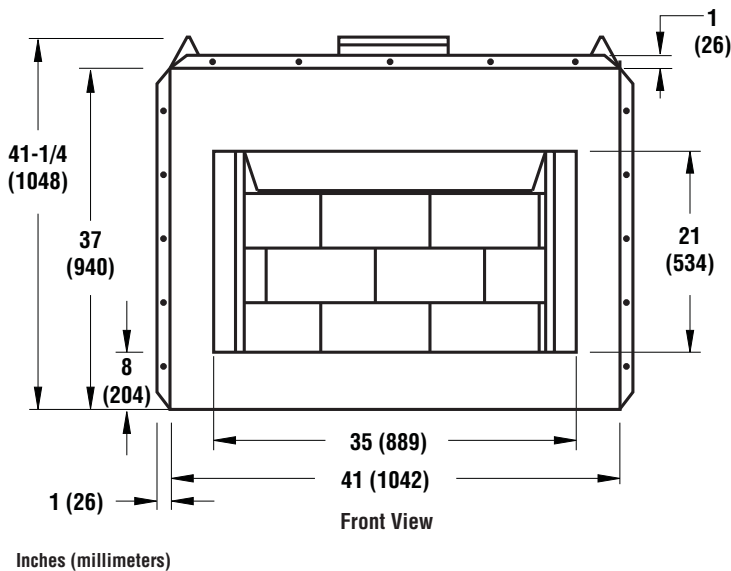
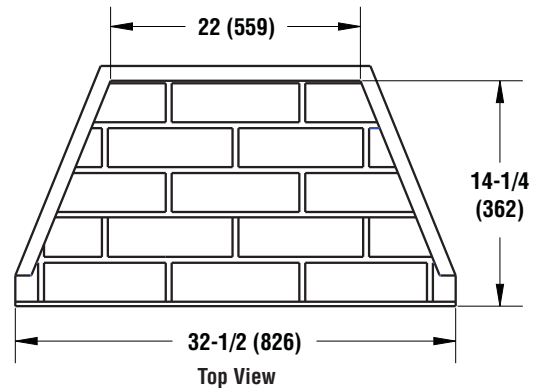
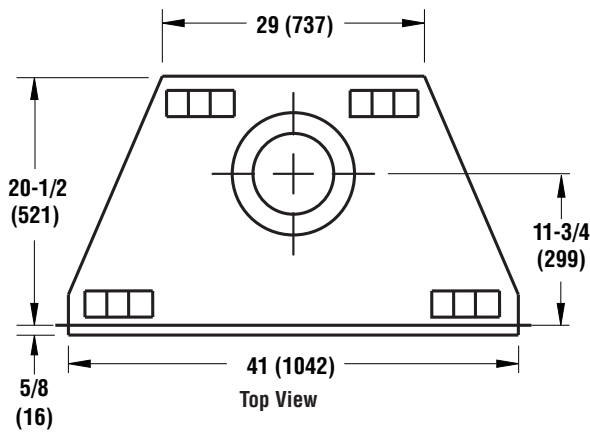
CRAFTSMAN™ 36 SERIES

CATALYTIC AND NON-CATALYTIC WOOD-BURNING FIREPLACES

Framing Dimensions



Fireplace Dimensions



NOTE: DIAGRAMS & ILLUSTRATIONS ARE NOT TO SCALE.

CRAFTSMAN™ 36 SERIES

Product Information

Product Reference Information					
Cat. No.	Model	Desc.	Interior	Shipping Weight	Shipping Volume
F0717	CraftsmanCat36P2	Radiant	WS	196 lb.	23.8 cu. ft.
F0718	CraftsmanCat36P2	Radiant	WS	196 lb.	23.8 cu. ft.
F0719	CraftsmanCat36P3	Radiant	WH	196 lb.	23.8 cu. ft.
F0720	CraftsmanCat36P2	Louver	WS	196 lb.	23.8 cu. ft.
F0721	CraftsmanCat36P2	Louver	WS	196 lb.	23.8 cu. ft.
F0722	CraftsmanCat36P3	Louver	WH	196 lb.	23.8 cu. ft.

Product Reference Information					
Cat. No.	Model	Desc.	Interior	Shipping Weight	Shipping Volume
F0705	Craftsman36P2	Radiant	WS	184 lb.	23.8 cu. ft.
F0706	Craftsman36P2	Radiant	WS	184 lb.	23.8 cu. ft.
F0707	Craftsman36P3	Radiant	WH	184 lb.	23.8 cu. ft.
F0708	Craftsman36P2	Louver	WS	184 lb.	23.8 cu. ft.
F0709	Craftsman36P2	Louver	WS	184 lb.	23.8 cu. ft.
F0710	Craftsman36P3	Louver	WH	184 lb.	23.8 cu. ft.

Listing Information



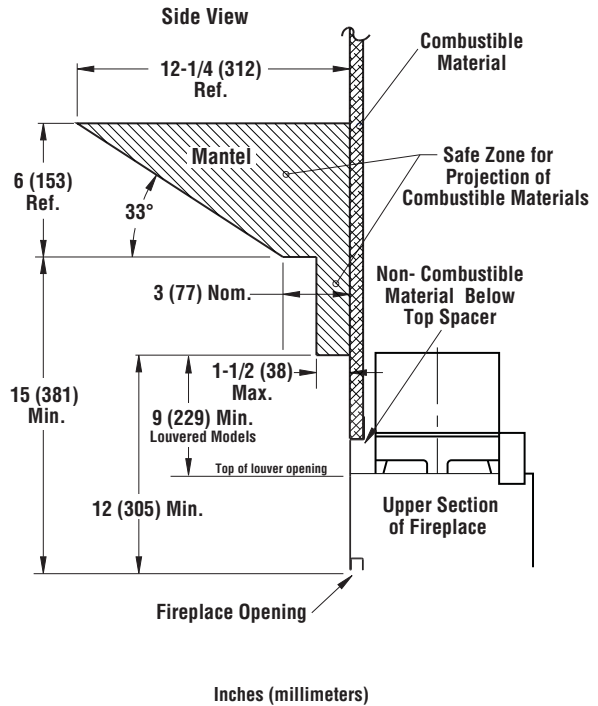
Report No. 10-078

This fireplace has been tested and approved by PFS Corporation under UL127/ULC-S610 standard as a Factory Built Appliance and may be used with gas logs approved to ANSI Z21.60, Z21.84 or Z21.11.2 standards.

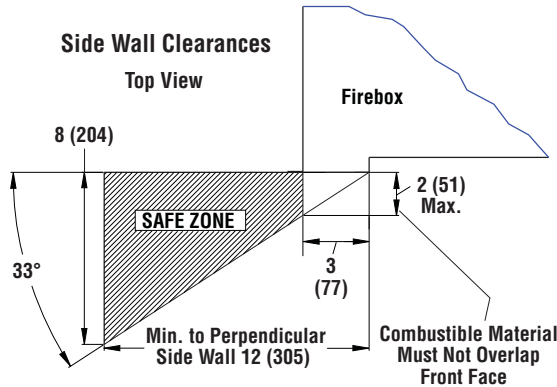
Clearances to Combustibles	
Description	Min. Clearance
Ceiling	40 (1016)
Back and sides of fireplace	3/4 (19)*
Floor	0 (0)**
Perpendicular wall to opening	12 (305)
Top spacers	0 (0)
Chimney outer pipe surface	1 (26)

* Not required at nailing flanges
 ** See step 2 of Framing in the Installation and Operation Manual

Mantel Clearances



Clearances



Venting

Venting
 Uses Standard (8DM) and Hi-Temp (8HT) Wood Burning Chimney.

