



HEARTH PRODUCTS

MODEL: AP130

SAVE THESE INSTRUCTIONS

THIS MANUAL WILL HELP YOU TO OBTAIN EFFICIENT, DEPENDABLE SERVICE FROM THE HEATER, AND ENABLE YOU TO ORDER REPAIR PARTS CORRECTLY. KEEP IN A SAFE PLACE FOR FUTURE REFERENCE.

- Please read this entire manual before installation and use of this appliance. Failure to follow these instructions could result in property damage, bodily injury, or even death.
- Contact your local building or fire officials about obtaining permits, restrictions and installation inspection requirements in your area.
- If your heater is not properly installed, a house fire may result. For everyone's safety, follow all Installation and Operating Directions. Never use makeshift compromises during the installation of this appliance. Contact your local building or fire officials about restrictions and installation inspection requirements in your area.

Certified to ASTM E1509-12 (2017), and Certified to ULC S627, 2000

This unit is not intended to be used as a primary source of heat.

U.S. Environmental Protection Agency

Certified to comply with 2020 particulate emissions standards.

ALL PICTURES SHOWN ARE FOR ILLUSTRATIVE PURPOSES ONLY. ACTUAL PRODUCT MAY VARY DUE TO PRODUCT ENHANCEMENT.

This manual is subject to change without notice.

CALIFORNIA PROPOSITION 65 WARNING:

This product can expose you to chemicals including carbon monoxide, which is known to the State of California to cause cancer, birth defects and/or other reproductive harm. For more information, go to www.P65warnings.ca.gov

**UNITED STATES
STOVE CO.**
ESTD 1869

United States Stove Company
227 Industrial Park Rd.,
South Pittsburg, TN 37380
PH: (800) 750-2723
www.usstove.com



Report #: F20-570

853146H-2204J

Safety Precautions

- **IMPORTANT:** Read this entire manual before installing and operating this product. Failure to do so may result in property damage, bodily injury, or even death. Proper installation of this stove is crucial for safe and efficient operation.
- Install vent at clearances specified by the vent manufacturer.
- If a chimney or creosote fire occurs, press the "OFF" button immediately. Do not unplug the unit.
- Do not connect the pellet vent to a vent serving any other appliance or stove.
- Do not install a flue damper in the exhaust venting system of this unit.
- Use of outside air is not required for this unit.
- Contact your local building officials to obtain a permit and information on any additional installation restrictions or inspection requirements in your area.
- Do not throw this manual away. This manual has important operating and maintenance instructions that you will need at a later time. Always follow the instructions in this manual.
- This appliance is designed for the use of pelletized fuel that meet or exceed the standard set by the Pellet Fuel Institute(PFI).
- Never use gasoline, gasoline-type lantern fuel, kerosene, charcoal lighter fluid, or similar liquids to start or 'freshen up' a fire in this stove. Keep all such liquids well away from the stove while it is in use.
- A working smoke detector must be installed in the same room as this product.
- Do not unplug the stove if you suspect a malfunction. Turn the ON/OFF SWITCH to "OFF" and contact your dealer.
- Your stove requires periodic maintenance and cleaning (see "Maintenance"). Failure to maintain your stove may lead to improper and/or unsafe operation.
- Disconnect the power cord before performing any maintenance! NOTE: Turning the ON/OFF Switch to "OFF" does not disconnect all power to the electrical components of the stove.
- Never try to repair or replace any part of the stove unless instructions for doing so are given in this manual. All other work should be done by a trained technician.
- Do not operate your stove with the viewing door open. The auger will not feed pellets under these circumstances and a safety concern may arise from sparks or fumes entering the room.
- Allow the stove to cool before performing any maintenance or cleaning. Ashes must be disposed in a metal container with a tight fitting lid. The closed container of ashes should be placed on a non-combustible surface or on the ground, well away from all combustible materials, pending final disposal.
- The exhaust system should be checked monthly during the burning season for any build-up of soot or creosote.
- Do not touch the hot surfaces of the stove. Educate all children on the dangers of a high-temperature stove. Young children should be supervised when they are in the same room as the stove.
- The hopper and stove top will be hot during operation; therefore, you should always use some type of hand protection when refueling your stove.
- A power surge protector is required. This unit must be plugged into a 110 - 120V, 60 Hz grounded electrical outlet. Do not use an adapter plug or sever the grounding plug. Do not route the electrical cord underneath, in front of, or over the heater. Do not route the cord in foot traffic areas or pinch the cord under furniture.
- The heater will not operate during a power outage. If a power outage does occur, check the heater for smoke spillage and open a window if any smoke spills into the room.
- The feed door must be closed and sealed during operation.
- Never block free airflow through the open vents of the unit.
- Soot and Flyash: Formation and Need for Removal – The products of combustion will contain small particles of flyash. The flyash will collect in the exhaust venting system and restrict the flow of the flue gases. Incomplete combustion, such as occurs during startup, shutdown, or incorrect operation of the room heater will lead to some soot formation which will collect in the exhaust venting system. The exhaust venting system should be inspected at least once every year to determine if cleaning is necessary.
- Keep foreign objects out of the hopper.
- The moving parts of this stove are propelled by high torque electric motors. Keep all body parts away from the auger while the stove is plugged into an electrical outlet. These moving parts may begin to move at any time while the stove is plugged in.
- Do not place clothing or other flammable items on or near this stove.
- When installed in a mobile home, the stove must be grounded directly to the steel chassis and bolted to the floor. **WARNING - THIS UNIT MUST NOT BE INSTALLED IN THE BEDROOM.** **CAUTION -** The structural integrity of the mobile home floor, wall, and ceiling/roof must be maintained.
- This appliance is not intended for commercial use.
- This appliance is a freestanding heater. It is not intended to be attached to any type of ducting. It is not a furnace.

Specifications

Heating Specifications	
Fuel Burn Rate*	1.5 - 5.0 lbs./hr. (0.7 - 2.3 kg/hr)
Burn Time (lowest setting)	80 hrs.
Hopper Capacity	130lbs. (59kg)

* Pellet size may effect the actual rate of fuel feed and burn times. Fuel feed rates may vary by as much as 20%. Use PFI listed fuel for best results.

Dimensions	
Height	34"(864mm)
Width	26"(660mm)
Depth	26"(686mm)
Weight	210 lbs. (95.5kg)

Electrical Specifications	
Electrical Rating	110-120 volts, 60 HZ, 3.0 Amps
Watts (operational)	175 (approx.)
Watts (igniter running)	425 (approx.)

FUEL CONSIDERATIONS

Your pellet stove is designed to burn premium hardwood pellets that comply with the Pellet Fuels Institute (PFI) standards (minimum of 40 lbs per cubic ft, 1/4" to 5/16" diameter, length no greater than 1.5", not less than 8,200 BTU/lb, moisture under 8% by weight, ash under 1% by weight, and salt under 300 parts per million). Pellets that are soft, contain excessive amounts of loose sawdust, have been, or are wet, will result in reduced performance. Store your pellets in a dry place. DO NOT store the fuel within the installation clearances of the unit or within the space required for refueling and ash removal. Doing so could result in a house fire.

SAFETY AND EPA COMPLIANCE

Your pellet stove has been safety tested and listed to ASTM E1509-12 (2017), ULC-S627-00. This manual describes the installation and operation of the Ashley, AP130 pellet stove. This heater meets the 2020 U.S. Environmental Protection Agency's crib wood emission limits for wood-heaters sold after May 15, 2020. Under specific EPA test conditions burning wood pellet fuel this heater has been shown to deliver heat at a rate of 8,932 to 25,701 Btu/hr. This heater achieved a particulate emissions rate of 1.3 g/hr when tested to method ASTM E 2779 / EPA Method 28R and 64% efficiency.

<p>WARNING: It is against federal regulations to operate this wood heater in a manner inconsistent with the operating instructions in the owner's manual.</p>
--

<p>Note: Register your product on line at www.usstove.com. Save your receipt with your records for any claims.</p>

Installation

INSTALLATION OPTIONS

Read this entire manual before you install and use your pellet stove. Failure to follow instructions may result in property damage, bodily injury, or even death, see specific installation details for clearances and other installation requirements.

Freestanding Unit - supported by pedestal/legs and placed on a non-combustible floor surface in compliance with clearance requirements for a freestanding stove installation.

Alcove Unit - supported by pedestal/legs and placed on a non-combustible floor surface in compliance with clearance requirements for an alcove installation.

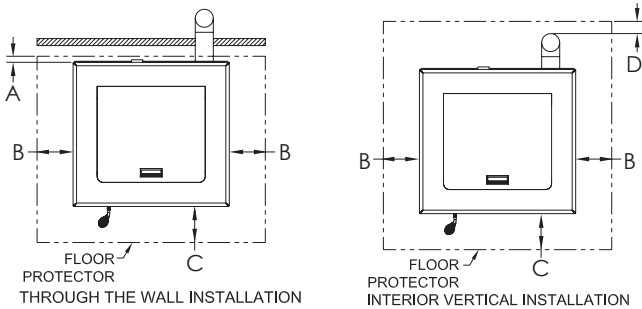
Your pellet stove may be installed to code in either a conventional or mobile home (US Only), see the "Special Mobile Home Requirements" section of this manual. It is recommended that only a authorized technician install your pellet stove, preferably an NFI certified specialist.

CAUTION: Do not connect to or use in conjunction with any air distribution ductwork.

IMPROPER INSTALLATION: The manufacturer will not be held responsible for damage caused by the malfunction of a stove due to improper venting or installation. Call (800) 750-2723 and/or consult a professional installer if you have any questions.

FLOOR PROTECTION

This unit must be installed on a non-combustible floor surface. If a floor pad is used, it should be certified or equal. The floor pad or non-combustible surface should be large enough to extend a minimum of 6" (153 mm) in front, 6" (153 mm) on each side, and 1" (26 mm) behind the stove. Floor protection must extend under and 2" (51 mm) to each side of the chimney tee for an interior vertical installation. A Floor Protector of 1" (26 mm) thick is recommended for this installation. Canadian installations require 18" (450 mm) in front of the unit.



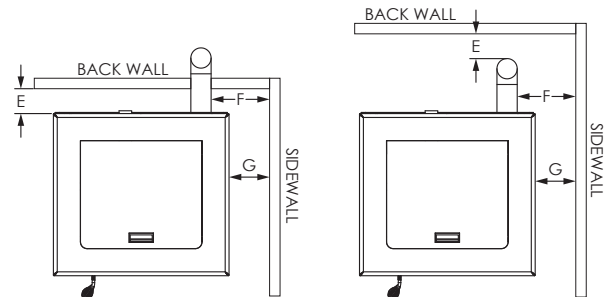
Dimensions		in	mm
A	Rear (through wall)	1	25
B	Side	6	152
C	Front	*6	*152
D	Rear (interior vertical)	2	50

* Canada installation requires 18" (450 mm) in front of the unit.

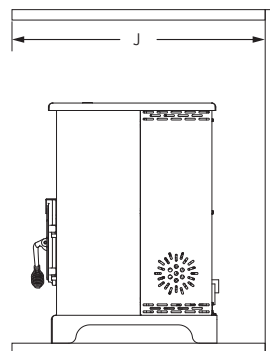
CLEARANCES

Your pellet stove has been tested and listed for installation in residential, mobile home, and alcove applications in accordance with the clearances given in this manual. NOTE: Distance "B" on the side of your pellet stove may need to be greater than the minimum required clearance for suitable access to the control panel.

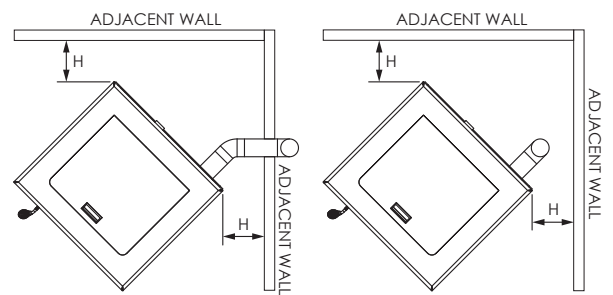
			in	mm
PARALLEL	E	Backwall to unit	2	50
	F	Sidewall to flue	13	330
	G	Sidewall to top edge of unit	8	203
CORNER	H	Adjacent wall to unit	8	203
ALCOVE	J	Alcove depth	36	914



Side Wall Clearances Parallel Installation



Alcove Clearances



Side Wall Clearances Corner Installation

VENTING REQUIREMENTS

- INSTALL VENT AT CLEARANCES SPECIFIED BY THE VENT MANUFACTURER.
- DO NOT CONNECT THE PELLET VENT TO A VENT SERVING ANY OTHER APPLIANCE OR STOVE.
- DO NOT INSTALL A FLUE DAMPER IN THE EXHAUST VENTING SYSTEM OF THIS UNIT.

The following installation guidelines must be followed to ensure conformity with both the safety listing of this stove and to local building codes. Do not use makeshift methods or compromise in the installation.

IMPORTANT! This unit is equipped with a negative draft system that pulls air through the burn pot and pushes the exhaust out of the dwelling. If this unit is connected to a flue system other than the way explained in this manual, it will not function properly.

MAXIMUM VENTING DISTANCE

Installation MUST include at least 3-feet of vertical pipe outside the home. This will create some natural draft to reduce the possibility of smoke or odor during appliance shutdown and keep exhaust from causing a nuisance or hazard by exposing people or shrubs to high temperatures. The maximum recommend vertical venting height is 12-feet for 3-inch type "PL" vent. Total length of horizontal vent must not exceed 4-feet. This could cause back pressure. Use no more than 180 degrees of elbows (two 90-degree elbows, or two 45-degree and one 90-degree elbow, etc.) to maintain adequate draft.

IMPORTANCE OF PROPER DRAFT

Draft is the force which moves air from the appliance up through the chimney. The amount of draft in your chimney depends on the length of the chimney, local geography, nearby obstructions and other factors. Too much draft may cause excessive temperatures in the appliance. Inadequate draft may cause backpuffing into the room and 'plugging' of the chimney. Inadequate draft will cause the appliance to leak smoke into the room through appliance and chimney connector joints. An uncontrollable burn or excessive temperature indicates excessive draft. Take into account the chimney's location to ensure it is not too close to neighbors or in a valley which may cause unhealthy or nuisance conditions.

PELLET VENT TYPE

A certified 3-inch or 4-inch type "PL" pellet vent exhaust system must be used for installation and attached to the pipe connector provided on the back of the stove (use a 3-inch to 4-inch adapter for 4-inch pipe). Connection at back of stove must be sealed using Hi-Temp RTV. Use 4-inch vent if the vent height is over 12-feet or if the installation is over 2,500 feet above sea level. We recommend the use of Simpson Dura-Vent® or Metal-Fab® pipe (if you use other pipe, consult your local building codes and/or building inspectors). Do not use Type-B Gas Vent pipe or galvanized pipe with this unit. The pellet vent pipe is designed to disassemble for cleaning and should be checked several times during the burning season. Pellet vent pipe is not furnished with the unit and must be purchased separately.

PELLET VENT INSTALLATION

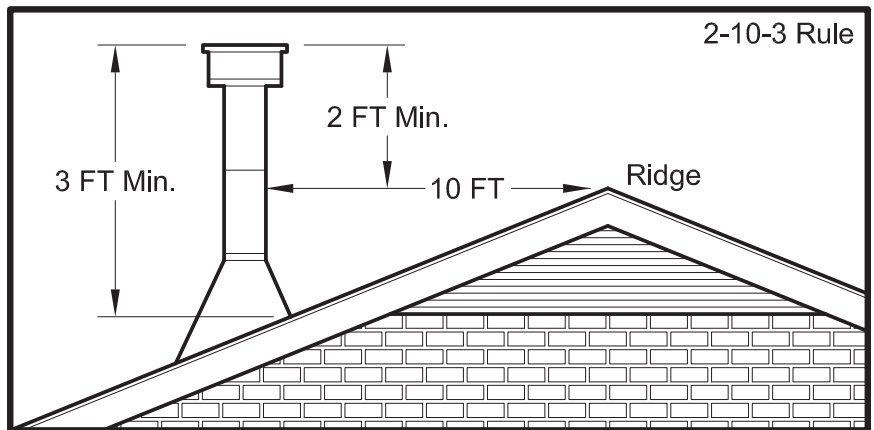
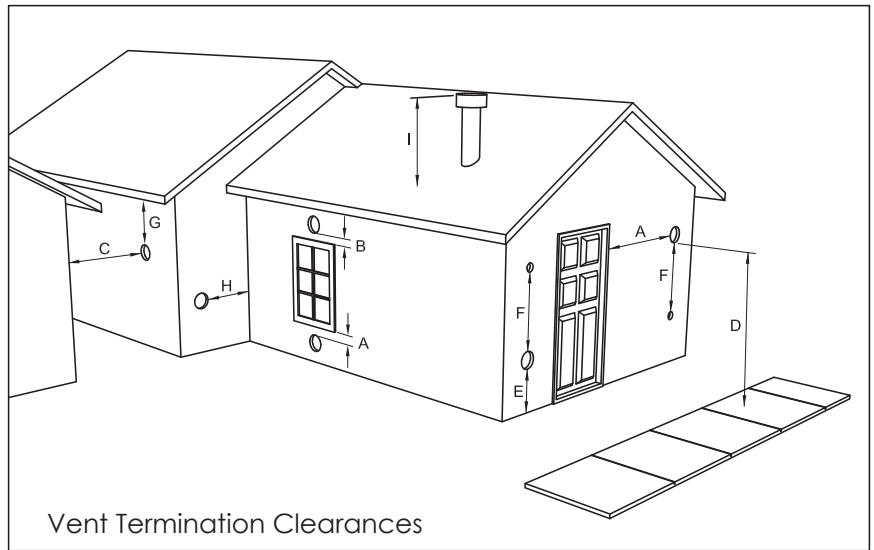
The installation must include a clean-out tee to enable collection of fly ash and to permit periodic cleaning of the exhaust system. 90-degree elbows accumulate fly ash and soot thereby reducing exhaust flow and performance of the stove. Each elbow or tee reduces draft potential by 30% to 50%. All joints in the vent system must be fastened by at least 3 screws, and all joints must be sealed with Hi-Temp RTV silicone sealant to be airtight. The area where the vent pipe penetrates to the exterior of the home must be sealed with silicone or other means to maintain the vapor barrier between the exterior and the interior of the home. Vent surfaces can get hot enough to cause burns if touched by children. Noncombustible shielding or guards may be required.

PELLET VENT TERMINATION

Do not terminate the vent in an enclosed or semi-enclosed area, such as; carport, garage, attic, crawl space, under a sun deck or porch, narrow walkway, or any other location that can build up a concentration of fumes. The termination must exhaust above the outside air inlet elevation. The termination must not be located where it will become plugged by snow or other materials. Do not terminate the venting into an existing steel or masonry chimney.

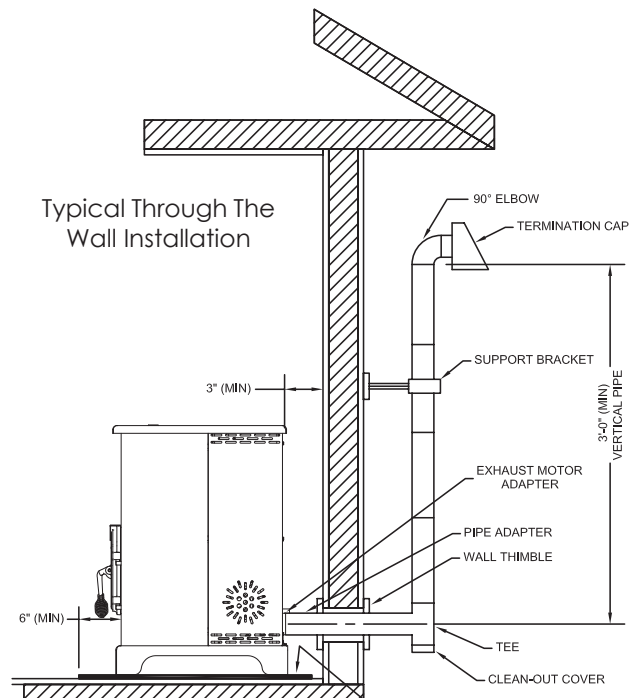
VENT TERMINATION CLEARANCES

- A. Minimum 4-foot (1.22m) clearance below or beside any door or window that opens.
- B. Minimum 1-foot (0.3m) clearance above any door or window that opens.
- C. Minimum 3-foot (0.91m) clearance from any adjacent building.
- D. Minimum 7-foot (2.13m) clearance from any grade when adjacent to public walkways.
- E. Minimum 2-foot (0.61m) clearance above any grass, plants, or other combustible materials.
- F. Minimum 3-foot (0.91m) clearance from an forced air intake of any appliance.
- G. Minimum 2-foot (0.61m) clearance below eaves or overhang.
- H. Minimum 1-foot (0.3m) clearance horizontally from combustible wall.
- I. Must be a minimum of 3 foot (0.91m) above the roof and 2 foot (0.61m) above the highest point or the roof within 10 feet (3.05m).



THROUGH THE WALL INSTALLATION (RECOMMENDED INSTALLATION)

Canadian installations must conform to CAN/CSA-B365. To vent the unit through the wall, connect the pipe adapter to the exhaust motor adapter. If the exhaust adapter is at least 18" (457mm) above ground level, a straight section of pellet vent pipe can be used through the wall. Your heater dealer should be able to provide you with a kit that will handle most of this installation, which will include a wall thimble that will allow the proper clearance through a combustible wall. Once outside the structure, a 3" (76mm) clearance should be maintained from the outside wall and a clean out tee should be placed on the pipe with a 90-degree turn away from the house. At this point, a 3ft (0.91m) (minimum) section of pipe should be added with a horizontal cap, which would complete the installation. A support bracket should be placed just below the termination cap or one every 4ft (1.22m) to make the system more stable. If you live in an area that has heavy snowfall, it is recommended that the installation be taller than 3ft (0.91m) to get above the snowdrift line. This same installation can be used if your heater is below ground level by simply adding the clean-out section and vertical pipe inside until ground level is reached. With this installation you have to be aware of the snowdrift line, dead grass, and leaves. We recommend a 3ft (0.91m) minimum vertical rise on the inside or outside of the house. The "through the wall" installation is the least expensive and simplest installation. Never terminate the end vent under a deck, in an alcove, under a window, or between two windows. We recommend Simpson Dura-Vent® or Metal-Fab® kits.



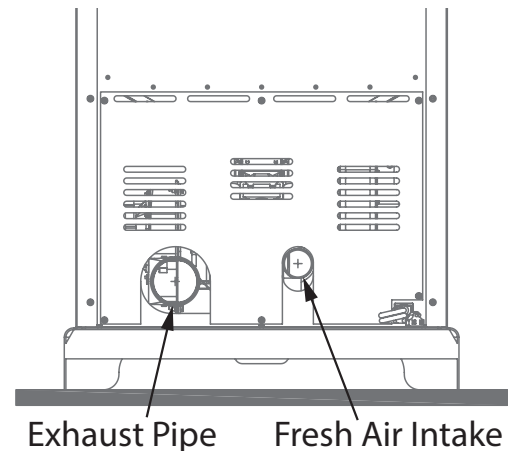
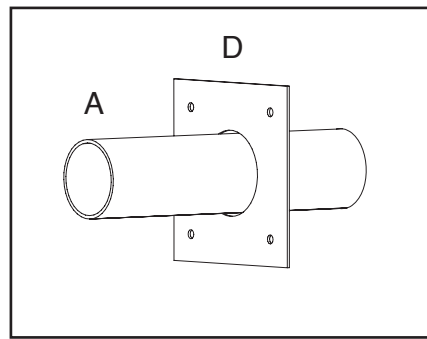
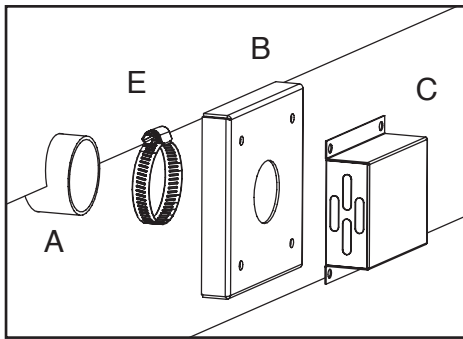
THROUGH THE ROOF/CEILING INSTALLATION

When venting the heater through the ceiling, the pipe is connected the same as through the wall, except the clean-out tee is always on the inside of the house, and a 3"(76mm) adapter is added before the clean-out tee. You must use the proper ceiling support flanges and roof flashing (supplied by the pipe manufacturer; follow the pipe manufacturer's directions). It is important to note that if your vertical run of pipe is more than 15ft (4.57m), the pellet vent pipe size should be increased to 4"(102mm) in diameter. Do not exceed more than 4ft (1.22m) of pipe on a horizontal run and use as few elbows as possible. If an offset is required, it is better to install 45-degree elbows rather than 90-degree elbows.

69FAK OUTSIDE AIR SUPPLY (OPTIONAL, UNLESS INSTALLING IN A MOBILE HOME)

Depending on your location and home construction, outside air may be necessary for optimal performance.

1. With the stove in the operating position, mark and drill a hole to accommodate the 2" flexible hose.
2. Insert the hose through the wall and attach the Outside Cover with one of the 2" hose clamps provided.
3. Then attach the Outside Cover to the outside wall.
4. Next, attach the Rodent Cover to the Outside Cover using four (4) of the #10 x 3/4 screws supplied.
5. On the inside of the home, slide the Inside Plate over the tube then attach to the wall with the four drywall anchors and screws provided.
6. On the Air Inlet Tube coming out of the firebox, there is a cap that must have four (4), 5/32" (0.156) diameter holes drilled in it for the fresh air installation. The cap is on the front side of the tube just under the burnpot. Remove burnpot. Using a long screwdriver or equivalent, knock the cap off by inserting it from the back of the stove and pecking with a hammer. Drill holes, then replace cap and burnpot.
7. Attach one of the 2" flex hoses to the backside of the firebox, then to air inlet pipe at the back of the stove as shown.
8. Stretch the 2" flex hose to the air inlet on the back of the stove. Attach using the other 2" hose clamp. The hose will extend up to 4 feet in length.



SPECIAL MOBILE HOME REQUIREMENTS

- **WARNING!** - Do not install in a sleeping room
- **CAUTION!** - The structural integrity of the mobile home floor, wall, and ceiling/roof must be maintained.
- A working smoke detector must be installed in the same room as this product.
- It must be installed at least 15 feet (4,57 m) from the appliance in order to prevent undue triggering of the detector when reloading.

In addition to the previously detailed installation requirements, mobile home installations must meet the following requirements:

- The heater must be permanently bolted to the floor through provided holes in the base.
- The heater must be electrically grounded to the steel chassis of the mobile home with 8 GA copper wire using a serrated or star washer to penetrate paint or protective coating to ensure grounding.
- Vent must be 3 or 4-inch "PL" Vent and must extend a minimum of 36" (914mm) above the roof line of the mobile home and must be installed using a certified ceiling fire stop and rain cap.
- When moving your mobile home, all exterior venting must be removed while the mobile home is being relocated. After relocation, all venting must be reinstalled and securely fastened.
- Outside Air is mandatory for mobile home installation. See your dealer for purchasing.
- Check with your local building officials as other codes may apply.

Understanding Your Stove

HOW YOUR STOVE WORKS

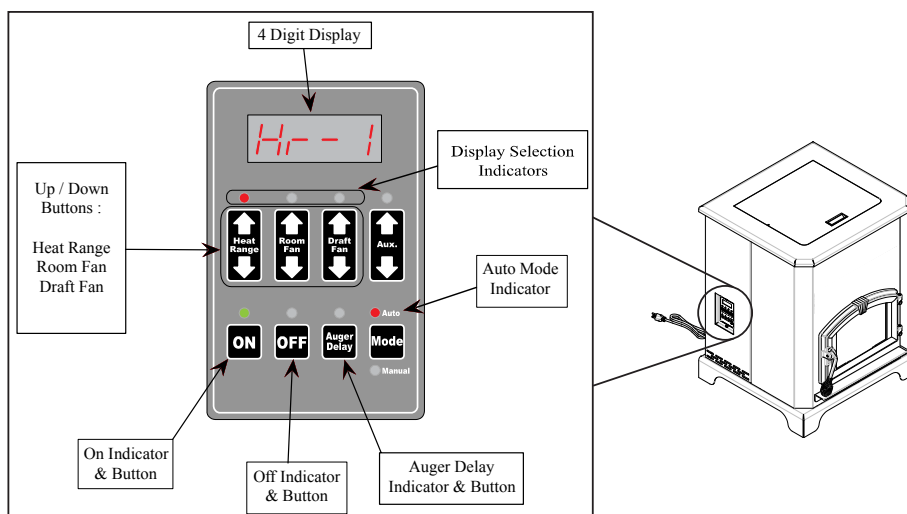
Your pellet stove utilizes a inclined auger fuel feed system that is operated by a microprocessor controlled digital circuit board. The digital circuit board allows the inclined auger fuel feed system to run in a timer-based, non-continuous cycle; this cycling allows the auger to run for a predetermined period of seconds. The auger pushes pellets up a chute located at the front/ bottom of the hopper which in turn falls through another chute into the burnpot. Your stove is equipped with an automatic ignition system that should ignite the fuel within 5-10 minutes from pressing the ON button.

As pellets enter the burn pot and ignite, outside air is drawn across the fuel and heated during the combustion process which is then pulled through the heat exchanger by the exhaust motor or draft fan. As the stove heats up, room air is circulated around the heat exchanger by means of a room air blower, distributing warm air into the room.

The amount of heat produced by the stove is proportional to the rate of the fuel that is burned, and this rate is controlled by the "HEAT RANGE" setting. In order to maintain combustion of the fuel at a desired rate, the air provided to the burn chamber by the exhaust or draft fan must be maintained precisely. Too little air will result in a flame that is non-energetic or lazy. If the fuel continues to flow with too little air for long enough, the burn pot will fill with too much fuel and the fire will smother out. Too much air will result in a flame that is overactive or aggressive. The flame in this situation is typically very blue at the bottom and resembles a blow torch. If this situation continues, the fuel in the burn pot will be consumed and the fire will go out.

Matching the amount of air required for proper combustion to the fuel rate is the primary objective in effectively burning pellets of various brands and qualities in your stove. The air to fuel ratio can be adjusted to allow almost any fuel quality to burn effectively by following the procedures detailed in the remainder of this manual.

Because a forced draft pressure is required for the combustion process inside your stove, it is extremely important that the exhaust system be properly installed and maintained. And, that when operating your stove, you make sure that the viewing door is properly sealed.



PANEL/REMOTE CONTROLS

The operation of this appliance can be controlled from the panel located on the side of the stove and/or by the remote control. The control functions are as follows:

A. ON/OFF SWITCH ("POWER" BUTTON)

- When pushed, the stove will automatically ignite. No other fire starter is necessary. The igniter will stay on for at least 10 and up to 12 minutes, depending on when Proof of Fire is reached. The fire should start in approximately 5 minutes.
- After pushing "POWER", the auger motor is on for 3.5 minutes, off for 1 minute. During the remainder of the start-up period, the auger motor operates on the heat range "1" setting.
- During start up the heat level advance (Up and Down keys) will change the heat range indicator level accordingly, but there is no change in the stoves operating conditions until start-up is completed.
- During start-up ignition must occur within 12 minutes or the stove will error out and show E3.
- During the start-up phase, the Mode key does not function.

B. HEAT RANGE ARROW BUTTONS

- These buttons when pushed will set the pellet feed rate, hence the heat output or heat range of your stove. When using the hand-held remote this function can be performed with the "Up/Down" buttons.
- The levels of heat output will incrementally change on the bar graph starting from heat range "1" to heat range "5".

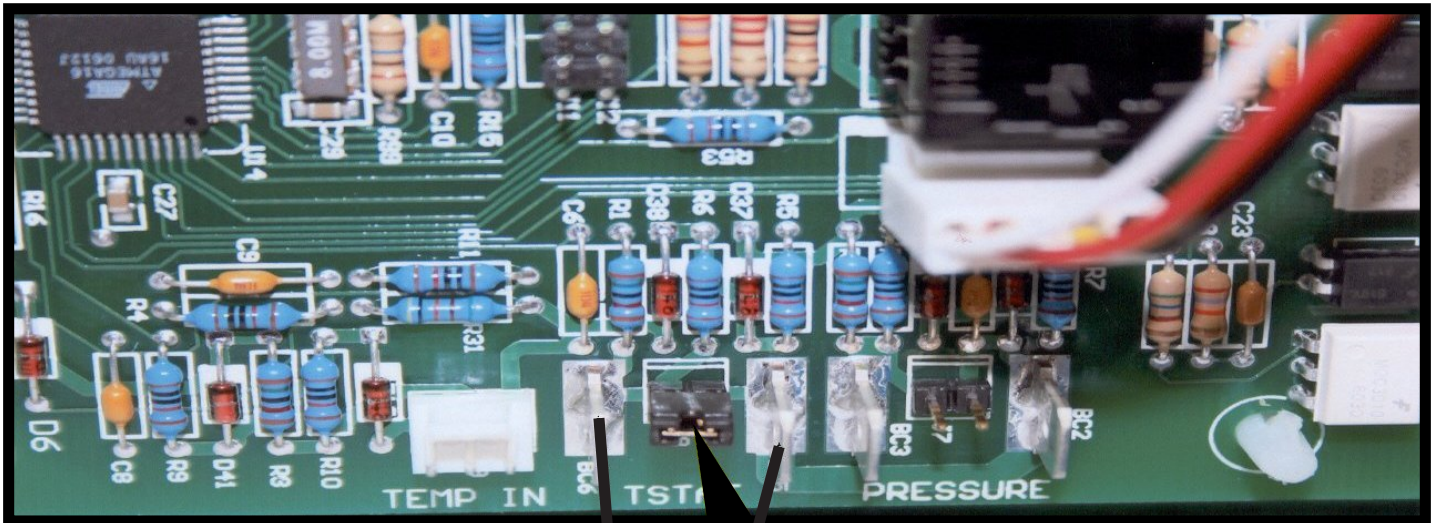


Control Panel Overview

Turning the heater "On/Off", as well as adjustments for the fuel feed rate and room fan speed are performed by pressing the appropriate button(s) on the control panel which is located on the lower left-hand side of your heater.

ON/OFF	Pressing the "On" button on the control panel will begin the start-up sequence for the heater. Fuel will begin to feed through the auger feed system then ignite after approximately 5 minutes. Pressing the "Off" button on the control panel will cause the heater to enter its shut-down sequence. The fuel feed system will stop pulling fuel from the hopper and, once the fire goes out and the heater cools down, the fans will stop running.
HEAT RANGE	Pressing the "Heat Range" arrows, up or down, will adjust the amount of fuel being delivered to the burnpot.
DRAFT FAN	The draft fan (exhaust) will come on as soon as the "On" button is pressed. The fan will automatically adjust its speed in accordance to the heat range setting. However, this speed can be manually operated by pressing the "Draft Fan" arrows up or down. "Draft Fan" when pressed, the display will show "Df-A", which is automatic. Press the arrows again to adjust fan speed. When the heater is in the manual mode, the optional thermostat will not properly control the unit. When adjusting the draft fan setting, try only 1 setting above or below the heat setting. It is better to leave the stove in the automatic mode.
ROOM FAN	The room fan will come on once the unit has reached operating temperature. By pressing the "Room Fan" buttons, the display will show "Rf-A" which is automatic or "Rf-1" through "Rf-9" for manual settings. In auto mode, the room fan's speed will automatically be adjusted in accordance with the heat range setting. By pressing the "Room Fan" up arrow, you can adjust the fan speed setting up to "Rf-9". The room fan must operate at a level greater than or equal to the heat range setting.
AUX - USED TO RETURN THE STOVE TO THE FACTORY SETTINGS	To return the stove to it's original factory settings, press and hold the "Aux Up" and "Aux Down" buttons simultaneously for 3 seconds.
AUGER DELAY	The "Auger Delay" button can be used to pause rotation of the Auger for approximately 1 minute. This can be cancelled by pressing the "On" button. The "Auger Delay" is normally used only during the start up cycle to slow the fuel delivery down during the initial ignition.
MODE - The "Mode" button is not used on this model.	During normal operation, the unit is constantly monitored for problems. In the event of an error condition, the unit will stop and an error will be displayed. See the list of error codes found at the end of this manual.

Thermostat Hook-Up

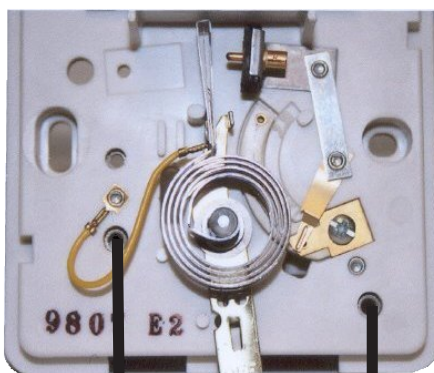
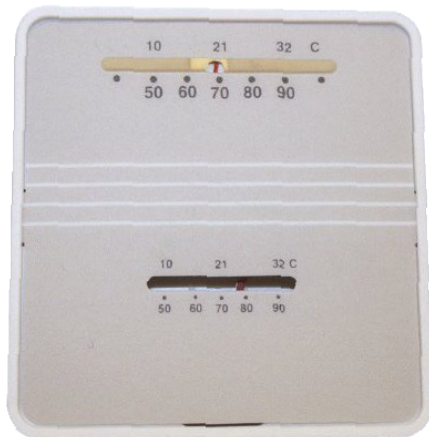


The Jumper Must Be Removed First

1. Put female terminals on the lead wires to your low voltage thermostat.
2. Plug one thermostat lead onto each of the terminal posts on the circuit board.

IMPORTANT NOTE: The purpose of the T'Stat is to make the stove cycle between the preselected desired heat range setting ("1" to "5") and the minimum heat range setting of "1". **The T'Stat will not turn the stove on and off.**

When the desired room temperature has been reached and the T'Stat no longer requires heat it will reduce to a minimum heat range setting of "1". **The unit will not turn completely off.** Once the room temperature has dropped and the T'Stat requires more heat, the unit will begin to feed pellets at the preselected heat setting ranging from "1" to "5".



Use 18 guage, 2 conductor wire

Operation

UNIT PREPARATION

After carefully unpacking and reading the instructions for installing your stove, you will need to perform the following steps:

- Attach the included spring handle to the door handle by screwing it on in a respective location.
- Attach the electrical cord to the back of the stove first; then plug it into a 110-volt outlet (an outlet surge protector is highly recommended).

PERFORMING AN INITIAL TEST

This test is used at the factory where the stoves are assembled to test the functionality of the control and the stove before the unit is shipped. To perform this test, press and hold the OFF and AUGER DELAY buttons simultaneously for 3 seconds. To advance through the test, press any key unless otherwise noted in the test step.

1. Exhaust Fan Output Test – The display will show “drft”. The exhaust fan is turned on full then reduced to a level just above the typical minimum pressure switch setting. The ON LED indicates whether the pressure sensor is detected. If the pressure switch is not detected, the fan ramps to full on for two seconds then returns to the previously established level if the pressure switch closes. If the Draft Fan Fuse is not blown and the fuse detection circuit is functioning, the Draft Fan LED will be lit and the other three top row LEDs will be off.
2. Room Fan Output Test - The display will show “rfan”. The room fan is turned on full. If the Room Fan Fuse is not blown and the fuse detection circuit is functioning, the Room Fan LED will be lit and the other three top row LEDs will be off.
3. Ignitor Output Test - The display will show “ignr”. The ignitor motor is turned on full. If the Ignitor (AUX) Fuse is not blown and the fuse detection circuit is functioning, the Aux LED will be lit and the other three top row LEDs will be off.
4. Auger Output Test - The display will show “augr”. The auger motor is turned on full. If the Auger Fuse is not blown and the fuse detection circuit is functioning, the Heat Range LED will be lit and the other three top row LEDs will be off.
5. Hopper Switch Test – The display will show “hppr”. The “ON” LED is lit. If the hopper switch is open (lid is open), the “HEAT RANGE” LED will turn on. If the lid is closed, the “HEAT RANGE” LED will be off.
6. Thermostat Input Test – The display will show “stat”. If the thermostat input is closed, the ON LED will turn on, otherwise it will be off.
7. Flue gas Thermistor Test – The display will show the flue gas temperature in degrees F.
8. AC Frequency Test - Displays the measured AC Frequency in hertz (59-60) followed by the letter ‘H’.
9. Watchdog Reset – The watchdog timer is tested to ensure that the board can be reset. The message “BYE” is displayed until the watchdog resets the board.

PERFORMING A “DRY RUN”

Perform a “dry run” on your stove prior to making the exhaust/inlet connections and starting your stove for the first time.

1. Check that there is no fuel or ANY foreign material in the hopper or burn-pot.
2. Check that the viewing door and hopper lid is securely closed.
3. Press the “ON” button on the control panel. Verify that the ON LED is lit (blinking) and the display shows HR-1. Also the LED above the HEAT RANGE and the AUTO MODE indicator should be lit. If any other LED's are lit or flashing, consult the “Display Indicators” in this manual.
4. You should hear the exhaust (draft) fan running immediately and the auger should begin turning continuously for 1 minute.
5. The auto fuel ignitor (located inside the backwall of the burnpot) should begin to glow red/orange after 3 minutes.

6. The Room Fan will not operate at this time since the unit must reach a factory preset temperature.

Do not open the viewing door, the auto-start igniter will get very hot during this test. The stove will automatically shut down after approximately 23 minutes.

- DO NOT USE CHEMICALS OR FLUIDS TO START THE FIRE - Never use gasoline, gasoline-type lantern fuel, kerosene, charcoal lighter fluid, or similar liquids to start or "freshen up" a fire in this stove. Keep all such liquids well away from the stove while it is in use.
- HOT WHILE IN OPERATION. KEEP CHILDREN, CLOTHING AND FURNITURE AWAY. CONTACT MAY CAUSE SKINS BURNS.
- DO NOT USE GRATES OR ELEVATE THE FIRE. BURN POT HAS TO BE IN ITS INTENDED LOCATION.

This heater is designed to burn only PFI Premium grade pellets. DO NOT BURN:

1. Garbage;
2. Lawn clippings or yard waste;
3. Materials containing rubber, including tires;
4. Materials containing plastic;
5. Waste petroleum products, paints or paint thinners, or asphalt products;
6. Materials containing asbestos;
7. Construction or demolition debris;
8. Railroad ties or pressure-treated wood;
9. Manure or animal remains;
10. Salt water driftwood or other previously salt water saturated materials;
11. Unseasoned wood; or
12. Paper products, cardboard, plywood, or particleboard. The prohibition against burning these materials does not prohibit the use of fire starters made from paper, cardboard, saw dust, wax and similar substances for the purpose of starting a fire in an affected wood heater.

WARNING: Burning these materials may result in release of toxic fumes or render the heater ineffective and cause smoke.

START-UP PROCEDURE

1. Verify that the hopper is clean and free of foreign matter.
2. Verify that all of the required exhaust/inlet connections have been made in accordance with this manual and that the stove is plugged into an outlet (an outlet surge protector is highly recommended).
3. Fill the hopper with wood pellets; do not allow any part of the bag or any other foreign material into the hopper, as this may jam the auger.
4. Ensure that all pellet matter is cleared from the hopper seating surface.
5. Close the hopper lid. The unit WILL NOT feed fuel with the hopper lid open.
6. Make sure that the viewing door is securely closed (the safety pressure switch will not allow the stove to feed fuel if there is no draft pressure inside the stove).
7. Press the "ON" button on the control pad and set the "heat Setting" to your desired setting.
8. The stove will begin to feed fuel and the auto-start igniter will ignite the fuel in approximately 5 minutes.

Once a consistent flame has been established, you can adjust the "Heat Range" and "Blower Speed" on the control pad to your desired settings. (Note: The distribution blower will not function until the heat exchanger in the stove reaches the factory preset temperature).

Attempts to achieve heat output rates that exceed heater design specifications can result in permanent damage to the heater.

FIRST FIRE

Adjust the "Heat Range" and "Blower Speed" to a "3" setting and allow the stove to operate in this manner for approximately three (3) hours (or more if necessary), allowing the stove to "cure out" as the paint and oils from the manufacturing process burn off. We recommend that you open doors and windows in your home during this process. Adjust setting to desired setting.

WARNING: Never shut down this unit by unplugging it from the power source.

SHUT DOWN PROCEDURE

Press the "OFF" button on the control pad to put the stove in shut down mode. At this time, the red light above the pad will illuminate. Once this is done, the auger will stop feeding pellets, but the distribution blower and

exhaust blower will continue to operate. When the internal temperature of the unit drops below the factory preset temperature, the distribution blower and exhaust blower will cease to operate. The red light will then shut off and the unit will be completely shut down. The hotter the unit is during its operation, the longer it will take for the stove to complete the shut down cycle. If the stove stays on for more than 2 hours after pressing the "OFF" button and you are sure that the fire is out, the stove can be unplugged from the outlet. After approximately 10 seconds, the unit can be re-connected to the power source and the control board will be reset. If a chimney or creosote fire occurs, press the "OFF" button immediately. Do not unplug the unit.

DAILY OPERATION

- The hopper and stove top will be hot during operation; therefore, you should always use some type of hand protection when refueling your stove.
- Never place your hand near the auger while the stove is in operation.

This unit should be filled when the hopper level drops below 3-inches.

In the event of a power outage, the stove will not function. It is very important that unit be vented properly (with outside air), as the natural draft is needed to clear the smoke from the stove during a power outage. If the unit was "ON" when the power outage occurred, one of the following will take place:

1. If the stove is still warm, it will resume feeding fuel and continue to operate normally. If the fire has gone out, you will have to press the "OFF" button and then the "ON" button again to begin a new start-up sequence.
2. If the stove has cooled-off, it will reset to its "OFF" condition. At this point, you may press the "ON" button and the unit will begin a new start-up sequence.

NOTE: The unit will also shut down in the event of an exhaust blower failure; if this is the case, the unit will not restart and you must contact Customer Service at (800) 750-2723.

SAFETY AND CONVENIENCE FEATURES

Your pellet stove incorporates a safety pressure switch that helps ensure that everything is in proper working order before feeding fuel to the burn pot. Because the stove works using an induced draft pressure, the stove will not continue to operate if the viewing door is left open; or if the exhaust blower fails or the exhaust system is blocked. The temperature limit control (Thermistor) will prevent your stove from operating at abnormally high temperatures. Should the stove temperature begin to approach the factory pre-set limit, the temperature limit control will automatically slow down the auger feed rate until the temperature returns to a normal condition. Even though the heater will operate on the highest setting, we recommend to operate your heater on this setting for only a short period of time. (1 hour etc.) Your pellet stove also includes an auto-start igniter as a standard feature. The use of other fire starter materials (wood chips, starter gel, etc.) is not necessary. By simply pressing the "ON" button on the digital control panel, your stove will begin to feed fuel and automatically start within 5 minutes.

TAMPER WARNING

This wood heater has a manufacturer-set minimum low burn rate that must not be altered. It is against federal regulations to alter this setting or otherwise operate this wood heater in a manner inconsistent with operating instructions in this manual.

CAUTION: This wood heater needs periodic inspection and repair for proper operation. It is against federal regulations to operate this wood heater in a manner inconsistent with operating instructions in this manual.

Maintenance

- Failure to clean and maintain this unit as indicated can result in poor performance and safety hazards.
- Unplug your stove's electrical cord prior to removing the back panel or opening the exhaust system for any inspection, cleaning, or maintenance work.
- Never perform any inspections, cleaning, or maintenance on a hot stove.
- Do not operate stove with broken glass, leakage of flue gas may result.
- WARNING: The chimney and chimney connector must be kept in good condition and clean.

EXHAUST SYSTEM

Creosote Formation – When any wood is burned slowly, it produces tar and other organic vapors, which combine with expelled moisture to form creosote. The creosote vapors condense in the relatively cool chimney flue or a newly started fire or from a slow-burning fire. As a result, creosote residue accumulates on the flue lining. When ignited, this creosote makes an extremely hot fire, which may damage the chimney or even destroy the house. Despite their high efficiency, pellet stoves can accumulate creosote under certain conditions.

Fly Ash – This accumulates in the horizontal portion of an exhaust run. Though non-combustible, it may impede the normal exhaust flow. It should therefore be periodically removed.

Inspection and Removal – The chimney connector and chimney should be inspected annually or per ton to determine if a creosote or fly ash build-up has occurred. If creosote has accumulated, it should be removed to reduce the risk of a chimney fire. Inspect the system at the stove connection and at the chimney top. Cooler surfaces tend to build creosote deposits quicker, so it is important to check the chimney from the top as well as from the bottom. The creosote should be removed with a brush specifically designed for the type of chimney in use. A qualified chimney sweep can perform this service. It is also recommended that before each heating season the entire system be professionally inspected, cleaned and, if necessary, repaired. To clean the chimney, disconnect the vent from the stove.

INTERIOR CHAMBERS

Periodically remove and clean the burnpot and the area inside the burnpot housing. In particular it is advisable to clean out the holes in the burnpot to remove any build up that may prevent air from moving through the burnpot freely. Remove the two (2) plates on each side of the burnpot housing and clean out the rear chamber. If a vacuum is used to clean your stove, we suggest using the AV15E AshVac vacuum. The AV15E AshVac is designed for ash removal. Some regular vacuum cleaner (i.e. shop vacs) may leak ash into the room.

ASH DISPOSAL

Ashes should be placed in a steel container with a tight fitting lid and moved outdoors immediately. The closed container of ashes should be placed on a non-combustible floor or on the ground, well away from combustible materials, pending final disposal. If the ashes are disposed of by burial in soil or otherwise locally dispersed, they should be retained in the closed container until all cinders have thoroughly cooled. Other waste shall not be placed in this container.

SMOKE AND CO MONITORS

Burning wood naturally produces smoke and carbon monoxide(CO) emissions. CO is a poisonous gas when exposed to elevated concentrations for extended periods of time. While the modern combustion systems in heaters drastically reduce the amount of CO emitted out the chimney, exposure to the gases in closed or confined areas can be dangerous. Make sure you stove gaskets and chimney joints are in good working order and sealing properly to ensure unintended exposure. It is recommended that you use both smoke and CO monitors in areas having the potential to generate CO.

CHECK AND CLEAN THE HOPPER

Check the hopper periodically to determine if there is any sawdust or pellets that are sticking to the hopper surface. Clean as needed.

DOOR AND GLASS GASKETS

Inspect the main door and glass window gaskets periodically. The main door may need to be removed to have frayed, broken, or compacted gaskets replaced by your authorized dealer. The glass gasket has a gap at the bottom for the airwash. This unit's door uses a 5/8" diameter rope gasket.

BLOWER MOTORS

Clean the air holes on the motors of both the exhaust and distribution blowers annually. Remove the exhaust blower from the exhaust duct and clean out the internal fan blades as part of your fall start-up.

PAINTED SURFACES

Painted surfaces may be wiped down with a damp cloth. If scratches appear, or you wish to renew your paint, contact your authorized dealer to obtain a can of suitable high-temperature paint.

GLASS - CLEANING, REMOVAL AND REPLACEMENT OF BROKEN DOOR GLASS

Cleaning - We recommend using a high quality glass cleaner. Should a build up of creosote or carbon accumulate, you may wish to use 000 steel wool and water to clean the glass. DO NOT use abrasive cleaners. DO NOT perform the cleaning while the glass is HOT. In the event you need to replace the glass, remove the four(4) screws and glass retainers. While wearing leather gloves (or any other gloves suitable for handling broken glass), carefully remove any loose pieces of glass from the door frame. Dispose of all broken glass properly. ONLY high temperature ceramic glass of the correct size and thickness may be used. DO NOT substitute alternative materials for the glass. Contact your authorized dealer to obtain this glass. Re-install the new glass by re-attaching the retainers and screws, careful not to overtighten the screws for this could damage the glass. DO NOT abuse the door glass by striking, slamming or similar trauma. Do not operate the stove with the glass removed, cracked or broken.

FALL START UP

Prior to starting the first fire of the heating season, check the outside area around the exhaust and air intake systems for obstructions. Clean and remove any fly ash from the exhaust venting system. Clean any screens on the exhaust system and on the outside air intake pipe. Turn all of the controls on and make sure that they are working properly. This is also a good time to give the entire stove a good cleaning throughout.

SPRING SHUTDOWN

After the last burn in the spring, remove any remaining pellets from the hopper and the auger feed system. Scoop out the pellets and then run the auger until the hopper is empty and pellets stop flowing (this can be done by pressing the "ON" button with the viewing door open). Vacuum out the hopper. Thoroughly clean the burnpot, and firebox. It may be desirable to spray the inside of the cleaned hopper with an aerosol silicone spray if your stove is in a high humidity area. The exhaust system should be thoroughly cleaned.

CHIMNEY CONNECTOR

The required chimney connector must be kept clean and in good condition.

Trouble Shooting

- Disconnect the power cord before performing any maintenance! NOTE: Turning the ON/OFF Switch to "OFF" does not disconnect all power to the electrical components of the stove.
- Never try to repair or replace any part of the stove unless instructions for doing so are given in this manual. All other work should be done by a trained technician.

PROBLEM	CAUSE: To rich air/fuel mixture
Orange, lazy flame, excessive fuel build-up in the burnpot	Clean out the burnpot and burnpot housing Make sure that the viewing door is closed and sealed properly. If not, adjust door catch and/or replace door gaskets. Check that all outside connections are clear of any obstructions. Check the exhaust system; clean as needed.
PROBLEM	CAUSE: Burnpot burns out of fuel
Fire goes out or stove shuts down.	Hopper is empty, refill the hopper. Loss of draft pressure. Make sure that the viewing door is closed and sealed properly. If not, adjust door catch and/or replace door gaskets. Check that all outside connections are clear of any obstructions. Check the exhaust system; clean as needed. Check that the pressure switch connection to the firebox is free of ash or clear of obstructions. Auger system is jammed or there is a "bridging" of the fuel in the hopper, preventing fuel from flowing into the auger feed system.
PROBLEM	CAUSE: Auto-Start Igniter fails to ignite the fuel in the burn pot.
Stove does not start a fire when the "ON" button is pushed	Turn the stove off. Clear the unburned fuel from the burnpot and try again. Check the pellet quality. Replace if moist, wet, or dirty. Loss of draft pressure. Make sure that the viewing door is closed and sealed properly. If not, adjust door catch and/or replace door gaskets. Check that all outside connections are clear of any obstructions. Check the exhaust system; clean as needed. Check that the auto-start igniter is not blocked with ash or soot. (The igniter is located behind the burnpot on the back wall of the firebox.) Check that the pressure switch connection to the firebox is free of ash or clear of obstructions. The auto-start igniter gets "red hot" during start-up. If you can not visibly see the igniter glowing during start-up, then the igniter may need to be replaced or there is a problem with the electrical control system.
PROBLEM	CAUSE: Power outage
Experiencing low exhaust pressure	Turn off the circuit board and turn it back on.

Error Code	Error Description	Possible Causes
Err1	The high limit temperature sensor has tripped.	Inadequate ventilation. Room fan failure. Exhaust Blockage. Electrical Open in wiring.
Err2	Stove ran out of fuel during normal operation.	Hopper Empty. Auger output failure or jam. Flame of fuel quality caused fire to burn too slowly or go out. Electrical Open in wiring.
Err3	The stove was unable to reach the Room Fan On temperature within the start-up time.	Flame or Fuel quality caused the fire to burn too slowly or go out. Auger output failure or jam Hopper empty on start-up.
Err4	The power failed while the stove was hot, and when power was restored, the fire was out.	Electrical Open in wiring. Power loss
Err5	The Auger output fuse has blown.	Auger motor jammed or bad.
Err6	The Ignitor output fuse has blown.	Ignitor shorted out or bad.
Err7	The Draft Fan (Exhaust Fan) output fuse has blown.	Draft Fan motor jammed or bad.
Err8	The Room Fan output fuse has blown.	Room fan motor jammed or bad.

DISPLAY INDICATORS

Several situations or events are indicated in normal operation by blinking display indicators or segments in the display:

Flashing On Indicator: This means that the stove is in the “Start Up” state waiting for the ignition procedure to complete.

Flashing Off Indicator: This indicates that the stove is in the “Shut Down” state waiting for the off button, or for a 15 minute period after the stove was turned off, or for the stove to cool down, or for the door to be closed.

Flashing dash in Heat Range Display: This indicates that the stove is in the normal run mode and is ramping from the current heat range setting to the target heat range setting. Once the ramp is complete, the dash will stop flashing. For ramping from heat range 1 to 5, the default time is 12 minutes (with a 90 second ramp time).

Flashing Automatic Mode Indicator: This indicates that the stove is in normal operation and is running in the automatic mode. However, either the draft fan or room fan setting is manually configured.

Flashing Draft Fan Setting Indicator: This indicates that the stove is in normal operation and that the vacuum sensor detects a loss of pressure either because the door is open or because there is a negative pressure in the room with respect to the exhaust.

Flashing Aux Indicator: This indicates that the ignitor is on during the lighting stage.

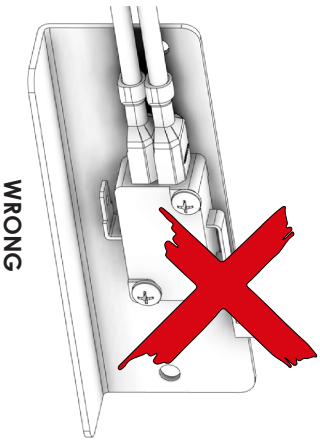
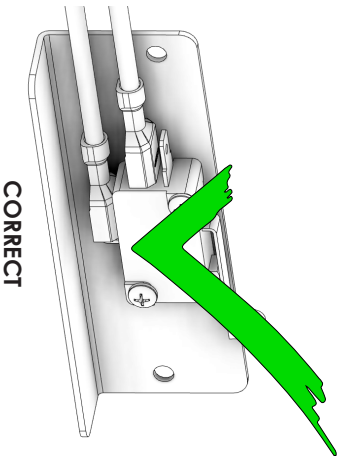
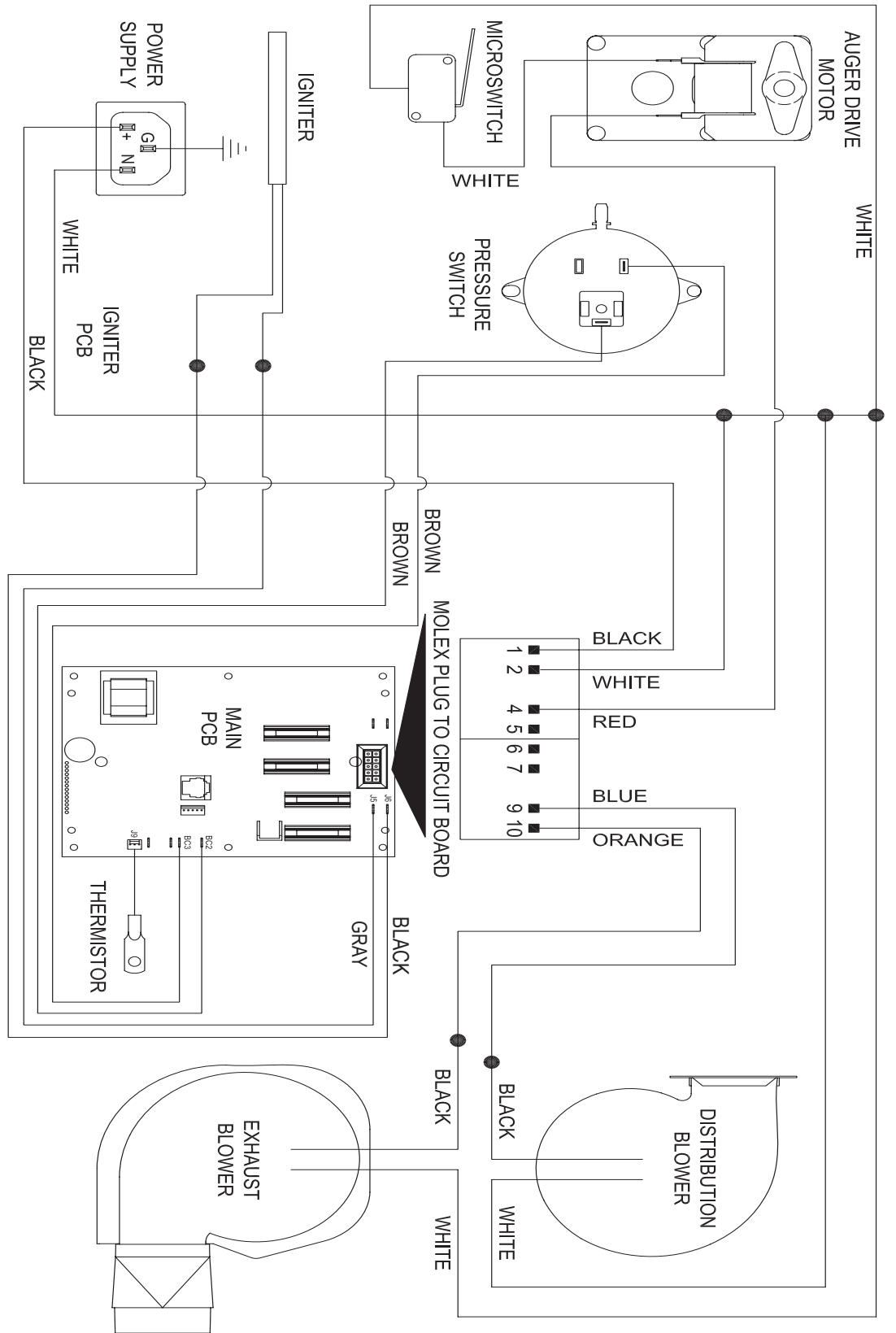
Quickly (changes twice per second) Flashing Heat Range Setting Indicator: This indicates that the stove is in normal operation and that an over-temperature condition exists causing the fuel to stop.

Slowly (changes once per second) Flashing Heat Range Setting Indicator: This indicates that the stove is in a cut back condition in an attempt to prevent an over-temperature shut down.

FACTORY DEFAULTS

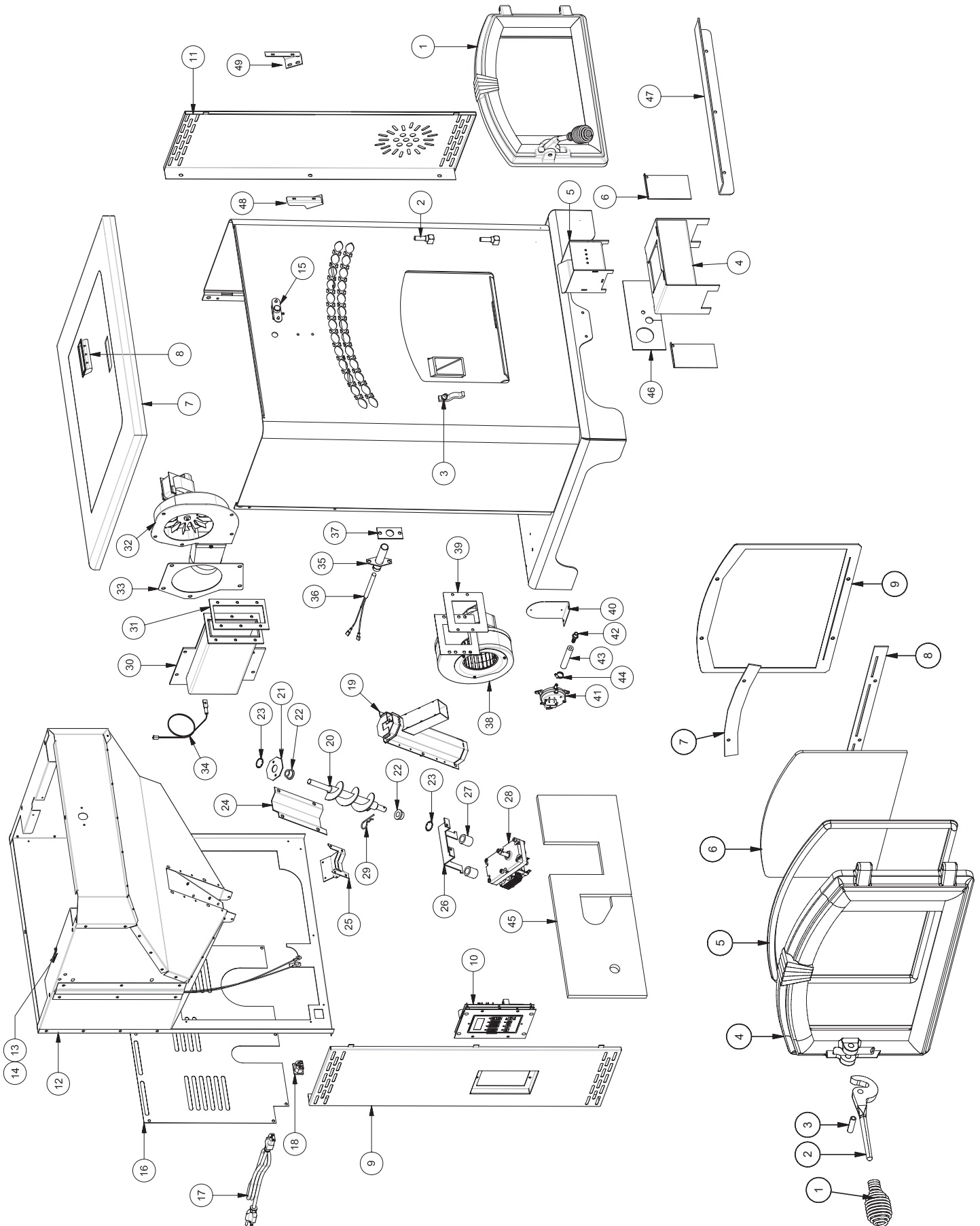
To return the control to its original factory default settings, press and hold the AUX UP and AUX DOWN buttons together for three seconds.

Wiring Diagram



Ensure the wires are connected to the bottom two prongs of the hopper switch as shown.

Parts Diagram



Parts List

Key	Part #	Description	Qty
1	69524	Feed Door Assembly	1
2	891372	Door Hinge Pad	2
3	25080B	Feed Door Latch	1
4	69693	Burnpot Housing Weldment	1
5	86624	Burnpot Assembly	1
6	25513	Ash Cleanout	2
7	69713MB	Top/Lid Weldment	1
8	891148	Plastic Handle	1
9	69515MB	Cabinet Side - Left	1
10	80778	Assy, Circuit Board (4-Digit) IR Compatible	1
11	25488MB	Cabinet Side - Right	1
12	69787	Hopper Assembly	1
13	80491	Mlcroswitch	1
14	83541	#4-40 Bolt	2
15	893039	Remote Sensor Bracket	1
16	25480MB	Access Panel	1
17	80461	Power Supply Cord	1
18	80462	Receptacle, 3 Prong	1
19	891164	Auger Housing Weldment	1
20	891141	Auger	1
21	891189	Top Bushing Plate	1
22	891132	Bushing	1
23	83534	Retaining Ring	1
24	69719	Auger Cover	1
25	891161	Bottom Plate Retainer	1
26	25495	Drive Motor Bracket	1
27	891169	Heater Hose	2
28	80488	Auger Motor	1
29	83529	Hair Pin	1
30	69763	Exhaust Duct Weldment	1
31	88117	Exhaust Duct Gasket	1
32	80473	Exhaust Blower	1
33	88100	Exhaust Blower Gasket	1
34	80480	Thermistor	1
35	86633	Ignitor Tube Weldment	1
36	80619	Ignitor Cartridge	1
37	88118	Ignitor Flange Gasket	1
38	80472	Distribution Blower	1
39	88106	Distribution Blower Gasket	1
40	25774	Pressure Switch Bracket	1
41	80549	Pressure Switch	1

42	89586	Nipple	1
43	891121	Silicone Hose	3"
44	83537	Hose Clamp (#4)	1
45	88119	Insulation Blanket	1
46	88168	Burnpot Housing Gasket	1
47	26096MB	Hearth	1
48	26097MB	Grill Mount - Left	1
49	26098MB	Grill Mount - Right	1

Key	Part #	Description	Qty
1	891135	Spring Handle	1
2	25492	Handle, Door	1
3	83506	3/8 x 1-1/4 Roll Pin	1
4	25507	Feed Door	1
5	88066	5/8" Rope Gasket	4.5 ft
6	891053	Door Glass	1
7	25521	Top Glass Retainer	1
8	25520	Bottom Glass Retainer	1
9	25393	Glass Retainer	1

IN ORDER TO MAINTAIN WARRANTY, COMPONENTS MUST BE REPLACED USING ORIGINAL ASHLEY PARTS PURCHASED THROUGH YOUR DEALER OR DIRECTLY FROM ASHLEY. USE OF THIRD PARTY COMPONENTS WILL VOID THE WARRANTY.

Notes

Notes

Notes

Service Record

It is recommended that your heating system is serviced regularly and that the appropriate Service Interval Record is completed.

SERVICE PROVIDER

Before completing the appropriate Service Record below, please ensure you have carried out the service as described in the manufacturer's instructions. Always use the manufacturer's specified spare part when replacement is necessary.

Service 01	Date: _____
Engineer Name: _____	
License No.: _____	
Company: _____	
Telephone No.: _____	
Stove Inspected: <input type="checkbox"/>	Chimney Swept: <input type="checkbox"/>
Items Replaced: _____	

Service 02	Date: _____
Engineer Name: _____	
License No.: _____	
Company: _____	
Telephone No.: _____	
Stove Inspected: <input type="checkbox"/>	Chimney Swept: <input type="checkbox"/>
Items Replaced: _____	

Service 03	Date: _____
Engineer Name: _____	
License No.: _____	
Company: _____	
Telephone No.: _____	
Stove Inspected: <input type="checkbox"/>	Chimney Swept: <input type="checkbox"/>
Items Replaced: _____	

Service 04	Date: _____
Engineer Name: _____	
License No.: _____	
Company: _____	
Telephone No.: _____	
Stove Inspected: <input type="checkbox"/>	Chimney Swept: <input type="checkbox"/>
Items Replaced: _____	

Service 05	Date: _____
Engineer Name: _____	
License No.: _____	
Company: _____	
Telephone No.: _____	
Stove Inspected: <input type="checkbox"/>	Chimney Swept: <input type="checkbox"/>
Items Replaced: _____	

Service 06	Date: _____
Engineer Name: _____	
License No.: _____	
Company: _____	
Telephone No.: _____	
Stove Inspected: <input type="checkbox"/>	Chimney Swept: <input type="checkbox"/>
Items Replaced: _____	

Service 07	Date: _____
Engineer Name: _____	
License No.: _____	
Company: _____	
Telephone No.: _____	
Stove Inspected: <input type="checkbox"/>	Chimney Swept: <input type="checkbox"/>
Items Replaced: _____	

Service 08	Date: _____
Engineer Name: _____	
License No.: _____	
Company: _____	
Telephone No.: _____	
Stove Inspected: <input type="checkbox"/>	Chimney Swept: <input type="checkbox"/>
Items Replaced: _____	

How To Order Repair Parts

This manual will help you obtain efficient, dependable service from your heater, and enable you to order repair parts correctly.

Keep this manual in a safe place for future reference.

When writing, always give the full model number which is on the nameplate attached to the heater.

When ordering repair parts, always give the following information as shown in this list:

1. The part number _____
2. The part description _____
3. The model number _____
4. The serial number _____

Comment Commander Des Pièces De Rechange

Ce manuel vous aidera à obtenir un service fiable et efficace de votre appareil de chauffage, et vous permettre de commander correctement les pièces de rechange.

Conservez ce manuel dans un endroit sûr pour référence future.

Lors de l'écriture, toujours donner le numéro de modèle complet qui se trouve sur la plaque signalétique fixée sur l'appareil de chauffage.

Lors de la commande des pièces de rechange, fournir les informations suivantes comme indiqué dans cette liste:

1. Le numéro de pièce _____
2. La description de la pièce _____
3. Le numéro de modèle _____
4. Le numéro de série _____



United States Stove Company
227 Industrial Park Rd.,
South Pittsburg, TN 37380
PH: (800) 750-2723
www.usstove.com

Enregistrement De Service

Il est recommandé que votre système de chauffage est desservi régulièrement et que le Service Interval enregistrement approprié est terminée.

FURNISSEUR DE SERVICES

Avant de terminer l'enregistrement de service approprié ci-dessous, s'il vous plaît vous assurer que vous avez effectué le service tel que décrit dans le les instructions du fabricant. Toujours utiliser pièce de rechange indiquée par le fabricant lors de remplacement est nécessaire.

Service de 01
Date: _____
Nom de l'ingénieur: _____
N° de licence: _____
Compagnie: _____
N° de téléphone: _____
Poêle inspecté: Cheminée balayée:
Articles Remplacé: _____

Service de 02
Date: _____
Nom de l'ingénieur: _____
N° de licence: _____
Compagnie: _____
N° de téléphone: _____
Poêle inspecté: Cheminée balayée:
Articles Remplacé: _____

Service de 03
Date: _____
Nom de l'ingénieur: _____
N° de licence: _____
Compagnie: _____
N° de téléphone: _____
Poêle inspecté: Cheminée balayée:
Articles Remplacé: _____

Service de 04
Date: _____
Nom de l'ingénieur: _____
N° de licence: _____
Compagnie: _____
N° de téléphone: _____
Poêle inspecté: Cheminée balayée:
Articles Remplacé: _____

Service de 05
Date: _____
Nom de l'ingénieur: _____
N° de licence: _____
Compagnie: _____
N° de téléphone: _____
Poêle inspecté: Cheminée balayée:
Articles Remplacé: _____

Service de 06
Date: _____
Nom de l'ingénieur: _____
N° de licence: _____
Compagnie: _____
N° de téléphone: _____
Poêle inspecté: Cheminée balayée:
Articles Remplacé: _____

Service de 07
Date: _____
Nom de l'ingénieur: _____
N° de licence: _____
Compagnie: _____
N° de téléphone: _____
Poêle inspecté: Cheminée balayée:
Articles Remplacé: _____

Service de 08
Date: _____
Nom de l'ingénieur: _____
N° de licence: _____
Compagnie: _____
N° de téléphone: _____
Poêle inspecté: Cheminée balayée:
Articles Remplacé: _____

Schéma des pièces

Clé	Réf	La description	Qté
42	89586	Mamelon	1
43	891121	Tuyau De Silicone	3 po
44	83537	Collier De Serrage (N° 4)	1
45	88119	Couverture Isolante	1
46	88168	Logement Joint Pot De Combustion	1
47	26096MB	Foyer	1
48	26097MB	Grill Mont - Gauche	1
49	26098MB	Grill Mont - Droit	1
Clé	Réf	La description	Qté
1	891135	Poignée à ressort	1
2	25492	Poignée, porte	1
3	83506	Goupille cylindrique 3/8 x 1-1 / 4	1
4	25507	Porte d'alimentation	1
5	88066	Joint de corde 5/8 po	4,5 pi
6	891053	Verre de porte	1
7	25521	Retenue en verre supérieure	1
8	25520	Retenue de verre inférieure	1
9	25393	Arrêtoir en verre	1

Clé	Réf	La description	Qté.
1	69524	Montage D'alimentation De Porte	1
2	891372	Charnière De Porte Pad	2
3	25080B	Nourrissez Loquet De Porte	1
4	69693	Logement Weldment Pot De Combustion	1
5	86624	Assemblée Pot De Combustion	1
6	25513	Ash Cleanout	2
7	69713MB	Top / Couvrcle Weldment	1
8	891148	Poignée En Plastique	1
9	69515MB	Cabinet Side - Gauche	1
10	80778	Assy, Carte De Circuit Imprimé (4 Chiffres) Ir Compatible	1
11	25488MB	Cabinet Side - Droit	1
12	69787	Assemblée Hopper	1
13	80491	Micro-Interrupteur	1
14	83541	# 4-40 Bolt	2
15	893039	Support de capteur à distance	1
16	25480MB	Panneau D'accès	1
17	80461	Cordon D'alimentation	1
18	80462	Réceptacle, 3 Prong	1
19	891164	Auger Logement Weldment	1
20	891141	Vrille	1
21	891189	Top Bushing Plate	1
22	891132	Bague	1
23	83534	Retaining Ring	1
24	69719	Auger Cover	1
25	891161	Bottom Plate Retenue	1
26	25495	Moteur D'entraînement Bracket	1
27	891169	Tuyau De Chauffage	2
28	80488	Auger Motor	1
29	83529	Epingle À Cheveux	1
30	69763	Echappement Duct Weldment	1
31	88117	Conduit D'échappement Joint	1
32	80473	Echappement Blower	1
33	88100	Joint D'échappement Blower	1
34	80480	Thermistance	1
35	86633	Ignitor Tube Weldment	1
36	80619	Cartouche Ignitor	1
37	88118	Ignitor Bride Joint	1
38	80472	Souffleur De Distribution	1
39	88106	Répartition Du Ventilateur Joint	1
40	25774	Pressostat Support	1
41	80549	Commutateur De Pression	1

AFIN DE MAINTENIR LA GARANTIE, LES COMPOSANTS DOIVENT ÊTRE REMPLACÉS À L'AIDE DE PIÈCES ORIGINALES KING ACHETÉES PAR VOTRE CONCESSIONNAIRE OU DIRECTEMENT CHEZ KING. L'UTILISATION DE COMPOSANTS TIERS ANNULERA LA GARANTIE.

Schéma des pièces

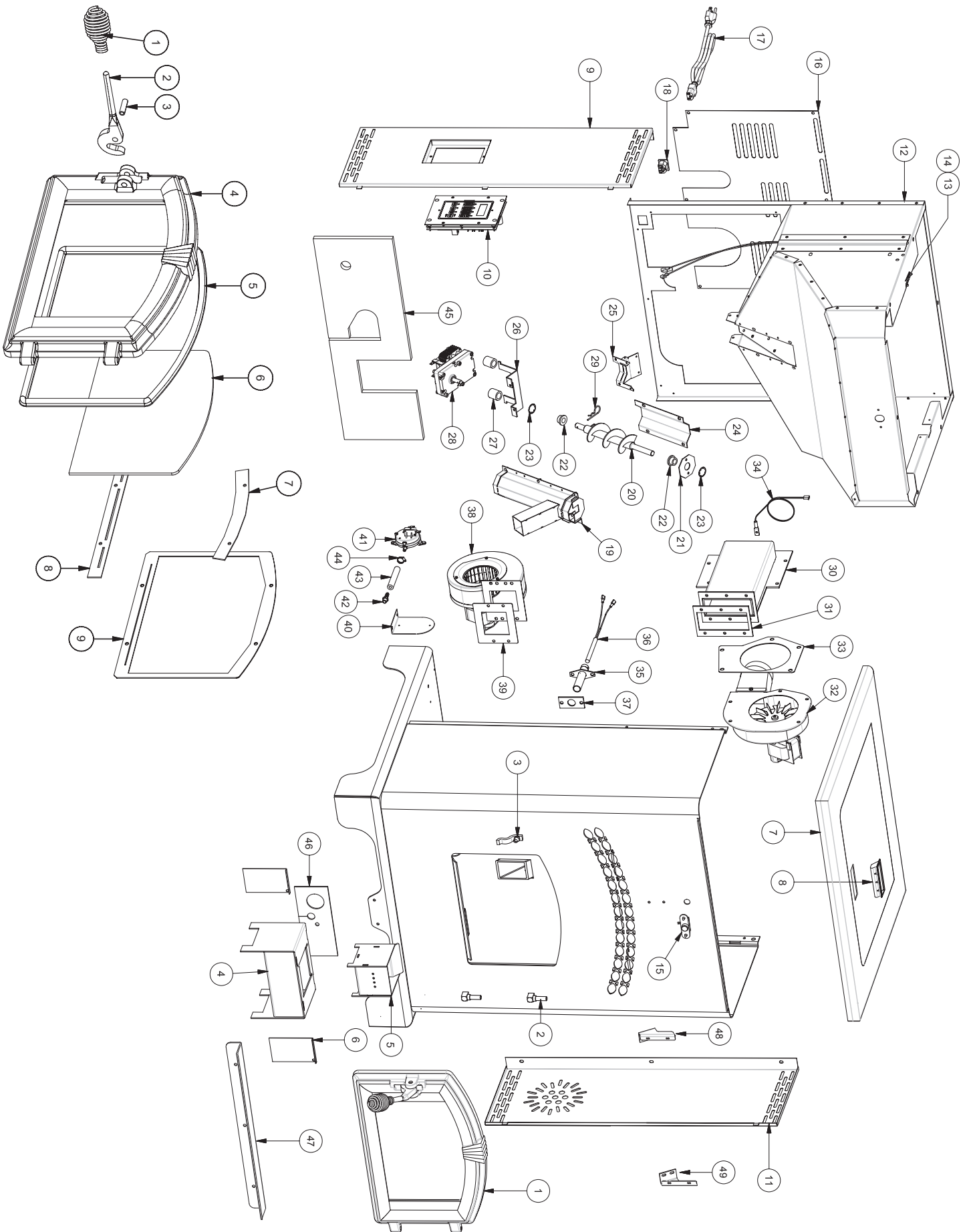
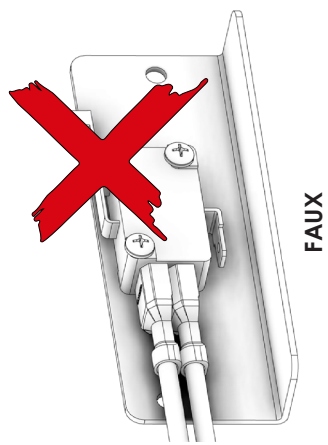
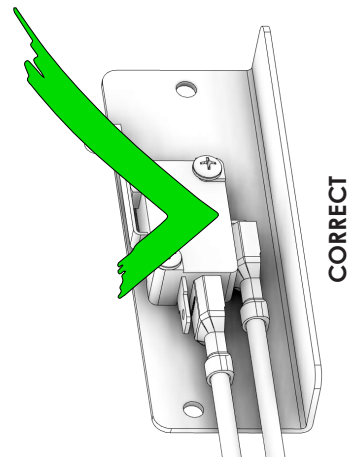
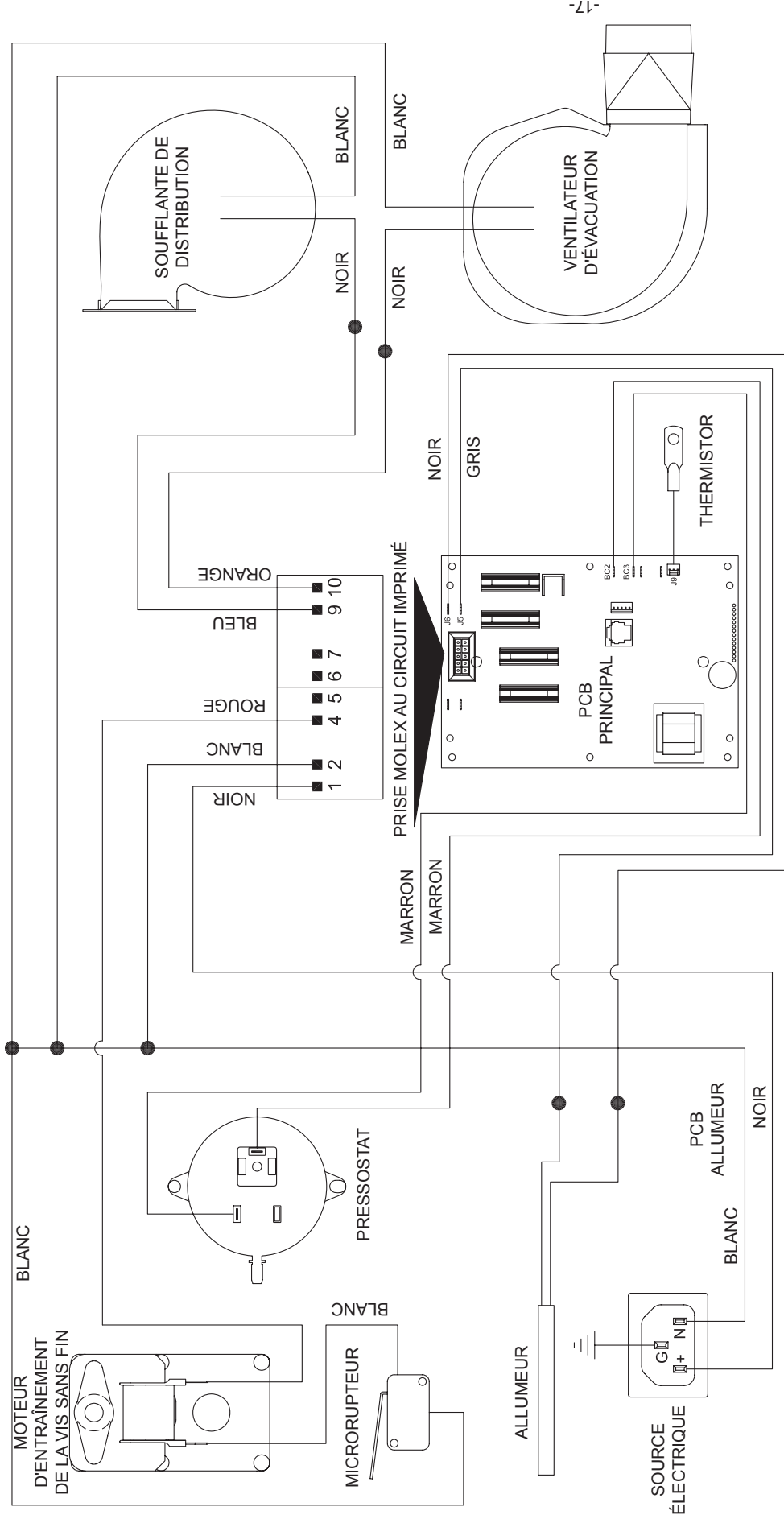


Schéma de câblage



Assurez-vous que les fils sont connectés aux deux broches inférieures de l'interrupteur de la trémie, comme illustré.

Codes d'erreur et indicateurs d'affichage

Code d'erreur	Description de l'erreur	Causes possibles
Err1	Le capteur de limite élevée de température s'est déclenché.	Ventilation inadéquate. Panne du ventilateur de la pièce. Blocage de l'évacuation. Circuit électrique ouvert.
Err2	Le poêle est tombé à court de combustible pendant le fonctionnement normal.	Panne ou blocage de la sortie de la vis sans fin. La flamme ou la qualité du combustible a entraîné un feu qui brûle trop lentement ou s'éteint. Circuit électrique ouvert.
Err3	Le poêle a été incapable d'atteindre la température de mise en marche du ventilateur de la pièce dans le délai de mise en route.	Panne de la sortie de la vis sans fin Trémie vide lors de la mise en marche.
Err4	Une panne d'alimentation électrique a eu lieu tandis que le poêle était chaud et lorsque l'alimentation a été restaurée, le feu était éteint.	Circuit électrique ouvert. Perte de puissance.
Err5	Le fusible de sortie de la vis sans fin a sauté.	Moteur de la vis sans fin bloqué ou défectueux.
Err6	Le fusible de sortie de l'igniteur a sauté.	Igniteur court-circuité ou défectueux.
Err7	Le fusible de sortie du ventilateur de tirage (ventilateur d'évacuation) a sauté.	Moteur du ventilateur de tirage bloqué ou défectueux.
Err8	Le fusible de sortie du ventilateur de la pièce a sauté.	Moteur du ventilateur de la pièce bloqué ou défectueux.

INDICATEURS D'AFFICHAGES

Plusieurs situations ou événements sont indiqués lors du fonctionnement normal par le biais d'indicateurs d'affichage ou segments clignotant sur l'écran:

Indicateur «On» clignotant: Cela signifie que le poêle est dans l'état «Démarrage» en attendant la fin de la procédure d'allumage.

Indicateur «Off» clignotant: Cela indique que le poêle est en cours d'«extinction», en attendant que le bouton OFF soit pressé, ou pendant un délai de 15 minutes après que le poêle ait été éteint ou encore que le poêle refroidisse.

Tiret clignotant sur l'affichage de chaleur (Heat Range): Cela indique que le poêle est en mode de fonctionnement normal et qu'il se met en marche à partir du réglage du niveau de chaleur actuel jusqu'au réglage du niveau de chaleur indiqué. Une fois que le temps de mise en œuvre est terminé, le tiret s'arrête de clignoter. Pour la mise en marche du niveau de chaleur de 1 à 5, le délai par défaut est de 12 minutes (avec un délai de mise en œuvre de 90 secondes).

Indicateur du mode Automatique («Automatic Mode») clignotant: Ceci indique que le poêle fonctionne normalement et fonctionne en mode automatique. Toutefois, le réglage du ventilateur de tirage ou du ventilateur de pièce est configuré manuellement.

Indicateur du réglage du ventilateur de tirage («Draft Fan») clignotant: Cela indique que le poêle fonctionne normalement et que le capteur de vide détecte une perte de pression due au fait que la porte soit ouverte ou en raison d'une pression négative dans la pièce par rapport à l'évacuation.

Indicateur «Aux» clignotant: Cela indique que l'igniteur est en marche pendant la phase d'allumage.

Indicateur de réglage du niveau de chaleur (Heat Range) clignotant rapidement (deux fois par seconde): Cela indique que le poêle fonctionne normalement et qu'une condition de température excessive existe, provoquant l'arrêt du combustible.

Indicateur de réglage du niveau de chaleur (Heat Range) clignotant lentement (une fois par seconde): Cela indique que le poêle est en condition de réduction, essayant d'éviter un arrêt dû à une température excessive.

DÉFAUTS D'USINE

Pour renvoyer les commandes à leurs réglages originaux d'usine, appuyez et maintenez enfoncés simultanément les boutons AUX UP et AUX DOWN pendant trois secondes.

Dépannage

- Déconnectez le cordon d'alimentation avant d'effectuer tout travail d'entretien ! REMARQUE: Mettre l'interrupteur ON/OFF (marche/arrêt) sur "OFF" ne coupe pas l'alimentation des composants électriques du poêle.
- Ne tentez jamais de réparer ou de remplacer une pièce du poêle à moins que des instructions pour le faire ne soient fournies dans ce manuel. Tous les autres travaux devront être effectués par un technicien qualifié.

PROBLÈME	CAUSE: Pour enrichir le mélange air/combustible
Flamme faible, orange dépot excessif de combustible dans le pot de combustion	Nettoyez le pot de combustion et le logement du pot de combustion Assurez-vous que la porte d'inspection soit fermée et scellée correctement. Si ce n'est pas le cas, réglez la fermeture de la porte et/ou remplacez les joints. Vérifiez que tous les raccordements externes ne présentent aucune obstruction.
PROBLÈME	CAUSE: Le pot de combustion brûle sans combustible
Le feu ou le poêle s'éteignent.	La trémie est vide, remplissez la trémie. Perte de pression de tirage. Assurez-vous que la porte d'inspection soit fermée et scellée correctement. Si ce n'est pas le cas, réglez la fermeture de la porte et/ou remplacez les joints de la porte. Vérifiez que tous les raccordements externes ne présentent aucune obstruction. Vérifiez le système d'aspiration ; nettoyez-le si nécessaire. Vérifiez que le ressort du pot de combustion ne contient aucune cendre ni obstruction. Le système à vis sans fin est bloqué ou il y a une « voute » de combustible dans la trémie, qui empêche le combustible de s'écouler dans le système d'approvisionnement à vis sans fin.
PROBLÈME	CAUSE: L'allumeur automatique n'allume pas le combustible dans le pot de combustion.
Le poêle ne démarre pas un feu quand le bouton «ON» (marche) est pressé	Mettez le poêle en position "OFF" (arrêt). Retirez le combustible non brûlé du pot de combustion et essayez de nouveau. Vérifiez la qualité des granulés. Remplacez-les s'ils sont mouillés, humides ou sales. Perte de pression de tirage. Assurez-vous que la porte d'inspection soit fermée et scellée correctement. Si ce n'est pas le cas, réglez la fermeture de la porte et/ou remplacez les joints de la porte. Vérifiez que tous les raccordements externes ne présentent aucune obstruction. Vérifiez le système d'aspiration ; nettoyez-le si nécessaire. Vérifiez que l'allumeur automatique ne soit pas bloqué par des cendres ou de la suie. (L'allumeur est situé derrière le pot de combustion sur la paroi arrière du foyer.) Vérifiez que le raccordement du ressort au foyer ne contient aucune cendre ni obstruction. L'allumeur automatique devient « rouge vif » lors du démarrage. Si vous ne pouvez pas observer le rougeoiement de l'allumeur pendant le démarrage, alors il se peut que l'allumeur doive être remplacé ou qu'il y ait un problème avec le système de contrôle électrique.
PROBLÈME	CAUSE: Panne de courant
Vivre une faible pression d'échappement	Éteignez la carte de circuit imprimé et rallumez-la.

DÉTECTEURS DE FUMÉE ET DE CO

Le brûlage du bois produit naturellement des émissions de fumée et du monoxyde de carbone (CO). Le CO est un gaz poison lorsqu'il est exposé. Il se fait à des concentrations élevées pour une période de temps prolongée. Bien que les systèmes de combustion modernes des chauffages réduisent de façon importante la quantité de CO émis par la cheminée, l'exposition aux gaz dans des endroits fermés ou clos peut être dangereuse. Assurez-vous que les joints d'étanchéité de votre poêle et les joints de la cheminée soient en bon état et qu'ils scellent correctement, évitant les expositions indésirables. Il est recommandé que vous utilisiez des détecteurs de fumée et de CO dans les zones où se trouve un potentiel de génération de CO. Vérifier et nettoyer la trémie. Vérifier périodiquement la trémie afin de déterminer s'il y a des scories ou des granulés collés sur la surface de la trémie. Nettoyez si nécessaire.

ÉLIMINATION DES CENDRES

L'élimination des cendres - Les cendres doivent être placées dans un conteneur en acier avec un couvercle hermétique et acheminées à l'extérieur immédiatement. Le récipient de cendres fermé devrait être placé sur un plancher incombustible ou sur le sol, loin de tous matériaux combustibles, en attendant l'élimination finale. Si les cendres sont enterrées dans le sol ou dispersées autrement sur place, ils doivent être conservés dans le récipient fermé jusqu'à ce qu'elles soient complètement refroidies. Les autres déchets ne doivent pas être placés dans ce conteneur.

JOINTS DE LA PORTE ET DE LA VITRE

Inspectez périodiquement les joints de la porte principale et de la fenêtre vitrée. Il se peut qu'il soit nécessaire de retirer la porte principale pour que votre revendeur autorisé remplace les joints éraillés, cassés ou compactés. Le joint de la vitre possède un vide dans sa partie inférieure destiné au lavage à l'air. La porte ce cette unité utilise un joint de corde de 5/8 po de diamètre.

MOTEURS DE LA SOUFFLANTE

Nettoyez tous les ans les moteurs des ventilateurs d'évacuation et de distribution. Retirez le ventilateur d'évacuation du conduit d'évacuation et nettoyez les pales internes du ventilateur lors de votre mise en marche en automne.

SURFACES PEINTES

Les surfaces peintes peuvent être essuyées avec un tissu doux. Si des rayures apparaissent, ou si vous souhaitez rénover la peinture, contactez votre revendeur autorisé afin d'obtenir un pot de peinture adaptée aux températures élevées.

VITRE - NETTOYAGE, RETRAIT ET REMPLACEMENT DE LA VITRE CASSÉE DE LA PORTE

Nettoyage - Nous recommandons l'utilisation d'un nettoyeur pour vitres de bonne qualité. Si une accumulation de résote ou de carbone apparaît, vous pouvez utiliser une laine d'acier 000 et de l'eau pour nettoyer la vitre. N'utilisez PAS de nettoyeur abrasif. N'effectuez PAS le nettoyage tant que la vitre est CHAUDE. S'il s'avère nécessaire de remplacer la vitre, retirez les quatre (4) vis et les retenues de la vitre. Avec des gants en cuir (ou tout autre paire de gants qui convienne à la manipulation du verre brisé), retirez avec précaution les morceaux de verre du cadre de la porte. Jetez le verre brisé de façon appropriée. SÉULS des verres céramiques haute température de taille et d'épaisseur correctes doivent être utilisés. NE substituez PAS le verre avec des matériaux alternatifs. Contactez votre revendeur autorisé pour obtenir ce verre. Réinstallez le nouveau verre en le fixant de nouveau avec les retenues et les vis, faites attention à ne pas trop serrer les vis car cela pourrait endommager le verre. NE maintenez PAS la vitre de la porte en la cognant, claquant ou en la traitant de façon similaire. Ne faites pas fonctionner le poêle avec la vitre retirée, fissurée ou brisée.

MISE EN MARCHÉ D'AUTOMNE

Avant de démarrer le premier feu de la saison de chauffage, vérifiez la présence d'obstructions dans la zone extérieure autour des systèmes d'évacuation et d'admission d'air. Nettoyez et retirez toute cendre volante du système de ventilation d'évacuation. Nettoyez les vis du système d'évacuation et à l'extérieur du tuyau d'admission d'air. Mettez en marche toutes les commandes et assurez-vous qu'elles fonctionnent correctement. C'est également le moment opportun pour effectuer un nettoyage complet et minutieux du poêle.

EXTINCTION AU PRINTemps

Après le dernier chauffage de printemps, retirez tous les granulés restants dans la trémie et dans le système d'approvisionnement à vis sans fin. Videz les granulés et faites ensuite fonctionner la vis sans fin jusqu'à ce que la trémie soit vide et que les granulés ne sortent plus (cela peut être réalisé en appuyant sur le bouton «ON» avec la porte d'inspection ouverte). Aspirez la trémie. Nettoyez complètement le pot de combustion et le foyer. Il peut être souhaitable de pulvériser l'intérieur de la trémie nettoyée avec de la silicone en aérosol si votre poêle se trouve dans une région à humidité élevée. Le système d'évacuation devra être minutieusement nettoyé.

SURCHAUFFE

Tenez d'atteindre un taux de puissance calorifique dépassant les spécifications de conception du chauffage peut lui causer des dommages permanents.

REMARQUE: L'unité s'éteindra également en cas de panne du ventilateur d'aspiration ; si c'est le cas, l'unité ne redémarrera pas et vous devrez contacter le service après-vente au (800) 750-2723.

ACCESSOIRES DE SÉCURITÉ ET D'EMBALLAGE

Votre poêle à granulés comprend un pressostat de sécurité qui aide à garantir que tout fonctionnement normallement avant d'approvisionner le pot de combustion en combustible. Étant donné que le poêle fonctionne en utilisant une pression de tirage induit, le poêle cessera de fonctionner si la porte d'inspection est laissée ouverte ; ou si le ventilateur d'aspiration ou le système d'aspiration sont bloqués. La commande de limite de température (Thermistor) empêchera votre poêle de fonctionner à des températures anormalement élevées. Si la température du poêle commence à s'approcher de la limite réglée en usine, la commande de limite de température diminuera automatiquement le débit d'alimentation de la vis sans fin jusqu'à ce que la température revienne à la normale. Bien que l'appareil de chauffage fonctionne au réglage le plus élevé, nous recommandons de faire fonctionner votre appareil de chauffage à ce réglage pendant une courte période uniquement. (1 heure etc.) Votre poêle à granulés comprend aussi un allumeur automatique comme accessoire de série. L'utilisation d'autres matériaux d'allumage du feu (copexaux de bois, gel d'allumage, etc.) n'est pas nécessaire. Par une simple pression du bouton «ON» (marche) sur le panneau de contrôle digital, votre poêle commencera à approvisionner du combustible et démarrera automatiquement dans les 5 minutes.

AVERTISSEMENT DE FALSIFICATION

Ce chauffage au bois a un taux de combustion minimum réglé à la fabrication, et qui ne peut être modifié. La modification de ce réglage ou une utilisation autre de ce chauffage au bois qui ne respecterait pas les directives du présent manuel contrevient aux réglementations fédérales.

ATTENTION: Ce poêle à bois doit être inspecté et réparé périodiquement pour fonctionner correctement. Il est contraire à la réglementation fédérale d'utiliser ce poêle à bois d'une manière non conforme aux instructions d'utilisation de ce manuel.

Entretien

- Le fait de ne pas nettoyer ni entretenir cette unité tel qu'indiqué peut entraîner des performances faibles et des risques pour la sécurité.
- Débranchez le cordon électrique de votre poêle avant de retirer le panneau arrière ou d'ouvrir le système d'aspiration pour toute inspection, ou tout travail de nettoyage ou d'entretien.
- N'effectuez aucune inspection ou travail de nettoyage ou d'entretien sur un poêle chaud.
- N'utilisez jamais le poêle avec une vitre cassée, une fuite de gaz de combustion pourrait se produire.
- AVERTISSEMENT LE et la cheminée connecteur doit être maintenu en bon état et propre.

SYSTÈME D'ASPIRATION

Formation de créosote - Quand du bois brûle lentement, cela produit du goudron et d'autres vapeurs organiques, qui se combinent avec l'humidité expulsée pour former de la créosote. Les vapeurs de créosote se condensent dans le conduit de fumée relativement froid ou un feu récemment allumé ou à partir d'un feu se consommant lentement. Il en résulte que des résidus de créosote s'accumulent dans l'intérieur de la conduite. Une fois allumé, cette créosote crée un feu extrêmement chaud, qui peut endommager la cheminée voire détruire le domicile. En dépit de leur efficacité élevée, les poêles à granulés peuvent accumuler de la créosote dans certaines conditions.

Centres volantes - Elles s'accumulent dans la partie horizontale d'un conduit d'évacuation. Bien que non combustibles, elles peuvent entraîner le flux normal d'évacuation. Elles devront donc être évacuées périodiquement.

Inspection et retrait - Le raccord de cheminée et la cheminée devront être inspectés annuellement ou par tonne afin de déterminer si une accumulation de créosote ou de cendres volantes s'est produite. Si de la créosote s'est accumulée, elle devra être retirée afin de réduire le risque d'incendie dans la cheminée. Inspectez le système au niveau du raccordement du poêle et au-dessus de la cheminée. Les surfaces plus froides ont tendance à créer rapidement des dépôts de créosote, il est donc important de vérifier la cheminée aussi bien à partir du dessus que du dessous. La créosote devra être retirée avec une brosse conçue spécialement pour le type de cheminée utilisée. Un ramonneur qualifié peut effectuer ces travaux. Il est aussi recommandé qu'avant chaque saison de chauffage, le système complet soit inspecté, nettoyé et si nécessaire réparé par un professionnel. Pour nettoyer la cheminée, déconnectez le système de ventilation du poêle.

CHAMBRES INTÉRIEURES

Retirez et nettoyez régulièrement le pot de combustion et la zone à l'intérieur du boîtier du pot de combustion. En particulier, il est conseillé de nettoyer les trous dans le pot de combustion pour éliminer toute accumulation qui pourrait empêcher l'air de circuler librement dans le pot de combustion. Retirez les deux (2) plaques de chaque côté du boîtier du pot de combustion et nettoyez la chambre arrière. Si un aspirateur est utilisé pour nettoyer votre poêle, nous vous suggérons d'utiliser l'aspirateur AV15E AshVac. L'AV15E AshVac est conçu pour l'élimination des cendres. Certains aspirateurs ordinaires (c.-à-d. Aspirateurs d'atelier) peuvent laisser fuir des cendres dans la pièce.

Le chauffage est conçu pour ne brûler que des granulés de classe ordinaire après le 16 mai 2015. NE PAS BRÛLER :

1. Des ordures;
 2. Des déchets de fonte ou résidus de jardin;
 3. Des matériaux contenant du caoutchouc, incluant les pneus;
 4. Matériaux contenant du plastique;
 5. Des déchets de produits du pétrole, des peintures ou diluants à peinture, ou des produits d'asphalte;
 6. Matériaux contenant de l'amiante;
 7. Débris de construction ou de démolition;
 8. Traverses de voie ferrée ou bois traités sous pression;
- Attention: Le brûlage de ces matériaux peut causer des émissions de fumées toxiques ou rendre le chauffage inefficace en raison de la fumée.

PROCÉDURE DE MISE EN MARCHÉ

1. Vérifiez que la trémie soit propre et sans aucun corps étranger.
2. Vérifiez que tous les raccords/nécessaires d'évacuation/admission aient été effectués conformément aux instructions de ce manuel et que le poêle soit branché à une prise de courant (un parasurtenseur de courant est fortement recommandé).
3. Remplissez la trémie de granulés de bois ; ne laissez aucune partie du sac ou tout autre corps étranger dans la trémie, car cela pourrait bloquer la vis sans fin.
4. Assurez-vous que la surface d'étalement de la trémie soit libre de tout granulé.
5. Fermez le couvercle de la trémie. L'unité n'approvisionnera pas de combustible si le couvercle de la trémie est ouvert.
6. Assurez-vous que la porte d'inspection soit bien fermée (le pressostat de sécurité ne laissera pas le poêle approvisionner de combustible s'il n'y a pas de pression de tirage à l'intérieur du poêle).
7. Appuyez sur le bouton "ON" de la manette de contrôle et fixez le "Réglage du chauffage" au niveau souhaité.
8. Le poêle commencera à approvisionner du combustible et l'allumeur automatique allumera le combustible en moins de 5 minutes environ.

Une fois qu'une flamme constante a été établie, vous pouvez régler la «gamme de chaleur» et la «vitesse du ventilateur» sur le pavé de commande selon les paramètres souhaités. (Remarque: le ventilateur de distribution ne fonctionnera pas tant que l'échangeur de chaleur du poêle n'aura pas atteint la température préétablie en usine). Les tentatives pour atteindre des débits de chaleur supérieurs aux spécifications de conception du réchauffeur peuvent entraîner des dommages permanents au réchauffeur.

PREMIER FEU

Régler la «gamme de chaleur» et la «vitesse du ventilateur» sur un réglage de «3» et laissez le poêle fonctionner de cette manière pendant environ trois (3) heures (ou plus si nécessaire), ce qui permet au poêle de «sêcher» au fur et à mesure la peinture et les huiles du processus de fabrication brûlent. Nous vous recommandons d'ouvrir les portes et les fenêtres de votre maison pendant ce processus. Réglez le paramètre sur le paramètre souhaité.

AVERTISSEMENT: N'éteignez jamais cette unité en la débranchant de la source d'alimentation électrique.

PROCÉDURE D'ARRÊT

Appuyez sur le bouton «OFF» (Arrêt) de la manette de commande pour mettre le poêle en mode d'arrêt. À ce moment, le témoin rouge situé au-dessus de la manette s'allumera. Une fois cela fait, la vis sans fin cessera d'approvisionner des granulés, mais la soufflante de distribution et le ventilateur continueront de fonctionner. Lorsque la température interne de l'unité passe en dessous de la température préétablie en usine, la soufflante de distribution et le ventilateur cesseront de fonctionner. Le témoin rouge s'éteindra et l'unité sera complètement éteinte. Plus l'unité est chaude pendant le fonctionnement, plus cela prendra de temps au poêle de terminer son cycle d'arrêt. Si le poêle reste allumé pendant plus de 2 heures après avoir appuyé sur le bouton «OFF» et que vous êtes sûr que le feu soit éteint, le poêle peut être débranché de la prise de courant. Après approximativement 10 secondes, l'unité peut être reconnectée à la source électrique et le panneau de contrôle sera réinitialisé. Si un feu de cheminée ou de créosote se produit, appuyez immédiatement sur le bouton «OFF» (ARRÊT). Ne débranchez pas l'unité.

FONCTIONNEMENT QUOTIDIEN

- La trémie et le dessus du poêle seront chauds pendant l'utilisation ; par conséquent, vous devrez toujours utiliser une certaine protection au niveau des mains lorsque vous rechargerez le poêle en combustible.
- Ne placez jamais votre main près de la vis sans fin lorsque le poêle fonctionne.

Cette unité devra être remplie lorsque le niveau de la trémie passe en dessous de 3 pouces (7,6 cm). En cas de coupure de courant, le poêle ne fonctionnera pas. Il est très important que l'unité soit ventilée correctement (avec de l'air extérieur), car le débit naturel est nécessaire pour évacuer la fumée du poêle lors d'une coupure de courant. Si l'unité était en position «ON» (marche) lors de la coupure de courant, l'un des événements suivants aura lieu :

1. Si le poêle est encore chaud, il poursuivra l'approvisionnement en combustibles et continuera de fonctionner normalement. Si le feu s'est éteint, vous devrez appuyer sur le bouton «OFF» (arrêt) et ensuite de nouveau sur le bouton «ON» (marche) pour commencer une nouvelle séquence de mise en route.
2. Si le poêle a refroidi, il se réinitialisera à l'état «OFF» (arrêt). À ce moment-là, vous devrez appuyer sur le bouton «ON» (marche) et l'unité commencera une nouvelle séquence de mise en route.

Fonctionnement

PRÉPARATION DE L'UNITÉ

Après avoir débailé avec précaution et lu les instructions d'installation de votre poêle, vous devrez suivre les étapes suivantes:

- Fixez la poignée ressort fournie à la poignée de la porte en la vissant à l'emplacement correspondant.
- Raccordez d'abord le cordon électrique au dos du poêle ; puis branchez-le dans une prise de 110 volts (un para sur teneur de prise de courant est fortement recommandé).

RÉALISATION D'UN TEST INITIAL

Ce test est utilisé à l'usine lorsque les poêles sont assemblés pour tester la fonctionnalité de la commande et du poêle avant que l'unité ne soit expédiée. Pour réaliser ce test, appuyez et maintenez simultanément les boutons OFF (Arrêt) et AUGER DELAY (Retard de la vis sans fin) enfoncés pendant 3 secondes. Pour poursuivre le test, appuyez sur une touche sauf indiquée autrement dans l'étape du test.

1. Test de sortie du ventilateur d'évacuation - L'affichage indiquera "drtt". Le ventilateur d'évacuation est allumé à plein régime puis réduit à un niveau juste au-dessus du réglage typique minimum du pressostat. Le voyant DEL "ON" indique si le capteur de pression est détecté ou non. Si le manomètre n'est pas détecté, le ventilateur accélère jusqu'à plein régime pendant deux secondes puis retourne au niveau établi précédemment si le manomètre se ferme. Si le fusible du ventilateur de tirage n'a pas sauté et que le circuit de détection à fusible fonctionne, le voyant DEL "Draft Fan" du ventilateur de tirage sera allumé et les trois autres voyants de la rangée supérieure seront éteints.

2. Test de sortie du ventilateur de la pièce - L'affichage indiquera "rtan". Le ventilateur de la pièce se met en marche à plein régime. Si le fusible du ventilateur de la pièce n'a pas sauté et que le circuit de détection à fusible fonctionne, le voyant DEL du ventilateur de la pièce sera allumé et les trois autres voyants de la rangée supérieure seront éteints.

3. Test de sortie de l'igniteur - L'affichage indiquera "ignt". Le moteur de l'igniteur se met en marche à plein régime. Si le fusible de l'igniteur (AUX) n'a pas sauté et que le circuit de détection à fusible fonctionne, le voyant DEL "Aux" sera allumé et les trois autres voyants de la rangée supérieure seront éteints.

4. Test de sortie de la vis sans fin - L'affichage indiquera "augr". Le moteur de la vis sans fin se met en marche à plein régime. Si le fusible de la vis sans fin n'a pas sauté et que le circuit de détection à fusible fonctionne, le voyant DEL "Heat Range" du degré de chaleur sera allumé et les trois autres voyants de la rangée supérieure seront éteints.

5. Test de sortie de la trémie - L'affichage indiquera "hnp". Le voyant DEL "ON" (Marche) est allumé. Si l'interrupteur de la trémie est ouvert (couvercle ouvert), le voyant DEL "Heat Range" du degré de chaleur sera allumé. Si le couvercle est fermé, le voyant DEL "Heat Range" du degré de chaleur sera éteint.

6. Test d'entrée du thermostat - L'affichage indiquera "stat". Si l'entrée du thermostat est fermée, le voyant DEL "ON" s'allumera, sinon il sera éteint.

7. Test du thermidor de gaz de carne ou - L'affichage indiquera la température du gaz de carne en degrés F.

8. Test de fréquence CA - Affiche la fréquence CA mesurée en Hertz (59-60) suivie de la lettre "H".

9. Ré initialisation de l'horloge de surveillance - L'horloge de surveillance est testée pour garantir que la carte puisse être réinitialisée. Le message "BYE" est affiché jusqu'à ce que l'horloge de surveillance réinitialise la carte.

RÉALISATION D'UN « FONCTIONNEMENT À VIDE »

Réalisez un «fonctionnement à vide» de votre poêle avant d'effectuer les raccordements de l'évacuation/admission et de démarrer votre poêle pour la première fois.

1. Vérifiez qu'il n'y ait aucun combustible et AUCUNE substance étrangère dans la trémie ou le pot de combustion.

2. Vérifiez que la porte d'inspection et le couvercle de la trémie soient fermés correctement.

3. Appuyez sur le bouton «ON» du panneau de contrôle. Vérifiez que le voyant DEL «ON» soit allumé (clignotement) et que l'affichage indique HR-1. De plus, le voyant DEL situé au-dessus de HEAT RANGE et l'indicateur MODE AUTO devront être allumés. Si un/d'autre(s) voyant(s) est/ont allumé(s) ou clignote(nt), consultez les «indicateurs d'affichage» dans ce manuel.

4. Vous devrez entendre le ventilateur d'évacuation (tirage) fonctionner immédiatement et la vis sans fin devra commencer à tourner en continu pendant 1 minute.

5. Allumeur automatique du combustible (situé à l'intérieur de la paroi arrière du pot de combustion) devra commencer à luire en rouge/orange après 3 minutes.

6. Le ventilateur de la pièce ne fonctionnera pas à ce moment-là car l'unité doit atteindre la température prééglée en usine.

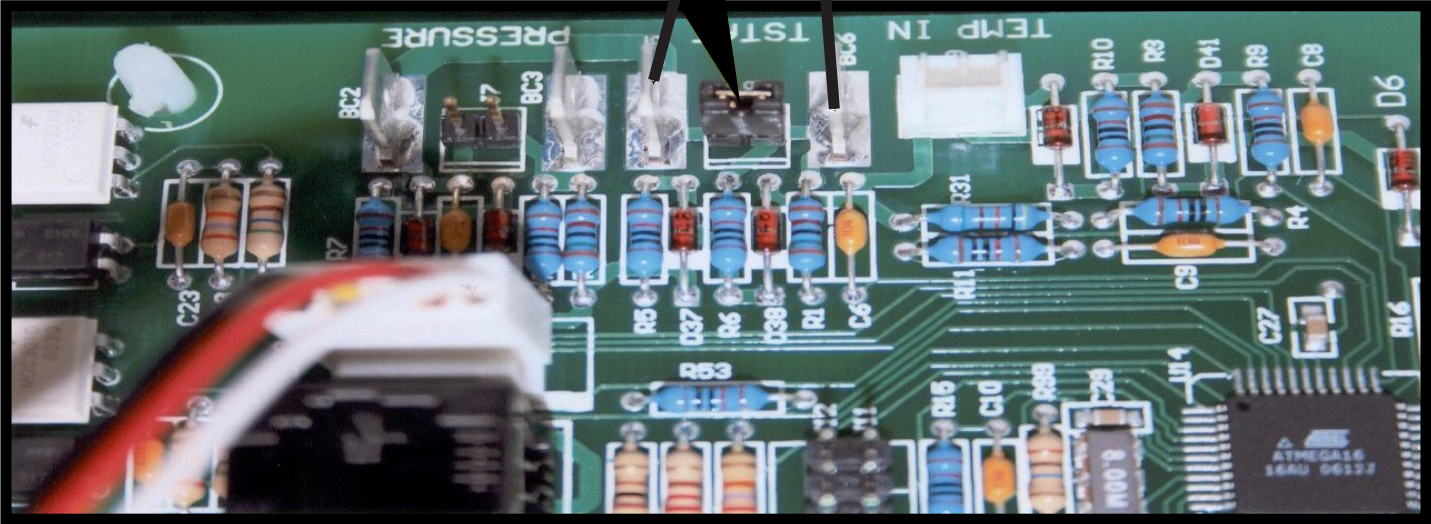
N'ouvrez pas la porte d'inspection, l'allumeur automatique deviendra très chaud pendant ce test. Le poêle s'éteindra automatiquement après environ 23 minutes.

- N'UTILISEZ PAS DE PRODUITS CHIMIQUES NI DE FLUIDES POUR DÉMARRER LE FEU - N'utilisez pas d'essence, de combustible pour lanterne à essence, de kérosène, de liquide d'allumage de charbon ou de liquides similaires pour démarrer ou « raviver » un feu dans ce poêle. Maintenez tous ces liquides bien à l'écart du poêle lorsqu'il est utilisé.
- CHAUD DURANT LE FONCTIONNEMENT. MAINTENEZ LES ENFANTS, LES VÊTEMENTS ET LE MOBILIER ÉLOIGNÉS. TOUT CONTACT PEUT ENTRAÎNER DES BRÛLURES.
- NE PAS UTILISER DES GRILLES OU SURÉLÉVER LE FEU. CHAUD EN FONCTIONNEMENT. GARDEZ LES ENFANTS, LES VÊTEMENTS ET LES MEUBLES À L'ÉCART. LE CONTACT PEUT CAUSER DES BRÛLURES.

Vue d'ensemble du panneau de contrôle

<p>La mise en marche et l'arrêt du système de chauffage, ainsi que les réglages du taux d'approvisionnement en combustible et de la vitesse du ventilateur de la pièce sont réalisés en appuyant sur le(s) bouton(s) approprié(s) du panneau de contrôle qui se trouve(nt) sur le côté inférieur gauche de votre système de chauffage. Cette unité peut basculer entre un fonctionnement automatique ou un fonctionnement manuel. Le régulateur fonctionne par défaut en mode automatique.</p>	<p>Appuyer sur le bouton «ON» du panneau de contrôle démarra la séquence de mise en marche du système de chauffage. Le combustible commencera à être allumé grâce au système d'approvisionnement à vis sans fin puis s'allumera après environ 5 minutes. Appuyer sur le bouton «OFF» du panneau de contrôle fera entrer le système de chauffage dans sa séquence d'arrêt. Le système de chauffage s'arrêtera et le feu sera éteint combustible à partir de la vis sans fin et, une fois que le feu sera éteint et le système de chauffage refroidit, les ventilateurs s'arrêteront de fonctionner.</p>	<p>Degré De Chaleur</p> <p>Appuyer sur les flèches vers le haut et vers le bas «Heat Range» (Niveau de chaleur) permet de régler la quantité de combustible qui est approvisionnée au pot de combustion.</p>	<p>Ventilateur De Tirage</p> <p>Le ventilateur de tirage (évacuation) s'allumera dès que le bouton «ON» sera pressé. Le ventilateur réglera automatiquement sa vitesse conformément au réglage du niveau de chaleur. Cependant, cette vitesse peut être réglée manuellement en appuyant sur les flèches haut et bas du ventilateur de tirage (Draft Fan). Lorsque le bouton «Draft Fan» (ventilateur de tirage) est appuyé, l'affichage indiquera «Df-A», qui est automatique. Appuyez de nouveau sur les flèches pour régler la vitesse du ventilateur. Quand le système de chauffage est en mode manuel, le thermostat en option ne contrôlera pas correctement l'unité. Lorsque vous ajustez le réglage du ventilateur de tirage, essayez seulement 1 réglage au-dessus ou en dessous du réglage de chaleur. Il est préférable de laisser le poêle en mode automatique.</p>	<p>Ventilateur De La Pièce</p> <p>Le ventilateur de la pièce s'allumera une fois que l'unité aura atteint la température de fonctionnement. En appuyant sur les boutons «Room Fan» du ventilateur de la pièce, l'affichage indiquera «Rf-A», ce qui correspond à automatique ou «Rf-1» à «Rf-9» pour les réglages manuels. En mode auto, la vitesse du ventilateur de la pièce sera automatiquement réglée conformément au réglage du niveau de chaleur. En appuyant sur les flèches haut et bas «Room Fan» du ventilateur de la pièce, vous pouvez régler le réglage de la vitesse du ventilateur jusqu'à «Rf-9». Le ventilateur de la pièce doit fonctionner à un niveau supérieur ou égal au réglage du niveau de chaleur.</p>	<p>Aux - Utilisé Pour Réinitialiser Le Poêle Aux Réglages D'usine</p> <p>Pour réinitialiser le poêle à ses réglages originaux d'usine, appuyez et maintenez enfoncés simultanément les boutons AUX UP et AUX DOWN pendant 3 secondes.</p>	<p>Auger Delay (Retardement De La Vis Sans Fin)</p> <p>Le bouton «Auger Delay» peut être utilisé pour mettre en pause la rotation de la vis sans fin pendant environ 1 minute. Cela peut être annulé en appuyant sur le bouton «ON». Le «Retardement de la vis sans fin» est normalement utilisé pendant le cycle de mise en route pour ralentir l'approvisionnement en combustible pendant l'allumage initial.</p>	<p>Mode</p> <p>Le bouton «Mode» est utilisé pour basculer entre le mode manuel et le mode automatique. En mode automatique, les ventilateurs et la vis sans fin fonctionneront aux intervalles prédéfinis à moins qu'ils ne soient modifiés manuellement en utilisant les boutons indiqués ci-dessus. En mode manuel, le ventilateur de tirage (évacuation) fonctionnera à vitesse maximale (100%).</p>	<p>Lors du fonctionnement normal, l'unité est constamment surveillée pour détecter des problèmes. Dans le cas d'une erreur, l'unité s'arrêtera et une erreur sera affichée. Consultez la liste des codes d'erreur qui se trouve à la fin de ce manuel.</p>
--	--	--	--	---	---	---	---	--

Raccordement Du Thermostat

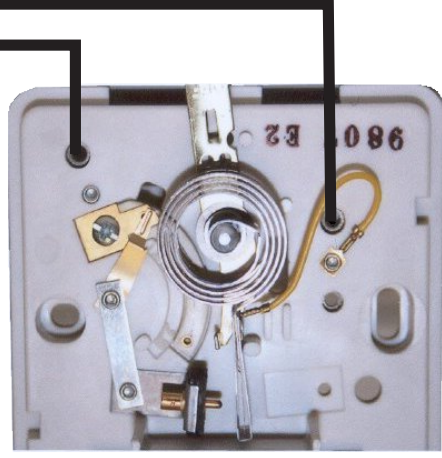
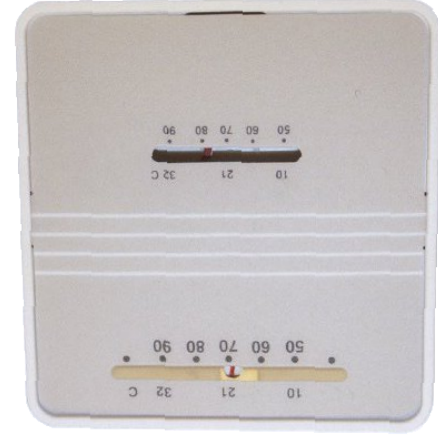


Le cavalier doit être enlevé en premier

1. Placez les bornes femelles sur les fils conducteurs de votre thermostat basse tension.
2. Branchez un fil de thermostat sur chacun des bornes du circuit imprimé.

REMARQUE IMPORTANTE: L'objet du T'Stat est de faire en sorte que le poêle se programme entre le réglage présélectionné de la plage de chaleur désirée («1» à «5») et le réglage de la plage de chaleur minimale de «1». **Le T'Stat n'allumera ni ne éteindra le poêle.** Lorsque la température ambiante souhaitée est atteinte et que le T'Stat n'a plus besoin de chaleur, le réglage de la plage de chauffage minimale est défini sur «1». **L'unité ne s'éteindra pas complètement.** Une fois que la température ambiante a baissé et que le T'Stat a besoin de plus de chaleur, l'appareil commencera à alimenter les granulés avec le réglage de chaleur présélectionné allant de «1» à «5».

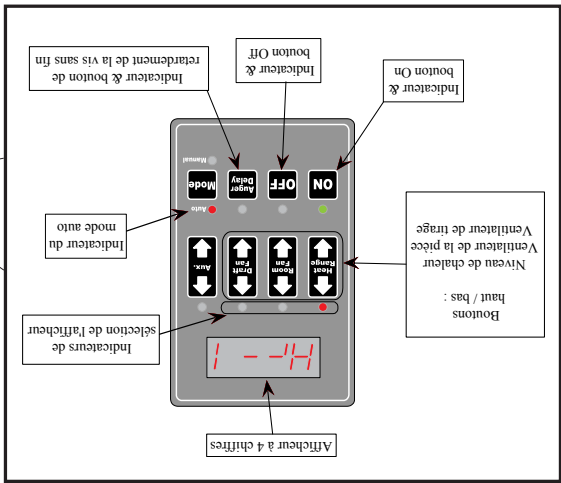
Utiliser 18 jauge, fil à 2 conducteurs



Comprendre votre poêle

COMMENT FONCTIONNE VOTRE POÊLE

Votre poêle à granulés utilise un système d'alimentation du combustible à vis sans fin inclinée qui est commandé par un circuit imprimé numérique contrôle par microprocesseur. Le circuit imprimé numérique permet au système d'alimentation du combustible à vis sans fin d'effectuer des cycles de fonctionnement continus de 5 à 10 minutes en appuyant sur le bouton ON (Marche). Quand les granulés entrent dans le pot de combustion puis est aspiré à travers l'échangeur de chaleur par un moteur d'évacuation ou un ventilateur. Quand le poêle chauffe, l'air ambiant circule autour de l'échangeur de chaleur grâce à un ventilateur d'air ambiant, répartissant l'air chaud dans la pièce. La quantité de chaleur produite par le poêle est proportionnelle au taux de combustion qui est brûlé, et ce taux fourni à la chambre de combustion par le ventilateur d'évacuation ou de tirage doit être maintenu de façon précise. Pas assez d'air provoque une flamme peu énergétique ou faible. Si le combustible continue d'être approvisionné avec trop peu d'air pendant une durée suffisante, le pot de combustion se remplira avec trop de combustible et le feu s'éteindra. Trop d'air provoquera une flamme hyperactive ou agressive. La flamme dans cette situation est généralement très bleue à la base et ressemble à celle d'un chalumeau. Si cette situation persiste, le combustible dans le pot de combustion sera consommé et le feu s'éteindra. Faire correspondre la quantité d'air nécessaire pour une bonne combustion avec le taux de combustible est l'objectif principal de la combustion efficace des granulés de marques et qualités différentes à l'intérieur de votre poêle. Le rapport air/combustible peut être réglé pour permettre que presque n'importe quelle qualité de combustible brûle efficacement en respectant les procédures détaillées dans le reste de ce manuel. Comme une pression de tirage forcée est nécessaire au processus de combustion à l'intérieur de votre poêle, il est extrêmement important que le système d'évacuation soit installé correctement et maintenu. Et, que lors du fonctionnement de votre poêle, vous assuriez que la porte d'inspection soit correctement scellée.



PANEL / TÉLÉCOMMANDES

Le fonctionnement de cet appareil peut être contrôlé depuis le panneau situé sur le côté du poêle et / ou par la télécommande. Les fonctions de contrôle sont les suivantes:

A. INTERRUPTEUR MARCHÉ / ARRÊT (BOUTON "ALIMENTATION")

- Une fois poussé, le poêle s'allume automatiquement. Aucun autre allume-feu n'est nécessaire. L'allumeur restera allumé pendant au moins 10 et jusqu'à 12 minutes, selon le moment où la preuve de tir est atteinte. L'incendie devrait commencer dans environ 5 minutes.
- Après avoir appuyé sur "POWER", le moteur de la vis est activé pendant 3,5 minutes, éteint pendant 1 minute. Pendant le reste de la période de démarrage, le moteur de la vis sans fin fonctionne sur le réglage "1" de la plage de chaleur.
- Pendant le démarrage, l'avance du niveau de chaleur (touches Haut et Bas) modifie le niveau de l'indicateur de plage de chaleur en conséquence, mais il n'y a aucun changement dans les conditions de fonctionnement du poêle avant la fin du démarrage.
- Lors de la mise en marche, l'allumage doit avoir lieu dans les 12 minutes ou le poêle émettra une erreur et affichera E3.
- Pendant la phase de démarrage, la touche Mode ne fonctionne pas.

B. GAMME DE CHALEUR BOUTONS DE FLECHE

- Ces boutons, une fois poussés, permettent de régler le débit d'alimentation en granulés, d'où la puissance calorifique ou la plage de chaleur de votre poêle. Lors de l'utilisation de la télécommande manuelle, cette fonction peut être effectuée avec les touches "Haut / Bas".
- Les niveaux de sortie de chaleur changent de manière incrémentielle sur le diagramme à barres en commençant par la plage de chaleur "1" jusqu'à la plage de chaleur "5".



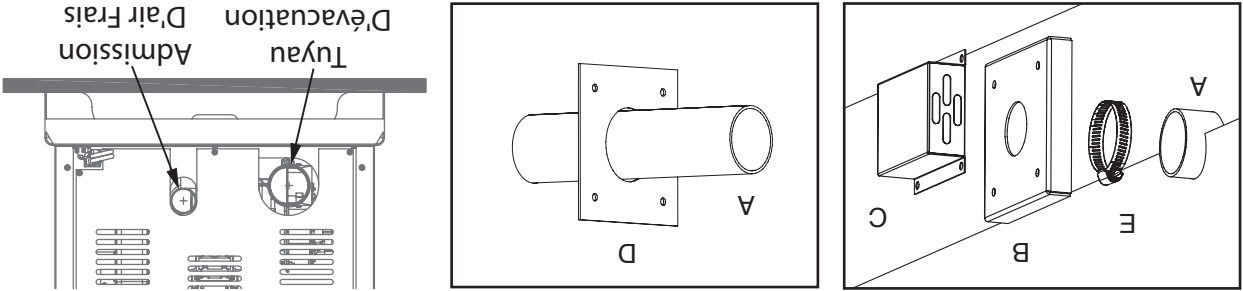
INSTALLATION À TRAVERS LE TOIT/PLAFOND

Lors de l'aération du poêle à travers le plafond, le tuyau est raccordé de la même façon qu'à travers la paroi, à l'exception du raccord en T du regard qui est toujours à l'intérieur de la maison, et un adaptateur de 3 pouces (76mm) est ajouté avant le T du regard. Vous devez utiliser les platines supports appropriées du plafond et le chaperon de toiture (fournis par le fabricant de tuyaux) : respectez les indications du fabricant de tuyaux. Il est important de remarquer que si votre section verticale de tuyau est supérieure à 15 pieds (4,57m), le diamètre du tuyau de ventilation du poêle devra être augmenté de 4 pouces (102mm). Ne dépassez pas 4 pieds (1,22m) de tuyau dans une section horizontale et utilisez le moins de coudes que possible. Si un décalage est nécessaire, il est préférable d'installer des coudes à 45 degrés qu'à 90 degrés.

69FAK APPROVISIONNEMENT EN AIR EXTÉRIEUR (EN OPTION)

En fonction de la construction de votre domicile et de son emplacement, de l'air venant de l'extérieur peut être nécessaire afin d'obtenir des performances optimales.

1. Avec le poêle en position de fonctionnement, marquez et percez un trou pour accueillir le tuyau flexible de 2 po. Insérez le tuyau dans le mur et fixez le couvercle extérieur avec l'un des colliers de serrage de 2 po fournis.
2. Fixez ensuite le couvercle extérieur au mur extérieur.
3. Fixez le couvercle extérieur au couvercle extérieur à l'aide de quatre (4) des vis # 10 x 3/4 fournies.
4. À l'intérieur de la maison, faites glisser la plaque intérieure sur le tube, puis fixez-la au mur avec les quatre chevilles et vis fournies.
5. Sur le tube d'entrée d'air sortant du foyer, il y a un capuchon qui doit avoir quatre (4) trous de 5/32 po (0,156) de diamètre percés pour l'installation d'air frais. Le capuchon se trouve à l'avant du tube juste sous le pot de combustion. Retirez le pot de combustion. À l'aide d'un tournevis long ou équivalent, faites tomber le couvercle en l'insérant à l'arrière du poêle et en picorant avec un marteau. Percez des trous, puis remettez le capuchon et le pot de combustion. Attachez l'un des tuyaux flexibles de 2 po à l'arrière du foyer, puis au tuyau d'entrée d'air à l'arrière du poêle, comme illustré.
6. Fixez le tuyau flexible de 2 po à l'entrée d'air à l'arrière du poêle. Fixez en utilisant l'autre collier de serrage de 2 po. Le tuyau s'étendra jusqu'à 4 pieds de longueur.

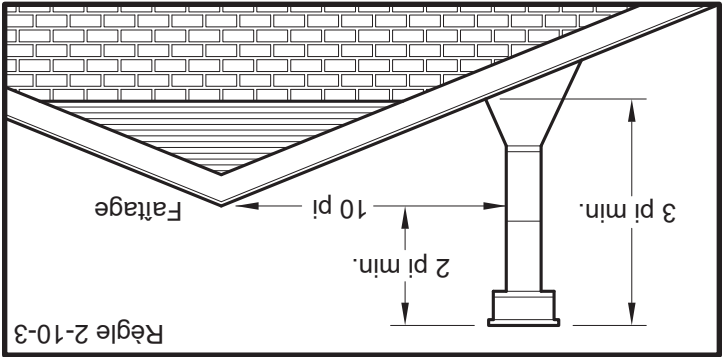
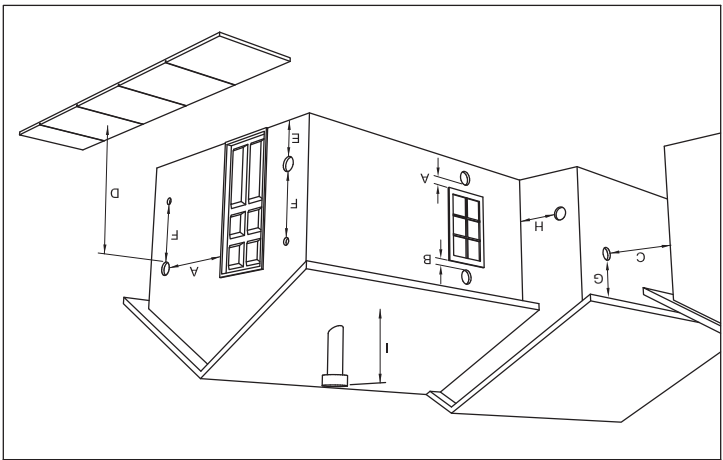


EXIGENCES SPÉCIALES POUR MAISON MOBILE - INSTALLATION AUX É.-U. UNIQUEMENT

- **AVERTISSEMENT !** - Ne pas installer dans une chambre à coucher
- **ATTENTION !** - L'intégrité structurelle du plancher, des parois et du plafond/toit de la maison mobile doit être maintenue.
- Un détecteur de fumée fonctionnel doit être installé dans la même pièce que ce produit.
- Il doit être installé à au moins 15 pieds (4,57 m) de l'appareil afin d'éviter le déclenchement injustifié du détecteur lors du rechargement.
- En plus des exigences d'installation détaillées précédemment, les installations pour maison mobile doivent répondre aux exigences suivantes:
 - Le radiateur doit être bouonné en permanence au sol par les trous prévus dans la base.
 - Le radiateur doit être électriquement mis à la terre au châssis en acier de la maison mobile avec du fil de cuivre 8 GA à l'aide d'une rondelle dentelée ou en étoile pour pénétrer la peinture ou le revêtement de protection pour assurer la mise à la terre.
 - L'évent doit être de 3 ou 4 pouces «PLV» et doit dépasser d'au moins 36 po (9'14 mm) au-dessus de la ligne de toit de la maison mobile et doit être installé à l'aide d'un coupe-feu de plafond certifié et d'un pare-pluie.
 - Lors du déplacement de votre maison mobile, toute ventilation extérieure doit être retirée pendant le déplacement de la maison mobile. Après la relocalisation, toute la ventilation doit être réinstallée et solidement fixée.
 - L'air extérieur est obligatoire pour l'installation d'une maison mobile. Consultez votre revendeur pour l'achat.
 - Vérifiez auprès des responsables locaux de la construction car d'autres codes peuvent s'appliquer.

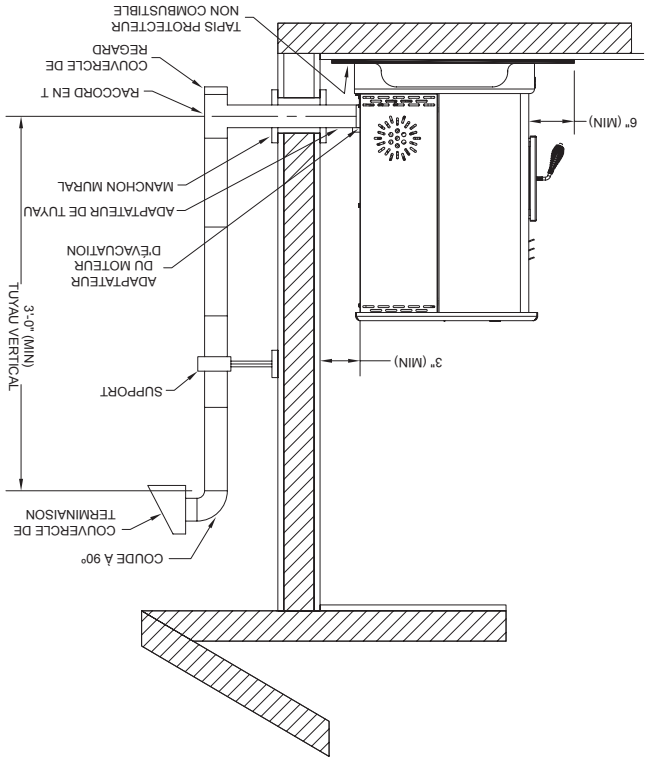
DÉGAGEMENTS DE L'ÉVACUATION DE TIRAGE

- Dégagement minimum de 4 pieds (1,22m) sous et à côté d'une porte ou d'une fenêtre qui s'ouvre.
- Dégagement minimum d'1 pied (0,3m) au-dessus d'une porte ou d'une fenêtre qui s'ouvre.
- Dégagement minimum de 3 pieds (0,91m) à partir de toute construction adjacente.
- Dégagement minimum de 7 pieds (2,13m) de tout passage lorsqu'il est adjacent à des allées publiques.
- Dégagement minimum de 2 pieds (0,61 m) au-dessus de toute pelouse, plates ou autres matières combustibles.
- Dégagement minimum de 3 pieds (0,91m) de l'admission d'air forcé de tout appareil.
- Dégagement minimum de 2 pieds (0,61 m) en-dessus d'un avant-toit ou d'un surplomb.
- Dégagement minimum d'1 pied (0,3m) horizontalement à partir d'un mur combustible.
- Doit respecter un dégagement de 3 pieds (0,91m) au-dessus du toit et de 2 pieds (0,61m) au-dessus du point le plus élevé ou du toit de moins de 10 pieds.



INSTALLATION À TRAVERS LA PAROI (INSTALLATION RECOMMANDÉE)

Les installations canadiennes doivent être conformes à la norme CAN/CSA-B365. Pour ventiler l'unité à travers la paroi, raccordez l'adaptateur de conduite à l'adaptateur du moteur d'évacuation. Si l'adaptateur d'évacuation est situé à moins de 18 pouces (457mm) au-dessus du niveau du sol, une partie droite de conduite de ventilation pour granulés peut être utilisée à travers le mur. Votre revendeur d'appareils de chauffage devra être capable de vous fournir un kit qui gèrera la grande partie de cette installation, celui-ci devra comprendre un manchon mural qui permettra d'obtenir le dégagement correct à travers le mur combustible. Une fois hors de la structure, un dégagement de 3 pouces (76mm) devra être respecté avec le mur extérieur et un raccord en T de regard devra être placé sur le tuyau avec une sortie à 90 degrés hors de la maison. À ce point, une partie de tuyau de 3 pieds (0,91m) (minimum) devra être ajoutée avec un couvercle horizontal, qui devra terminer l'installation (voir FIGURE 7). Un support devra être placé juste en dessous du couvercle de terminaison ou un tous les 4 pieds (1,22m) pour rendre le système plus stable. Si vous vivez dans une région avec d'importantes chutes de neige, il est recommandé que l'installation soit plus haute de 3 pieds (0,91 m) pour se situer au-dessus de la ligne d'amas de neige. Cette même installation peut être utilisée si votre poêle est situé en dessous du niveau du sol en ajoutant simplement la partie du regard et le tuyau vertical à l'intérieur jusqu'à ce que le niveau du sol soit atteint. Avec cette installation, vous devez faire attention à la ligne d'amas de neige, la pelouse et les feuilles mortes. Nous recommandons une élévation verticale minimum de 3 pieds (0,91 m) à l'intérieur ou à l'extérieur de la maison. L'installation « à travers la paroi » est l'installation la plus économique et la plus simple. Ne terminez jamais la bouche d'aération finale sous une terrasse, dans une alcôve, sous une fenêtre ou entre deux fenêtres. Nous recommandons des kits Simpson Dura-Vent® ou Metal-Fab®.



EXIGENCES DE VENTILATION

- Installez la ventilation avec les dégagements indiqués par le fabricant du système de ventilation.
- Ne raccordez pas la ventilation des grilles à une ventilation utilisée par un autre appareil ou poêle.
- N'installez pas un registre de carneau dans le système de ventilation afin d'être respectées pour assurer la conformité avec la liste de sécurité de ce poêle et les codes locaux de construction. N'utilisez pas de méthodes de réparation sommaires et ne compromettez pas l'installation.

IMPORTANT ! Cette unité est équipée d'un système de tirage négatif qui aspire l'air à travers le pot de combustion et pousse l'air d'évacuation hors de l'habitation. Si cette unité est raccordée à un système de carneau différent de la méthode expliquée dans ce manuel, elle ne fonctionnera pas correctement.

DISTANCE MAXIMUM DE TIRAGE

L'installation DOIT comprendre au moins un tube vertical de 3 pieds à l'extérieur de la maison. Cela créera un tirage naturel qui réduira la possibilité de fumées ou d'odeurs lors de l'arrêt de l'appareil et évitera que l'évacuation n'entraîne des nuisances ou des dangers en exposant les personnes ou la végétation à des températures élevées. La hauteur maximale de ventilation recommandée est de 12 pieds pour une ventilation de type «RL» de 3 pouces. La longueur totale de ventilation horizontale ne doit pas dépasser 4 pieds. Cela pourrait entraîner une contre-pression. N'utilisez pas des coudes de plus de 180 degrés (deux coudes de 90 degrés ou deux coudes de 45 degrés et un coude de 90 degrés, etc.) pour maintenir un tirage approprié.

IMPORTANT D'UN TIRAGE ADÉQUAT

Le tirage est une force déplaçant l'air de l'appareil vers la cheminée. La quantité de tirage dans votre cheminée dépend de sa longueur, son emplacement géographique local, les obstructions à proximité et autres facteurs. Trop de tirage peut causer des températures excessives dans l'appareil. Un tirage inadéquat peut causer des retours de fumée dans la pièce et causer l'obstruction de la cheminée. Un tirage inadéquat causera des fuites de fumée par l'appareil dans la pièce, s'infiltrant par l'appareil, et les joints du conduit de raccordement. Un brûlage incontrôlable ou une température excessive indiquée un tirage excessif. Tenez compte de l'emplacement de la cheminée pour veiller à ce qu'elle ne soit pas trop près des voisins ou dans une vallée pouvant causer des conditions malsaines ou nuisibles.

TYPE DE TIRAGE D'AIR POUR GRANULÉS

Un système d'évacuation de type «RL» de 3 ou 4 pouces liste UL doit être utilisé pour l'installation et connecté au raccord de conduite fourni au dos du poêle (utilisez un adaptateur de 3 à 4 pouces pour le tuyau de 4 pouces). Le raccordement à l'arrière du poêle doit être scellé en utilisant un produit vulcanisé (RTV) pour températures élevées. Utilisez une ventilation de 4 pouces si la hauteur de ventilation est supérieure à 12 pieds ou si l'installation se trouve à plus de 500 pieds au-dessus du niveau de la mer. Nous recommandons l'utilisation d'un tuyau Simpson Dura-Vent® ou Metal-Fab® (si vous utilisez un autre tuyau, consultez les codes locaux de construction et/ou les inspecteurs des bâtiments). N'utilisez pas de tuyau de ventilation de gaz de type B ou de tuyau galvanisé avec cette unité. Le tuyau de ventilation pour granulés est conçu pour être démonté pendant le nettoyage et devra être vérifié plusieurs fois pendant la saison de chauffage. Le tuyau de ventilation pour granulés n'est pas fourni avec l'unité et doit être acheté séparément.

INSTALLATION DE TIRAGE D'AIR POUR GRANULÉS

L'installation doit comprendre un raccord en T de regard pour permettre la collecte des cendres volantes et le nettoyage périodique du système d'évacuation. Les coudes à 90 degrés accumulent les cendres volantes et la suie, réduisant par conséquent le flux d'évacuation et les performances du poêle. Chaque coude ou raccord en T réduit le tirage potentiel de 30% à 50%. Tous les joints du système de ventilation doivent être fixés avec au moins 3 vis et tous les joints doivent être scellés avec un produit d'étanchéité à la silicone RTV pour hautes températures afin d'être hermétiques. La zone où le tuyau de ventilation pénètre à l'extérieur du domicile doit être scellée avec de la silicone ou tout autre moyen afin de maintenir le pare-vapeur entre l'extérieur et l'intérieur du domicile. Les surfaces de ventilation peuvent devenir suffisamment chaudes pour provoquer des brûlures si des enfants les touchent. Des protections ou des écrans non-combustibles peuvent être nécessaires.

EVACUATION DE TIRAGE POUR GRANULÉS

Ne terminez pas la ventilation dans une zone confinée ou semi-confinée, telle que : un abri d'auto, un garage, un grenier, un vide sanitaire, sous une terrasse ou un porche, un passage étroit ou tout autre lieu qui peut accumuler une concentration de fumées. La terminaison doit s'évacuer au-dessus de l'élevation d'admission de l'air extérieur. La terminaison ne doit pas être située dans un endroit où elle sera obstruée par la neige ou d'autres matériaux. Ne terminez pas la ventilation dans une cheminée en acier ou en maçonnerie existante.

Installation

OPTIONS D'INSTALLATION

Lisez l'intégralité de ce manuel avant d'installer et d'utiliser votre poêle à granulés. Le non-respect des instructions peut entraîner des dommages matériels, des blessures corporelles ou même la mort, voir les détails d'installation spécifiques pour les dégagements et autres exigences d'installation.

Unité autoportante - soutenue par un piédestal / des pieds et placée sur une surface de plancher incombustible conformément aux exigences de dégagement pour une installation de poêle autoportant.

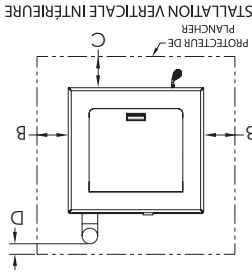
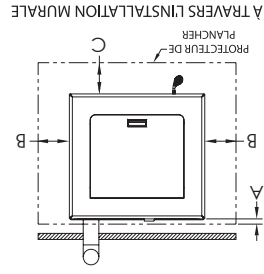
Unité d'alcôve - soutenue par un piédestal / des pieds et placée sur une surface de plancher incombustible conformément aux exigences de dégagement pour une installation en alcôve.

Votre poêle à granulés peut être installé pour coder dans une maison conventionnelle ou mobile (États-Unis uniquement), voir «Exigences spéciales pour les maisons mobiles». Il est recommandé que seul un technicien agréé installe votre poêle à granulés, de préférence un spécialiste certifié NFI.

INSTALLATION INCORRECTE : Le fabricant ne sera pas tenu responsable des dommages causés par un dysfonctionnement du poêle dû à une ventilation ou une installation incorrecte. Appelez le (800) 750-2723 et/ou consultez un installateur professionnel si vous avez la moindre question.

PROTECTION DU SOL

Cet appareil doit être installé sur une surface de plancher incombustible. Si un coussin de sol est utilisé, il doit être certifié ou équivalent. Le plancher ou la surface incombustible doit être suffisamment grand pour s'étendre sur au moins 6 po (153 mm) à l'avant, 6 po (153 mm) de chaque côté et 1 po (26 mm) derrière le poêle. La protection du plancher doit s'étendre sous et 2 po (51 mm) de chaque côté du té de cheminée pour une installation verticale intérieure. Un protecteur de plancher de 1 po (26 mm) d'épaisseur est recommandé pour cette installation. Les installations canadiennes nécessitent 18 po (450 mm) devant l'unité.



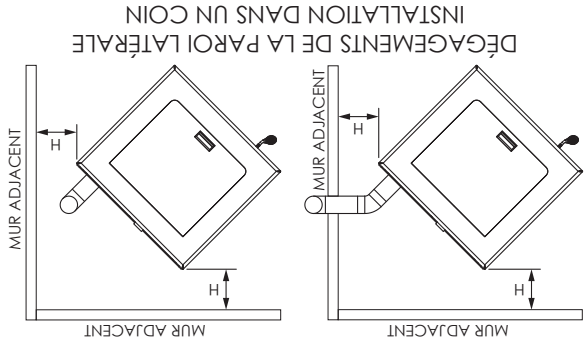
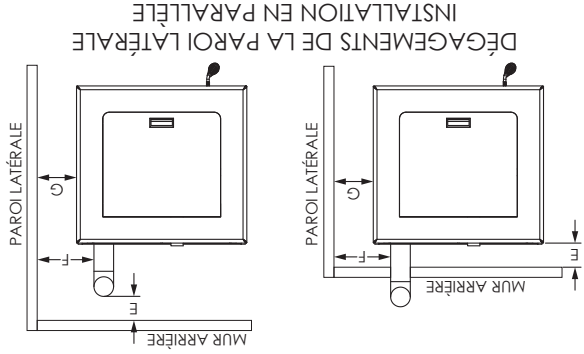
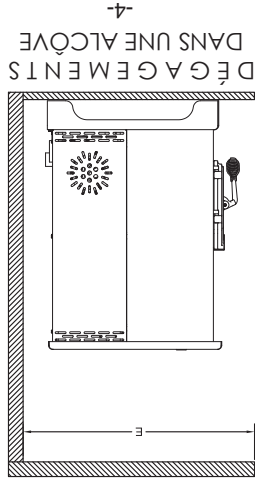
Dimensions		po	mm
A	Arrière (à travers le mur)	1	25
B	Côté	6	152
C	De face	*6	*152
D	Arrière (intérieur vertical)	2	50

* L'installation au Canada nécessite 18 po (450 mm) devant l'unité.

DÉGAGEMENTS

Cet appareil doit être installé sur une surface de plancher incombustible. Si un coussin de sol est utilisé, il doit être certifié ou équivalent. Le plancher ou la surface incombustible doit être suffisamment grand pour s'étendre sur au moins 6 po (153 mm) à l'avant, 6 po (153 mm) de chaque côté et 1 po (26 mm) derrière le poêle. La protection du plancher doit s'étendre sous et 2 po (51 mm) de chaque côté du té de cheminée pour une installation verticale intérieure. Un protecteur de plancher de 1 po (26 mm) d'épaisseur est recommandé pour cette installation. Les installations canadiennes nécessitent 18 po (450 mm) devant l'unité.

		po	mm
E	Mur arrière à l'unité	2	50
F	Paroi latérale au carneau	13	330
G	Paroi latérale au bord supérieur de l'unité	8	203
H	Mur adjacent à l'unité	8	203
J	Profondeur de l'alcôve	36	914



Spécifications

Heating Specifications	
Vitesse de combustion du combustible*	1,5 - 5 lbs./hr. (0,7 - 2,3 kg/hr)
Temps de combustion (réglage le plus bas)	80 hrs.
Capacité de la trémie	130lbs. (59kg)

* La taille des granulés peut affecter le taux réel d'approvisionnement en combustible et les durées de combustion. Les taux d'approvisionnement en combustible peuvent varier jusqu'à 20%. Utilisez les combustibles agréés PFI pour de meilleurs résultats.

Dimensions	
Hauteur	34 po (864mm)
Largeur	26 po (660mm)
Profondeur	26 po (66mm)
Poids	1,210 lbs. (95,5kg)

Spécifications électriques	
Caractéristiques électriques	110-120 volts, 60 HZ, 3 Amps
Watts (en fonctionnement)	175 (approx.)
Watts (fonctionnement de l'allumeur)	425 (approx.)

CONSIDÉRATIONS RELATIVES AU COMBUSTIBLE

Votre poêle à granulés est conçu pour brûler des granulés de bois dur de qualité supérieure conformes aux normes du Pellet Fuels Institute (PFI) (minimum de 40 lb par pied cube, diamètre de 1/4 à 5/16 po, longueur non supérieure à 1,5 moins de 8 200 BTU / lb, humidité inférieure à 8% en poids, cendres inférieure à 1% en poids et sel inférieure à 300 parties par million). Les granulés mous, contenant une quantité excessive de sciure de bois en vrac, qui ont été ou sont mouillés, réduiront les performances. Rangez vos pellets dans un endroit sec. NE stockez PAS le carburant dans les dégagements d'installation de l'appareil ou dans l'espace requis pour faire le plein et enlever les cendres. Cela pourrait provoquer un incendie.

SÉCURITÉ ET CONFORMITÉ EPA

Votre poêle à pellets a été testé et répertorié conformément aux normes ASTM E1509-12 (2017), UL-C-5627-00. Ce manuel décrit l'installation et le fonctionnement du poêle à granulés Ashley modèle AP130. Cet appareil de chauffage respecte les limites d'émission de bois en vigueur aux États-Unis en vertu de l'Environmental Protection Agency des États-Unis pour les appareils de chauffage au bois vendus après le 15 mai 2020. Dans des conditions de test spécifiques à l'EPA, l'utilisation de pellets de bois pour brûler cet appareil de chauffage a permis de générer de la chaleur à un débit de 8 932 à 25 701 Btu / h. Ce dispositif de chauffage a atteint un taux d'émission de particules de 1,3 g / h lorsqu'il a été testé selon la méthode ASTM E 2779 / EPA, méthode 28R et 64% d'efficacité.

AVERTISSEMENT: Il est contre les règlements fédéraux pour faire fonctionner ce poêle à bois d'une manière incompatible avec les instructions d'utilisation dans le manuel du propriétaire.

Remarque: Enregistrez votre produit en ligne sur www.usstove.com. Enregistrez votre reçu avec vos dossiers pour toute réclamation.

Précautions de sécurité

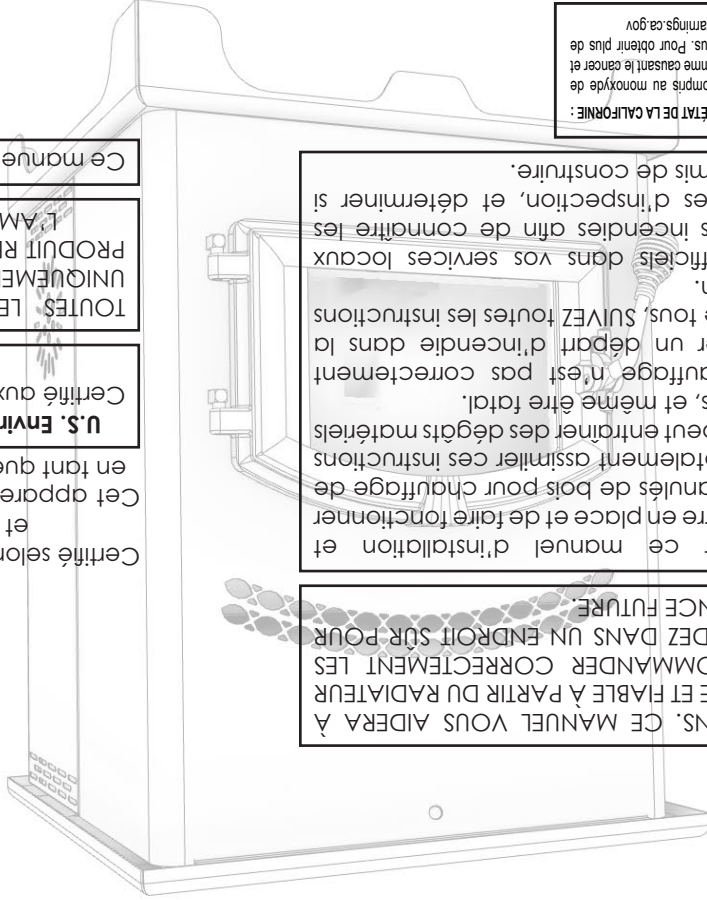
- IMPORTANT: Lisez entièrement ce manuel avant d'installer et d'utiliser ce produit. Ne pas le faire peut entraîner des dommages matériels, des blessures personnelles voire la mort. L'installation correcte de ce poêle est primordiale pour un fonctionnement efficace en toute sécurité.
- Installez la ventilation avec les dégagements indiqués par le fabricant du système de ventilation.
- Si un feu de cheminée ou de créosote se produit, appuyez immédiatement sur le bouton "off", ne pas débrancher l'appareil.
- NE PAS se connecter ou utiliser en conjonction avec n'importe quelle distribution conduit d'air, sauf accord spécifique de ces installations.
- Ne raccordez pas la ventilation des granulés à une ventilation utilisée par un autre appareil ou poêle.
- N'installez pas un registre de carreau dans le système de ventilation d'évacuation de cette unité.
- L'utilisation d'air extérieur n'est pas obligatoire pour cette unité.
- Contactez les fonctionnaires locaux de construction pour obtenir un permis et des renseignements sur les restrictions supplémentaires d'installation ou les exigences d'inspection dans votre région.
- Ne jetez pas ce manuel. Ce manuel contient d'importantes instructions de fonctionnement et de maintenance dont vous aurez besoin plus tard. Respectez toujours les instructions de ce manuel.
- Cet appareil est conçu pour être utilisé avec du combustible en granulés qui satisfait ou dépasse les normes établies par le Pellet Fuel Institute (PFI).
- N'utilisez pas d'essence, de combustible pour lanterne à essence, de kérosène, de liquide d'allumage de charbon ou de liquides similaires pour démarrer ou « raviver » un feu dans ce poêle. Maintenez tous ces liquides bien à l'écart du poêle lorsqu'il est utilisé.
- Un détecteur de fumée en état de marche doit être installé dans la même pièce que ce produit.
- Ne débranchez pas le poêle si vous suspectez un dysfonctionnement. Mettez l'interrupteur ON/OFF en position 'Off' (Arrêt) et contactez votre revendeur.
- Votre poêle requiert un entretien et un nettoyage périodique (Voir "Entretien"). Le fait de ne pas entretenir votre poêle peut entraîner un fonctionnement incorrect et/ou dangereux.
- Déconnectez le cordon d'alimentation avant d'effectuer tout travail d'entretien i REMARQUE: Mettre l'interrupteur ON/OFF (Marche/Arrêt) sur "OFF" ne coupe pas l'alimentation des composants électriques du poêle.
- Ne tentez jamais de réparer ou de remplacer une pièce du poêle à moins que des instructions pour le faire ne soient fournies dans ce manuel. Tous les autres travaux devront être effectués par un technicien qualifié.
- Ne faites pas fonctionner votre poêle avec la porte d'inspection ouverte. La vis sans fin n'approuvera pas la sécurité pour éviter à cause d'étincelles ou de fumées qui entreraient dans la pièce.
- Le système d'évacuation devra être contrôlé tous les mois pendant la saison de chauffage afin de détecter toute accumulation de suie ou de créosote.

- Ne touchez pas les surfaces chaudes du poêle. Informez tous les enfants des dangers d'un poêle à haute température. Les jeunes enfants devront être supervisés quand ils sont dans la pièce où se trouve le poêle.
- La trémie et le dessus du poêle seront chauds pendant l'utilisation ; par conséquent, vous devrez toujours utiliser une certaine protection au niveau des mains lorsque vous rechargez le poêle en combustible.
- Un para sur teneur est obligatoire. Cette unité doit être branchée à une prise de courant mise à la terre de 110 - 120 V, 60 Hz. N'utilisez pas de fiche d'adaptation et ne sectionnez pas la broche de mise à la terre. Ne faites pas passer le cordon électrique sous, devant ou au-dessus du poêle. Ne faites pas passer le cordon dans les passages et ne pincez pas le cordon sous du mobilier.
- Le chauffage ne fonctionnera pas pendant une coupure de courant. Si une coupure a lieu, vérifiez qu'il n'y ait pas de fumée s'échappant du poêle et ouvrez la fenêtre si de la fumée se propage dans la pièce.
- La porte d'alimentation doit être fermée et scellée pendant le fonctionnement.
- Ne bloquez jamais l'écoulement libre d'air à travers les conduits d'évacuation de l'unité.
- Maintenez les corps étrangers hors de la trémie.
- Les pièces en mouvement de ce poêle sont entraînées par des moteurs électriques de couple élevé. Maintenez toutes les parties du corps éloignées de la vis sans fin lorsque le poêle est raccordé à une prise de courant. Ces pièces en mouvement peuvent commencer à se déplacer à tout moment lorsque le poêle est branché.
- Ne placez pas de vêtements ou d'éléments inflammables sur ou près de ce poêle.
- Lorsque il est installé dans une maison mobile, le poêle doit être mis à la terre directement au châssis en acier et vissé au plancher. AVERTISSEMENT - CETTE UNITÉ NE DOIT PAS ETRE INSTALLÉE DANS LA CHAMBRE. ATTENTION-L'INTÉGRITÉ structurelle du plancher, des parois et du plafond/toit de la maison mobile doit être maintenue.
- Suie et cendres volantes: Formation et élimination - Les produits de combustion contiennent de petites particules de cendres volantes. La cendre volante va s'accumuler dans le système d'évacuation et de limiter le débit des gaz de combustion. La combustion incomplète, comme cela se produit lors du démarrage, l'arrêt, ou un fonctionnement incorrect du poêle entraînera une certaine formation de suie qui s'accumulera dans le système d'évacuation. Le système d'évacuation doit être inspecté au moins une fois par an afin de déterminer si un nettoyage est nécessaire. Cet appareil n'est pas prévu pour une utilisation commerciale.
- Cet appareil est un chauffage autonome. Il n'est pas prévu pour être raccordé à tout type de système de conduits. Ce n'est pas une chaudière.
- Laissez refroidir le poêle avant d'effectuer tout travail d'entretien ou de nettoyage. Les cendres doivent être jetées dans un conteneur métallique avec un couvercle d'ajustement serré. Le conteneur fermé dans lequel se trouvent les cendres devra être placé sur une surface non combustible ou sur le sol, bien à l'écart des matières combustibles, en attente de leur élimination finale.



HEARTH PRODUCTS

MODÈLE: AP130



CONSERVEZ CES INSTRUCTIONS. CE MANUEL VOUS AIDERA À OBTENIR UN SERVICE EFFICACE ET FIABLE À PARTIR DU RADIATEUR ET VOUS PERMETTRA DE COMMANDER CORRECTEMENT LES PIÈCES DE RÉPARATION. GARDEZ DANS UN ENDROIT SÛR POUR RÉFÉRENCE FUTURE.

- Veuillez lire entièrement ce manuel d'installation et d'utilisation AVANT de mettre en place et de faire fonctionner votre nouveau poêle à granulés de bois pour chauffage de pièce. Le fait de ne pas totalement assimiler ces instructions et de ne pas les appliquer peut entraîner des dégâts matériels et des blessures corporelles, et même être fatal.
- Si votre appareil de chauffage n'est pas correctement installé, il peut en résulter un départ d'incendie dans la maison. Pour la sécurité de tous, SUIVEZ toutes les instructions d'installation et d'utilisation.
- Veuillez contacter des officiers dans vos services locaux de la construction ou des incendies afin de connaître les restrictions et les exigences d'inspection, et déterminer si vous avez besoin d'un permis de construire.

AVERTISSEMENT CONCERNANT LA PROPOSITION 65 DE L'ÉTAT DE LA CALIFORNIE :
 Ce produit peut vous exposer à des agents chimiques, y compris au monoxyde de carbone, lesquels sont reconnus dans l'état de la Californie comme causant le cancer et des malformations congénitales ou autres dommages au fœtus. Pour obtenir plus de renseignements, veuillez consulter le site www.P65warnings.ca.gov

Certifié selon la norme ASTM E1509-12 (2017) et Certifié ULC S627, 2000
 Cet appareil n'est pas destiné à être utilisé en tant que principale source de chaleur.
U.S. Environmental Protection Agency
 Certifié aux normes d'émissions de 2020 à particules.

TOUTES LES PHOTOS MONTRÉES SONT UNIQUEMENT À DES FINS ILLUSTRATIVES. LE PRODUIT RÉEL PEUT VARIER EN RAISON DE L'AMÉLIORATION DU PRODUIT.

Ce manuel peut être modifié sans préavis.



United States Stove Company
 227 Industrial Park Rd.,
 South Pittsburg, TN 37380
 PH: (800) 750-2723
www.usstove.com

